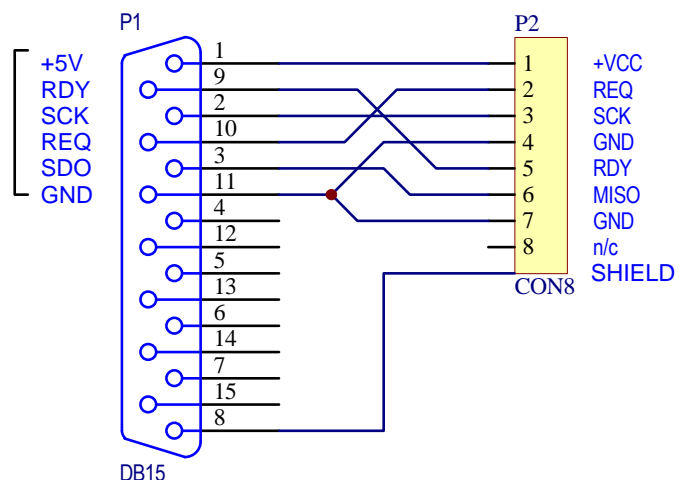


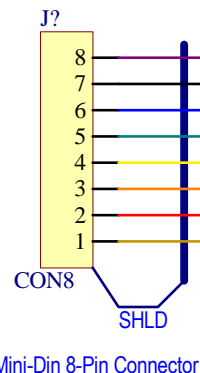
QT300

SUMP PUMP ADAPTER CABLE

QT300 SENSOR



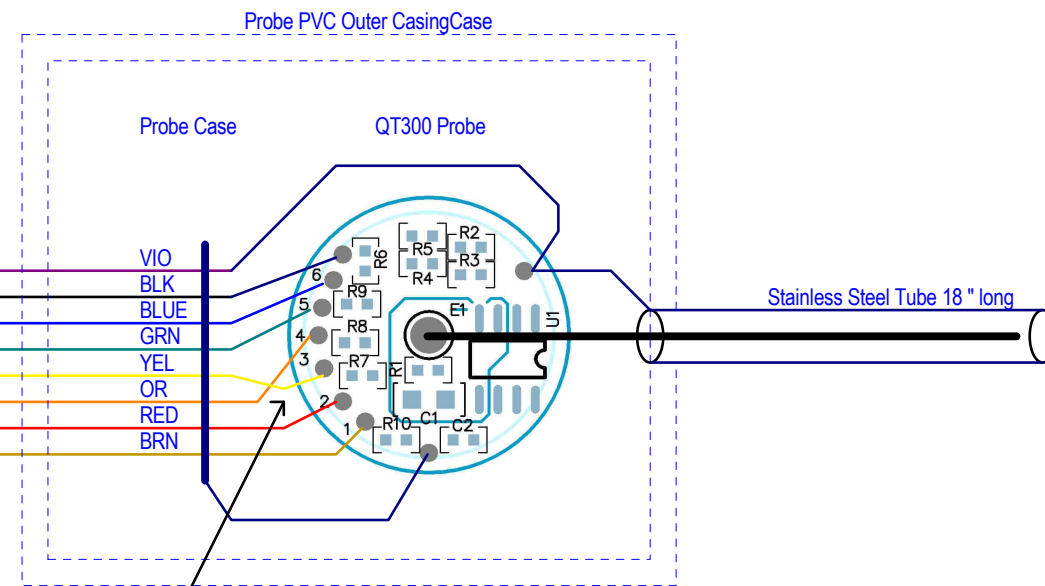
n/c  
GND  
MISO  
RDY  
GND  
SCK  
REQ  
+VCC



(Probe disconnect sense)

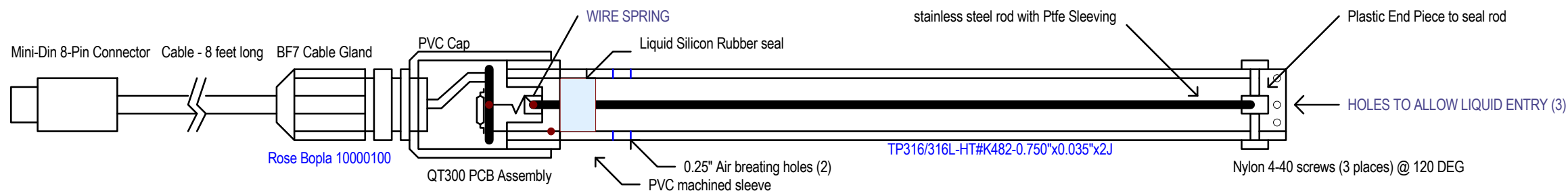
n/c  
GND  
SDO  
RDY  
GND  
SCK  
REQ  
+VCC

VIO  
BLK  
BLUE  
GRN  
YEL  
OR  
RED  
BRN



Note: 3 and 4 are crossed over

CONSTRUCTION SCHEMATIC



Note: Unless otherwise specified, all values are as follows:  
 resistor values are in Ohms, i.e. 0R47, 5R6, 220, 5K6, 22K  
 capacitor values are in Microfarads, i.e. 220p, 0u1, 2u2, 33  
 inductor values are in Microhenries, i.e. 0u22, 5u6, 68, 2m2

Last Used Components

--	--	--

Name: QT300 Liquid Level Meter

Prj. No.: 05034G

Title: QT300 Liquid Level Probe

Date: 27-May-2009

Size: A Drw. No.: 05034-QT300-LLP-E01

Rev: 0

Modified: Approved:

Last Change: PCB Name:

Scale:

By:

Time: 07:15:18

File: SENSOR\_WIRING.sch

Sheet 1 of 1