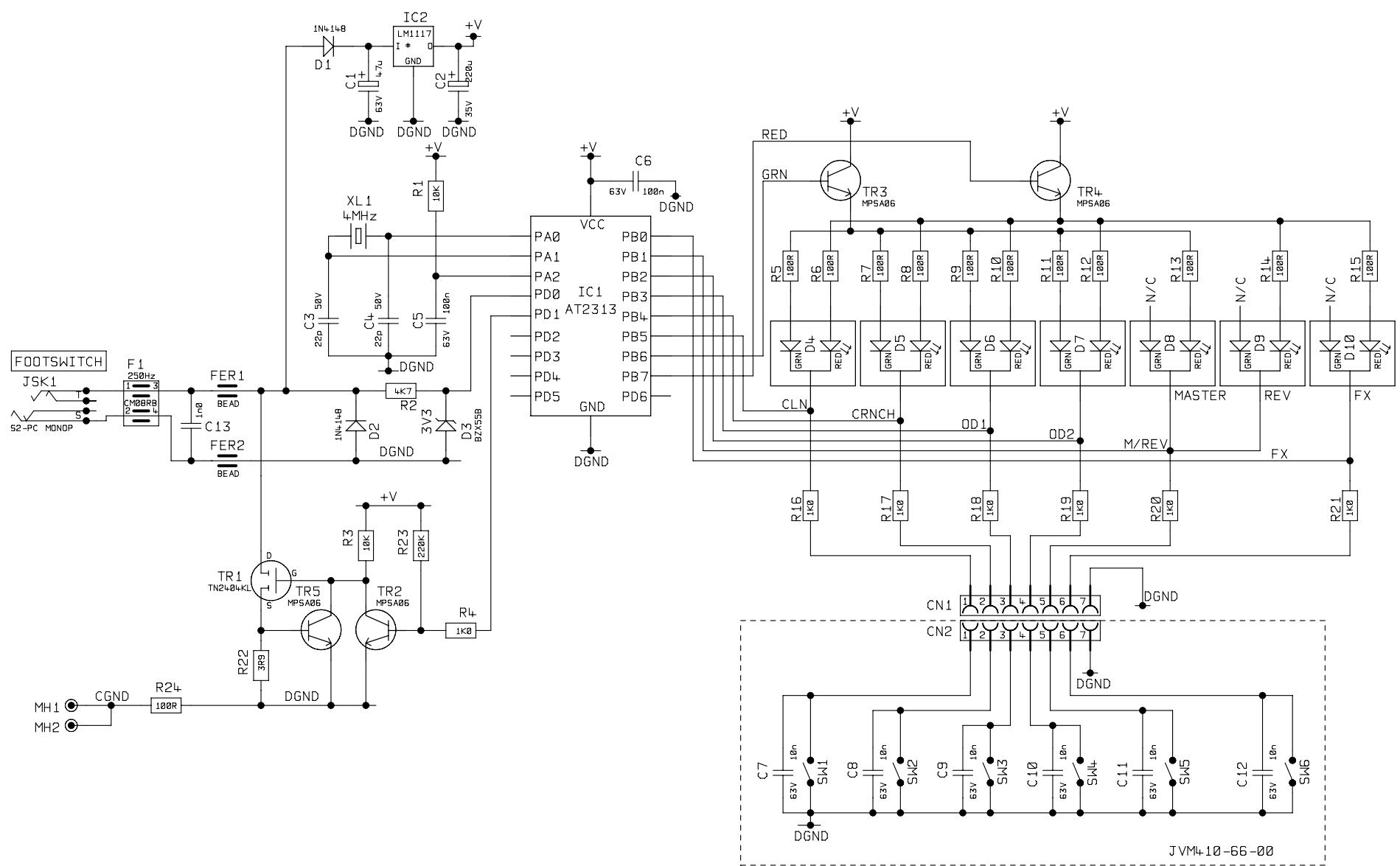


DWG.No. JVM4-10-67-02
 SHT 1 OF 1



DRAWN H.GILES MODEL JVM4-10	DATE 23/11/06	2 2041 28/11/06 1 PRODUCTION S.A. 23/11/06 ISS ECO NUMBER CHKD DATE	 <small>© MARSHALL AMPLIFICATION PLC DENBIGH ROAD, BLETCHLEY, MILTON KEYNES, MK1 1DB. TEL (01908) 375411 FAX (01908) 376118</small>	TITLE FOOTSWITCH DWG.No JVM4-10-67-02	SHT 1 OF 1 ISS 2
---	------------------	---	---	--	-------------------------------