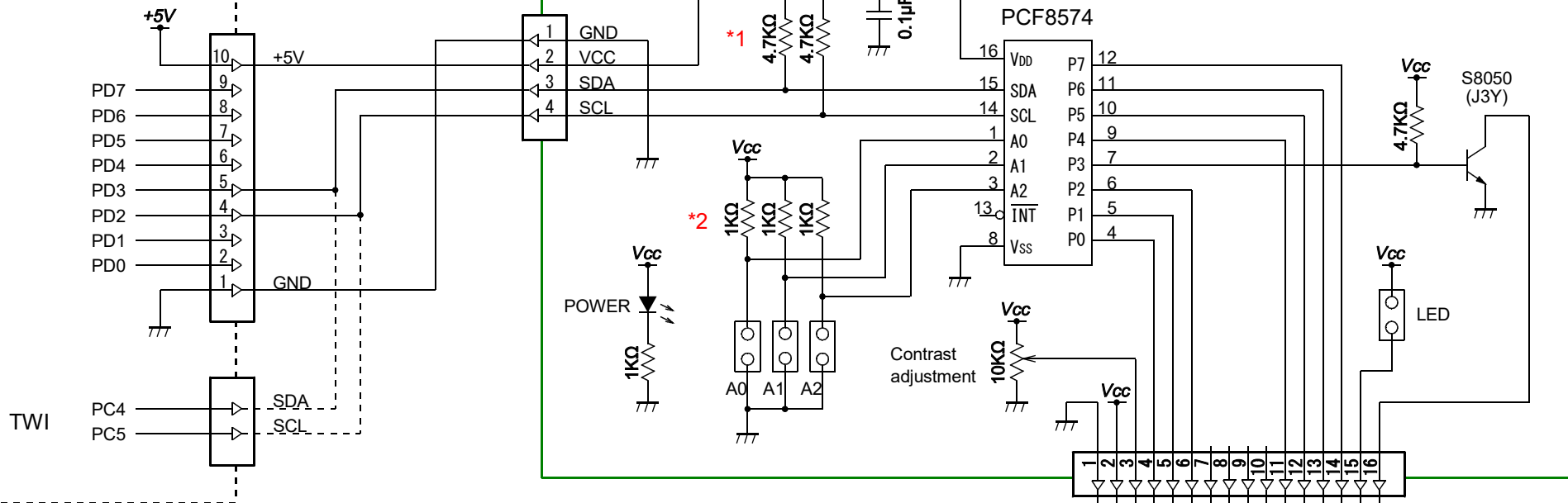
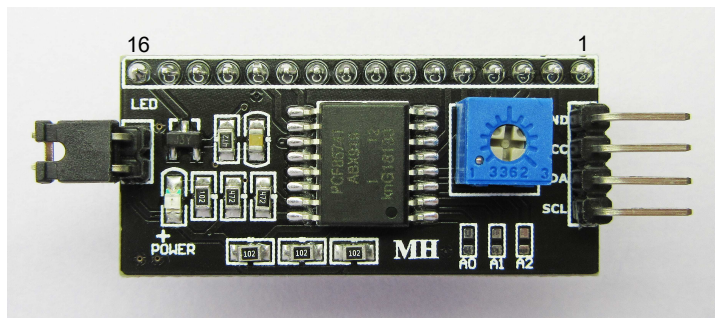


AVR board
or
Arduino

PCF8574 I2C LCD1602 Adapter board

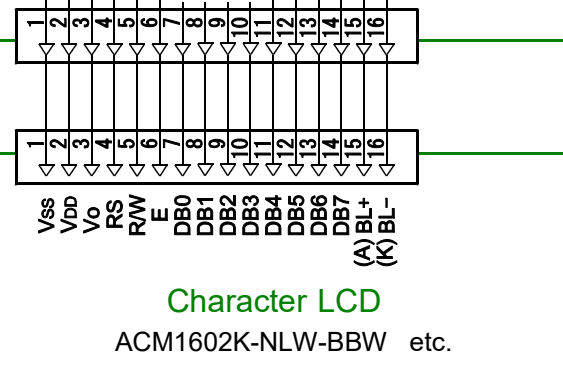


TWI



* 1 May be 10KΩ.

* 2 May be 10KΩ.



	設計	O-family	日付	2021. 3.16
名称	PCF8574 (I2C 8bit I/O expander) I2C LCD adapter schematic		図番	