

LM5165 3-V to 65-V Input, 150-mA Synchronous Buck Converter With Ultra-Low I_Q

1 Features

- Wide input voltage range of 3 V to 65 V
- 10.5- μ A no-load quiescent current
- -40°C to 150°C junction temperature range
- Fixed (3.3 V and 5 V) or adjustable output voltages
- Meets EN55022 / CISPR 22 EMI standards
- Integrated 2- Ω PMOS buck switch
 - Supports 100% duty cycle for low dropout
- Integrated 1- Ω NMOS synchronous rectifier
 - Eliminates external rectifier diode
- Programmable current limit setpoint (four levels)
- Selectable PFM or COT mode operation
- 1.223-V $\pm 1\%$ internal voltage reference
- 900- μ s internal or programmable soft start
- Active slew rate control for low EMI
- Diode emulation mode and pulse skipping for ultra-high light-load efficiency performance
- Monotonic start-up into prebiased output
- No loop compensation or bootstrap components
- Precision enable and input UVLO with hysteresis
- Pin-to-pin compatible with the [LM5166](#)
- Thermal shutdown protection with hysteresis
- 10-pin, 3-mm \times 3-mm VSON package
- Use [TPSM265R1](#) module for faster time to market
- Create a custom regulator design using [WEBENCH[®] Power Designer](#)

2 Applications

- [4–20 mA loop-powered sensors](#)
- [Automotive and battery-powered equipment](#)
- [High-voltage LDO replacement](#)
- [Industrial control systems](#)
- [General-purpose bias supplies](#)

3 Description

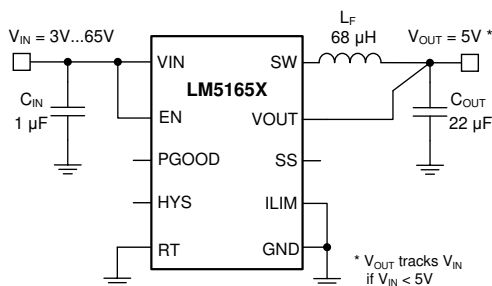
The LM5165 device is a compact, easy-to-use, 3-V to 65-V, ultra-low I_Q synchronous buck converter with high efficiency over wide input voltage and load current ranges. With integrated high-side and low-side power MOSFETs, up to 150-mA of output current can be delivered at fixed output voltages of 3.3 V or 5 V or at an adjustable output. The converter is designed to simplify implementation while providing options to optimize the performance for the target application. Pulse Frequency Modulation (PFM) mode is selected for optimal light-load efficiency or Constant On-Time (COT) control for nearly constant operating frequency. Both control schemes do not require loop compensation while providing excellent line and load transient response and short PWM on-time for large step-down conversion ratios.

The high-side P-channel MOSFET can operate at 100% duty cycle for lowest dropout voltage and does not require a bootstrap capacitor for gate drive. Also, the current limit setpoint is adjustable to optimize inductor selection for a particular output current requirement. Selectable and adjustable start-up timing options include minimum delay (no soft start), internally fixed (900 μ s), and externally programmable soft start using a capacitor. An open-drain PGOOD indicator can be used for sequencing, fault reporting, and output voltage monitoring. The LM5165 buck converter is available in a 10-pin, 3-mm \times 3-mm, thermally-enhanced VSON-10 package with 0.5-mm pin pitch.

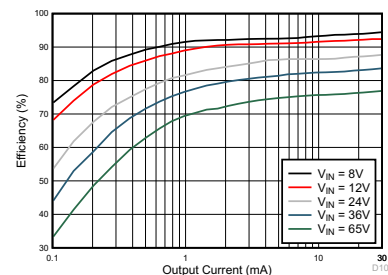
Device Information

| PART NUMBER | OUTPUT | PACKAGE ⁽¹⁾ |
|-------------|-------------|------------------------|
| LM5165 | Adjustable | VSON (10) |
| LM5165X | 5-V fixed | |
| LM5165Y | 3.3-V fixed | |

- (1) For all available packages, see the orderable addendum at the end of the data sheet.



Typical Schematic, Fixed Output



Typical Efficiency, $V_{OUT} = 5\text{ V}$



Table of Contents

| | | | |
|--|----|--|----|
| 1 Features | 1 | 8 Applications and Implementation | 20 |
| 2 Applications | 1 | 8.1 Application Information..... | 20 |
| 3 Description | 1 | 8.2 Typical Applications..... | 20 |
| 4 Revision History | 2 | 9 Power Supply Recommendations | 35 |
| 5 Pin Configuration and Functions | 3 | 10 Layout | 35 |
| 6 Specifications | 4 | 10.1 Layout Guidelines..... | 35 |
| 6.1 Absolute Maximum Ratings..... | 4 | 10.2 Layout Example..... | 37 |
| 6.2 ESD Ratings..... | 4 | 11 Device and Documentation Support | 38 |
| 6.3 Recommended Operating Conditions..... | 4 | 11.1 Device Support..... | 38 |
| 6.4 Thermal Information..... | 4 | 11.2 Documentation Support..... | 38 |
| 6.5 Electrical Characteristics..... | 5 | 11.3 Receiving Notification of Documentation Updates.. | 39 |
| 6.6 Switching Characteristics..... | 6 | 11.4 Support Resources..... | 39 |
| 6.7 Typical Characteristics..... | 7 | 11.5 Trademarks..... | 39 |
| 7 Detailed Description | 12 | 11.6 Electrostatic Discharge Caution..... | 39 |
| 7.1 Overview..... | 12 | 11.7 Glossary..... | 39 |
| 7.2 Functional Block Diagram..... | 12 | 12 Mechanical, Packaging, and Orderable Information | 39 |
| 7.3 Feature Description..... | 13 | | |
| 7.4 Device Functional Modes..... | 19 | | |

4 Revision History

| Changes from Revision B (July 2017) to Revision C (December 2020) | Page |
|--|------|
| • Added link to TPSM265R1..... | 1 |
| • Updated the numbering format for tables, figures and cross-references throughout the document..... | 1 |
| Changes from Revision A (March 2016) to Revision B (July 2017) | Page |
| • Changed EN absolute maximum voltage from (VIN + 0.3 V) to 68 V..... | 4 |
| • Deleted note 5 under <i>Absolute Maximum Ratings</i> table..... | 4 |
| • Changed EN operating voltage from VIN to 65 V..... | 4 |
| • Deleted note 2 under <i>Recommended Operating Conditions</i> table..... | 4 |
| • Changed RT resistor equation divisor from 1.6 to 1.75 and updated Table 1 accordingly..... | 13 |
| • Added link to TI Design TIDA-00666..... | 20 |
| • Added more information in the <i>Device and Documentation Support</i> section..... | 38 |
| Changes from Revision * (February 2016) to Revision A (March 2016) | Page |
| • Product Preview to Production Data Release | 1 |

5 Pin Configuration and Functions

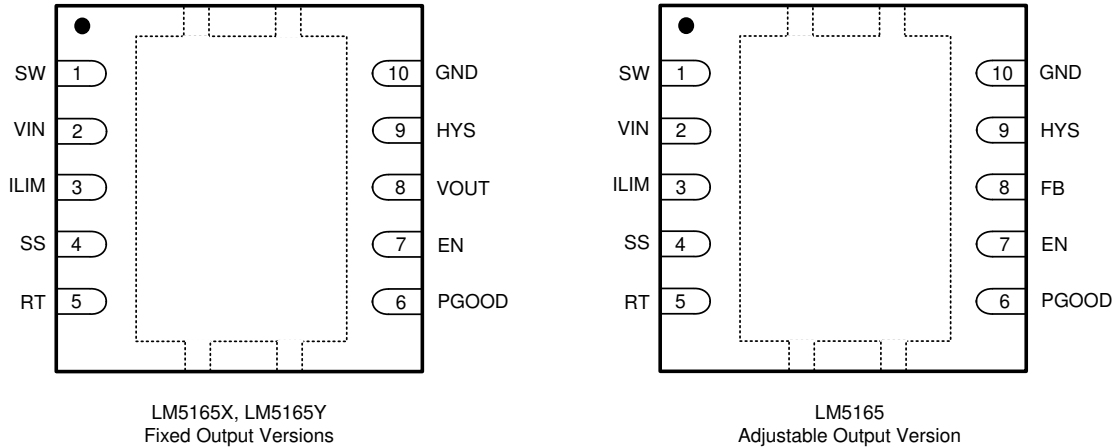


Figure 5-1. DRC Package 10-Pin VSON With Exposed Thermal Pad (Top View)

Table 5-1. Pin Functions

| PIN | | TYPE ⁽¹⁾ | DESCRIPTION |
|-----|---------|---------------------|--|
| NO. | NAME | | |
| 1 | SW | P | Switching node that is internally connected to the drain of the high-side PMOS buck switch and the drain of the low-side NMOS synchronous rectifier. Connect to the switching side of the power inductor. |
| 2 | VIN | P | Regulator supply input pin to high-side power MOSFET and internal bias rail LDO. Connect to input supply and input capacitor C _{IN} . Path from VIN to the input capacitor must be as short as possible. |
| 3 | ILIM | I | Programming pin for current limit. Connecting the appropriate resistor from ILIM to GND selects one of four preset current limit options. Short ILIM to GND for the maximum current setting. |
| 4 | SS | I | Programming pin for the soft-start time. If a 100-kΩ resistor is connected from SS to GND, the internal soft-start circuit is disabled and the FB comparator reference steps immediately from zero to full value when the regulator is enabled by the EN input. If the SS pin is left open, the internal soft-start circuit ramps the FB reference from zero to full value in 900 μs. If an appropriate capacitance is connected to the SS pin, the soft-start time can be programmed as required. |
| 5 | RT | I | Mode selection and on-time programming pin for Constant On-Time (COT) control. Short RT to GND to select PFM (pulse frequency modulation) operation. Connect a resistor from RT to GND to program the on-time, which sets the switching frequency for COT. |
| 6 | PGOOD | O | Power Good output flag pin. PGOOD is connected to the drain of an NFET that holds the pin low when either FB or VOUT is below the regulation target. Use a pullup resistor of 10 kΩ to 100 kΩ to the system voltage rail or VOUT (no higher than 12 V). |
| 7 | EN | I | Input pin of the precision enable / UVLO comparator. The converter is enabled when the EN voltage is greater than 1.212 V. |
| 8 | VOUT/FB | I | Feedback input to voltage regulation loop. The VOUT pin connects the internal feedback resistor divider to the regulator output voltage for fixed 3.3-V and 5-V options. The FB pin connects the internal feedback comparator to an external resistor divider for the adjustable output voltage option. The FB comparator reference voltage is nominally 1.223 V. |
| 9 | HYS | O | Drain of an internal NFET that is turned off when the EN input is greater than the EN threshold. An external resistor from HYS to the EN pin UVLO resistor divider programs the input UVLO hysteresis voltage. |
| 10 | GND | G | Regulator ground return |
| — | PAD | P | Exposed pad. Connect to the GND pin and system ground on PCB. Path to C _{IN} must be as short as possible. |

(1) P = Power, G = Ground, I = Input, O = Output.

6 Specifications

6.1 Absolute Maximum Ratings

Over the recommended operating junction temperature range of -40°C to 150°C (unless otherwise noted).^{(1) (2)}

| | | MIN | MAX | UNIT |
|--|--|------|------------------------|--------------------|
| VIN, EN to GND | | -0.3 | 68 | V |
| SW to GND | | -0.7 | $V_{\text{VIN}} + 0.3$ | V |
| | 20-ns transient | -3 | | V |
| PGOOD, VOUT ⁽³⁾ to GND | Survives short to automotive battery voltage | -0.3 | 16 | V |
| HYS to GND | | -0.3 | 7 | V |
| ILIM, SS, RT, FB ⁽⁴⁾ to GND | | -0.3 | 3.6 | V |
| Maximum junction temperature, T_j | | -40 | 150 | $^{\circ}\text{C}$ |
| Storage temperature, T_{stg} | | -55 | 150 | $^{\circ}\text{C}$ |

- (1) Stresses beyond those listed under *Absolute Maximum Ratings* may cause permanent damage to the device. These are stress ratings only, and functional operation of the device at these or any other conditions beyond those indicated under *Recommended Operating Conditions* is not implied. Exposure to absolute-maximum-rated conditions may affect device reliability.
- (2) If Military/Aerospace specified devices are required, please contact the Texas Instruments Sales Office/Distributors for availability and specifications.
- (3) Fixed output versions.
- (4) Adjustable output version.

6.2 ESD Ratings

| | | VALUE | UNIT |
|--|--|------------|------|
| V_{ESD} Electrostatic discharge | Human body model (HBM), per ANSI/ESDA/JEDEC JS-001, all pins ⁽¹⁾ | ± 2000 | V |
| | Charged device model (CDM), per JEDEC specification JESD22-C101, all pins ⁽²⁾ | ± 1000 | |

- (1) JEDEC document JEP155 states that 500-V HBM allows safe manufacturing with a standard ESD control process.
- (2) JEDEC document JEP157 states that 250-V CDM allows safe manufacturing with a standard ESD control process.

6.3 Recommended Operating Conditions

Over the recommended operating junction temperature range of -40°C to 150°C (unless otherwise noted)⁽¹⁾.

| | | MIN | MAX | UNIT |
|----------------|--------------------------------|------|-----|--------------------|
| Input voltages | VIN | 3 | 65 | V |
| | EN | -0.3 | 65 | |
| | PGOOD | -0.3 | 12 | |
| | HYS | -0.3 | 5.5 | |
| Output current | I_{OUT} (COT mode) | 0 | 150 | mA |
| | I_{OUT} (PFM mode) | 0 | 100 | |
| Temperature | Operating junction temperature | -40 | 150 | $^{\circ}\text{C}$ |

- (1) Operating Ratings are conditions under which the device is intended to be functional. For specifications and test conditions, see [Electrical Characteristics](#).

6.4 Thermal Information

| THERMAL METRIC ⁽¹⁾ | | LM5165 | UNIT |
|-------------------------------|--|------------|-----------------------------|
| | | DRC (VSON) | |
| | | 10 PINS | |
| $R_{\theta\text{JA}}$ | Junction-to-ambient thermal resistance | 47.7 | $^{\circ}\text{C}/\text{W}$ |
| $R_{\theta\text{JC(top)}}$ | Junction-to-case (top) thermal resistance | 59.9 | $^{\circ}\text{C}/\text{W}$ |
| $R_{\theta\text{JB}}$ | Junction-to-board thermal resistance | 22.1 | $^{\circ}\text{C}/\text{W}$ |
| ψ_{JT} | Junction-to-top characterization parameter | 1 | $^{\circ}\text{C}/\text{W}$ |

| THERMAL METRIC ⁽¹⁾ | | LM5165 | | UNIT |
|-------------------------------|--|------------|--|------|
| | | DRC (VSON) | | |
| | | 10 PINS | | |
| Ψ_{JB} | Junction-to-board characterization parameter | 22.2 | | °C/W |
| $R_{\theta JC(bot)}$ | Junction-to-case (bottom) thermal resistance | 4 | | °C/W |

(1) For more information about traditional and new thermal metrics, see the [IC Package Thermal Metrics](#) application report.

6.5 Electrical Characteristics

Typical values correspond to $T_J = 25^\circ\text{C}$. Minimum and maximum limits apply over the -40°C to $+125^\circ\text{C}$ junction temperature range. $V_{IN} = 12\text{ V}$ (unless otherwise noted).^{(1) (2)}

| PARAMETER | | TEST CONDITIONS | MIN | TYP | MAX | UNIT |
|------------------------------|---|--|-------|-------|-------|---------------|
| QUIESCENT CURRENTS | | | | | | |
| I_{Q-SHD} | VIN DC supply current, shutdown | $V_{EN} = 0\text{ V}$, $T_A = 25^\circ\text{C}$ | | 4.6 | 6 | μA |
| $I_{Q-SLEEP}$ | VIN DC supply current, no load | $V_{FB} = 1.5\text{ V}$, $T_A = 25^\circ\text{C}$ | | 10.5 | 15 | μA |
| $I_{Q-SLEEP-VINMAX}$ | VIN DC supply current, no load | $V_{FB} = 1.5\text{ V}$, $V_{VIN} = 65\text{ V}$, $T_A = 25^\circ\text{C}$ | | 11 | 15 | μA |
| $I_{Q-ACTIVE-PFM}$ | VIN DC supply current, active | PFM mode | | 205 | | μA |
| $I_{Q-ACTIVE-COT}$ | VIN DC supply current, active | COT mode, $R_{RT} = 107\text{ k}\Omega$ | | 300 | | μA |
| POWER SWITCHES | | | | | | |
| R_{DSON1} | High-side MOSFET $R_{DS(on)}$ | $I_{SW} = -10\text{ mA}$ | | 2 | | Ω |
| R_{DSON2} | Low-side MOSFET $R_{DS(on)}$ | $I_{SW} = 10\text{ mA}$ | | 1 | | Ω |
| CURRENT LIMITING | | | | | | |
| $I_{LIM1-VSON}$ | High-side peak current threshold VSON-10 package | ILIM shorted to GND | 220 | 240 | 264 | mA |
| $I_{LIM2-VSON}$ | | $R_{ILIM} = 24.9\text{ k}\Omega$ | 155 | 180 | 205 | |
| $I_{LIM3-VSON}$ | | $R_{ILIM} = 56.2\text{ k}\Omega$ | 100 | 120 | 145 | |
| $I_{LIM4-VSON}$ | | $R_{ILIM} \geq 100\text{ k}\Omega$ | 48 | 60 | 75 | |
| REGULATION COMPARATOR | | | | | | |
| V_{VOUT50} | VOUT 5-V DC setpoint | LM5165X | 4.9 | 5 | 5.1 | V |
| V_{VOUT33} | VOUT 3.3-V DC setpoint | LM5165Y | 3.23 | 3.3 | 3.37 | V |
| I_{VOUT} | VOUT pin input current | $V_{VOUT} = 5\text{ V}$, LM5165X | 6.7 | | | μA |
| | | $V_{VOUT} = 3.3\text{ V}$, LM5165Y | 3.9 | | | |
| V_{REF1} | Lower FB regulation threshold (PFM, COT) | Adjustable output version | 1.205 | 1.223 | 1.241 | V |
| V_{REF2} | Upper FB regulation threshold (PFM) | | 1.22 | 1.233 | 1.246 | |
| $FB_{HYS-PFM}$ | FB comparator PFM hysteresis | PFM mode | 10 | | | mV |
| $FB_{HYS-COT}$ | FB comparator dropout hysteresis | COT mode | 4 | | | mV |
| I_{FB} | FB pin input bias current | $V_{FB} = 1\text{ V}$ | 100 | | | nA |
| $FB_{LINE-REG}$ | FB threshold variation over line | $V_{VIN} = 3\text{ V to }65\text{ V}$ | 0.001 | | | %/V |
| $V_{OUT_LINE-REG}$ | VOUT threshold variation over line | LM5165X, $V_{VIN} = 6\text{ V to }65\text{ V}$ LM5165Y, $V_{VIN} = 4.5\text{ V to }65\text{ V}$ | 0.001 | | | %/V |
| POWER GOOD | | | | | | |
| UVT_{RISING} | PGOOD comparator | FB voltage rising, relative to V_{REF1} | 94% | | | |
| $UVT_{FALLING}$ | | FB voltage falling, relative to V_{REF1} | 87% | | | |
| R_{PGOOD} | PGOOD on-resistance | $V_{FB} = 1\text{ V}$ | 80 | 200 | | Ω |
| $V_{INMIN-PGOOD}$ | Minimum VIN for valid PGOOD | V_{VIN} falling, $I_{PGOOD} = 0.1\text{ mA}$, $V_{PGOOD} < 0.5\text{ V}$ | 1.2 | 1.65 | | V |
| I_{PGOOD} | PGOOD off-state leakage current | $V_{FB} = 1.2\text{ V}$, $V_{PGOOD} = 5.5\text{ V}$ | 10 | 100 | | nA |
| ENABLE / UVLO | | | | | | |
| V_{IN-ON} | Turnon threshold | VIN voltage rising | 2.6 | 2.75 | 2.95 | V |
| V_{IN-OFF} | Turnoff threshold | VIN voltage falling | 2.35 | 2.45 | 2.6 | V |

6.5 Electrical Characteristics (continued)

Typical values correspond to $T_J = 25^\circ\text{C}$. Minimum and maximum limits apply over the -40°C to $+125^\circ\text{C}$ junction temperature range. $V_{IN} = 12\text{ V}$ (unless otherwise noted).^{(1) (2)}

| PARAMETER | | TEST CONDITIONS | MIN | TYP | MAX | UNIT |
|-------------------------|-------------------------------|--|-------|-------|-------|------------------|
| V_{EN-ON} | Enable turnon threshold | EN voltage rising | 1.163 | 1.212 | 1.262 | V |
| V_{EN-OFF} | Enable turnoff threshold | EN voltage falling | 1.109 | 1.144 | 1.178 | V |
| V_{EN-HYS} | Enable hysteresis | | | 68 | | mV |
| V_{EN-SD} | EN shutdown threshold | EN voltage falling | 0.3 | 0.6 | | V |
| R_{HYS} | HYS on-resistance | $V_{EN} = 1\text{ V}$ | | 80 | 200 | Ω |
| I_{HYS} | HYS off-state leakage current | $V_{EN} = 1.5\text{ V}$, $V_{HYS} = 5.5\text{ V}$ | | 10 | 100 | nA |
| SOFT-START | | | | | | |
| I_{SS} | Soft-start charging current | $V_{SS} = 1\text{ V}$ | | 10 | | μA |
| T_{SS-INT} | Soft-start rise time | SS floating | | 900 | | μs |
| THERMAL SHUTDOWN | | | | | | |
| T_{J-SD} | Thermal shutdown threshold | | | 170 | | $^\circ\text{C}$ |
| $T_{J-SD-HYS}$ | Thermal shutdown hysteresis | | | 10 | | $^\circ\text{C}$ |

- (1) All hot and cold limits are specified by correlating the electrical characteristics to process and temperature variations and applying statistical process control.
- (2) The junction temperature (T_J in $^\circ\text{C}$) is calculated from the ambient temperature (T_A in $^\circ\text{C}$) and power dissipation (P_D in Watts) as follows: $T_J = T_A + (P_D \times R_{\theta JA})$ where $R_{\theta JA}$ (in $^\circ\text{C}/\text{W}$) is the package thermal impedance provided in [Section 6.4](#).

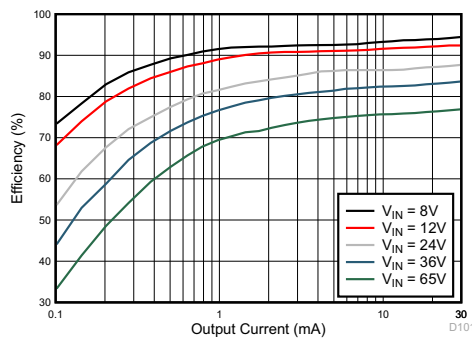
6.6 Switching Characteristics

Over operating free-air temperature range (unless otherwise noted).

| PARAMETER | | TEST CONDITIONS | MIN | TYP | MAX | UNIT |
|--------------|----------------------------------|------------------------------|-----|------|-----|------|
| T_{ON-MIN} | Minimum controllable PWM on-time | | | 180 | | ns |
| T_{ON1} | PWM on-time | 16 k Ω from RT to GND | | 250 | | ns |
| T_{ON2} | PWM on-time | 75 k Ω from RT to GND | | 1000 | | ns |

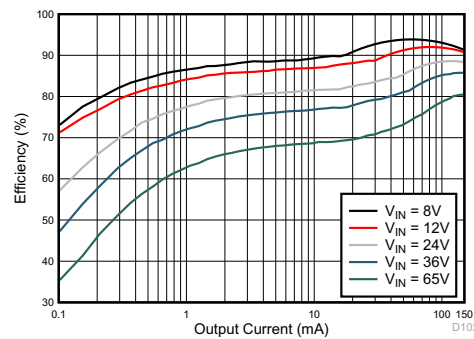
6.7 Typical Characteristics

Unless otherwise specified, $V_{IN} = 12\text{ V}$, $V_{OUT} = 5\text{ V}$. Please refer to [Typical Applications](#) for circuit designs.



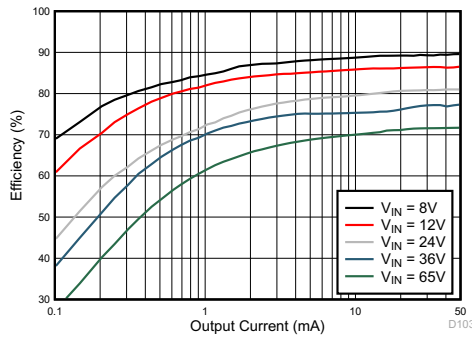
5-V, 25-mA Design $L_F = 470\ \mu\text{H}$ $F_{SW(nom)} = 100\ \text{kHz}$
 $C_{OUT} = 47\ \mu\text{F}$ $R_{ILIM} \geq 100\ \text{k}\Omega$

Figure 6-1. Converter Efficiency: 5 V, 25 mA, PFM



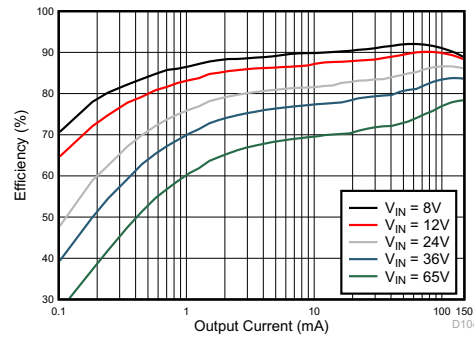
See schematic, $L_F = 220\ \mu\text{H}$ $F_{SW(nom)} = 230\ \text{kHz}$
[Figure 8-1](#) $C_{OUT} = 22\ \mu\text{F}$ $R_{RT} = 133\ \text{k}\Omega$

Figure 6-2. Converter Efficiency: 5 V, 150 mA, COT



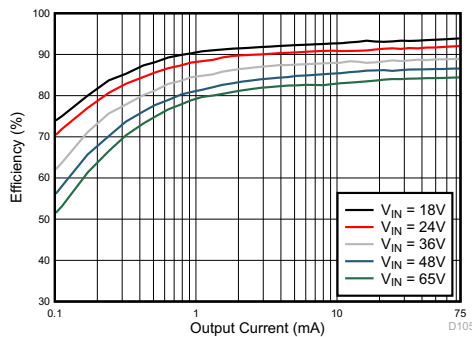
See schematic, $L_F = 47\ \mu\text{H}$ $F_{SW(nom)} = 350\ \text{kHz}$
[Figure 8-14](#) $C_{OUT} = 10\ \mu\text{F}$ $R_{ILIM} = 56.2\ \text{k}\Omega$

Figure 6-3. Converter Efficiency: 3.3 V, 50 mA, PFM



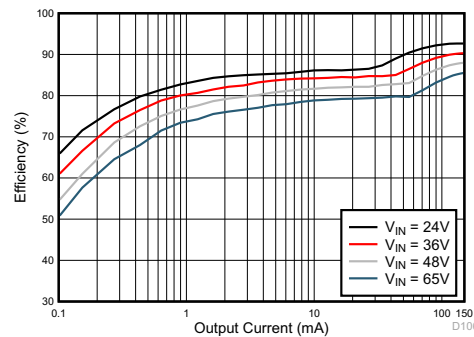
See schematic, $L_F = 150\ \mu\text{H}$ $F_{SW(nom)} = 160\ \text{kHz}$
[Figure 8-26](#) $C_{OUT} = 22\ \mu\text{F}$ $R_{RT} = 121\ \text{k}\Omega$

Figure 6-4. Converter Efficiency: 3.3 V, 150 mA, COT



See schematic, $L_F = 47\ \mu\text{H}$ $F_{SW(nom)} = 500\ \text{kHz}$
[Figure 8-21](#) $C_{OUT} = 10\ \mu\text{F}$ $R_{ILIM} = 24.9\ \text{k}\Omega$

Figure 6-5. Converter Efficiency: 12 V, 75 mA, PFM



See schematic, $L_F = 150\ \mu\text{H}$ $F_{SW(nom)} = 600\ \text{kHz}$
[Figure 8-29](#) $C_{OUT} = 10\ \mu\text{F}$ $R_{RT} = 143\ \text{k}\Omega$

Figure 6-6. Converter Efficiency: 15 V, 150 mA, COT

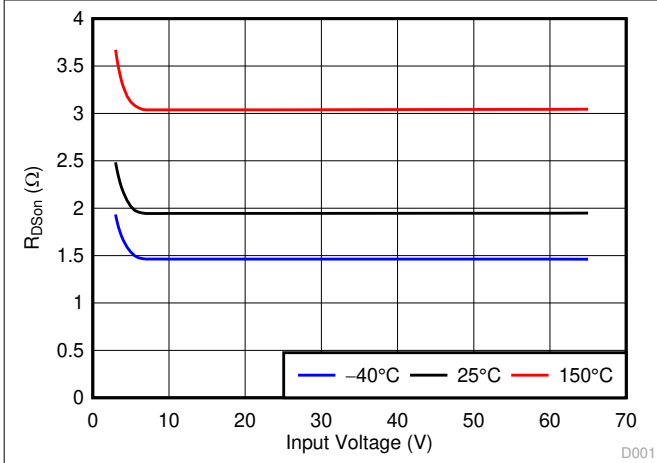


Figure 6-7. High-Side MOSFET On-State Resistance vs Input Voltage

D001

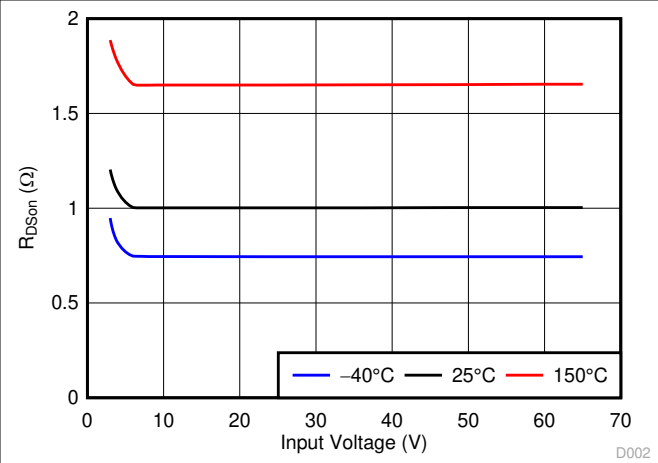


Figure 6-8. Low-Side MOSFET On-State Resistance vs Input Voltage

D002

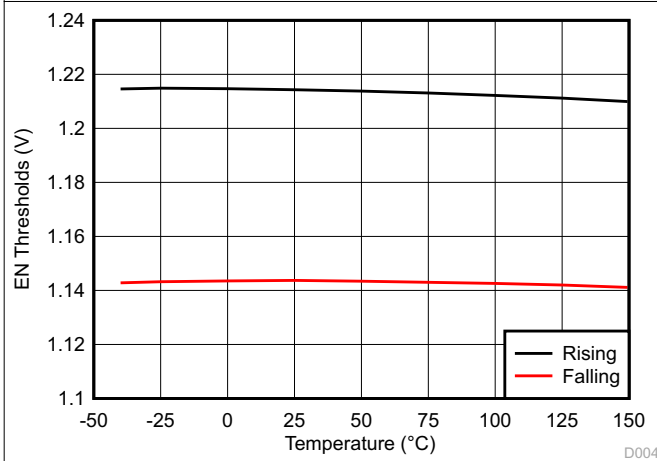


Figure 6-9. Enable Threshold Voltage vs Temperature

D004

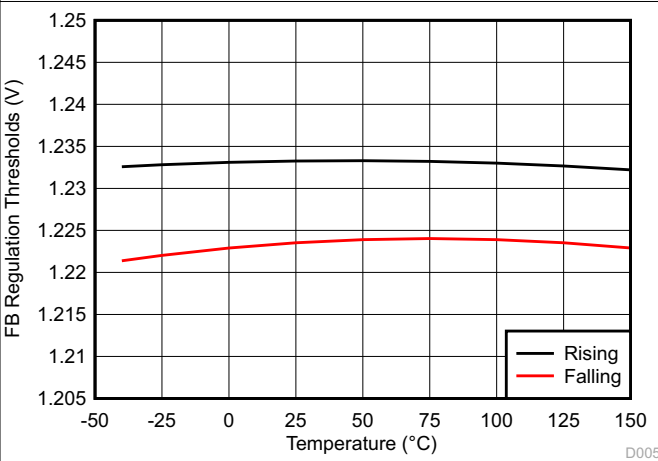


Figure 6-10. Feedback Comparator Voltage vs Temperature

D005

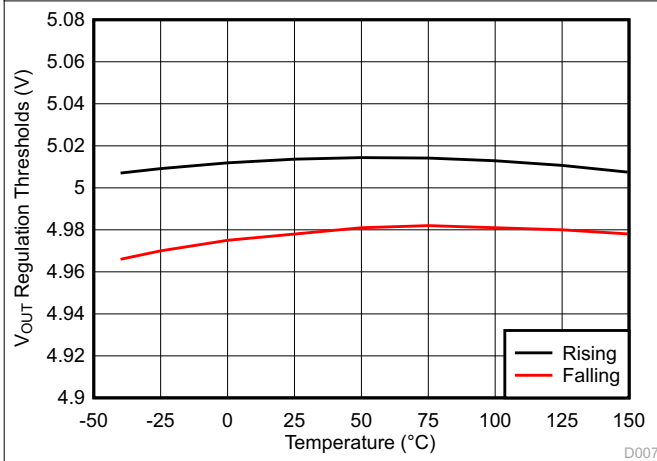


Figure 6-11. VOUT Regulation Thresholds vs Temperature

LM5165X

D007

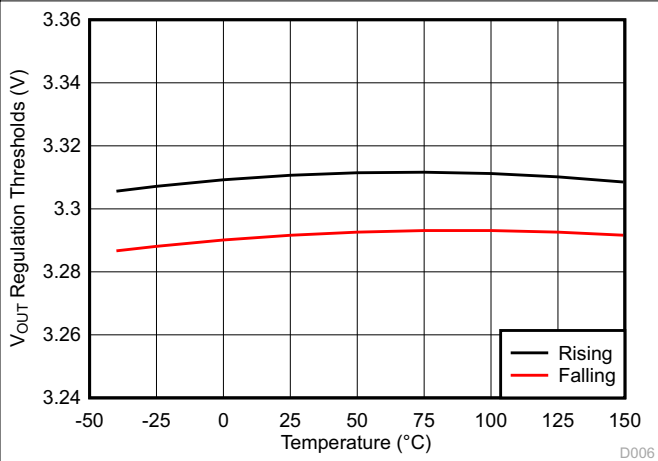


Figure 6-12. VOUT Regulation Thresholds vs Temperature

LM5165Y

D006

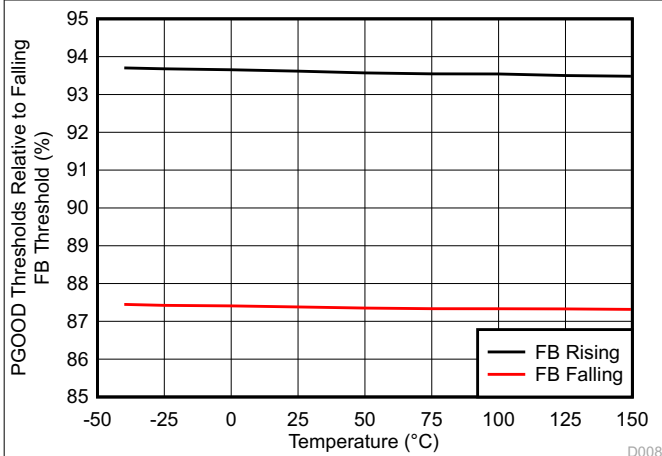


Figure 6-13. PGOOD Thresholds vs Temperature

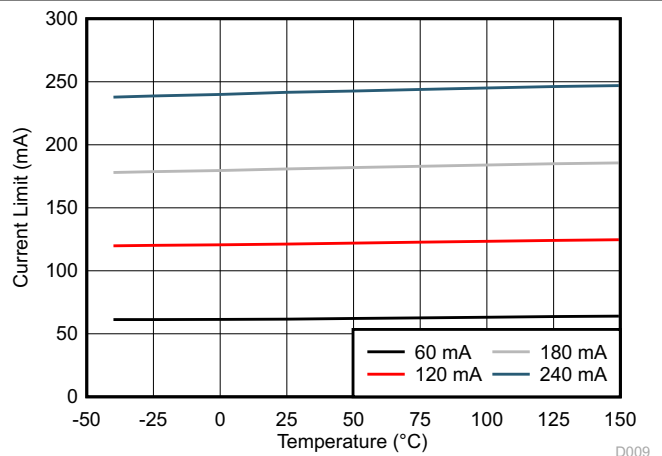


Figure 6-14. Peak Current Limits vs Temperature

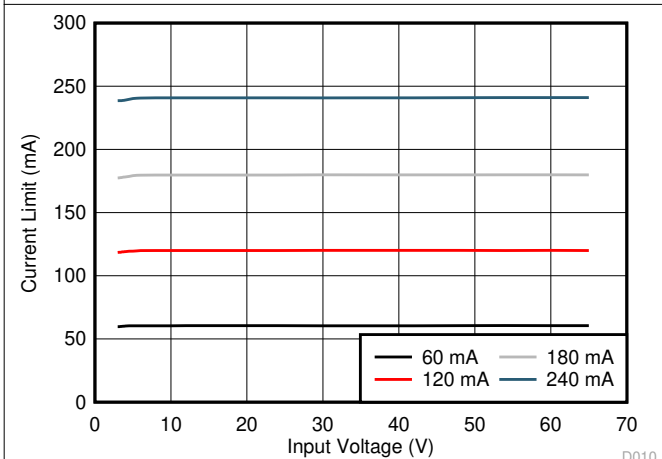


Figure 6-15. Peak Current Limits vs Input Voltage

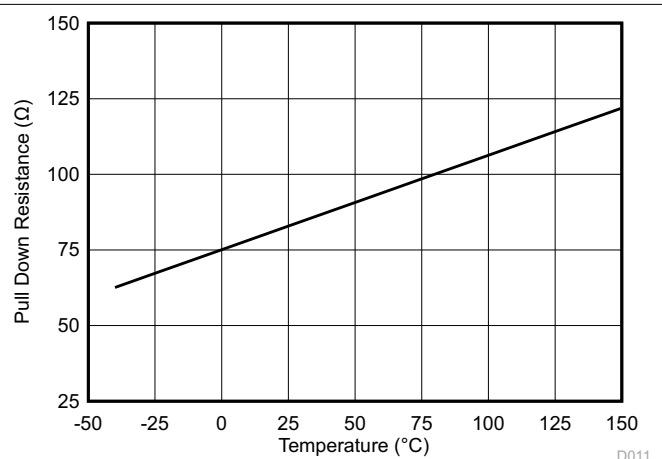


Figure 6-16. PGOOD and HYS Pulldown $R_{DS(on)}$ vs Temperature

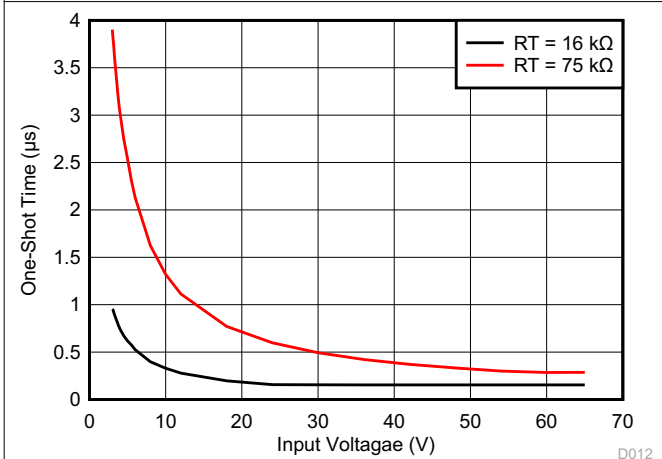


Figure 6-17. COT One-Shot Timer T_{ON} vs Input Voltage

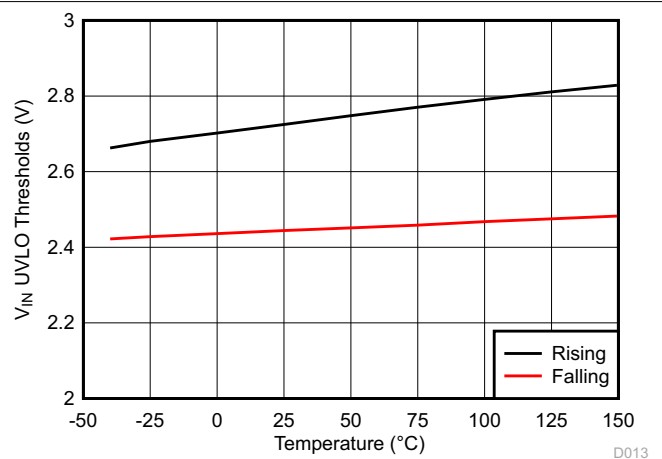


Figure 6-18. Internal V_{IN} UVLO Voltage vs Temperature

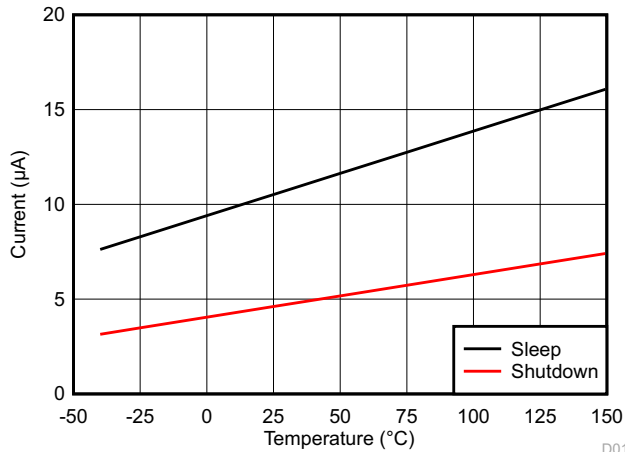


Figure 6-19. VIN Sleep and Shutdown Supply Current vs Temperature

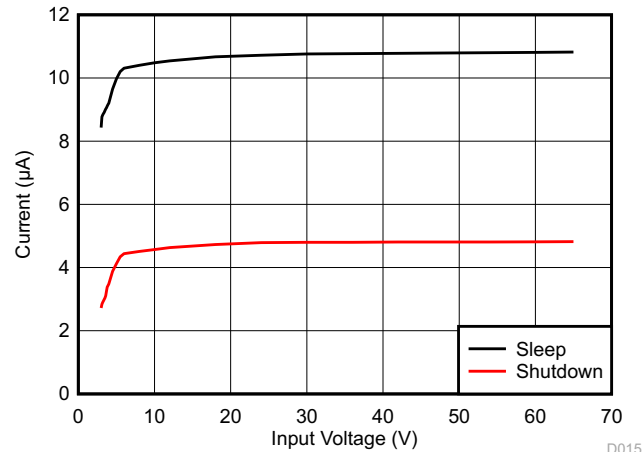
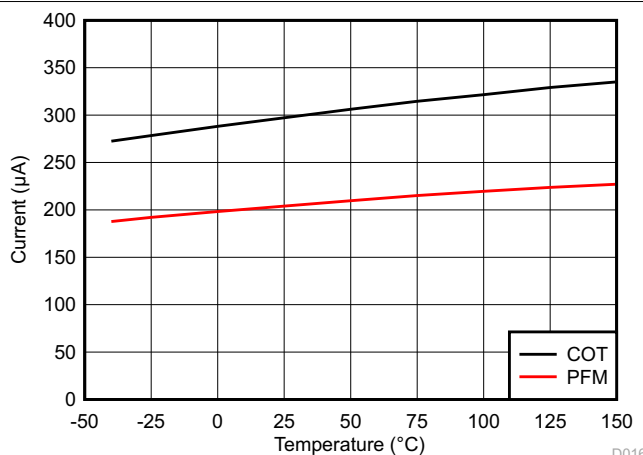
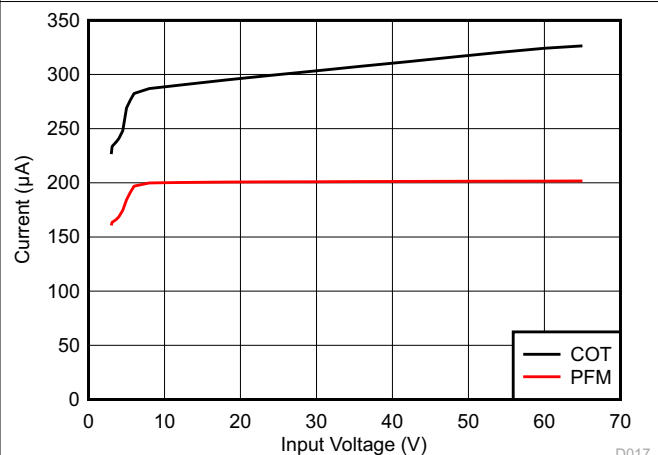


Figure 6-20. VIN Sleep and Shutdown Supply Current vs Input Voltage



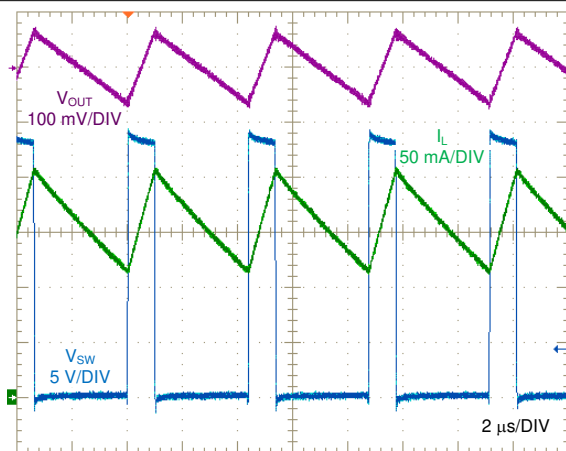
$R_{RT} = 75 \text{ k}\Omega$

Figure 6-21. VIN Active Mode Supply Current vs Temperature



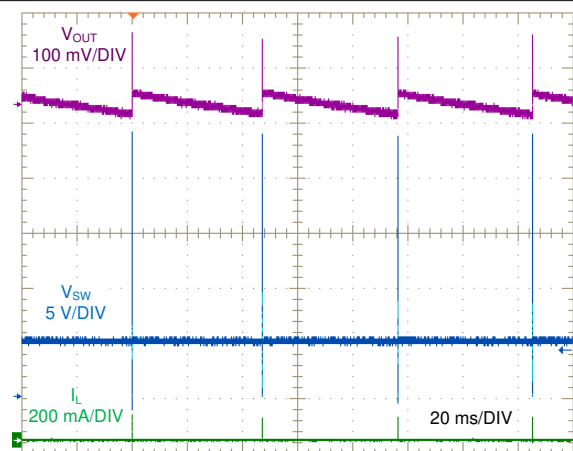
$R_{RT} = 75 \text{ k}\Omega$

Figure 6-22. VIN Active Mode Supply Current vs Input Voltage



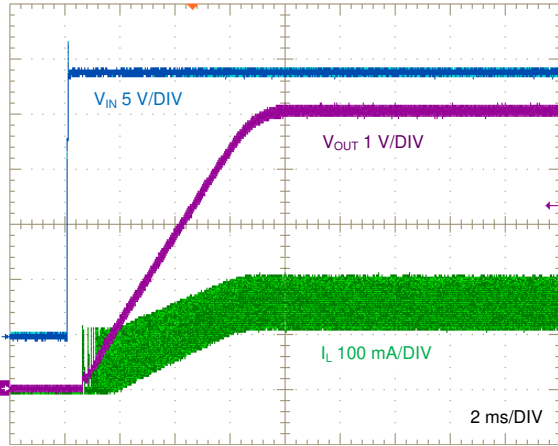
5-V, 150-mA Design

Figure 6-23. Full Load Switching Waveforms, COT



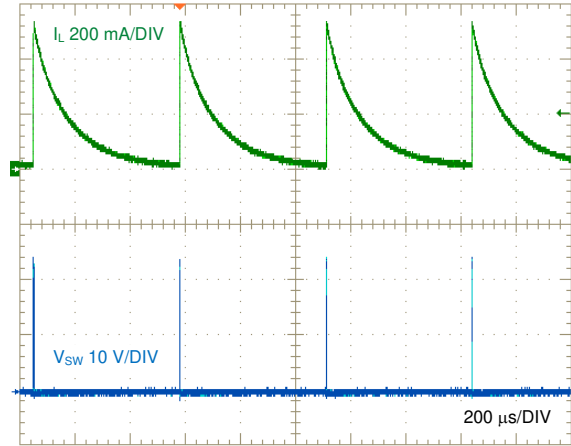
5-V, 150-mA Design

Figure 6-24. No Load Switching Waveforms, COT



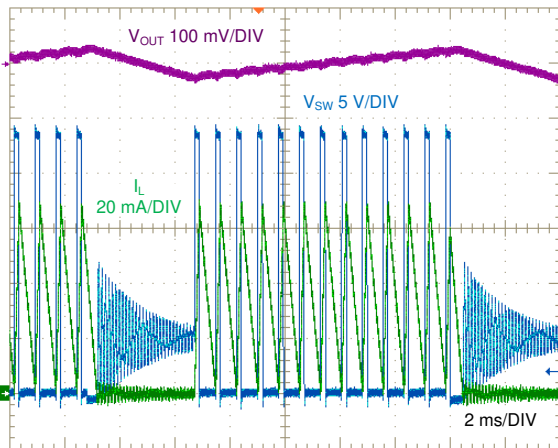
5-V, 150-mA Design

Figure 6-25. Full Load Start-Up, COT



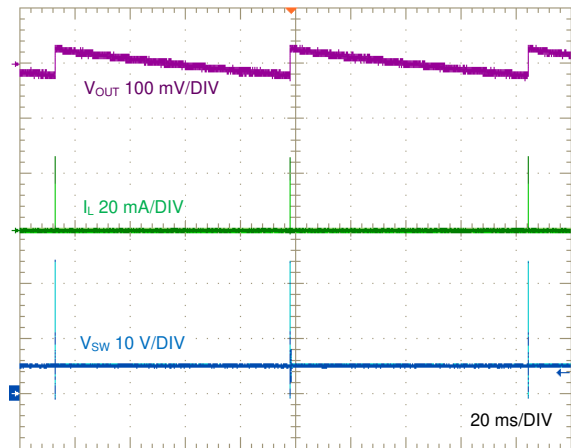
5-V, 150-mA Design

Figure 6-26. Short Circuit, COT



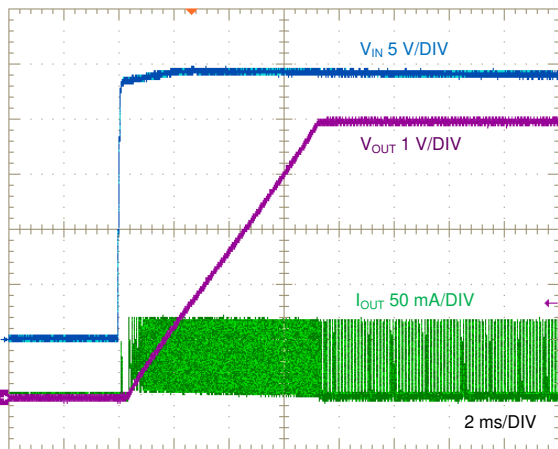
5-V, 25-mA Design

Figure 6-27. Full Load Switching Waveforms, PFM



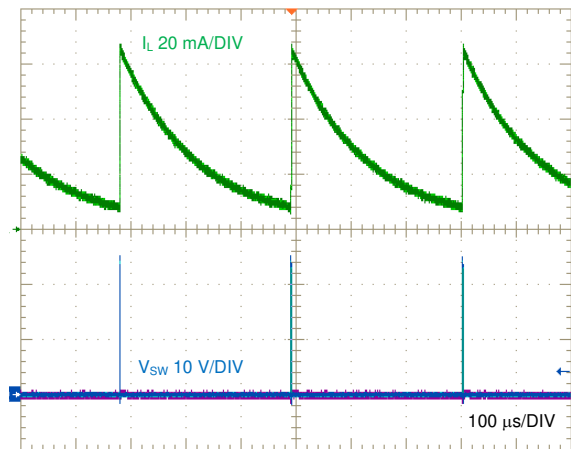
5-V, 25-mA Design

Figure 6-28. No Load Switching Waveforms, PFM



5-V, 25-mA Design

Figure 6-29. Full Load Start-Up, PFM



5-V, 25-mA Design

Figure 6-30. Short Circuit, PFM

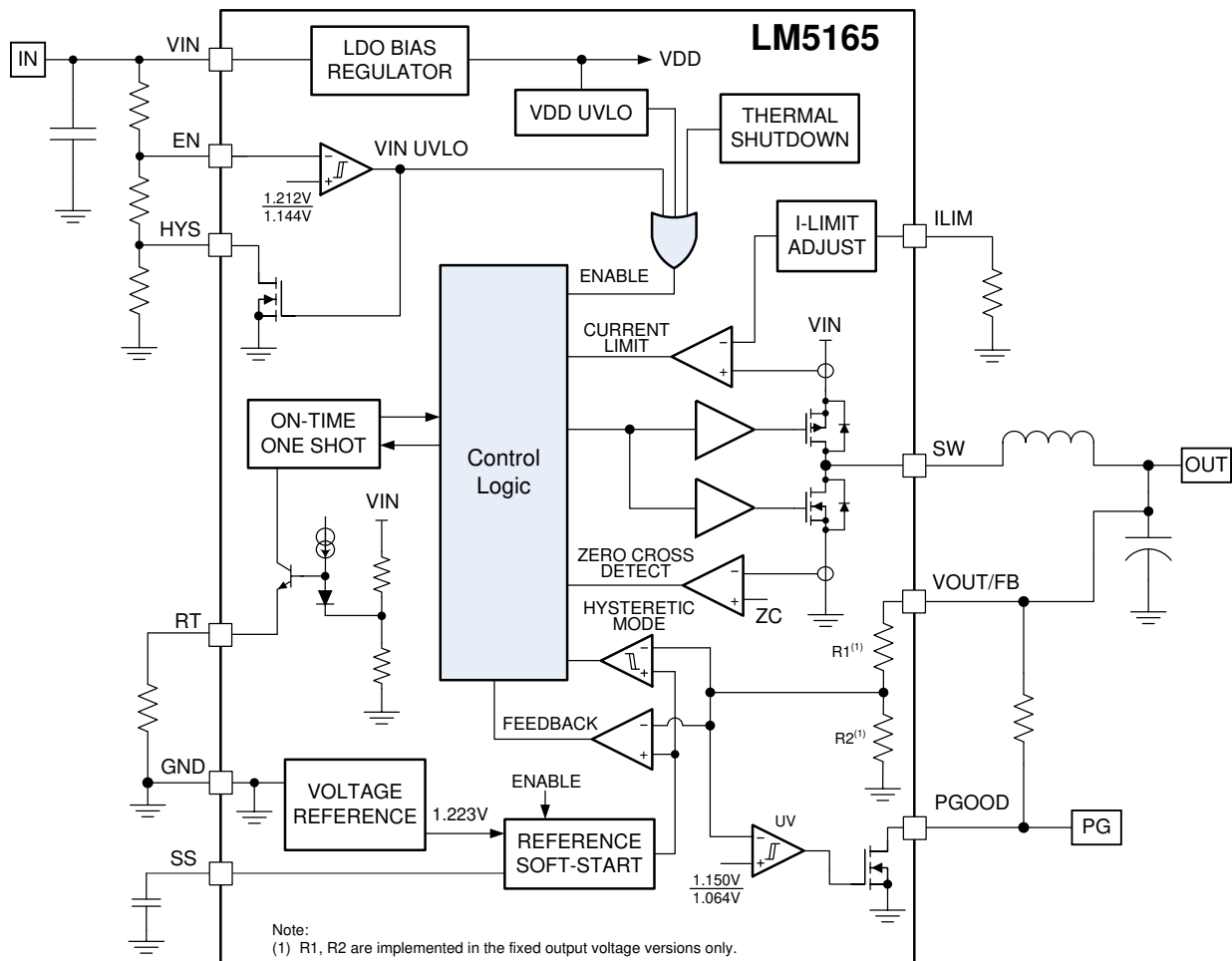
7 Detailed Description

7.1 Overview

The LM5165 converter is an easy-to-use synchronous buck DC-DC regulator that operates from a 3-V to 65-V supply voltage. The device is intended for step-down conversions from 3.3-V, 5-V, 12-V, 24-V, and 48-V unregulated, semi-regulated and fully-regulated supply rails. With integrated high-side and low-side power MOSFETs, the LM5165 delivers up to 150-mA DC load current with high efficiency and ultra-low input quiescent current in a very small solution size. Designed for simple implementation, a choice of operating modes offers flexibility to optimize its usage according to the target application. In constant on-time (COT) mode of operation, ideal for low-noise, high current, fast load transient requirements, the device operates with predictive on-time switching pulse. A quasi-fixed switching frequency over the input voltage range is achieved by using an input voltage feedforward to set the on-time. Alternatively, pulse frequency modulation (PFM) mode, complemented by an adjustable peak current limit, achieves exceptional light-load efficiency performance. Control loop compensation is not required with either operating mode, reducing design time and external component count.

The LM5165 incorporates other features for comprehensive system requirements, including an open-drain Power Good circuit for power-rail sequencing and fault reporting, internally-fixed or externally-adjustable soft-start, monotonic start-up into prebiased loads, precision enable with customizable hysteresis for programmable line undervoltage lockout (UVLO), adjustable cycle-by-cycle current limit for optimal inductor sizing, and thermal shutdown with automatic recovery. These features enable a flexible and easy-to-use platform for a wide range of applications. The pin arrangement is designed for simple [Layout](#), requiring only a few external components.

7.2 Functional Block Diagram



7.3 Feature Description

7.3.1 Integrated Power MOSFETs

The LM5165 is a step-down buck converter with integrated high-side PMOS buck switch and low-side NMOS synchronous switch. During the high-side MOSFET on-time, the SW voltage V_{SW} swings up to approximately V_{IN} , and the inductor current increases with slope $(V_{IN} - V_{OUT})/L_F$. When the high-side MOSFET is turned off by the control logic, the low-side MOSFET turns on after an adaptive deadtime. Inductor current flows through the low-side MOSFET with slope $-V_{OUT}/L_F$. Duty cycle D is defined as T_{ON}/T_{SW} , where T_{ON} is the high-side MOSFET conduction time and T_{SW} is the switching period.

7.3.2 Selectable PFM or COT Mode Converter Operation

Figure 7-1 and Figure 7-2 show converter schematics for PFM and COT modes of operation.

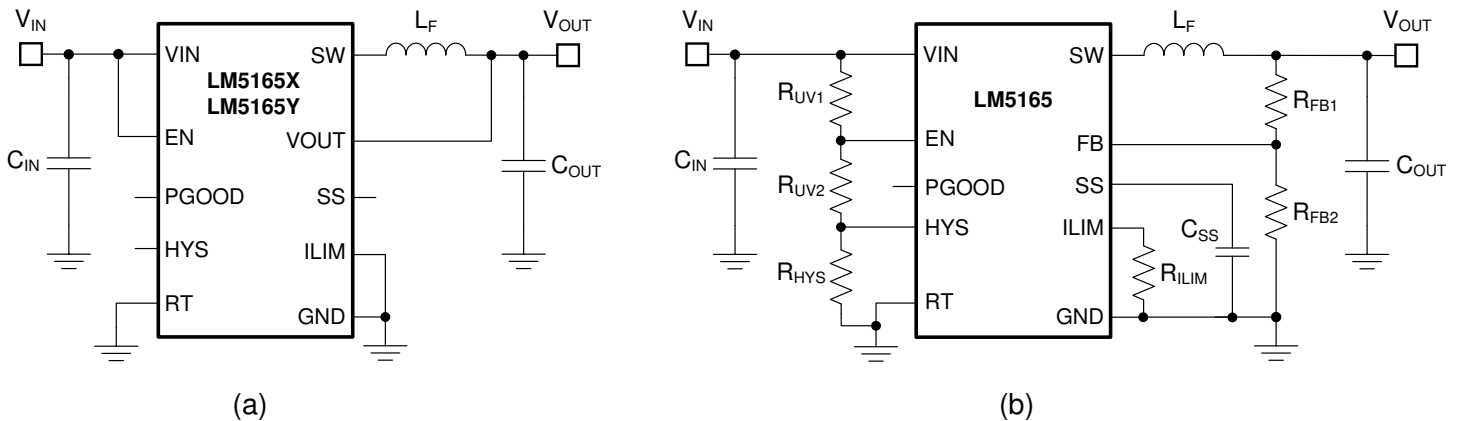


Figure 7-1. PFM Mode Converter Schematics: (a) Fixed Output Voltage of 5 V or 3.3 V, (b) Adjustable Output Voltage With Programmable Soft Start, Current Limit, and UVLO

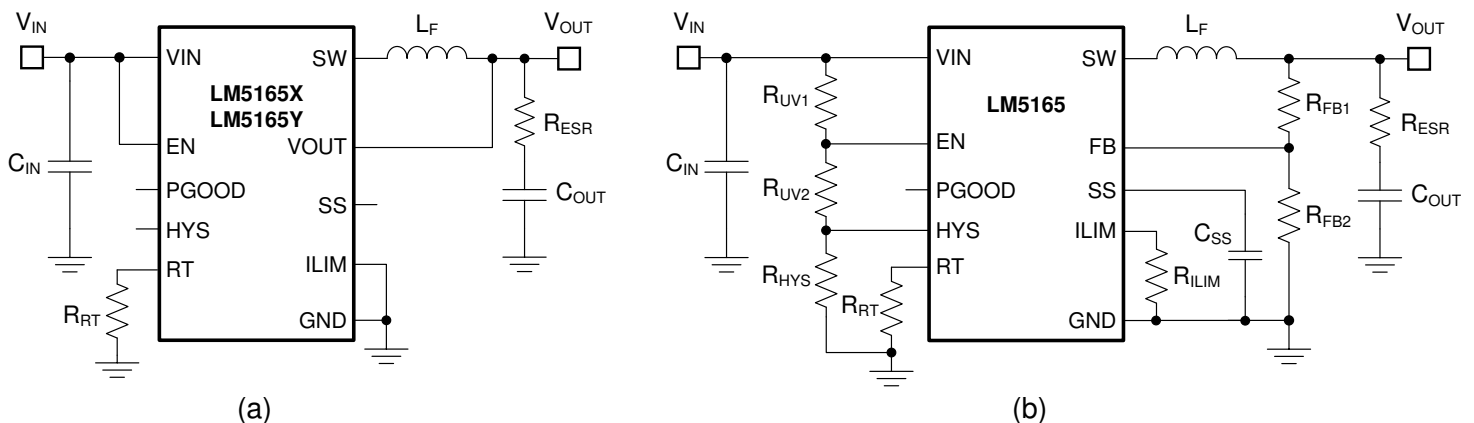


Figure 7-2. COT Mode Converter Schematics: (a) Fixed Output Voltage of 5 V or 3.3 V, (b) Adjustable Output Voltage With Programmable Soft Start, Current Limit, and UVLO

The LM5165 operates in PFM mode when RT is shorted to GND. Configured as such, the LM5165 behaves as a hysteretic voltage regulator operating in boundary conduction mode, controlling the output voltage within upper and lower hysteresis levels according to the PFM feedback comparator hysteresis of 10 mV. Figure 7-3 is a representation of the relevant output voltage and inductor current waveforms. The LM5165 provides the required switching pulses to recharge the output capacitor, followed by a sleep period where most of the internal circuits are shut off. The load current is supported by the output capacitor during this time, and the LM5165 current consumption approaches the sleep quiescent current of 10.5 μA . The sleep period duration depends on load current and output capacitance.

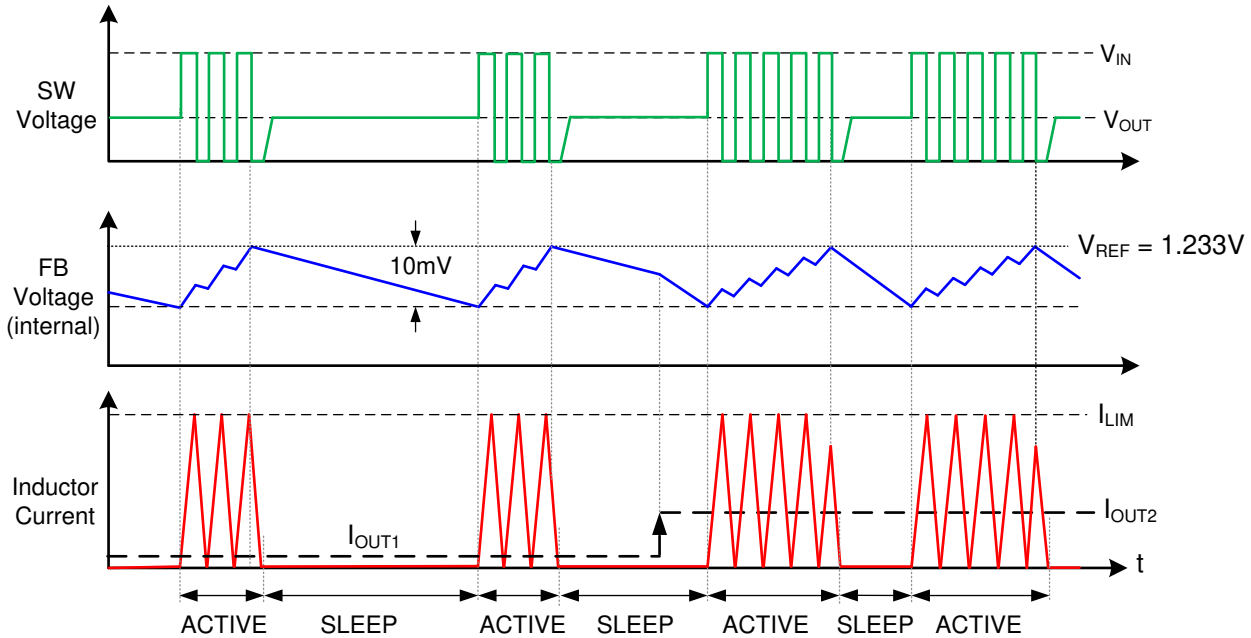


Figure 7-3. PFM Mode SW Node Voltage, Feedback Voltage, and Inductor Current Waveforms

When operating in PFM mode at given input and output voltages, the chosen filter inductance dictates the PFM pulse frequency in [Equation 1](#):

$$F_{SW(PFM)} = \frac{V_{OUT}}{L_F \cdot I_{PK(PFM)}} \cdot \left(1 - \frac{V_{OUT}}{V_{IN}} \right) \quad (1)$$

where

- $I_{PK(PFM)}$ corresponds to one of the four programmable levels for peak limit of inductor current. See [Adjustable Current Limit](#) for more detail.

Configured in COT mode, the LM5165 based converter turns on the high-side MOSFET with on-time inversely proportional to V_{IN} to operate with essentially fixed switching frequency when in continuous conduction mode (CCM). Diode emulation mode (DEM) prevents negative inductor current, and pulse skipping maintains highest efficiency at light load currents by decreasing the effective switching frequency. The COT-controlled LM5165 waveforms in CCM and DEM are represented in [Figure 7-4](#). The PWM on-time is set by resistor R_{RT} connected from RT to GND as shown in [Figure 7-2](#). The control loop maintains a constant output voltage by adjusting the PWM off-time.

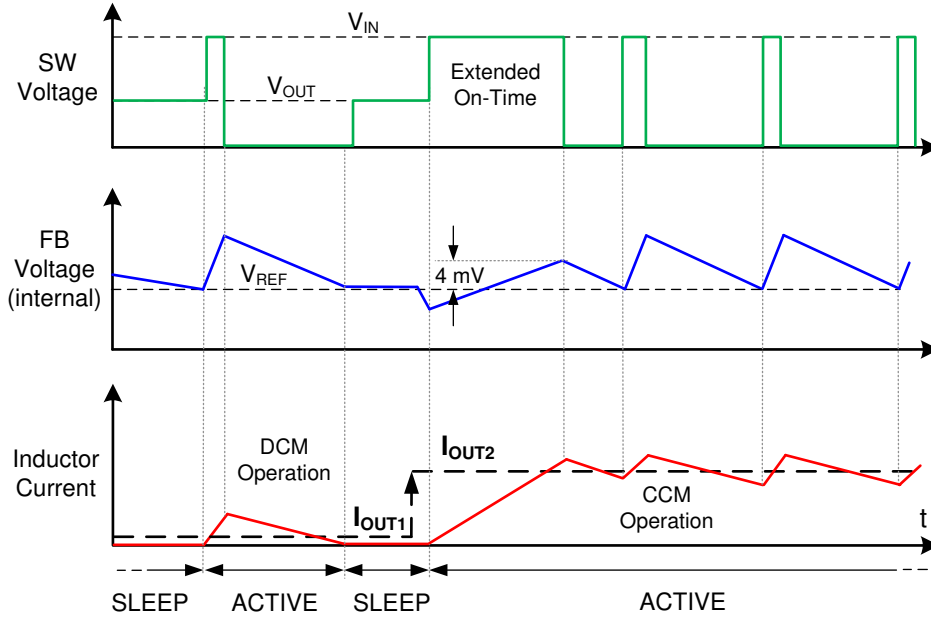


Figure 7-4. COT Mode SW Node Voltage, Feedback Voltage, and Inductor Current Waveforms

The required on-time adjust resistance for a particular frequency is given in [Equation 2](#) and tabulated in [Table 7-1](#). The maximum programmable on-time is 15 μ s.

$$R_{RT} [k\Omega] = \frac{V_{OUT} [V]}{F_{SW} [kHz]} \cdot \frac{10^4}{1.75} \quad (2)$$

Table 7-1. On-Time Adjust Resistance (E96 EIA Values) for Various Switching Frequencies and Output Voltages

| F _{SW} (kHz) | R _{RT} (k Ω) | | | |
|-----------------------|-------------------------------|--------------------------|------------------------|-------------------------|
| | V _{OUT} = 1.8 V | V _{OUT} = 3.3 V | V _{OUT} = 5 V | V _{OUT} = 12 V |
| 100 | 102 | 187 | 287 | 681 |
| 200 | 51.1 | 95.3 | 143 | 240 |
| 300 | 34 | 63.4 | 95.3 | 226 |
| 400 | 25.5 | 47.5 | 71.5 | 169 |
| 500 | 20.5 | 37.4 | 57.6 | 137 |
| 600 | 16.9 | 31.6 | 47.5 | 115 |

The choice of control mode and switching frequency requires a compromise between conversion efficiency, quiescent current, and passive component size. Lower switching frequency implies reduced switching losses (including gate charge losses, transition losses, and so forth) and higher overall efficiency. Higher switching frequency, on the other hand, implies a smaller LC output filter and hence a more compact design. Lower inductance also helps transient response as the large-signal slew rate of inductor current increases. The ideal switching frequency in a given application is a tradeoff and thus is determined on a case-by-case basis. It relates to the input voltage, output voltage, most frequent load current level(s), external component choices, and circuit size requirement. At light loads, the PFM converter has a relatively longer sleep time interval and thus operates with lower input quiescent current and higher efficiency.

7.3.3 COT Mode Light-Load Operation

Diode emulation mode (DEM) operation occurs when the low-side MOSFET switches off as inductor valley current reaches zero. Here, the load current is less than half of the peak-to-peak inductor current ripple in CCM. Turning off the low-side MOSFET at zero current reduces switching loss, and preventing negative current conduction reduces conduction loss. Power conversion efficiency is thus higher in a DEM converter than an equivalent forced-PWM CCM converter. With DEM operation, the duration that both power MOSFETs remain off progressively increases as load current decreases.

7.3.4 Low Dropout Operation and 100% Duty Cycle Mode

If R_{DSON1} and R_{DSON2} are the high-side and low-side MOSFET on-state resistances, respectively, and R_{DCR} is the inductor DC resistance, the duty cycle in COT (CCM) or PFM mode is given by [Equation 3](#).

$$D = \frac{V_{\text{OUT}} + (R_{\text{DSON2}} + R_{\text{DCR}}) \cdot I_{\text{OUT}}}{V_{\text{IN}} - (R_{\text{DSON1}} - R_{\text{DSON2}}) \cdot I_{\text{OUT}}} \approx \frac{V_{\text{OUT}}}{V_{\text{IN}}} \quad (3)$$

The LM5165 offers a low input voltage to output voltage dropout by engaging the high-side MOSFET at 100% duty cycle. In COT mode, a frequency foldback feature effectively extends maximum duty cycle to 100% during low dropout conditions or load-on transients. Based on the 4-mV FB comparator dropout hysteresis, the duty cycle extends as needed at low input voltage conditions, corresponding to lower switching frequency. The PWM on-time extends based on the requirement that the FB voltage exceeds the dropout hysteresis during a given on-time. 100% duty cycle operation is eventually reached as the input voltage decreases towards the output setpoint. The output voltage stays in regulation at a lower supply voltage, thus achieving an extremely low dropout voltage.

Note that PFM mode operation provides an inherently natural transition to 100% duty cycle if needed for low dropout applications.

Use [Equation 4](#) to calculate the minimum input voltage to maintain output regulation.

$$V_{\text{IN}(\text{min})} = V_{\text{OUT}} + I_{\text{OUT}} \cdot (R_{\text{DSON1}} + R_{\text{DCR}}) \quad (4)$$

7.3.5 Adjustable Output Voltage (FB)

Three voltage feedback options are available: the fixed 3.3-V and 5-V versions include internal feedback resistors that sense the output directly through the VOUT pin; the adjustable voltage option senses the output through an external resistor divider connected from the output to the FB pin.

The LM5165 voltage regulation loop regulates the output voltage by maintaining the FB voltage equal to the internal reference voltage, V_{REF1} . A resistor divider programs the ratio from output voltage V_{OUT} to FB. For a target V_{OUT} setpoint, calculate R_{FB2} based on the selected R_{FB1} using [Equation 5](#).

$$R_{\text{FB2}} = \frac{1.223\text{V}}{V_{\text{OUT}} - 1.223\text{V}} \cdot R_{\text{FB1}} \quad (5)$$

Selecting R_{FB1} in the range of 100 k Ω to 1 M Ω is recommended for most applications. A larger R_{FB1} consumes less DC current, which is mandatory if light-load efficiency is critical. However, R_{FB1} larger than 1 M Ω is not recommended as the feedback path becomes more susceptible to noise. High feedback resistances generally require more careful feedback path PCB layout. It is important to route the feedback trace away from the noisy area of the PCB. For more layout recommendations, see [Layout](#).

7.3.6 Adjustable Current Limit

The LM5165 manages overcurrent conditions by cycle-by-cycle current limiting of the peak inductor current. The current sensed in the high-side MOSFET is compared every switching cycle to the current limit threshold set by the ILIM pin. Current is sensed after a leading-edge blanking time following the high-side MOSFET turnon transition. The propagation delay of current limit comparator is 100 ns.

Four programmable peak current levels are available: 60 mA, 120 mA, 180 mA and 240 mA, corresponding to resistors of 100 kΩ, 56.2 kΩ, 24.9 kΩ and 0 Ω connected at the ILIM pin, respectively. In turn, 25-mA, 50-mA, 75-mA, and 100-mA output current levels in boundary conduction mode PFM operation are possible, respectively.

Note that in PFM mode, the inductor current ramps from zero to the chosen peak threshold every switching cycle. Consequently, the maximum output current is equal to half the peak inductor current. Meanwhile, the corresponding output current capability in COT mode is higher as the ripple current is determined by the input and output voltage and the chosen inductance.

7.3.7 Precision Enable (EN) and Hysteresis (HYS)

The precision EN input supports adjustable input undervoltage lockout (UVLO) with hysteresis programmed independently through the HYS pin for application specific power-up and power-down requirements. EN connects to a comparator-based input referenced to a 1.212-V bandgap voltage with 68-mV hysteresis. An external logic signal can be used to drive the EN input to toggle the output on and off and for system sequencing or protection. The simplest way to enable the LM5165's operation is to connect EN directly to VIN. This allows the LM5165 to start up when VIN is within its valid operating range. However, many applications benefit from using a resistor divider RUV1 and RUV2 as shown in Figure 7-5 to establish a precision UVLO level. In tandem with the EN setting, use HYS to increase the voltage hysteresis as needed.

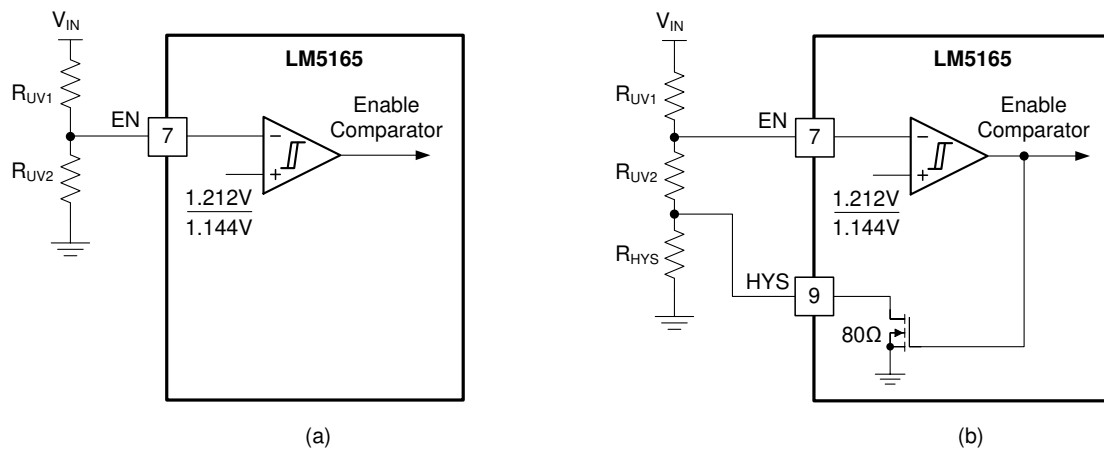


Figure 7-5. Programmable Input Voltage UVLO With (a) Fixed Hysteresis, (b) Adjustable Hysteresis

Use Equation 6 and Equation 7 to calculate the input UVLO voltages turnon and turnoff voltages, respectively.

$$V_{IN(on)} = 1.212V \cdot \left(1 + \frac{R_{UV1}}{R_{UV2}} \right) \quad (6)$$

$$V_{IN(off)} = 1.144V \cdot \left(1 + \frac{R_{UV1}}{R_{UV2} + R_{HYS}} \right) \quad (7)$$

There is also a low IQ shutdown mode when EN is pulled below a base-emitter voltage drop (approximately 0.6 V at room temperature). If EN is below this hard shutdown threshold, the internal LDO regulator powers off and the internal bias supply rail collapses, shutting down the bias currents of the LM5165. The LM5165 operates in standby mode when the EN voltage is between the hard shutdown and precision enable thresholds.

7.3.8 Power Good (PGOOD)

The LM5165 provides a PGOOD flag pin to indicate when the output voltage is within the regulation level. Use the PGOOD signal for start-up sequencing of downstream converters, as shown in Figure 7-6, or for fault protection and output monitoring. PGOOD is an open-drain output that requires a pullup resistor to a DC supply not greater than 12 V. Typical range of pullup resistance is 10 kΩ to 100 kΩ. If necessary, use a resistor divider to decrease the voltage from a higher voltage pullup rail.

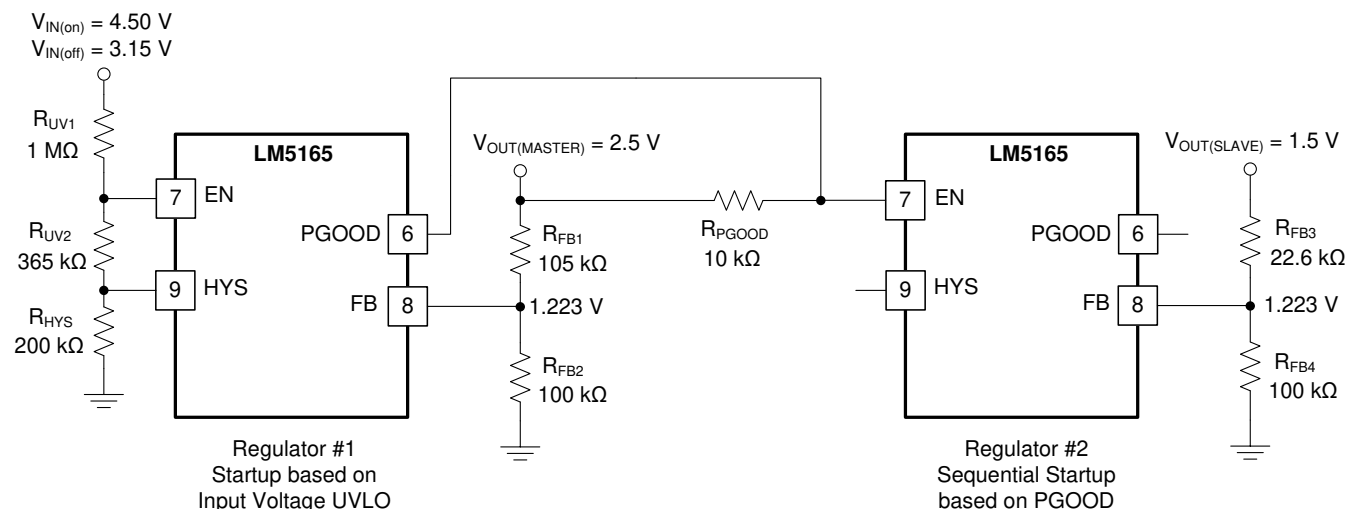


Figure 7-6. Master-Slave Sequencing Implementation Using PGOOD and EN

When the FB voltage exceeds 94% of the internal reference V_{REF1} , the internal PGOOD switch turns off and PGOOD can be pulled high by the external pullup. If the FB voltage falls below 87% of V_{REF1} , the internal PGOOD switch turns on, and PGOOD is pulled low to indicate that the output voltage is out of regulation. The rising edge of PGOOD has a built-in deglitch delay of 5 μ s.

7.3.9 Configurable Soft Start (SS)

The LM5165 has a flexible and easy-to-use soft-start control pin, SS. The soft-start feature prevents inrush current impacting the LM5165 and the input supply when power is first applied. Soft start is achieved by slowly ramping up the target regulation voltage when the device is first enabled or powered up. Selectable and adjustable start-up timing options include minimum delay (no soft-start), 900- μ s internally fixed soft start, and an externally programmable soft start.

The simplest way to use the LM5165 is to leave the SS pin open. The LM5165 employs the internal soft-start control ramp and starts up to the regulated output voltage in 900 μ s. In applications with a large amount of output capacitance, higher V_{OUT} , or other special requirements, extend the soft-start time by connecting an external capacitor C_{SS} from SS to GND. Longer soft-start time further reduces the supply current needed to charge the output capacitors and supply any output loading. An internal current source I_{SS} of 10 μ A charges C_{SS} and generates a ramp to control the ramp rate of the output voltage. Use Equation 8 to calculate the C_{SS} capacitance for a desired soft-start time t_{SS} .

$$C_{SS} [\text{nF}] = 8.1 \cdot t_{SS} [\text{ms}] \quad (8)$$

C_{SS} is discharged by an internal FET when V_{OUT} is shutdown by EN, UVLO, or thermal shutdown.

It is desirable in some applications for the output voltage to reach its nominal setpoint in the shortest possible time. Connecting a 100-k Ω resistor from SS to GND disables the soft-start circuit, and the LM5165 operates in current limit during start-up to rapidly charge the output capacitance.

As negative inductor current is prevented, the LM5165 is capable of start-up into prebiased output conditions. With a prebiased output voltage, the LM5165 waits until the soft-start ramp allows regulation above the prebiased voltage and then follows the soft-start ramp to the regulation setpoint.

7.3.10 Thermal Shutdown

Thermal shutdown is an integrated self-protection to limit junction temperature and prevent damage related to overheating. Thermal shutdown turns off the device when the junction temperature exceeds 170°C to prevent further power dissipation and temperature rise. Junction temperature decreases after shutdown, and the LM5165 restarts when the junction temperature falls to 160°C.

7.4 Device Functional Modes

7.4.1 Shutdown Mode

The EN pin provides ON and OFF control for the LM5165. When V_{EN} is below approximately 0.6 V, the device is in shutdown mode. Both the internal LDO and the switching regulator are off. The quiescent current in shutdown mode drops to 4.6 μ A at $V_{IN} = 12$ V. The LM5165 also employs internal bias rail undervoltage protection. If the internal bias supply voltage is below its UV threshold, the regulator remains off.

7.4.2 Standby Mode

The internal bias rail LDO has a lower enable threshold than the regulator itself. When V_{EN} is above 0.6 V and below the precision enable threshold (1.212 V typically), the internal LDO is on and regulating. The precision enable circuitry is turned on once the internal V_{CC} is above its UV threshold. The switching action and voltage regulation are not enabled until V_{EN} rises above the precision enable threshold.

7.4.3 Active Mode in COT

The LM5165 is in active mode when V_{EN} is above the precision enable threshold and the internal bias rail is above its UV threshold. In COT active mode, the LM5165 is in one of three modes depending on the load current:

1. CCM with fixed switching frequency when load current is above half of the peak-to-peak inductor current ripple;
2. Pulse skipping and diode emulation mode (DEM) when the load current is less than half of the peak-to-peak inductor current ripple in CCM operation. Refer to [COT More Light-Load Operation](#) for more detail;
3. Frequency foldback mode to maintain output regulation at low dropout and for improved load-on transient response. Refer to [Low Dropout Operation and 100% Duty Cycle Mode](#) for more detail.

7.4.4 Active Mode in PFM

Similarly, the LM5165 is in PFM active mode when V_{EN} and the internal bias rail are above the relevant thresholds, FB has fallen below the lower hysteresis level (V_{REF1}), and boundary conduction mode is recharging the output capacitor to the upper hysteresis level (V_{REF2}). There is a 4- μ s wake-up delay from sleep to active states.

7.4.5 Sleep Mode in PFM

The LM5165 is in PFM sleep mode when V_{EN} and the internal bias rail are above the relevant threshold levels, V_{FB} has exceeded the upper hysteresis level (V_{REF2}), and the output capacitor is sourcing the load current. In PFM sleep mode, the LM5165 operates with very low quiescent current.

8 Applications and Implementation

Note

Information in the following applications sections is not part of the TI component specification, and TI does not warrant its accuracy or completeness. TI's customers are responsible for determining suitability of components for their purposes, as well as validating and testing their design implementation to confirm system functionality.

8.1 Application Information

The LM5165 only requires a few external components to convert from a wide range of supply voltages to a fixed output voltage. To expedite and streamline the process of designing of a LM5165-based converter, a comprehensive LM5165 [Quick-start design tool](#) is available for download to assist the designer with component selection for a given application. WEBENCH® online software is also available to generate complete designs, leveraging iterative design procedures and access to comprehensive component databases. The following sections discuss the design procedure for both COT and PFM modes using specific circuit design examples.

As mentioned previously, the LM5165 also integrates several optional features to meet system design requirements, including precision enable, UVLO, programmable soft start, programmable switching frequency in COT mode, adjustable current limit, and PGOOD indicator. Each application incorporates these features as needed for a more comprehensive design. The application circuits detailed below show LM5165 configuration options suitable for several application use cases. Refer to the [LM5165EVM-HD-C50X](#) and [LM5165EVM-HD-P50A](#) EVM user's guides for more detail.

8.2 Typical Applications

For step-by-step design procedure, circuit schematics, bill of materials, PCB files, simulation and test results of an LM5165-powered implementation, refer to [Field Transmitter with Bluetooth® Low Energy Connectivity Powered from 4 to 20-mA Current Loop](#) reference design.

8.2.1 Design 1: Wide V_{IN} , Low I_Q COT Converter Rated at 5 V, 150 mA

The schematic diagram of a 5-V, 150-mA COT converter is given in [Figure 8-1](#).

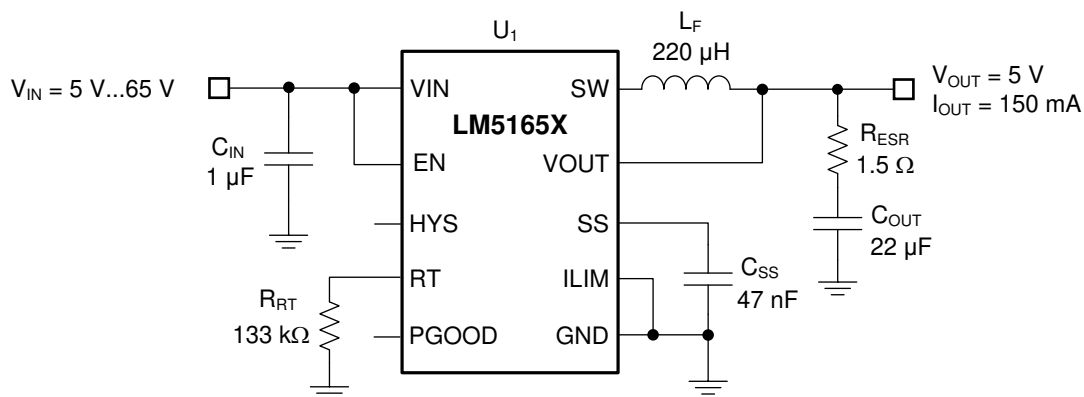


Figure 8-1. Schematic for Design 1 With $V_{IN(nom)} = 12\text{ V}$, $V_{OUT} = 5\text{ V}$, $I_{OUT(max)} = 150\text{ mA}$, $F_{SW(nom)} = 220\text{ kHz}$

8.2.1.1 Design Requirements

The target full-load efficiency is 91% based on a nominal input voltage of 12 V and an output voltage of 5 V. The required input voltage range is 5 V to 65 V. The LM5165X is chosen to deliver a fixed 5-V output voltage. The switching frequency is set by resistor R_{RT} at 220 kHz. The output voltage soft-start time is 6 ms. The required components are listed in [Table 8-1](#).

Table 8-1. List of Components for Design 1

| REF DES | QTY | SPECIFICATION | VENDOR | PART NUMBER |
|------------------|-----|---|------------------|-----------------------|
| C _{IN} | 1 | 1 μF, 100 V, X7R, 1206 ceramic | TDK | C3216X7R2A105K160AA |
| C _{OUT} | 1 | 22 μF, 10 V, X7R, 1206 ceramic | Murata | GRM31CR71A226KE15L |
| L _F | 1 | 220 μH ±20%, 0.29 A, 0.92 Ω typ DCR, 5.8 x 5.8 x 2.8 mm | Würth Elektronik | WE-TPC 5828 744053221 |
| | | 220 μH ±30%, 0.3 A, 1.25 Ω max DCR, 5.8 x 5.8 x 3.0 mm | Bourns | SRR5028-221Y |
| R _{ESR} | 1 | 1.5 Ω, 5%, 0402 | Std | Std |
| R _{RT} | 1 | 133 kΩ, 1%, 0402 | Std | Std |
| C _{SS} | 1 | 47 nF, 10 V, X7R, 0402 ceramic | Std | Std |
| U ₁ | 1 | LM5165X Synchronous Buck Converter, VSON-10, 5V Fixed | TI | LM5165XDRCR |

8.2.1.2 Detailed Design Procedure

8.2.1.2.1 Custom Design With WEBENCH® Tools

[Click here](#) to create a custom design using the LM5165 device with the WEBENCH® Power Designer.

1. Start by entering the input voltage (V_{IN}), output voltage (V_{OUT}), and output current (I_{OUT}) requirements.
2. Optimize the design for key parameters such as efficiency, footprint, and cost using the optimizer dial.
3. Compare the generated design with other possible solutions from Texas Instruments.

The WEBENCH Power Designer provides a customized schematic along with a list of materials with real-time pricing and component availability.

In most cases, these actions are available:

- Run electrical simulations to see important waveforms and circuit performance
- Run thermal simulations to understand board thermal performance
- Export customized schematic and layout into popular CAD formats
- Print PDF reports for the design, and share the design with colleagues

Get more information about WEBENCH tools at www.ti.com/WEBENCH.

8.2.1.2.2 Switching Frequency – R_T

As mentioned, the switching frequency of a COT-configured LM5165 is set by the on-time programming resistor at the RT pin. As shown by [Equation 2](#), a standard 1% resistor of 133 kΩ gives a switching frequency of 230 kHz.

Note that at very low duty cycles, the minimum controllable on-time of the high-side MOSFET, T_{ON(min)}, of 180 ns may affect choice of switching frequency. In CCM, T_{ON(min)} limits the voltage conversion step-down ratio for a given switching frequency. The minimum controllable duty cycle is given by [Equation 9](#):

$$D_{\text{MIN}} = T_{\text{ON}(\text{min})} \cdot F_{\text{SW}} \quad (9)$$

Given a fixed T_{ON(min)}, it follows that higher switching frequency implies a larger minimum controllable duty cycle. Ultimately, the choice of switching frequency for a given output voltage affects the available input voltage range, solution size and efficiency. The maximum supply voltage for a given T_{ON(min)} before switching frequency reduction occurs is given by [Equation 10](#).

$$V_{\text{IN}(\text{max})} = \frac{V_{\text{OUT}}}{T_{\text{ON}(\text{min})} \cdot F_{\text{SW}}} \quad (10)$$

8.2.1.2.3 Filter Inductor – L_F

The inductor ripple current (assuming CCM operation) and peak inductor current are given respectively by [Equation 11](#) and [Equation 12](#).

$$\Delta I_L = \frac{V_{OUT}}{F_{SW} \cdot L_F} \cdot \left(1 - \frac{V_{OUT}}{V_{IN}} \right) \quad (11)$$

$$I_{L(\text{peak})} = I_{OUT(\text{max})} + \frac{\Delta I_L}{2} \quad (12)$$

For most applications, choose an inductance such that the inductor ripple current, ΔI_L , is between 30% and 50% of the rated load current at nominal input voltage. Calculate the inductance using [Equation 13](#).

$$L_F = \frac{V_{OUT}}{F_{SW} \cdot \Delta I_{L(\text{nom})}} \cdot \left(1 - \frac{V_{OUT}}{V_{IN(\text{nom})}} \right) \quad (13)$$

Choosing a 220- μH inductor in this design results in 55-mA peak-to-peak ripple current at nominal input voltage of 12 V, equivalent to 37% of the 150-mA rated load current. The peak inductor current at maximum input voltage of 65 V is 195 mA, sufficiently below the LM5165 peak current limit of 240 mA.

Check the inductor datasheet to ensure that the inductor's saturation current is well above the current limit setting of a particular design. Ferrite designs have low core loss and are preferred at high switching frequencies, so design goals can then concentrate on copper loss and preventing saturation. However, ferrite core materials exhibit a hard saturation characteristic – the inductance collapses abruptly when the saturation current is exceeded. This results in an abrupt increase in inductor ripple current, higher output voltage ripple, not to mention reduced efficiency and compromised reliability. Note that inductor saturation current generally decreases as the core temperature increases.

8.2.1.2.4 Output Capacitors – C_{OUT}

Select the output capacitor to limit the capacitive voltage ripple at the converter output. This is the sinusoidal ripple voltage that arises from the triangular ripple current flowing in the capacitor. Select an output capacitance using [Equation 14](#) to limit the voltage ripple component to 0.5% of the output voltage.

$$C_{OUT} \geq \frac{\Delta I_{L(\text{nom})} \cdot 100}{F_{SW} \cdot V_{OUT}} \quad (14)$$

Substituting $\Delta I_{L(\text{nom})}$ of 55 mA gives C_{OUT} greater than 5 μF . Mindful of the voltage coefficient of ceramic capacitors, select a 22- μF , 10-V capacitor with X7R dielectric in 1206 footprint.

8.2.1.2.5 Series Ripple Resistor – R_{ESR}

Select a series resistor such that sufficient ripple in phase with the SW node voltage appears at the feedback node, FB. Use [Equation 15](#) to calculate the required ripple resistance, designated R_{ESR} .

$$R_{ESR} \geq \frac{20\text{mV} \cdot V_{OUT}}{V_{REF} \cdot \Delta I_{L(\text{nom})}} \quad (15)$$

With V_{OUT} of 5 V, V_{REF} of 1.223 V, and $\Delta I_{L(\text{nom})}$ of 55 mA at the nominal input voltage of 12 V, the required R_{ESR} is 1.5 Ω . Calculate the total output voltage ripple in CCM using [Equation 16](#).

$$\Delta V_{OUT} = \Delta I_L \cdot \sqrt{R_{ESR}^2 + \left(\frac{1}{8 \cdot F_{SW} \cdot C_{OUT}} \right)^2} \quad (16)$$

8.2.1.2.6 Input Capacitor – C_{IN}

An input capacitor is necessary to limit the input ripple voltage while providing switching-frequency AC current to the buck power stage. To minimize the parasitic inductance in the switching loop, position the input capacitors as close as possible to the VIN and GND pins of the LM5165. The input capacitors conduct a square-wave current

of peak-to-peak amplitude equal to the output current. It follows that the resultant capacitive component of AC ripple voltage is a triangular waveform. Together with the ESR-related ripple component, the peak-to-peak ripple voltage amplitude is given by [Equation 17](#).

$$\Delta V_{IN} = \frac{I_{OUT} \cdot D \cdot (1-D)}{F_{SW} \cdot C_{IN}} + I_{OUT} \cdot R_{ESR} \quad (17)$$

The input capacitance required for a particular load current, based on an input voltage ripple specification of ΔV_{IN} , is given by [Equation 18](#).

$$C_{IN} \geq \frac{I_{OUT} \cdot D \cdot (1-D)}{F_{SW} \cdot (\Delta V_{IN} - I_{OUT} \cdot R_{ESR})} \quad (18)$$

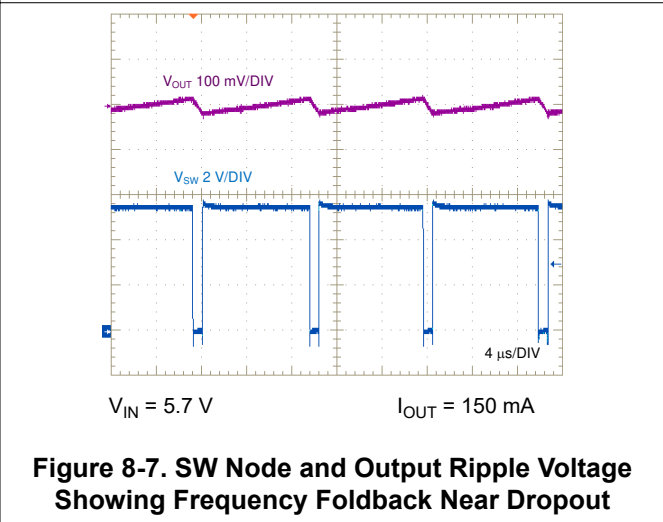
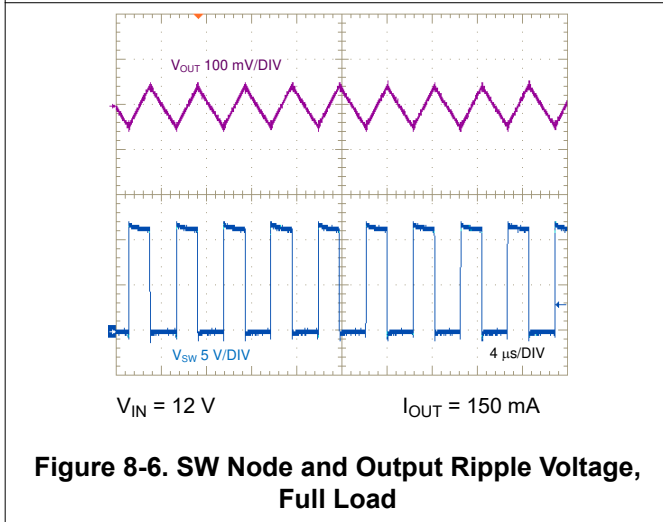
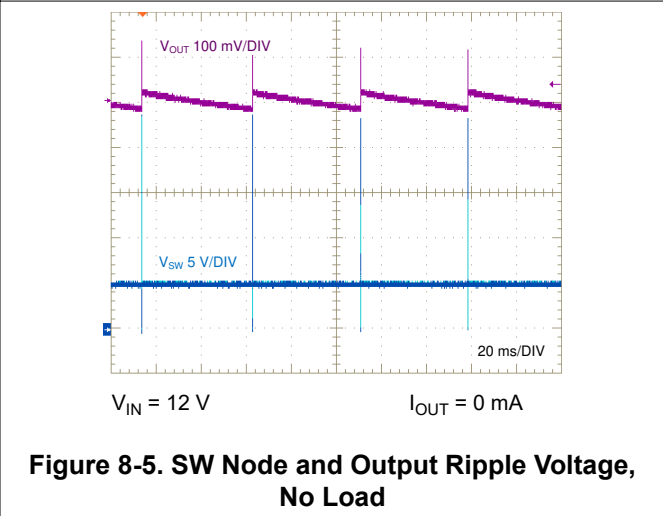
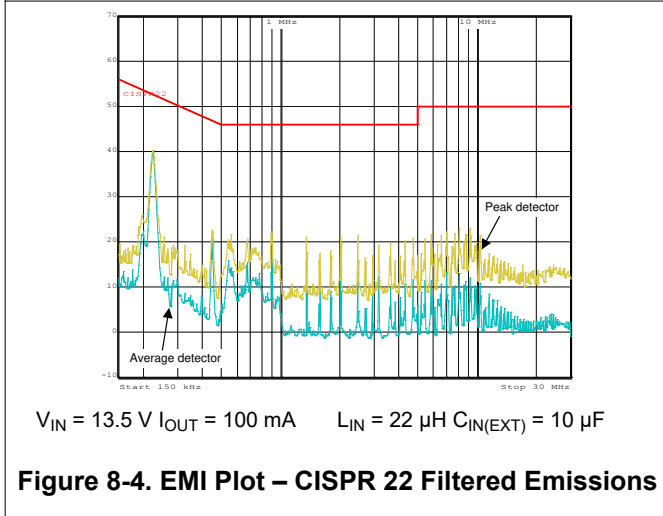
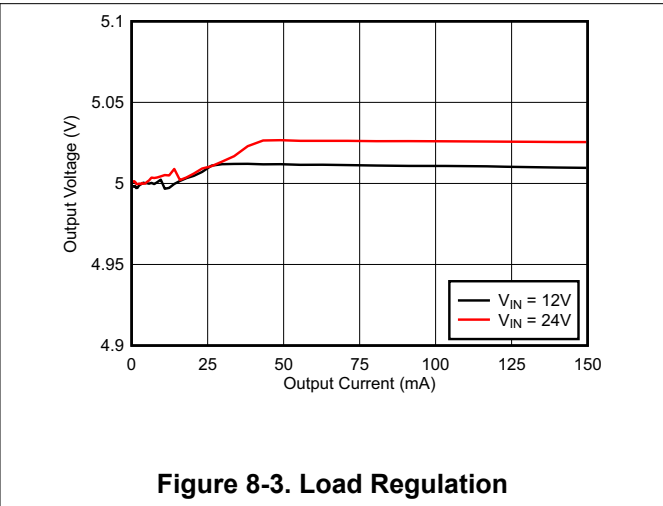
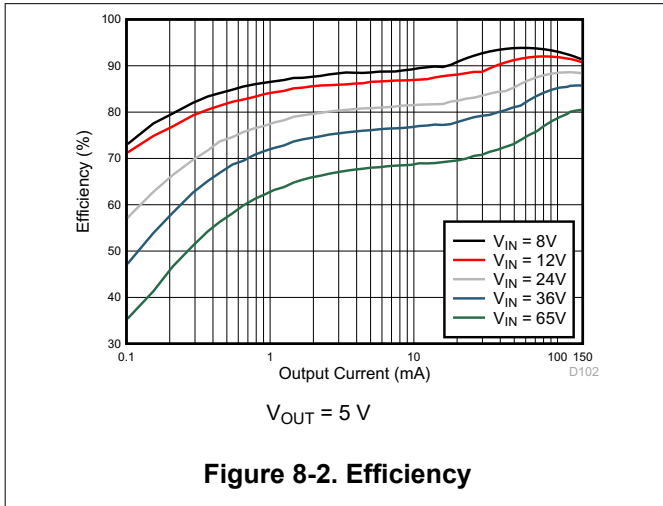
The recommended high-frequency capacitance is 1 μ F or higher and should be a high-quality ceramic type X5R or X7R with sufficient voltage rating. Based on the voltage coefficient of ceramic capacitors, choose a voltage rating of twice the maximum input voltage. Additionally, some bulk capacitance is required if the LM5165 circuit is not located within approximately 5 cm from the input voltage source. This capacitor provides damping to the resonance associated with parasitic inductance of the supply lines and high-Q ceramics.

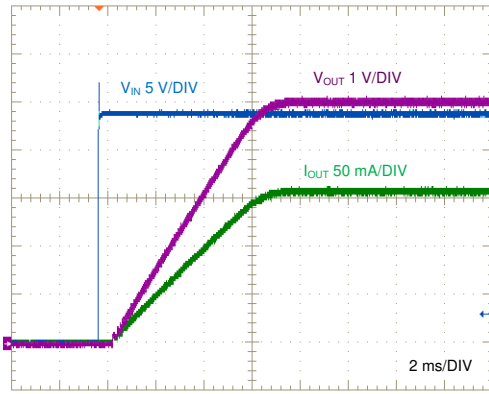
8.2.1.2.7 Soft-Start Capacitor – C_{SS}

Connect an external soft-start capacitor for a specific soft-start time. In this example, select a soft-start capacitance of 47 nF based on [Equation 8](#) to achieve a soft-start time of 6 ms.

8.2.1.3 Application Curves

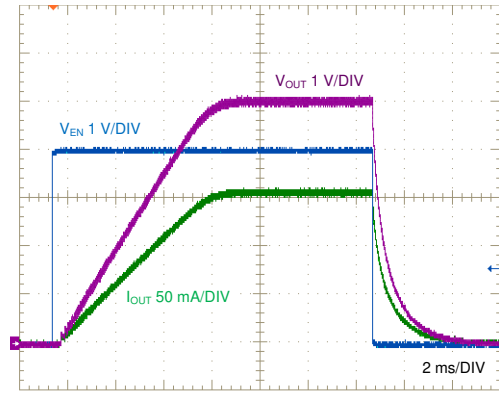
Unless otherwise stated, application performance curves were taken at $T_A = 25^\circ\text{C}$.





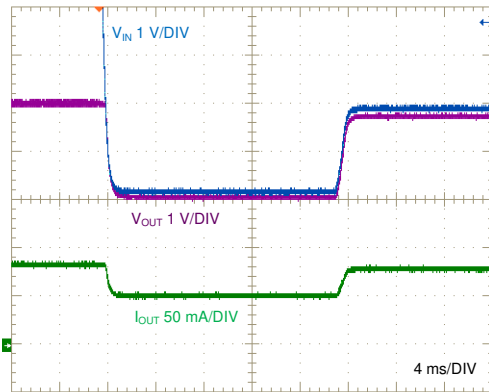
V_{IN} stepped to 24 V 30- Ω Load

Figure 8-8. Startup, Full Load



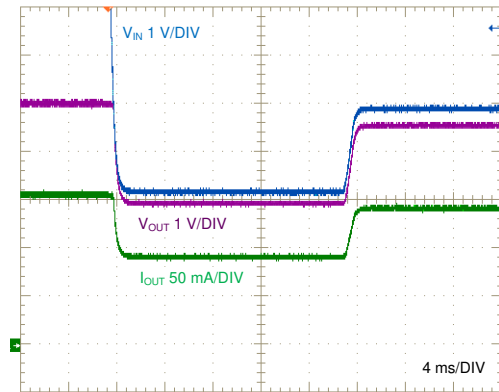
$V_{IN} = 24$ V 30- Ω Load

Figure 8-9. Enable ON and OFF



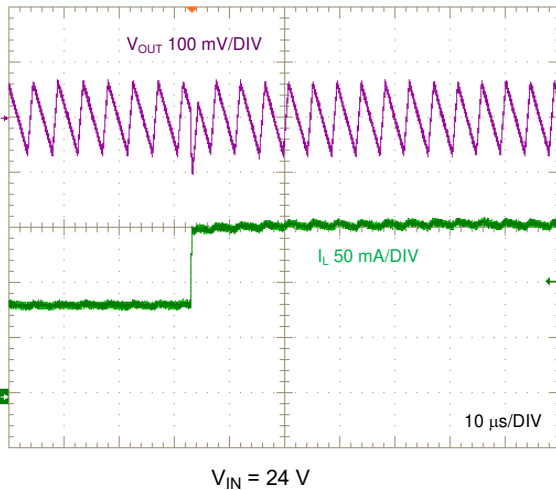
V_{IN} brownout to 3.2 V

Figure 8-10. Dropout Performance, 75-mA Resistive Load



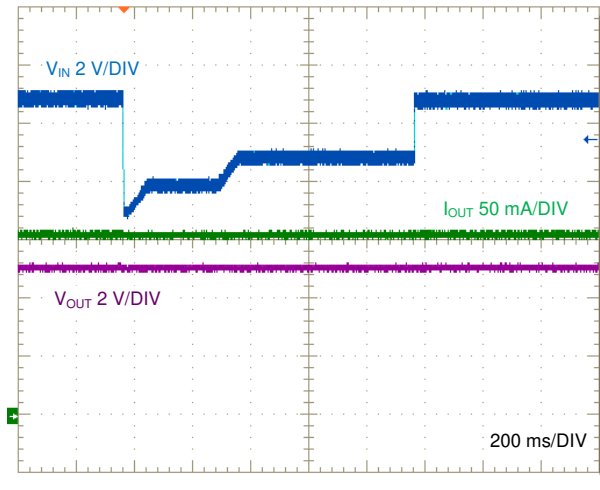
V_{IN} brownout to 3.2 V

Figure 8-11. Dropout Performance, 150-mA Resistive Load



$V_{IN} = 24$ V

Figure 8-12. Load Transient, 50 mA to 150 mA, 1 A/ μ s



$I_{OUT} = 150$ mA

Figure 8-13. Input Transient (Automotive Cold Crank Profile)

8.2.2 Design 2: Small Solution Size PFM Converter Rated at 3.3 V, 50 mA

The schematic diagram of a 3.3-V, 50-mA PFM converter with minimum component count is given in [Figure 8-14](#).

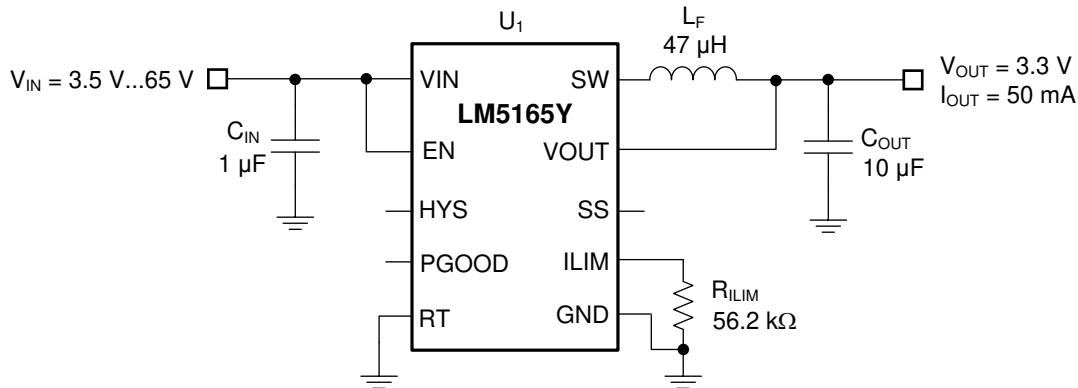


Figure 8-14. Schematic for Design 2 With $V_{IN(nom)} = 12\text{ V}$, $V_{OUT} = 3.3\text{ V}$, $I_{OUT(max)} = 50\text{ mA}$, $F_{SW(nom)} = 350\text{ kHz}$

8.2.2.1 Design Requirements

The target full-load efficiency of this design is 88% based on a nominal input voltage of 12 V and an output voltage of 3.3 V. The required total input voltage range is 3.5 V to 65 V. The LM5165 has an internally-set soft-start time of 900 μs and an adjustable peak current limit threshold. The BOM is listed in [Table 8-2](#).

Table 8-2. List of Components for Design 2

| REF DES | QTY | SPECIFICATION | VENDOR | PART NUMBER |
|-------------------|-----|---|-----------------------------------|--|
| C _{IN} | 1 | 1 μF , 100 V, X7S, 0805 ceramic | TDK | C2012X7S2A474M125AE |
| C _{OUT} | 1 | 10 μF , 6.3 V, X7R, 0805 ceramic | Taiyo Yuden Murata | JMK212AB7106KG-T GRM21BR70J106KE76K |
| L _F | 1 | 47 $\mu\text{H} \pm 20\%$, 0.56 A, 650 m Ω maximum DCR, 3.9 \times 3.9 \times 1.7 mm 47 $\mu\text{H} \pm 20\%$, 0.7 A, 620 m Ω typical DCR, 4.0 \times 4.0 \times 1.8 mm 47 $\mu\text{H} \pm 20\%$, 0.57 A, 650 m Ω typical DCR, 4.0 \times 4.0 \times 1.8 mm | Coilcraft Würth Taiyo Yuden | LPS4018-473MRC 74404042470 NR4018T470M |
| R _{ILIM} | 1 | 56.2 k Ω , 1%, 0402 | Std | Std |
| U ₁ | 1 | LM5165Y Synchronous Buck Converter, VSON-10, 3.3-V Fixed | TI | LM5165YDRCR |

8.2.2.2 Detailed Design Procedure

8.2.2.2.1 Peak Current Limit Setting – R_{ILIM}

Install a 56.2-k Ω resistor from ILIM to GND to select a 120-mA peak current limit threshold setting to meet the rated output current of 50 mA.

8.2.2.2.2 Switching Frequency – L_F

Tie RT to GND to select PFM mode of operation. The inductor, input voltage, output voltage, and peak current determine the pulse switching frequency of a PFM-configured LM5165. For a given input voltage, output voltage and peak current, the inductance of L_F sets the switching frequency when the output is in regulation. Use [Equation 19](#) to select an inductance of 47 μH based on the target PFM converter switching frequency of 350 kHz at 12-V input.

$$L_F = \frac{V_{OUT}}{F_{SW(PFM)} \cdot I_{PK(PFM)}} \cdot \left(1 - \frac{V_{OUT}}{V_{IN}} \right) \quad (19)$$

I_{PK(PFM)} in this example is the peak current limit setting of 120 mA plus an additional 10% margin added to include the effect of the 100-ns peak current comparator delay. An additional constraint on the inductance is the

180-ns minimum on-time of the high-side MOSFET. Therefore, to keep the inductor current well controlled, choose an inductance that is larger than $L_{F(\min)}$ using Equation 20 where $V_{IN(\max)}$ is the maximum input supply voltage for the application, $t_{ON(\min)}$ is 180 ns, and $I_{L(\max)}$ is the maximum allowed peak inductor current.

$$L_{F(\min)} = \frac{V_{IN(\max)} \cdot t_{ON(\min)}}{I_{L(\max)}} \quad (20)$$

Choose an inductor with saturation current rating above the peak current limit setting, and allow for derating of the saturation current at the highest expected operating temperature.

8.2.2.2.3 Output Capacitor – C_{OUT}

The output capacitor, C_{OUT} , filters the inductor's ripple current and stores energy to meet the load current requirement when the LM5165 is in sleep mode. The output ripple has a base component of amplitude $V_{OUT}/123$ related to the 10-mV typical feedback comparator hysteresis in PFM. The wakeup time from sleep to active mode adds a ripple voltage component that is a function of the output current. Approximate the total output ripple by Equation 21.

$$\Delta V_{OUT} = \frac{I_{OUT} \cdot 4\mu s}{C_{OUT}} + \frac{V_{OUT}}{123} \quad (21)$$

Also, the output capacitance must be large enough to accept the energy stored in the inductor without a large deviation in output voltage. Setting this voltage change equal to 0.5% of the output voltage results in:

$$C_{OUT} \geq 100 \cdot L_F \cdot \left(\frac{I_{PK(PFM)}}{V_{OUT}} \right)^2 \quad (22)$$

In general, select the capacitance of C_{OUT} to limit the output voltage ripple at full load current, ensuring that it is rated for worst-case RMS ripple current given by $I_{RMS} = I_{PK(PFM)}/2$. In this design example, choose a 10- μ F, 6.3-V ceramic output capacitor with X7R dielectric and 0805 footprint.

8.2.2.2.4 Input Capacitor – C_{IN}

The input capacitor, C_{IN} , filters the high-side MOSFET's triangular current waveform, see Figure 10-1. To prevent large ripple voltage, use a low-ESR ceramic input capacitor sized for the worst-case RMS ripple current given by $I_{RMS} = I_{OUT}/2$. In this design example, choose a 1- μ F, 100-V ceramic input capacitor with X7S dielectric and 0805 footprint.

For technical solutions, industry trends, and insights for designing and managing power supplies, please refer to TI's [Power House](#) blog series.

8.2.2.3 Application Curves

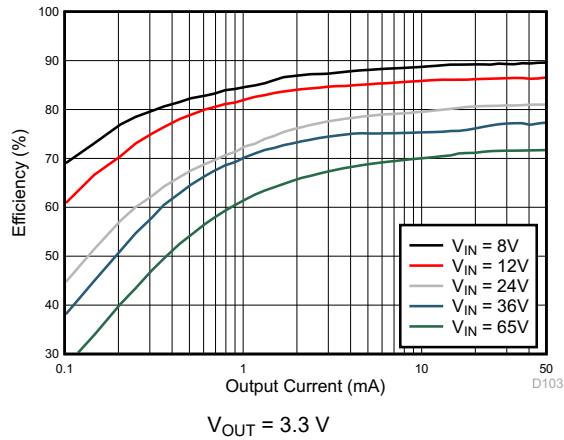


Figure 8-15. Efficiency

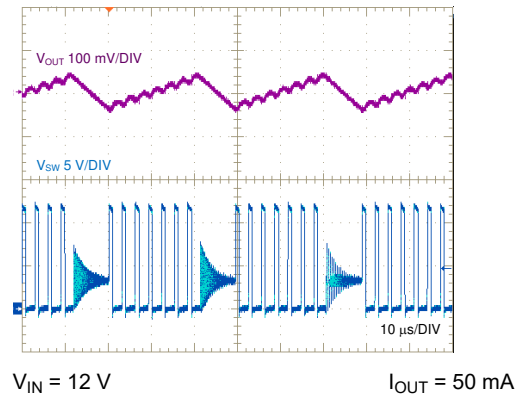


Figure 8-16. SW Node and Output Ripple Voltage, Full Load

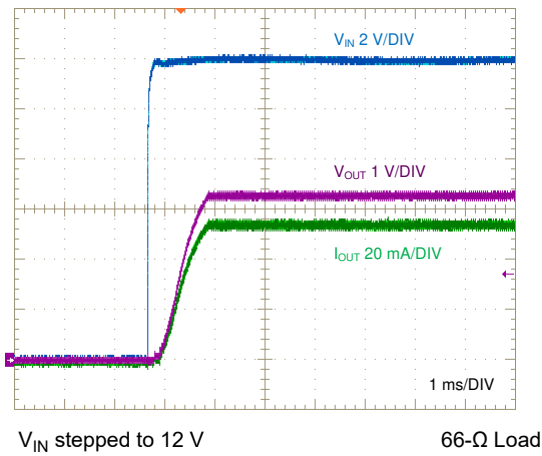


Figure 8-17. Start-Up, Full Load

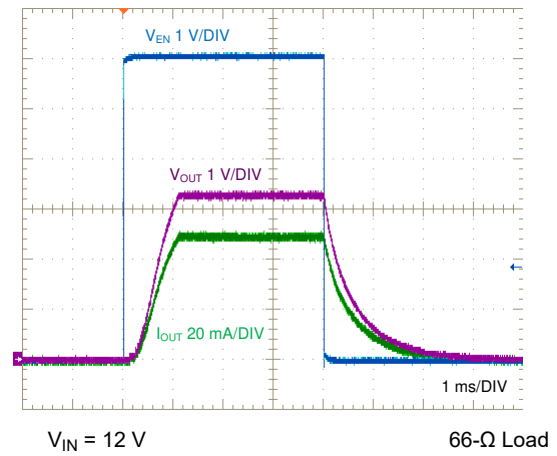


Figure 8-18. Enable ON and OFF

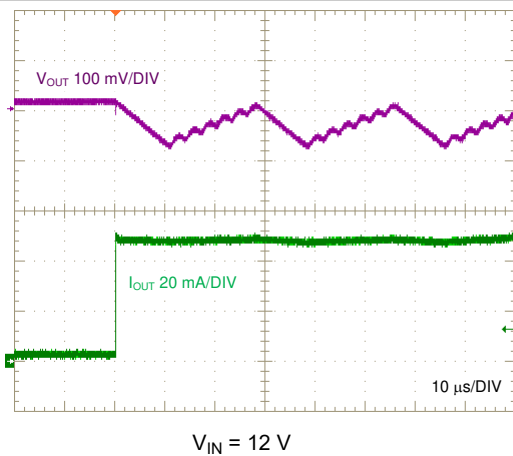


Figure 8-19. Load Transient, 0 mA to 50 mA, 1 A/μs

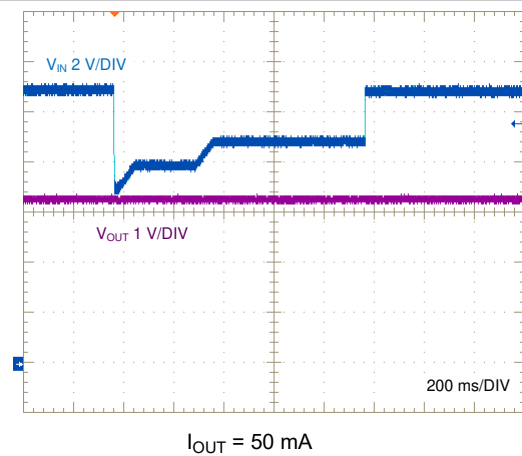


Figure 8-20. Input Voltage Transient (Automotive Cold Crank Profile)

8.2.3 Design 3: High Density 12-V, 75-mA PFM Converter

The schematic diagram of 12-V, 75-mA PFM converter is given in Figure 8-21.

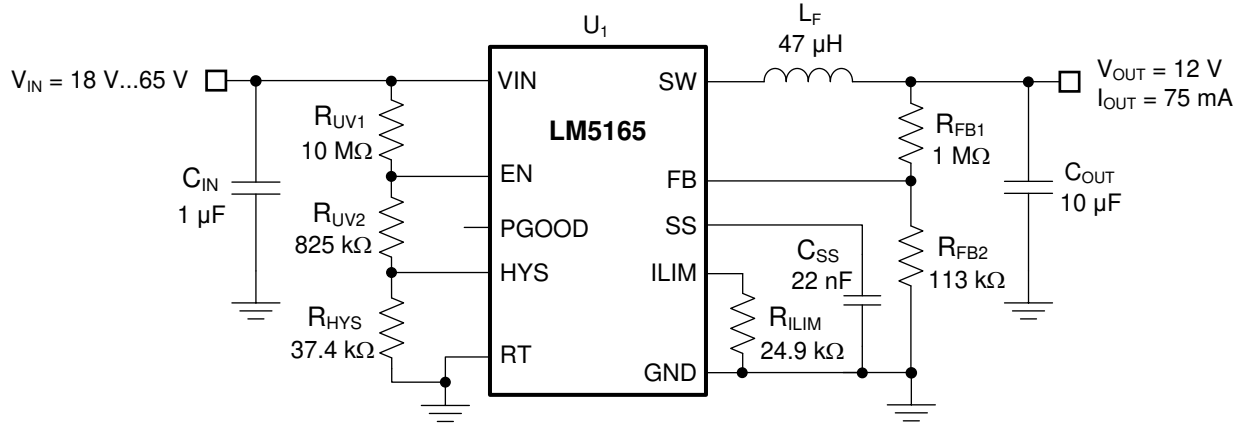


Figure 8-21. Schematic for Design 3 With $V_{IN(nom)} = 24\text{ V}$, $V_{OUT} = 12\text{ V}$, $I_{OUT(max)} = 75\text{ mA}$, $F_{SW(nom)} = 500\text{ kHz}$

8.2.3.1 Design Requirements

The full-load efficiency specification is 92% based on a nominal input voltage of 24 V and an output voltage of 12 V. The total input voltage range is 18 V to 65 V, with UVLO turnon and turnoff at 16 V and 14.5 V, respectively. The output voltage setpoint is established by feedback resistors, R_{FB1} and R_{FB2} . The switching frequency is set by inductor L_F at 500 kHz at nominal input voltage. The required components are listed in Table 8-3.

Table 8-3. List of Components for Design 3

| REF DES | QTY | SPECIFICATION | VENDOR | PART NUMBER |
|-------------------|-----|---|-------------|----------------------|
| C _{IN} | 1 | 1 μF, 100 V, X7S, 0805 ceramic | Murata | GRJ21BC72A105KE11L |
| | | 1 μF, 100 V, X7S, 0805 ceramic, AEC-Q200 | TDK | CGA4J3X7S2A105K125AE |
| C _{OUT} | 1 | 10 μF, 16 V, X7R, 0805 ceramic | Taiyo Yuden | EMK212BB7106MG-T |
| | | 10 μF, 16 V, X7R, 0805 ceramic, AEC-Q200 | TDK | CGA4J1X7S1C106K125AC |
| L _F | 1 | 47 μH ±20%, 0.56 A, 650 mΩ maximum DCR, 3.9 × 3.9 × 1.7 mm AEC-Q200 | Coilcraft | LPS4018-473MRC |
| R _{ILIM} | 1 | 24.9 kΩ, 1%, 0402 | Std | Std |
| R _{FB1} | 1 | 1 MΩ, 1%, 0402 | Std | Std |
| R _{FB2} | 1 | 113 kΩ, 1%, 0402 | Std | Std |
| R _{UV1} | 1 | 10 MΩ, 1%, 0603 | Std | Std |
| R _{UV2} | 1 | 825 kΩ, 1%, 0402 | Std | Std |
| R _{HYS} | 1 | 37.4 kΩ, 1%, 0402 | Std | Std |
| C _{SS} | 1 | 22 nF, 10 V, X7R, 0402 | Std | Std |
| U ₁ | 1 | LM5165 Synchronous Buck Converter, VSON-10, 3 mm × 3 mm | TI | LM5165DRCR |

8.2.3.2 Detailed Design Procedure

The component selection procedure for this PFM design is quite similar to that of Design 2, see Figure 8-14.

8.2.3.2.1 Peak Current Limit Setting – R_{ILIM}

Install a 24.9-kΩ resistor from ILIM to GND to select the 180-mA peak current limit setting for a rated output current of 75 mA.

8.2.3.2.2 Switching Frequency – L_F

Tie RT to GND to select PFM mode of operation. Set the switching frequency by the filter inductance, L_F . Calculate an inductance of 47 μH based on the target PFM converter switching frequency of 500 kHz at 24-V

input using [Equation 19](#). Use a peak current limit setting, $I_{PK(PFM)}$, of 180 mA plus an additional 50% margin in this high-frequency design to include the effect of the 100-ns current limit comparator delay. Choose an inductor with saturation current rating well above the peak current limit setting, and allow for derating of the saturation current at the highest expected operating temperature.

8.2.3.2.3 Input and Output Capacitors – C_{IN} , C_{OUT}

Choose a 1- μ F, 100-V ceramic input capacitor with 0805 footprint. Such a capacitor is typically available in X5R or X7S dielectric. Based on [Equation 22](#), select a 10- μ F, 16-V ceramic output capacitor with X7R dielectric and 0805 footprint.

8.2.3.2.4 Feedback Resistors – R_{FB1} , R_{FB2}

The output voltage of the LM5165 is externally adjustable using a resistor divider network. The divider network comprises the upper feedback resistor R_{FB1} and lower feedback resistor R_{FB2} . Select R_{FB1} of 1 M Ω to minimize quiescent current and improve light-load efficiency in this application. With the desired output voltage setpoint of 12 V and $V_{FB} = 1.223$ V, calculate the resistance of R_{FB2} using [Equation 5](#) as 113.5 k Ω . Choose the closest available standard value of 113 k Ω for R_{FB2} . Please refer to [Adjustable Output Voltage \(FB\)](#) for more detail.

8.2.3.2.5 Undervoltage Lockout Setpoint – R_{UV1} , R_{UV2} , R_{HYS}

Adjust the undervoltage lockout (UVLO) using an externally-connected resistor divider network of R_{UV1} , R_{UV2} , and R_{HYS} . The UVLO has two thresholds, one for power up when the input voltage is rising and one for power down or brownouts when the input voltage is falling. The EN rising threshold for the LM5165 is 1.212 V.

Rearranging [Equation 6](#) and [Equation 7](#), the expressions to calculate R_{UV2} and R_{HYS} are as follows:

$$R_{UV2} = \frac{V_{EN(on)}}{V_{IN(on)} - V_{EN(on)}} \cdot R_{UV1} \quad (23)$$

$$R_{HYS} = \frac{V_{EN(off)}}{V_{IN(off)} - V_{EN(off)}} \cdot R_{UV1} - R_{UV2} \quad (24)$$

Choose R_{UV1} as 10 M Ω to minimize input quiescent current. Given the desired input voltage UVLO thresholds of 16 V and 14.5 V, calculate the resistance of R_{UV2} and R_{HYS} as 825 k Ω and 37.4 k Ω , respectively. See [Section 7.3.7](#) for more detail.

8.2.3.2.6 Soft Start – C_{SS}

Install a 22-nF capacitor from SS to GND for a soft-start time of 3 ms.

8.2.3.3 Application Curves

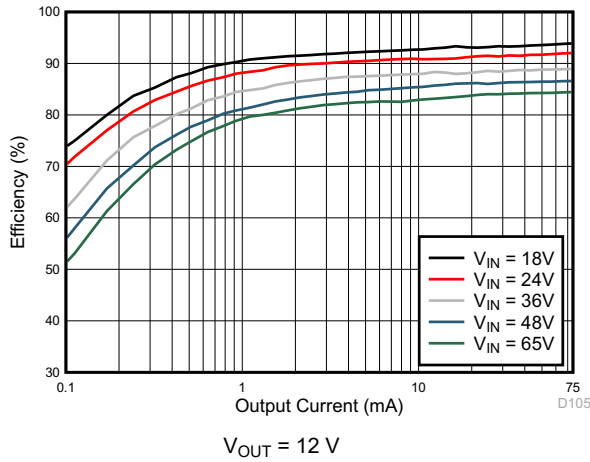


Figure 8-22. Efficiency

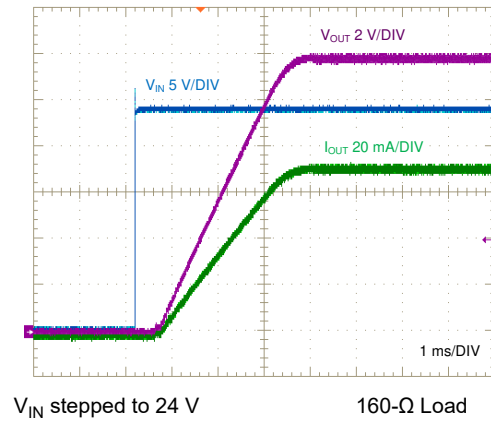


Figure 8-23. Start-Up, Full Load

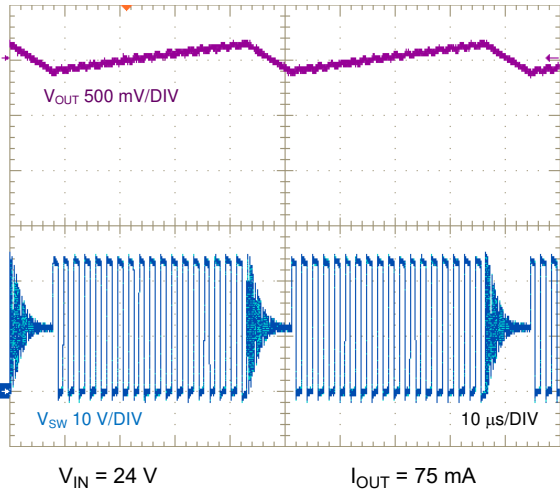


Figure 8-24. SW Node and Output Ripple Voltage, Full Load

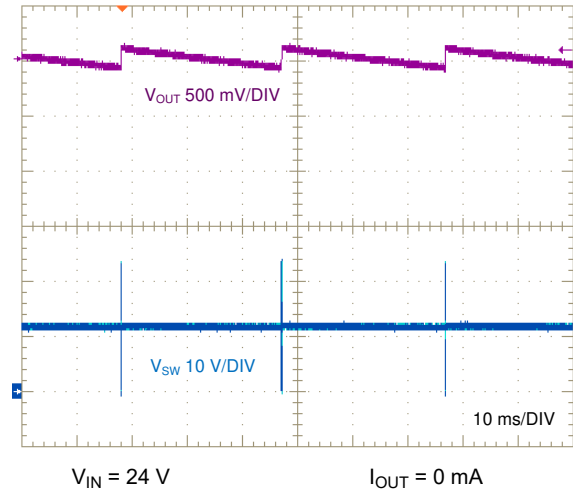


Figure 8-25. SW Node and Output Ripple Voltage, No Load

8.2.4 Design 4: 3.3-V, 150-mA COT Converter With High Efficiency

The schematic diagram of a 3.3-V, 150-mA COT converter is given in Figure 8-26.

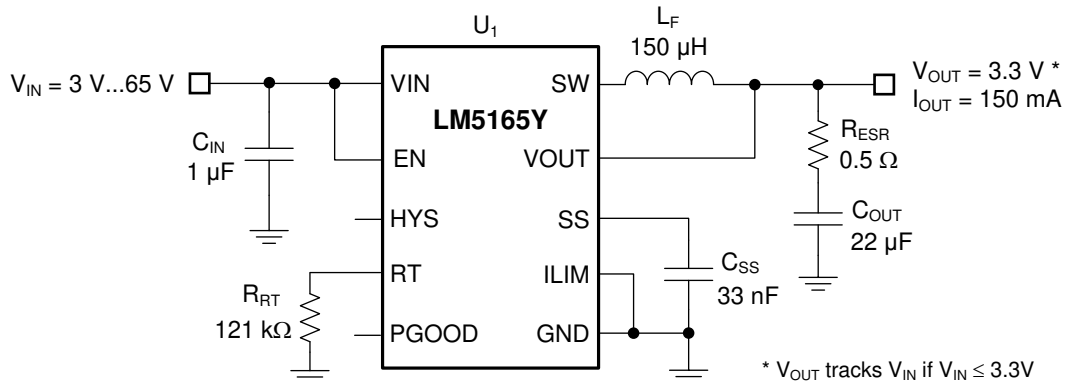


Figure 8-26. Schematic for Design 4 With $V_{IN(nom)} = 24\text{ V}$, $V_{OUT} = 3.3\text{ V}$, $I_{OUT(max)} = 150\text{ mA}$, $F_{SW(nom)} = 160\text{ kHz}$

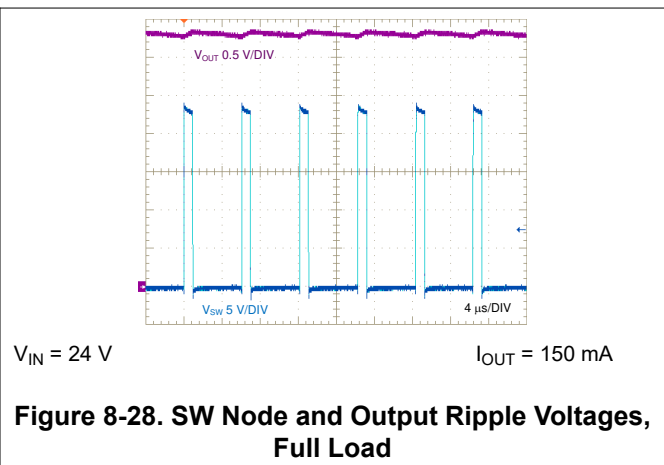
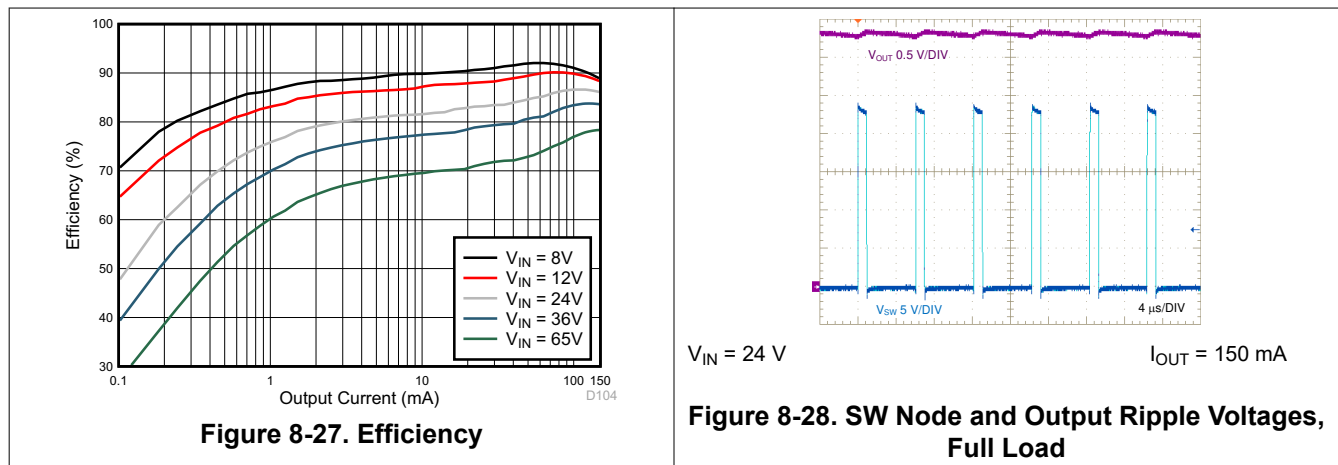
8.2.4.1 Design Requirements

The target full-load efficiency is 91% based on a nominal input voltage of 24 V and an output voltage of 3.3 V. The required input voltage range is 3 V to 65 V. The LM5165Y is chosen to deliver a fixed 3.3-V output voltage. The switching frequency is set by resistor R_{RT} at approximately 160 kHz. The output voltage soft-start time is 4 ms. The required components are listed in Table 8-4. The component selection procedure for this COT design is quite similar to that of Design 1, see Figure 8-1.

Table 8-4. List of Components for Design 4

| REF DES | QTY | SPECIFICATION | VENDOR | PART NUMBER |
|-----------|-----|--|-----------|---------------------|
| C_{IN} | 1 | 1 μF , 100 V, X7R, 1206 ceramic | Murata | GRM31CR72A105KA01L |
| C_{OUT} | 1 | 22 μF , 6.3 V, X7S, 0805 ceramic | Murata | GRM21BR660J226ME39K |
| L_F | 1 | 150 $\mu\text{H} \pm 20\%$, 0.29 A, 0.86 Ω typical DCR, 4.8 \times 4.8 \times 2.9 mm | Coilcraft | LPS5030-154MLC |
| R_{ESR} | 1 | 0.5 Ω , 5%, 0402 | Std | Std |
| R_{RT} | 1 | 121 k Ω , 1%, 0402 | Std | Std |
| C_{SS} | 1 | 33 nF, 10 V, X7R, 0402 ceramic | Std | Std |
| U_1 | 1 | LM5165Y Synchronous Buck Converter, VSON-10, 3.3-V Fixed | TI | LM5165YDRCR |

8.2.4.2 Application Curves



8.2.5 Design 5: 15-V, 150-mA, 600-kHz COT Converter

The schematic diagram of a 15-V, 150-mA COT converter is given in Figure 8-29.

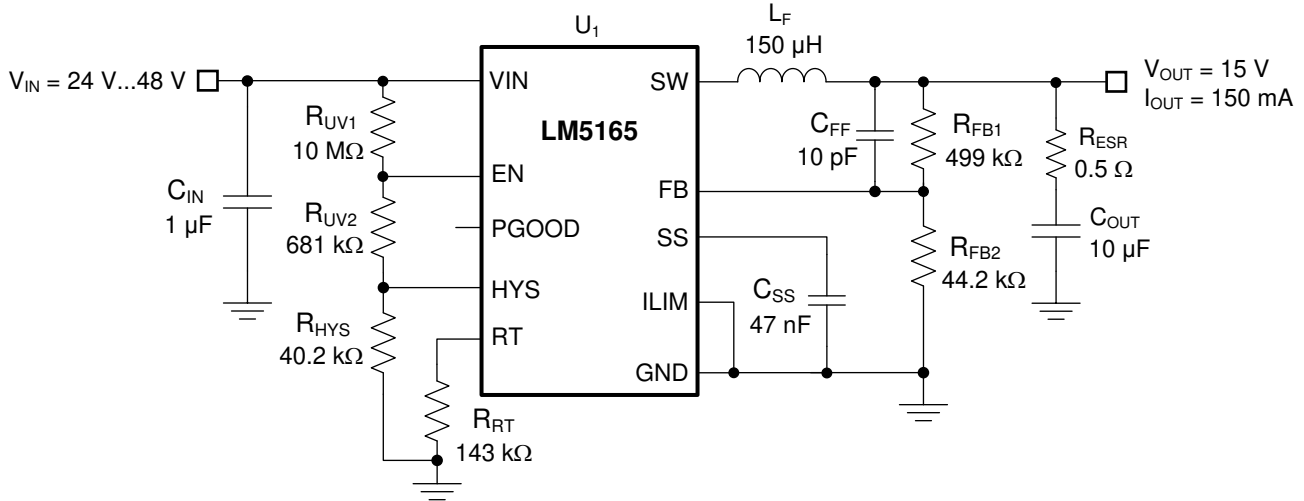


Figure 8-29. Schematic for Design 5 With $V_{IN(nom)} = 36\text{ V}$, $V_{OUT} = 15\text{ V}$, $I_{OUT(max)} = 150\text{ mA}$, $F_{SW(nom)} = 600\text{ kHz}$

8.2.5.1 Design Requirements

The target full-load efficiency is 92% based on a nominal input voltage of 36 V and an output voltage of 15 V. The input voltage operating range is 24 V to 48 V, but transients as high as 65 V are possible in the application. UVLO turnon and turnoff are set at 19 V and 17 V, respectively. The LM5165 switching frequency is set at approximately 600 kHz by resistor R_{RT} of 143 kΩ. The output voltage soft-start time is 6 ms. The required components are listed in Table 8-5. The component selection procedure for this COT design is quite similar to that of Design 1, see Figure 8-1.

Table 8-5. List of Components for Design 5

| REF DES | QTY | SPECIFICATION | VENDOR | PART NUMBER |
|-----------|-----|--|-------------|------------------|
| C_{IN} | 1 | 1 μF , 100 V, X7R, 1206 ceramic | AVX | 12061C105KAT2A |
| C_{OUT} | 1 | 10 μF , 25 V, X7R, 1206 ceramic | Taiyo Yuden | TMK316B7106KL-TD |
| L_F | 1 | 150 $\mu\text{H} \pm 20\%$, 0.29 A, 0.86 Ω typical DCR, 4.8 \times 4.8 \times 2.9 mm | Coilcraft | LPS5030-154MLC |
| R_{ESR} | 1 | 2.2 Ω , 5%, 0402 | Std | Std |
| R_{RT} | 1 | 143 k Ω , 1%, 0402 | Std | Std |
| R_{FB1} | 1 | 499 k Ω , 1%, 0402 | Std | Std |
| R_{FB2} | 1 | 44.2 k Ω , 1%, 0402 | Std | Std |
| R_{UV1} | 1 | 10 M Ω , 1%, 0603 | Std | Std |
| R_{UV2} | 1 | 681 k Ω , 1%, 0402 | Std | Std |
| R_{HYS} | 1 | 40.2 k Ω , 1%, 0402 | Std | Std |
| C_{FF} | 1 | 10 pF, 10 V, X7R, 0402 ceramic | Std | Std |
| C_{SS} | 1 | 47 nF, 10 V, X7R, 0402 ceramic | Std | Std |
| U_1 | 1 | LM5165 Synchronous Buck Converter, VSON-10, 3 mm \times 3 mm | TI | LM5165DRCR |

8.2.5.2 Detailed Design Procedure

8.2.5.2.1 COT Output Ripple Voltage Reduction

Depending on the required ripple resistance when operating in COT mode, the resultant output voltage ripple may be deemed too high for a given application. One option is to place a feedforward capacitor C_{FF} in parallel with the upper feedback resistor R_{FB1} . Capacitor C_{FF} increases the high-frequency gain from V_{OUT} to V_{FB} close to unity such that the output voltage ripple couples directly to the FB node.

8.2.5.3 Application Curves

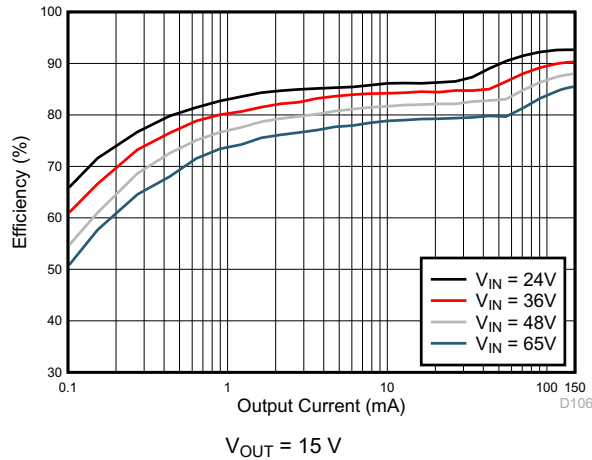


Figure 8-30. Efficiency

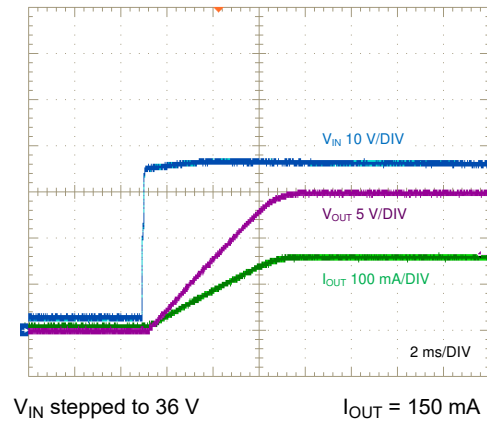


Figure 8-31. Start-Up, Full Load

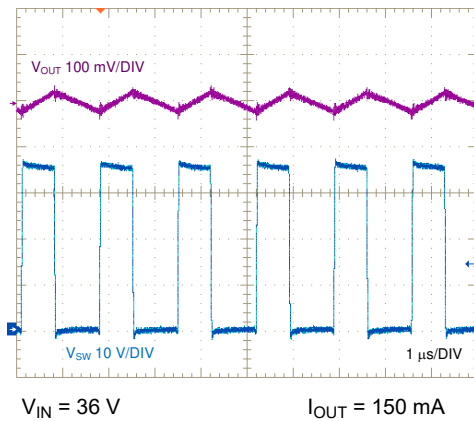


Figure 8-32. SW Node and Output Ripple Voltage, Full Load

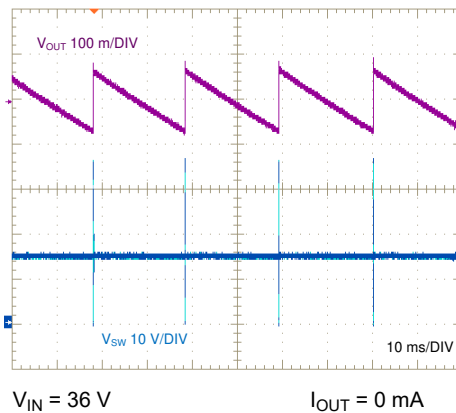


Figure 8-33. SW Node and Output Ripple Voltage, No Load

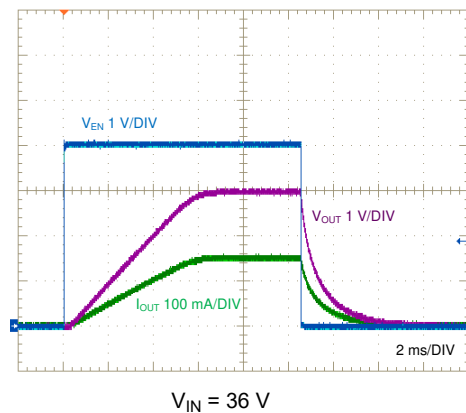


Figure 8-34. Enable ON and OFF

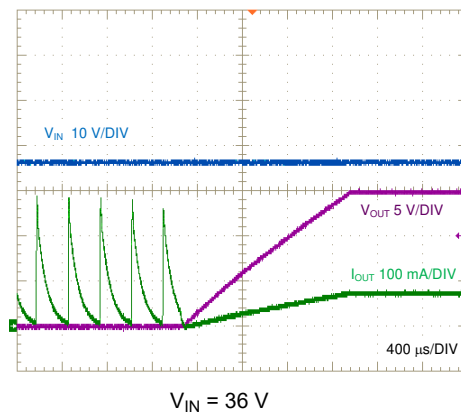


Figure 8-35. Short Circuit Recovery

9 Power Supply Recommendations

The LM5165 is designed to operate from an input voltage supply range between 3 V and 65 V. This input supply should be able to provide the maximum input current and maintain a voltage above 3 V. Ensure that the resistance of the input supply rail is low enough that an input current transient does not cause a high enough drop at the LM5165 supply rail to cause a false UVLO fault triggering and system reset. If the input supply is located more than a few inches from the LM5165 converter, additional bulk capacitance may be required in addition to the ceramic input capacitance. A 4.7- μ F electrolytic capacitor is a typical choice for this function, whereby the capacitor ESR provides a level of damping against input filter resonances. A typical ESR of 0.5 Ω provides enough damping for most input circuit configurations.

10 Layout

The performance of any switching converter depends as much upon PCB layout as it does the component selection. The following guidelines are provided to assist with designing a PCB with the best power conversion performance, thermal performance, and minimized generation of unwanted EMI.

10.1 Layout Guidelines

PCB layout is a critical for good power supply design. There are several paths that conduct high slew-rate currents or voltages that can interact with stray inductance or parasitic capacitance to generate noise and EMI or degrade the power supply's performance.

1. Bypass the VIN pin to GND with a low-ESR ceramic capacitor of X5R or X7R dielectric. Place C_{IN} as close as possible to the LM5165 VIN and GND pins. Ground return paths for both the input and output capacitors should consist of localized top-side planes that connect to the GND pin and exposed PAD.
2. Minimize the loop area formed by the input capacitor connections and the VIN and GND pins.
3. Locate the power inductor close to the SW pin. Minimize the area of the SW trace or plane to prevent excessive capacitive coupling.
4. Tie the GND pin directly to the power pad under the device and to a heat-sinking PCB ground plane.
5. Use a ground plane in one of the middle layers as a noise shielding and heat dissipation path.
6. Have a single-point ground connection to the plane. Route the ground connections for the feedback, soft-start, and enable components to the ground plane. This prevents any switched or load currents from flowing in analog ground traces. If not properly handled, poor grounding results in degraded load regulation or erratic output voltage ripple behavior.
7. Make V_{IN} , V_{OUT} and ground bus connections as wide as possible. This reduces any voltage drops on the input or output paths of the converter and maximizes efficiency.
8. Minimize trace length to the FB pin. Locate both feedback resistors close to the FB pin. Place C_{FF} (if used) directly in parallel with R_{FB1} . Route the V_{OUT} sense path away from noisy nodes and preferably on a layer at the other side of a shielding layer.
9. Locate the components at RT and SS as close as possible to the device. Route with minimal trace lengths.
10. Provide adequate heatsinking for the LM5165 to keep the junction temperature below 150°C. For operation at full rated load, the top-side ground plane is an important heat-dissipating area. Use an array of heat-sinking vias to connect the exposed PAD to the PCB ground plane. If the PCB has multiple copper layers, connect these thermal vias to inner-layer ground planes.

10.1.1 Compact PCB Layout for EMI Reduction

Radiated EMI generated by high di/dt components relates to pulsing currents in switching converters. The larger area covered by the path of a pulsing current, the more electromagnetic emission is generated. The key to minimize radiated EMI is to identify the pulsing current path and minimize the area of that path.

The critical switching loop of the power stage in terms of EMI is denoted in [Figure 10-1](#). The topological architecture of a buck converter means that a particularly high di/dt current effective path exists in the loop comprising the input capacitor and the LM5165's integrated MOSFETs, and it becomes mandatory to reduce the parasitic inductance of this loop by minimizing the effective loop area.

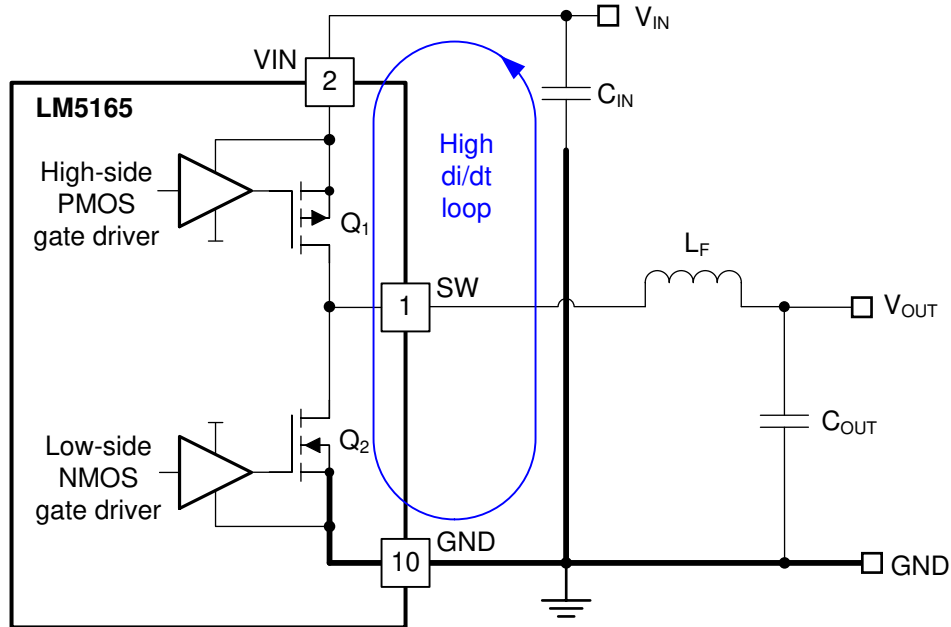


Figure 10-1. Synchronous Buck Converter With Power Stage Critical Switching Loop

The input capacitor provides the primary path for the high di/dt components of the high-side MOSFET's current. Placing a ceramic capacitor as close as possible to the V_{IN} and GND pins is the key to EMI reduction. Keep the trace connecting SW to the inductor as short as possible and just wide enough to carry the load current without excessive heating. Use short, thick traces or copper pours (shapes) for current conduction path to minimize parasitic resistance. Place the output capacitor close to the V_{OUT} side of the inductor, and connect the capacitor's return terminal to the LM5165's GND pin and exposed PAD.

10.1.2 Feedback Resistor Layout

For the adjustable output voltage version of the LM5165, reduce noise sensitivity of the output voltage feedback path by placing the resistor divider close to the FB pin, rather than close to the load. This reduces the trace length of FB signal and noise coupling. The FB pin is the input to the feedback comparator and, as such, is a high impedance node sensitive to noise. The output node is a low impedance node, so the trace from V_{OUT} to the resistor divider can be long if a short path is not available.

Route the voltage sense trace from the load to the feedback resistor divider away from the SW node path, the inductor and V_{IN} path to avoid contaminating the feedback signal with switch noise, while also minimizing the trace length. This is most important when high feedback resistances, greater than 100 k Ω , are used to set the output voltage. Also, route the voltage sense trace on a different layer from the inductor, SW node and V_{IN} path, such that there is a ground plane that separates the feedback trace from the inductor and SW node copper polygon. This provides further shielding for the voltage feedback path from switching noise sources.

10.2 Layout Example

Figure 10-2 shows an example layout for the PCB top layer of a single-sided design. The bottom layer is essentially a full ground plane except for short connecting traces for SW, EN, and PGOOD.

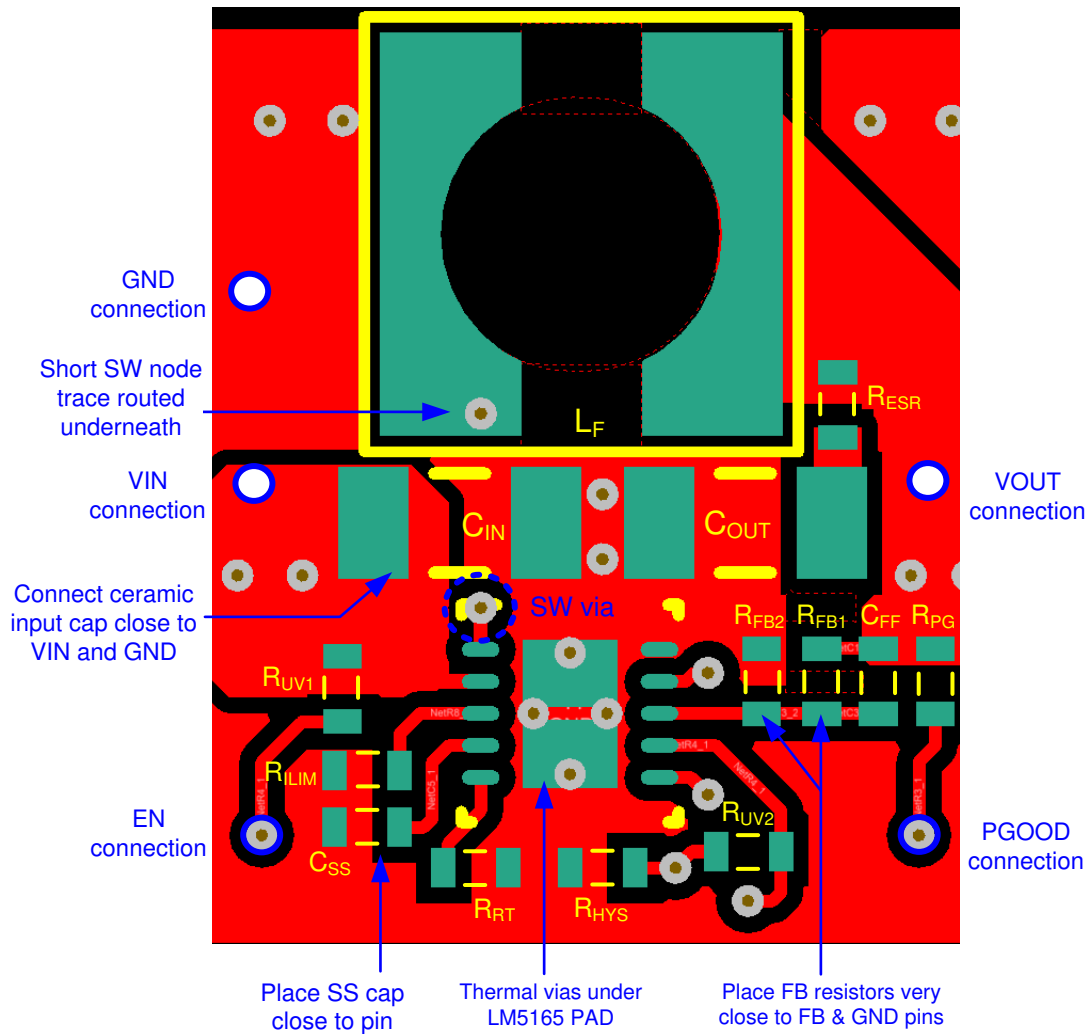


Figure 10-2. PCB Layout Example

11 Device and Documentation Support

11.1 Device Support

11.1.1 Third-Party Products Disclaimer

TI'S PUBLICATION OF INFORMATION REGARDING THIRD-PARTY PRODUCTS OR SERVICES DOES NOT CONSTITUTE AN ENDORSEMENT REGARDING THE SUITABILITY OF SUCH PRODUCTS OR SERVICES OR A WARRANTY, REPRESENTATION OR ENDORSEMENT OF SUCH PRODUCTS OR SERVICES, EITHER ALONE OR IN COMBINATION WITH ANY TI PRODUCT OR SERVICE.

11.1.2 Development Support

For development support, see the following:

- LM5165 [Quick-start Design Tool](#)
- LM5165 [Simulation Models](#)
- For TI's reference design library, visit [TIDesigns](#)
- For TI's WEBENCH Design Environment, visit the [WEBENCH® Design Center](#)
- To view a related device of this product, see the [LM5166](#)

11.1.3 Custom Design With WEBENCH® Tools

[Click here](#) to create a custom design using the LM5165 device with WEBENCH® Power Designer.

1. Start by entering the input voltage (V_{IN}), output voltage (V_{OUT}), and output current (I_{OUT}) requirements.
2. Optimize the design for key parameters such as efficiency, footprint, and cost using the optimizer dial.
3. Compare the generated design with other possible solutions from Texas Instruments.

The WEBENCH Power Designer provides a customized schematic along with a list of materials with real-time pricing and component availability.

In most cases, these actions are available:

- Run electrical simulations to see important waveforms and circuit performance
- Run thermal simulations to understand board thermal performance
- Export customized schematic and layout into popular CAD formats
- Print PDF reports for the design, and share the design with colleagues

Get more information about WEBENCH tools at www.ti.com/WEBENCH.

11.2 Documentation Support

11.2.1 Related Documentation

For related documentation, see the following:

- [LM5165EVM-HD-P50A EVM User's Guide](#) (SNVU474)
- [LM5165EVM-HD-C50X EVM User's Guide](#) (SNVU511)
- [LM5166EVM-C50A EVM User's Guide](#) (SNVU485)
- [Low- \$I_Q\$ Synchronous Buck Converter Enables Intelligent Field-sensor Applications](#) (SLYT671)
- [Low EMI Buck Converter Powers a Multivariable Sensor Transmitter with BLE Connectivity](#) (SLYT693)
- TI Designs:
 - [Field Transmitter with Bluetooth® Low Energy Connectivity Powered from 4 to 20-mA Current Loop](#) (TIDUC27)
 - [24-V AC Power Stage with Wide \$V_{IN}\$ Converter and Battery Backup for Smart Thermostat](#) (TIDUCE1)
 - [24-V AC Power Stage with Wide \$V_{IN}\$ Converter and Battery Gauge for Smart Thermostat](#) (TIDUCW0)
- Industrial Strength Blogs:
 - [Powering Smart Sensor Transmitters in Industrial Applications](#)
 - [Trends in Building Automation: Predictive Maintenance](#)
 - [Trends in Building Automation: Connected Sensors for User Comfort](#)

- White Paper:
 - [Valuing Wide \$V_{IN}\$, Low-EMI Synchronous Buck Circuits for Cost-Effective, Demanding Applications](#) (SLYY104)
- [Selecting an Ideal Ripple Generation Network for Your COT Buck Converter](#) (SNVA776)
- [AN-2162: Simple Success with Conducted EMI from DC-DC Converters](#) (SNVA489)
- [Automotive Cranking Simulator User's Guide](#) (SLVU984)
- [Using New Thermal Metrics](#) (SBVA025)
- [Semiconductor and IC Package Thermal Metrics](#) (SPRA953)

11.3 Receiving Notification of Documentation Updates

To receive notification of documentation updates, navigate to the device product folder on ti.com. Click on *Subscribe to updates* to register and receive a weekly digest of any product information that has changed. For change details, review the revision history included in any revised document.

11.4 Support Resources

[TI E2E™ support forums](#) are an engineer's go-to source for fast, verified answers and design help — straight from the experts. Search existing answers or ask your own question to get the quick design help you need.

Linked content is provided "AS IS" by the respective contributors. They do not constitute TI specifications and do not necessarily reflect TI's views; see TI's [Terms of Use](#).

11.5 Trademarks

TI E2E™ is a trademark of Texas Instruments.

WEBENCH® are registered trademarks of Texas Instruments.

is a registered trademark of Texas Instruments.

All trademarks are the property of their respective owners.

11.6 Electrostatic Discharge Caution



This integrated circuit can be damaged by ESD. Texas Instruments recommends that all integrated circuits be handled with appropriate precautions. Failure to observe proper handling and installation procedures can cause damage.

ESD damage can range from subtle performance degradation to complete device failure. Precision integrated circuits may be more susceptible to damage because very small parametric changes could cause the device not to meet its published specifications.

11.7 Glossary

TI Glossary This glossary lists and explains terms, acronyms, and definitions.

12 Mechanical, Packaging, and Orderable Information

The following pages include mechanical packaging and orderable information. This information is the most current data available for the designated devices. This data is subject to change without notice and revision of this document. For browser-based versions of this datasheet, refer to the left-hand navigation.

PACKAGING INFORMATION

| Orderable Device | Status (1) | Package Type | Package Drawing | Pins | Package Qty | Eco Plan (2) | Lead finish/ Ball material (6) | MSL Peak Temp (3) | Op Temp (°C) | Device Marking (4/5) | Samples |
|------------------|---------------|--------------|-----------------|------|-------------|-----------------|--------------------------------------|----------------------|--------------|-------------------------|-------------------------|
| LM5165DRCR | ACTIVE | VSON | DRC | 10 | 3000 | RoHS & Green | NIPDAU | Level-2-260C-1 YEAR | -40 to 150 | 5165 | Samples |
| LM5165DRCT | ACTIVE | VSON | DRC | 10 | 250 | RoHS & Green | NIPDAU | Level-2-260C-1 YEAR | -40 to 150 | 5165 | Samples |
| LM5165XDRCR | ACTIVE | VSON | DRC | 10 | 3000 | RoHS & Green | NIPDAU | Level-2-260C-1 YEAR | -40 to 150 | 5165X | Samples |
| LM5165XRCT | ACTIVE | VSON | DRC | 10 | 250 | RoHS & Green | NIPDAU | Level-2-260C-1 YEAR | -40 to 150 | 5165X | Samples |
| LM5165YDRCR | ACTIVE | VSON | DRC | 10 | 3000 | RoHS & Green | NIPDAU | Level-2-260C-1 YEAR | -40 to 150 | 5165Y | Samples |
| LM5165YDRCT | ACTIVE | VSON | DRC | 10 | 250 | RoHS & Green | NIPDAU | Level-2-260C-1 YEAR | -40 to 150 | 5165Y | Samples |

(1) The marketing status values are defined as follows:

ACTIVE: Product device recommended for new designs.

LIFEBUY: TI has announced that the device will be discontinued, and a lifetime-buy period is in effect.

NRND: Not recommended for new designs. Device is in production to support existing customers, but TI does not recommend using this part in a new design.

PREVIEW: Device has been announced but is not in production. Samples may or may not be available.

OBSOLETE: TI has discontinued the production of the device.

(2) **RoHS:** TI defines "RoHS" to mean semiconductor products that are compliant with the current EU RoHS requirements for all 10 RoHS substances, including the requirement that RoHS substance do not exceed 0.1% by weight in homogeneous materials. Where designed to be soldered at high temperatures, "RoHS" products are suitable for use in specified lead-free processes. TI may reference these types of products as "Pb-Free".

RoHS Exempt: TI defines "RoHS Exempt" to mean products that contain lead but are compliant with EU RoHS pursuant to a specific EU RoHS exemption.

Green: TI defines "Green" to mean the content of Chlorine (Cl) and Bromine (Br) based flame retardants meet JS709B low halogen requirements of <=1000ppm threshold. Antimony trioxide based flame retardants must also meet the <=1000ppm threshold requirement.

(3) MSL, Peak Temp. - The Moisture Sensitivity Level rating according to the JEDEC industry standard classifications, and peak solder temperature.

(4) There may be additional marking, which relates to the logo, the lot trace code information, or the environmental category on the device.

(5) Multiple Device Markings will be inside parentheses. Only one Device Marking contained in parentheses and separated by a "~" will appear on a device. If a line is indented then it is a continuation of the previous line and the two combined represent the entire Device Marking for that device.

(6) Lead finish/Ball material - Orderable Devices may have multiple material finish options. Finish options are separated by a vertical ruled line. Lead finish/Ball material values may wrap to two lines if the finish value exceeds the maximum column width.

Important Information and Disclaimer: The information provided on this page represents TI's knowledge and belief as of the date that it is provided. TI bases its knowledge and belief on information provided by third parties, and makes no representation or warranty as to the accuracy of such information. Efforts are underway to better integrate information from third parties. TI has taken and continues to take reasonable steps to provide representative and accurate information but may not have conducted destructive testing or chemical analysis on incoming materials and chemicals. TI and TI suppliers consider certain information to be proprietary, and thus CAS numbers and other limited information may not be available for release.

In no event shall TI's liability arising out of such information exceed the total purchase price of the TI part(s) at issue in this document sold by TI to Customer on an annual basis.

OTHER QUALIFIED VERSIONS OF LM5165 :

- Automotive: [LM5165-Q1](#)

NOTE: Qualified Version Definitions:

- Automotive - Q100 devices qualified for high-reliability automotive applications targeting zero defects

TAPE AND REEL INFORMATION

QUADRANT ASSIGNMENTS FOR PIN 1 ORIENTATION IN TAPE


*All dimensions are nominal

| Device | Package Type | Package Drawing | Pins | SPQ | Reel Diameter (mm) | Reel Width W1 (mm) | A0 (mm) | B0 (mm) | K0 (mm) | P1 (mm) | W (mm) | Pin1 Quadrant |
|-------------|--------------|-----------------|------|------|--------------------|--------------------|---------|---------|---------|---------|--------|---------------|
| LM5165DRCR | VSON | DRC | 10 | 3000 | 330.0 | 12.4 | 3.3 | 3.3 | 1.1 | 8.0 | 12.0 | Q2 |
| LM5165DRCT | VSON | DRC | 10 | 250 | 180.0 | 12.4 | 3.3 | 3.3 | 1.1 | 8.0 | 12.0 | Q2 |
| LM5165XDRCR | VSON | DRC | 10 | 3000 | 330.0 | 12.4 | 3.3 | 3.3 | 1.1 | 8.0 | 12.0 | Q2 |
| LM5165XDRCT | VSON | DRC | 10 | 250 | 180.0 | 12.4 | 3.3 | 3.3 | 1.1 | 8.0 | 12.0 | Q2 |
| LM5165YDRCR | VSON | DRC | 10 | 3000 | 330.0 | 12.4 | 3.3 | 3.3 | 1.1 | 8.0 | 12.0 | Q2 |
| LM5165YDRCT | VSON | DRC | 10 | 250 | 180.0 | 12.4 | 3.3 | 3.3 | 1.1 | 8.0 | 12.0 | Q2 |

TAPE AND REEL BOX DIMENSIONS


*All dimensions are nominal

| Device | Package Type | Package Drawing | Pins | SPQ | Length (mm) | Width (mm) | Height (mm) |
|-------------|--------------|-----------------|------|------|-------------|------------|-------------|
| LM5165DRCR | VSON | DRC | 10 | 3000 | 367.0 | 367.0 | 35.0 |
| LM5165DRCT | VSON | DRC | 10 | 250 | 210.0 | 185.0 | 35.0 |
| LM5165XDRCR | VSON | DRC | 10 | 3000 | 367.0 | 367.0 | 35.0 |
| LM5165XDRCT | VSON | DRC | 10 | 250 | 210.0 | 185.0 | 35.0 |
| LM5165YDRCR | VSON | DRC | 10 | 3000 | 367.0 | 367.0 | 35.0 |
| LM5165YDRCT | VSON | DRC | 10 | 250 | 210.0 | 185.0 | 35.0 |

GENERIC PACKAGE VIEW

DRC 10

VSON - 1 mm max height

3 x 3, 0.5 mm pitch

PLASTIC SMALL OUTLINE - NO LEAD

This image is a representation of the package family, actual package may vary.
Refer to the product data sheet for package details.



4226193/A

EXAMPLE BOARD LAYOUT

DRC0010J

VSON - 1 mm max height

PLASTIC SMALL OUTLINE - NO LEAD



LAND PATTERN EXAMPLE
EXPOSED METAL SHOWN
SCALE:20X



SOLDER MASK DETAILS

4218878/B 07/2018

NOTES: (continued)

4. This package is designed to be soldered to a thermal pad on the board. For more information, see Texas Instruments literature number SLUA271 (www.ti.com/lit/sluea271).
5. Vias are optional depending on application, refer to device data sheet. If any vias are implemented, refer to their locations shown on this view. It is recommended that vias under paste be filled, plugged or tented.

EXAMPLE STENCIL DESIGN

DRC0010J

VSON - 1 mm max height

PLASTIC SMALL OUTLINE - NO LEAD



SOLDER PASTE EXAMPLE
BASED ON 0.125 mm THICK STENCIL

EXPOSED PAD 11:
80% PRINTED SOLDER COVERAGE BY AREA
SCALE:25X

4218878/B 07/2018

NOTES: (continued)

6. Laser cutting apertures with trapezoidal walls and rounded corners may offer better paste release. IPC-7525 may have alternate design recommendations.

IMPORTANT NOTICE AND DISCLAIMER

TI PROVIDES TECHNICAL AND RELIABILITY DATA (INCLUDING DATASHEETS), DESIGN RESOURCES (INCLUDING REFERENCE DESIGNS), APPLICATION OR OTHER DESIGN ADVICE, WEB TOOLS, SAFETY INFORMATION, AND OTHER RESOURCES "AS IS" AND WITH ALL FAULTS, AND DISCLAIMS ALL WARRANTIES, EXPRESS AND IMPLIED, INCLUDING WITHOUT LIMITATION ANY IMPLIED WARRANTIES OF MERCHANTABILITY, FITNESS FOR A PARTICULAR PURPOSE OR NON-INFRINGEMENT OF THIRD PARTY INTELLECTUAL PROPERTY RIGHTS.

These resources are intended for skilled developers designing with TI products. You are solely responsible for (1) selecting the appropriate TI products for your application, (2) designing, validating and testing your application, and (3) ensuring your application meets applicable standards, and any other safety, security, or other requirements. These resources are subject to change without notice. TI grants you permission to use these resources only for development of an application that uses the TI products described in the resource. Other reproduction and display of these resources is prohibited. No license is granted to any other TI intellectual property right or to any third party intellectual property right. TI disclaims responsibility for, and you will fully indemnify TI and its representatives against, any claims, damages, costs, losses, and liabilities arising out of your use of these resources.

TI's products are provided subject to TI's Terms of Sale (www.ti.com/legal/termsofsale.html) or other applicable terms available either on ti.com or provided in conjunction with such TI products. TI's provision of these resources does not expand or otherwise alter TI's applicable warranties or warranty disclaimers for TI products.

Mailing Address: Texas Instruments, Post Office Box 655303, Dallas, Texas 75265
Copyright © 2020, Texas Instruments Incorporated