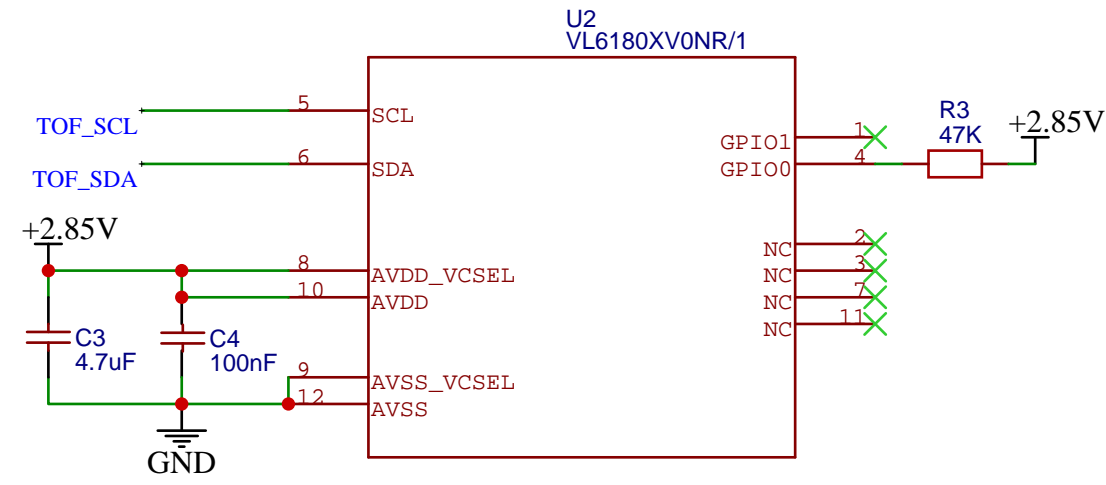
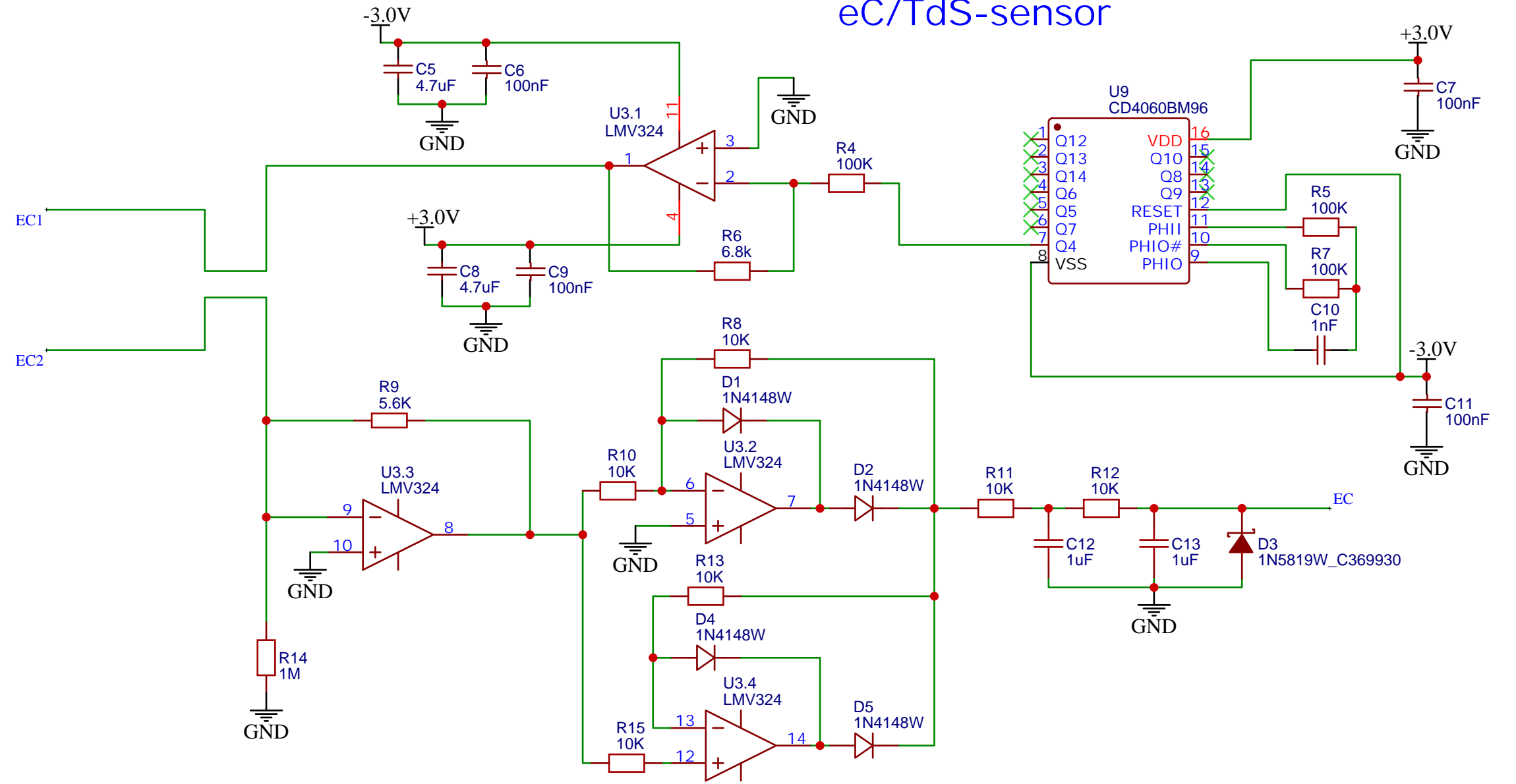


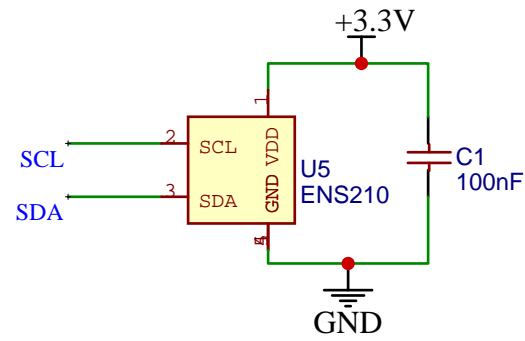
### TOF-Sensor (VL6180X)



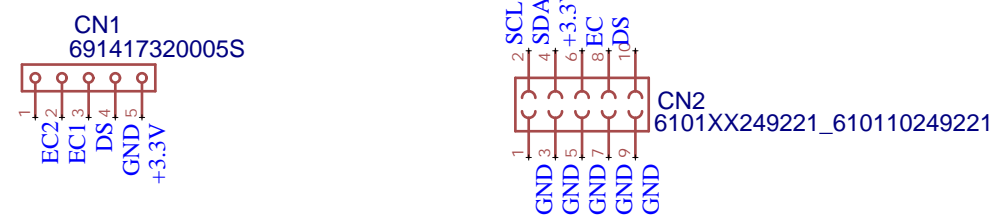
### eC/TdS-sensor



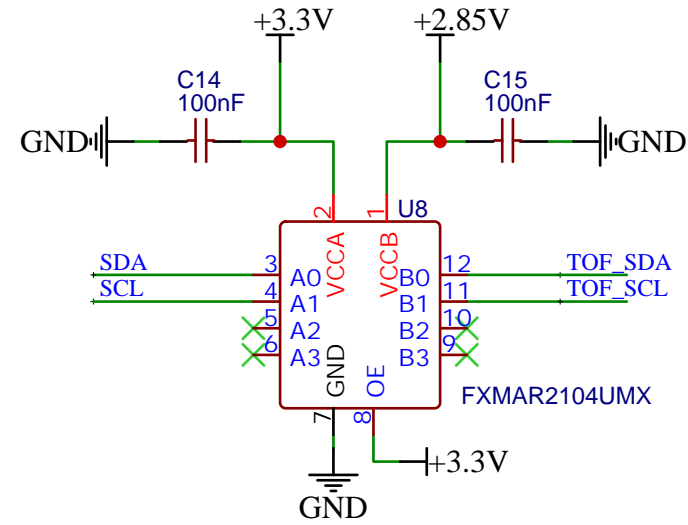
### Temp/Hum-Sensor (ENS210)



### Connectors



### Voltage Translator



### POWER (+5Vdc->+-3Vdc/+2.85Vdc)

