

www.DataSheet4U.com



www.fairchildsemi.com

## KA1H0165RN/KA1H0165R Fairchild Power Switch(FPS)

### Features

- Precision Fixed Operating Frequency (100kHz)
- Pulse by Pulse Over Current Limiting
- Over Load Protection
- Over Voltage Protection (Min. 23V)
- Internal Thermal Shutdown Function
- Under Voltage Lockout
- Internal High Voltage Sense FET
- Auto Restart Mode

### Description

The Fairchild Power Switch(FPS) product family is specially designed for an off line SMPS with minimal external components. The Fairchild Power Switch(FPS) consist of high voltage power SenseFET and current mode PWM controller IC. PWM controller features integrated fixed oscillator, under voltage lock out, leading edge blanking, optimized gate turn-on/turn-off driver, thermal shut down protection, over voltage protection, temperature compensated precision current sources for loop compensation and fault protection circuit compared to discrete MOSFET and controller or RCC switching converter solution The Fairchild Power Switch(FPS) can reduce total component count, design size, weight and at the same time increase & efficiency, productivity, and system reliability. It has a basic platform well suited for cost effective design in either a flyback converter or a forward converter.

#### 8-DIP



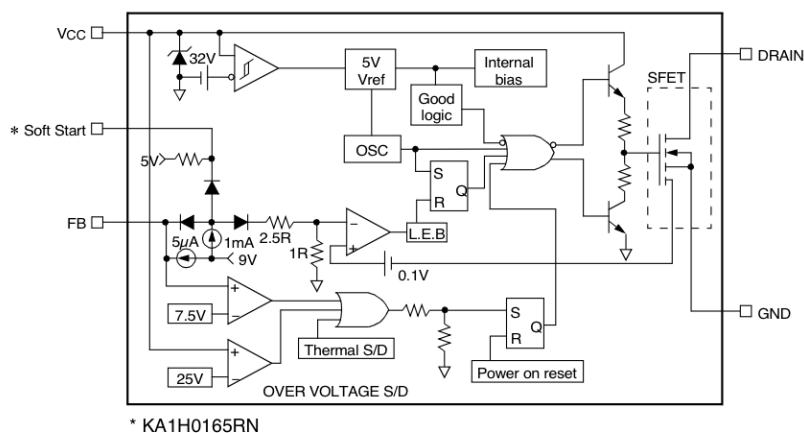
1. 1,6,7,8. Drain
2. GND
3. VCC
4. F/B
5. S/S

#### TO-220F-4L



1. GND
2. Drain
3. VCC
4. F/B

### Internal Block Diagram



\* KA1H0165RN

Rev.1.0.3



**ADVANCED**  
**INTERCONNECTIONS**

**Prototype to  
Production Volumes**  
IC Sockets • Adapters  
Board to Board Connectors

