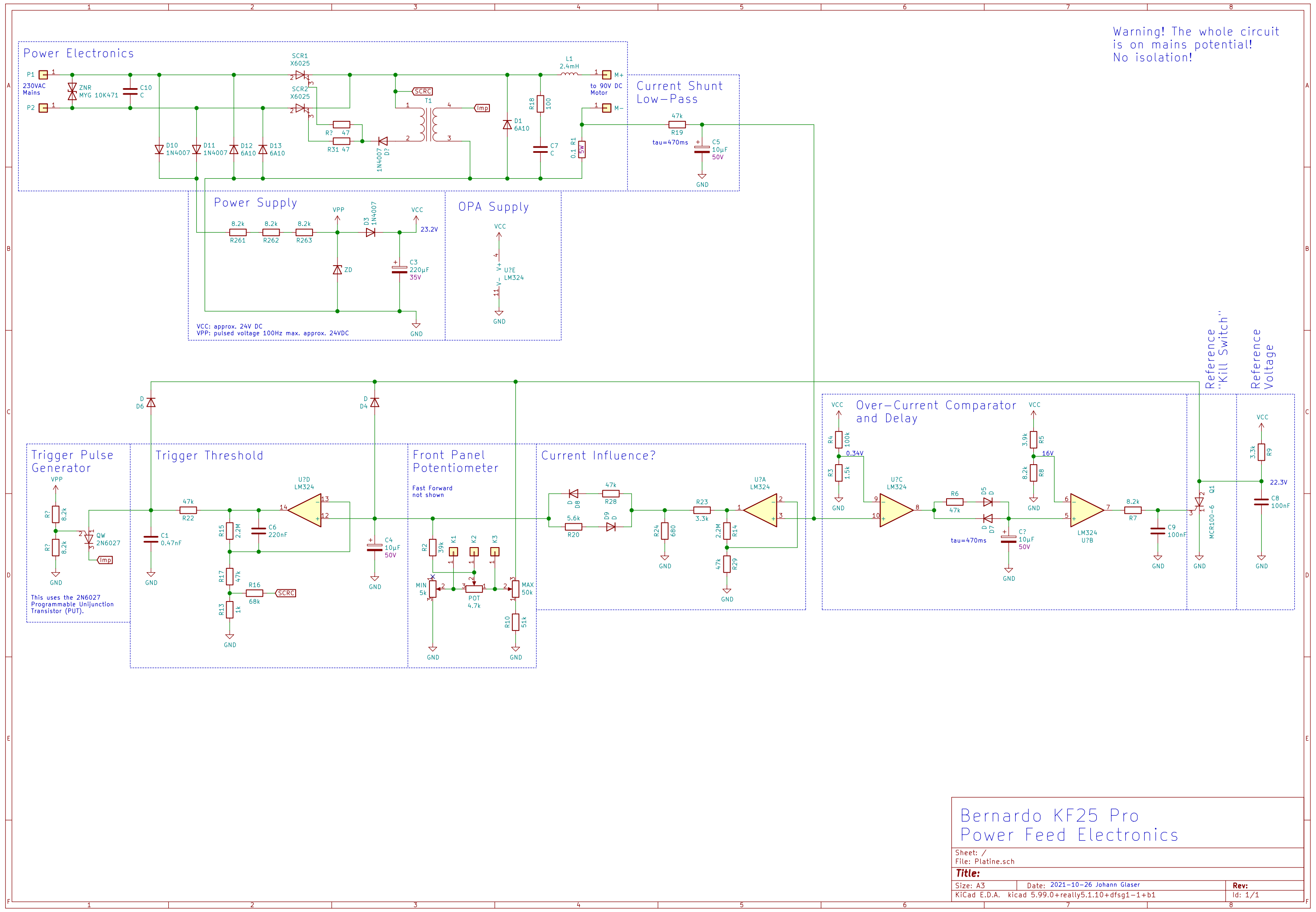


Warning! The whole circuit is on mains potential!  
No isolation!



**Bernardo KF25 Pro Power Feed Electronics**

Sheet: /  
File: Platine.sch

**Title:**

Size: A3 Date: 2021-10-26 Johann Glaser Rev:  
KiCad E.D.A. kicad 5.99.0+really5.1.10+dfsg1-1+b1 Id: 1/1