

3.5.2 Peripheral Schematics

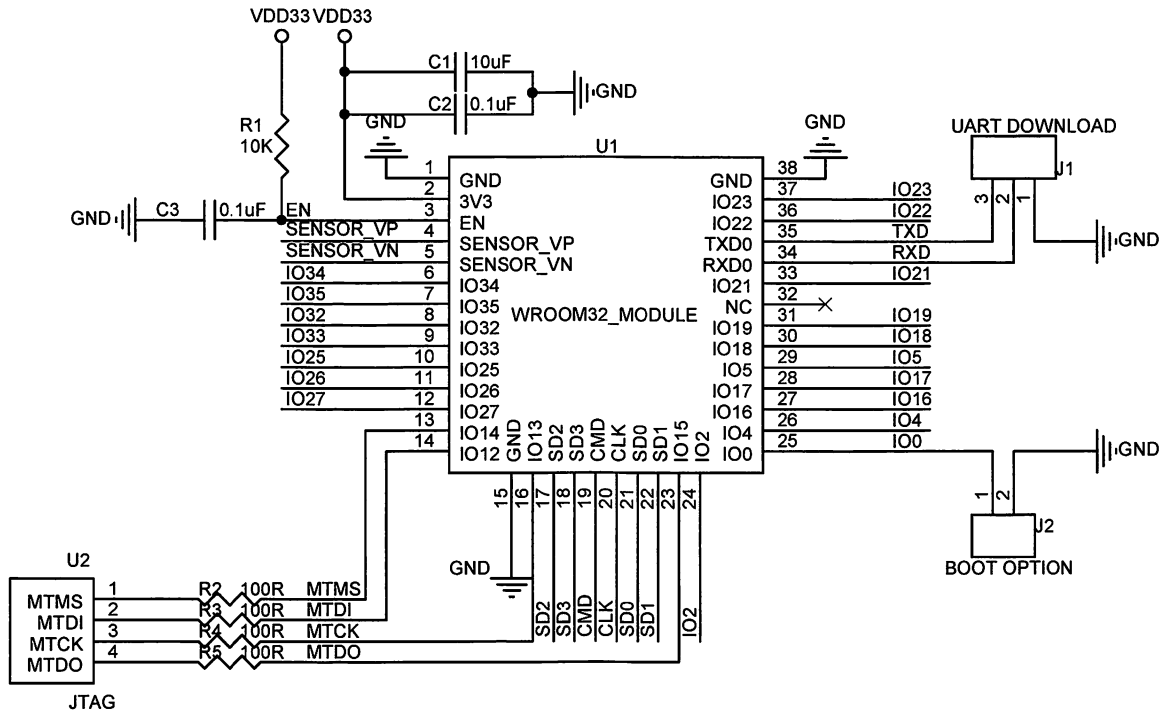


Figure 2: ESP-WROOM-32 Peripheral Schematics

Note:

The MTDI should be kept at low electric level.