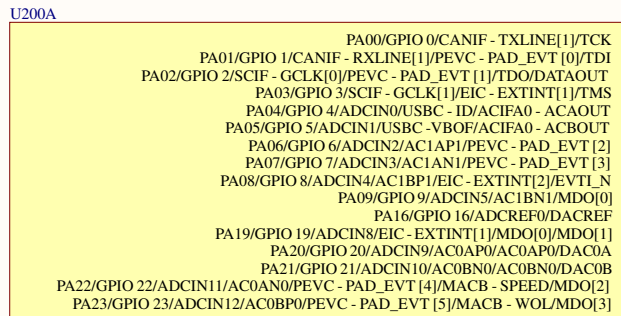
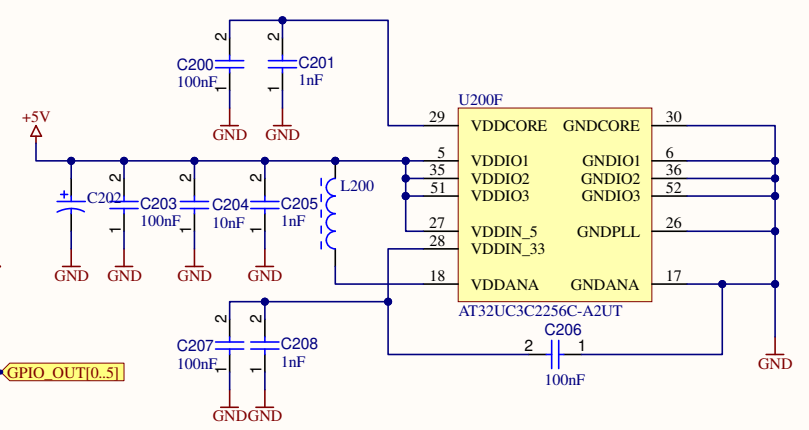
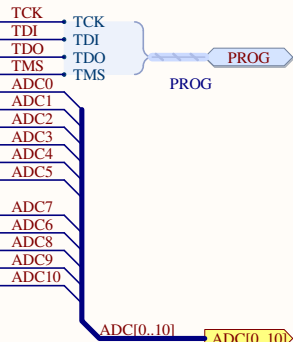


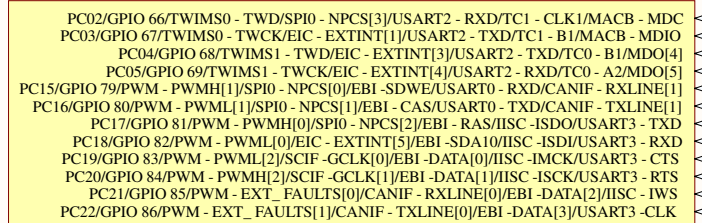
Title		
Size	Number	Revision
A4		
Date:	12.07.2021	Sheet of
File:	C:\Users\...\Übersicht.SchDoc	Drawn By:



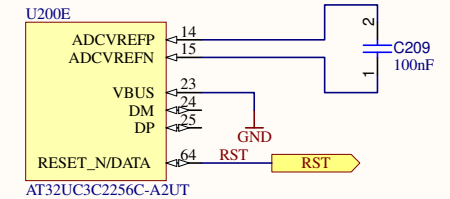
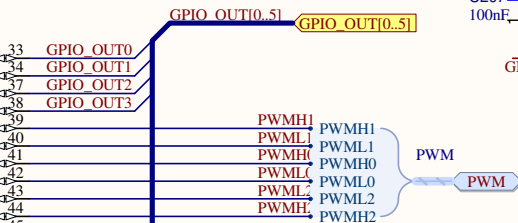
AT32UC3C2256C-A2UT



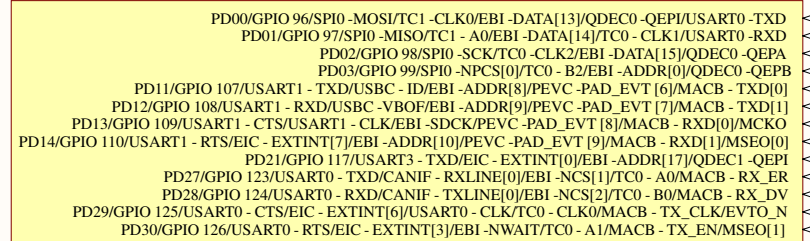
**U200C**



AT32UC3C2256C-A2UT

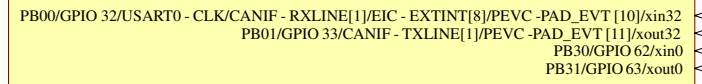


**U200D**

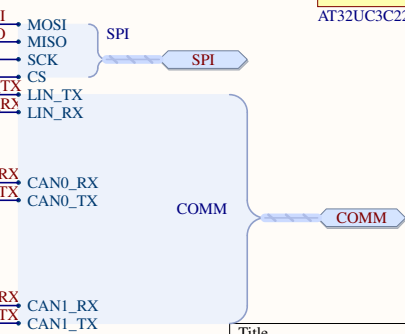


AT32UC3C2256C-A2UT

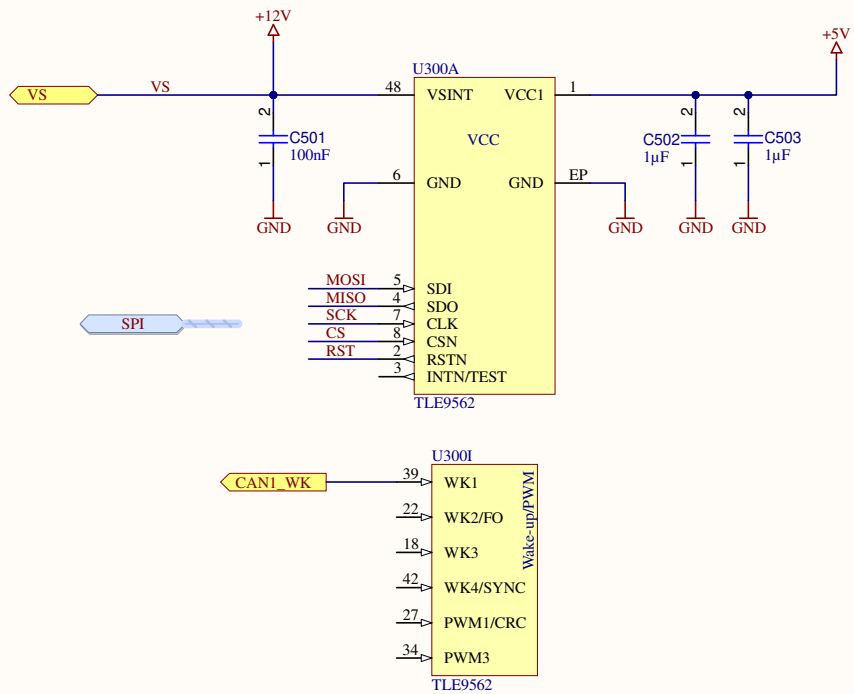
**U200B**



AT32UC3C2256C-A2UT

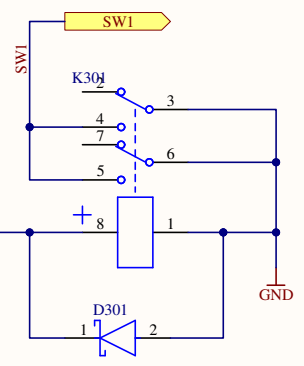
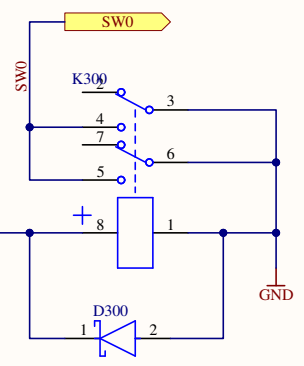
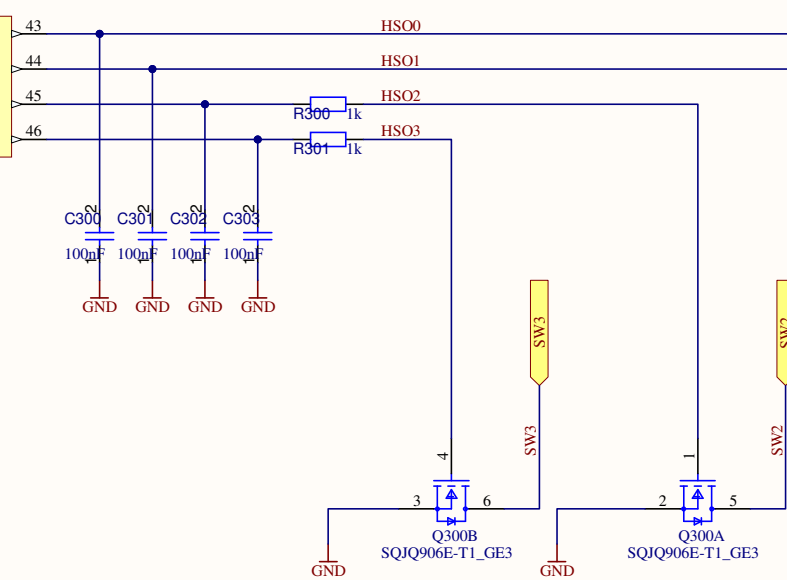


Title		
Size	Number	Revision
A4		
Date:	12.07.2021	Sheet of
File:	C:\Users\Avdili\B\Desktop\Klon\µC.Sch\Doc	Drawn By:

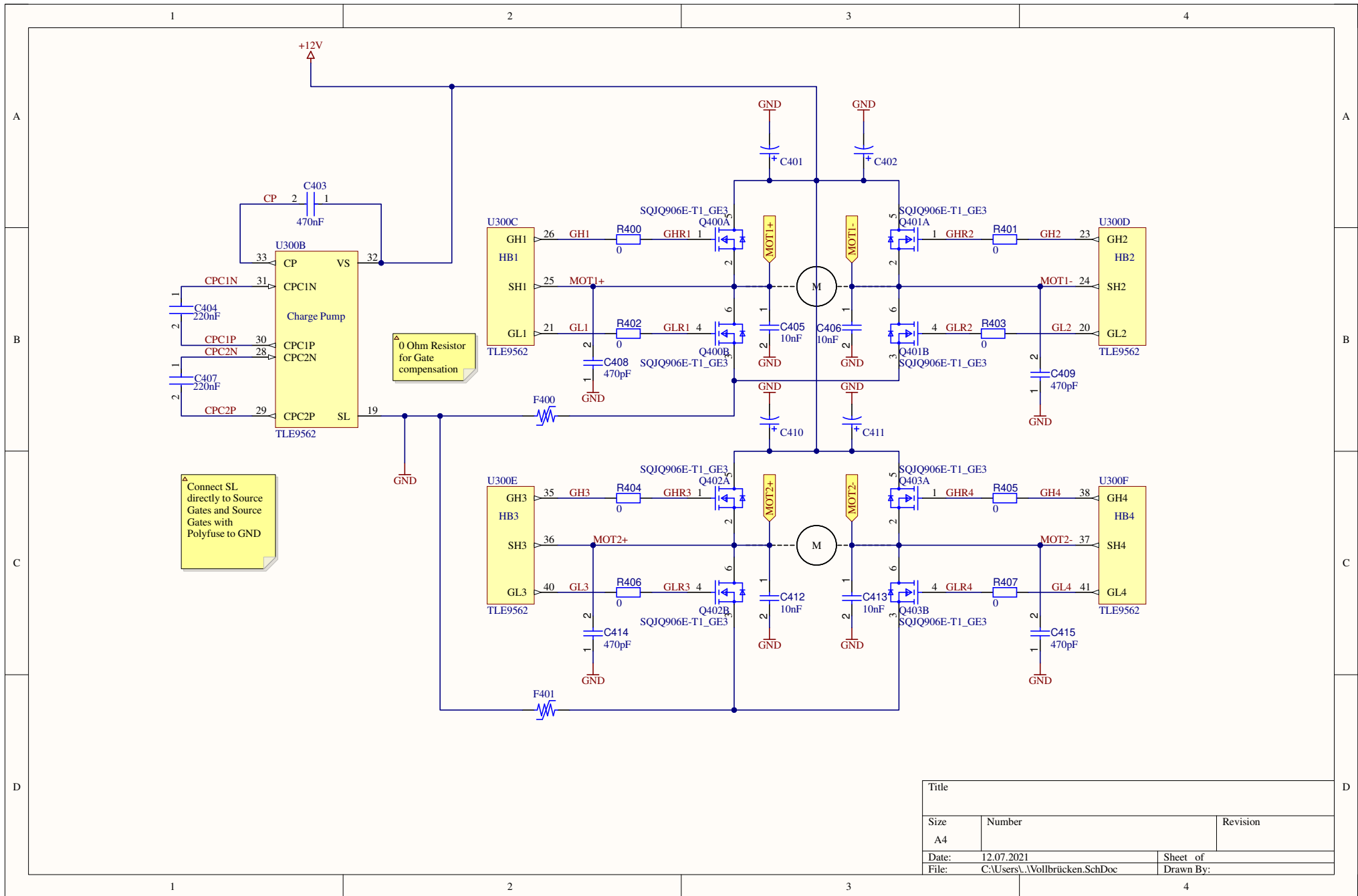


Title		
Size	Number	Revision
A4		
Date:	12.07.2021	Sheet of
File:	C:\Users\...\ASBC.SchDoc	Drawn By:

U300H  
High Side outputs  
TLE9562



Title		
Size	Number	Revision
A4		
Date:	12.07.2021	Sheet of
File:	C:\Users\...\Halbbrücken.SchDoc	Drawn By:



0 Ohm Resistor for Gate compensation

Connect SL directly to Source Gates and Source Gates with Polyfuse to GND

Title		
Size	Number	Revision
A4		
Date:	12.07.2021	Sheet of
File:	C:\Users\...\Wollbrücken.SchDoc	Drawn By:

1

2

3

4

A

A

B

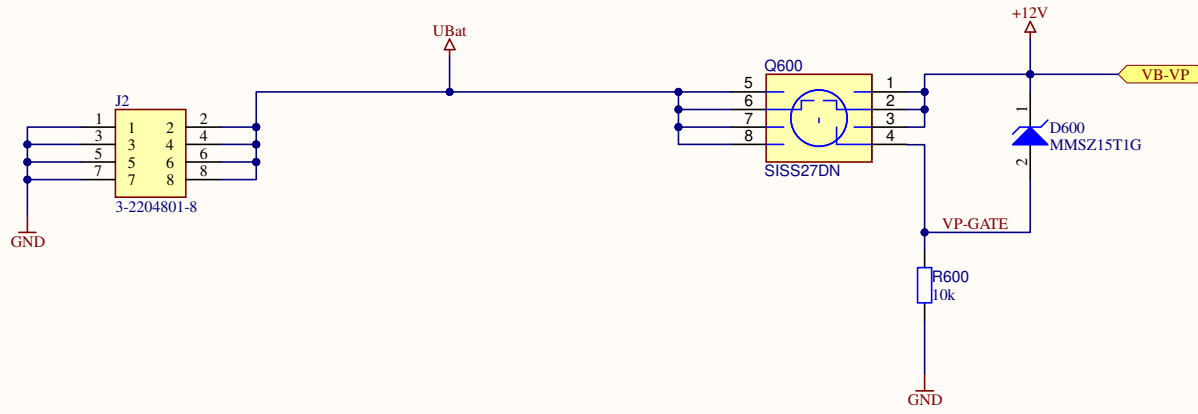
B

C

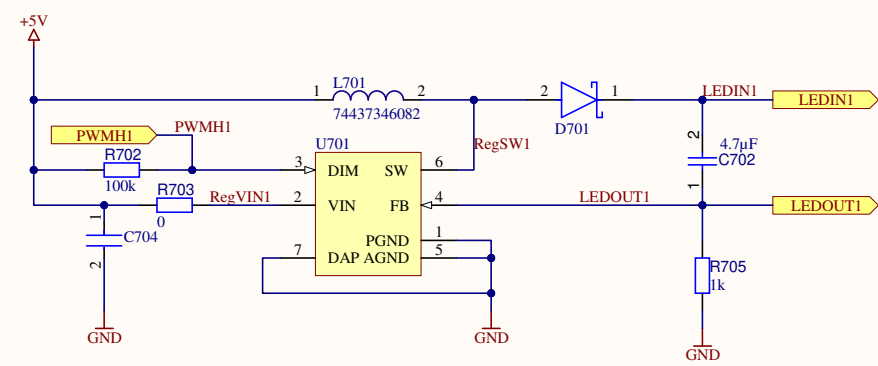
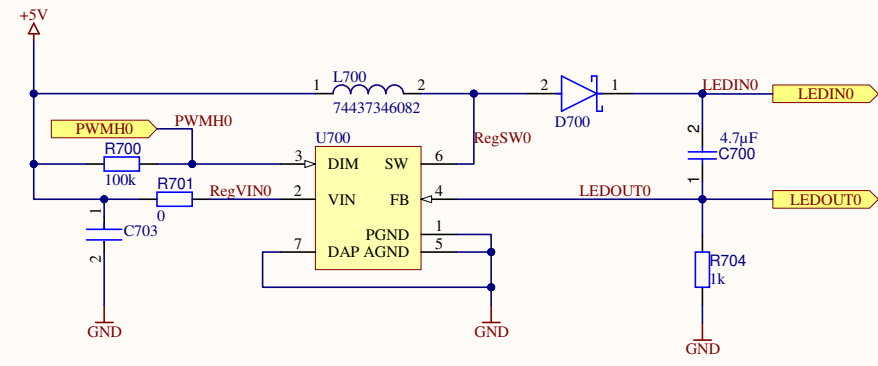
C

D

D

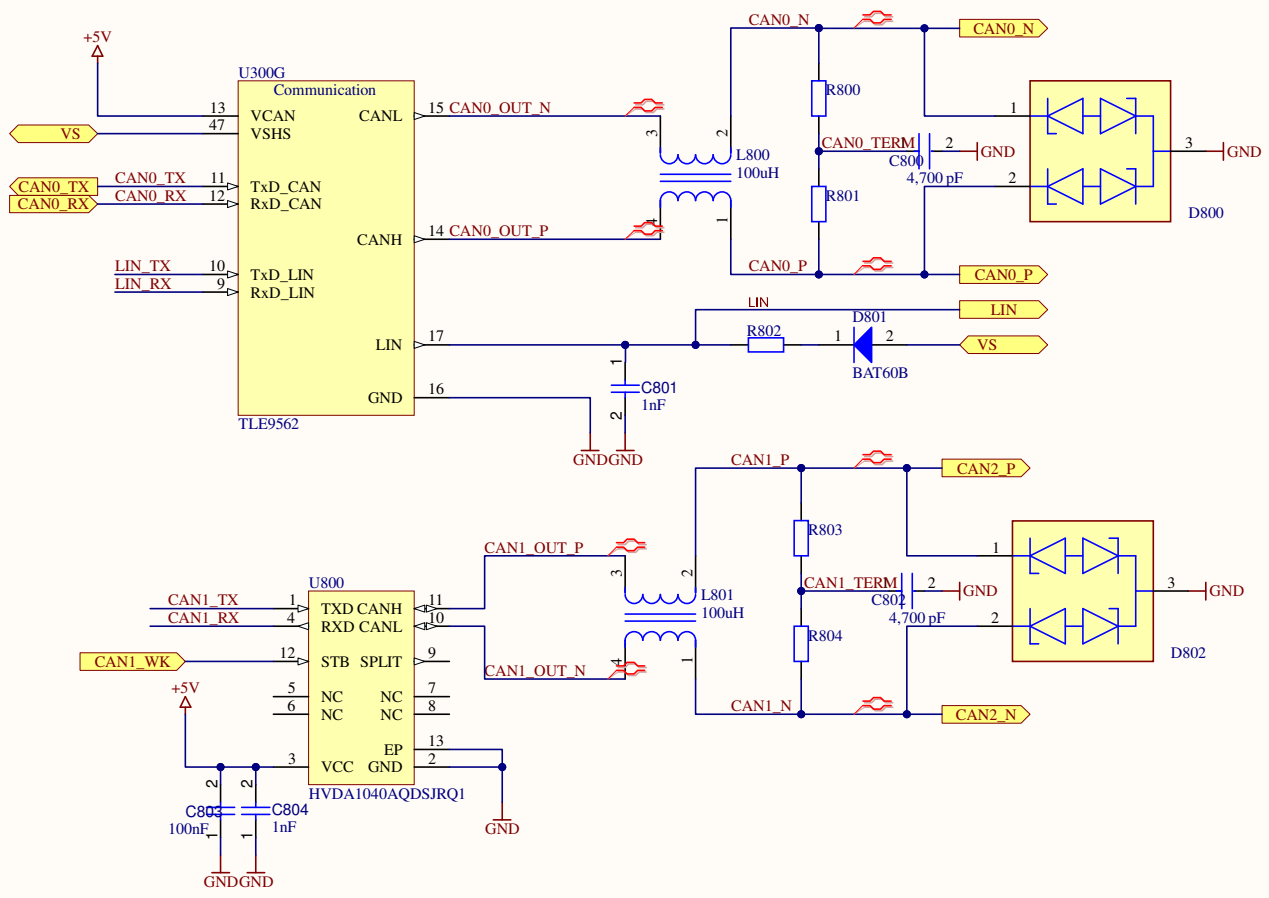


PWM



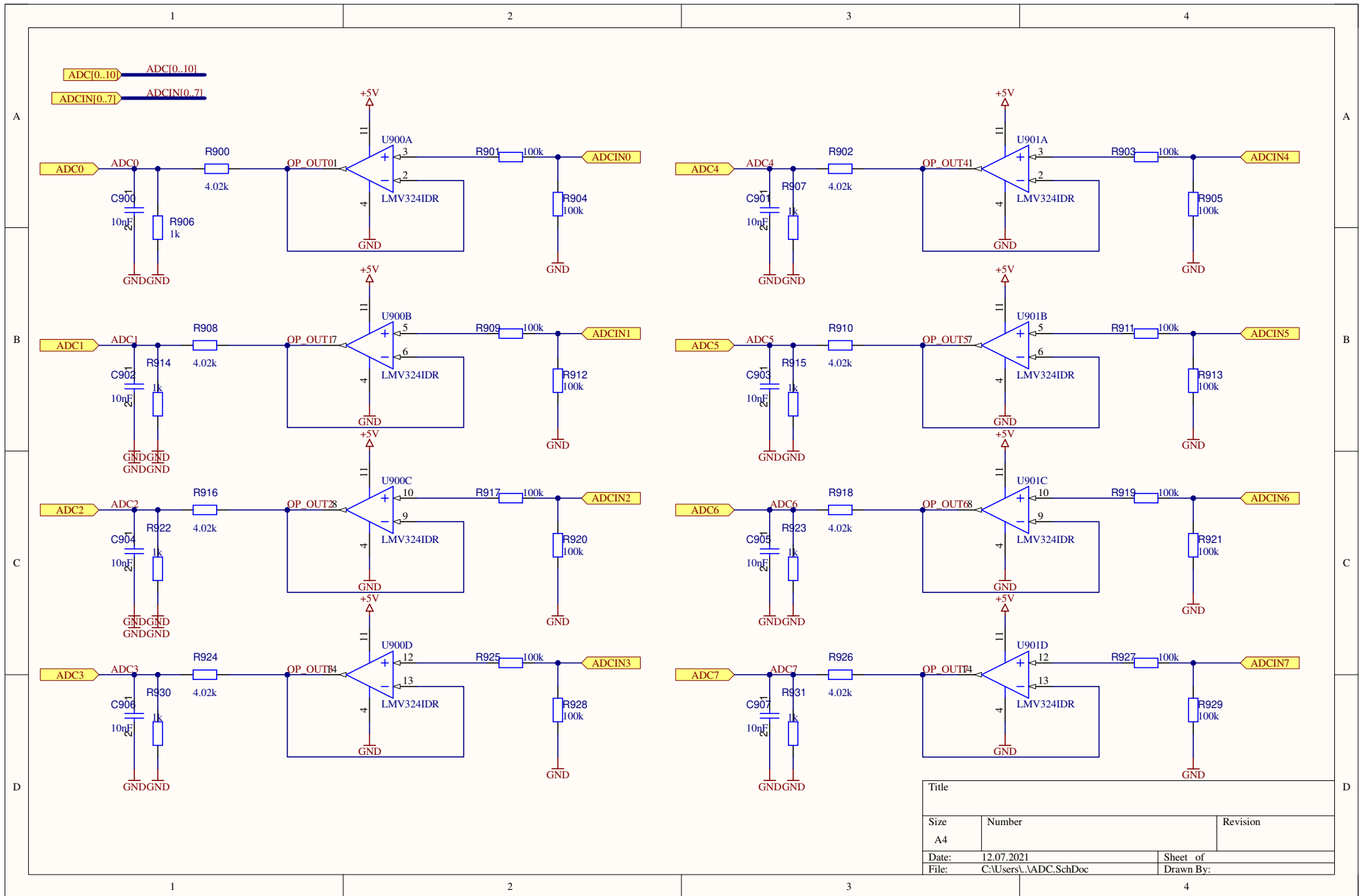
Title		
Size	Number	Revision
A4		
Date:	12.07.2021	Sheet of
File:	C:\Users\...\Regler.SchDoc	Drawn By:

COMM

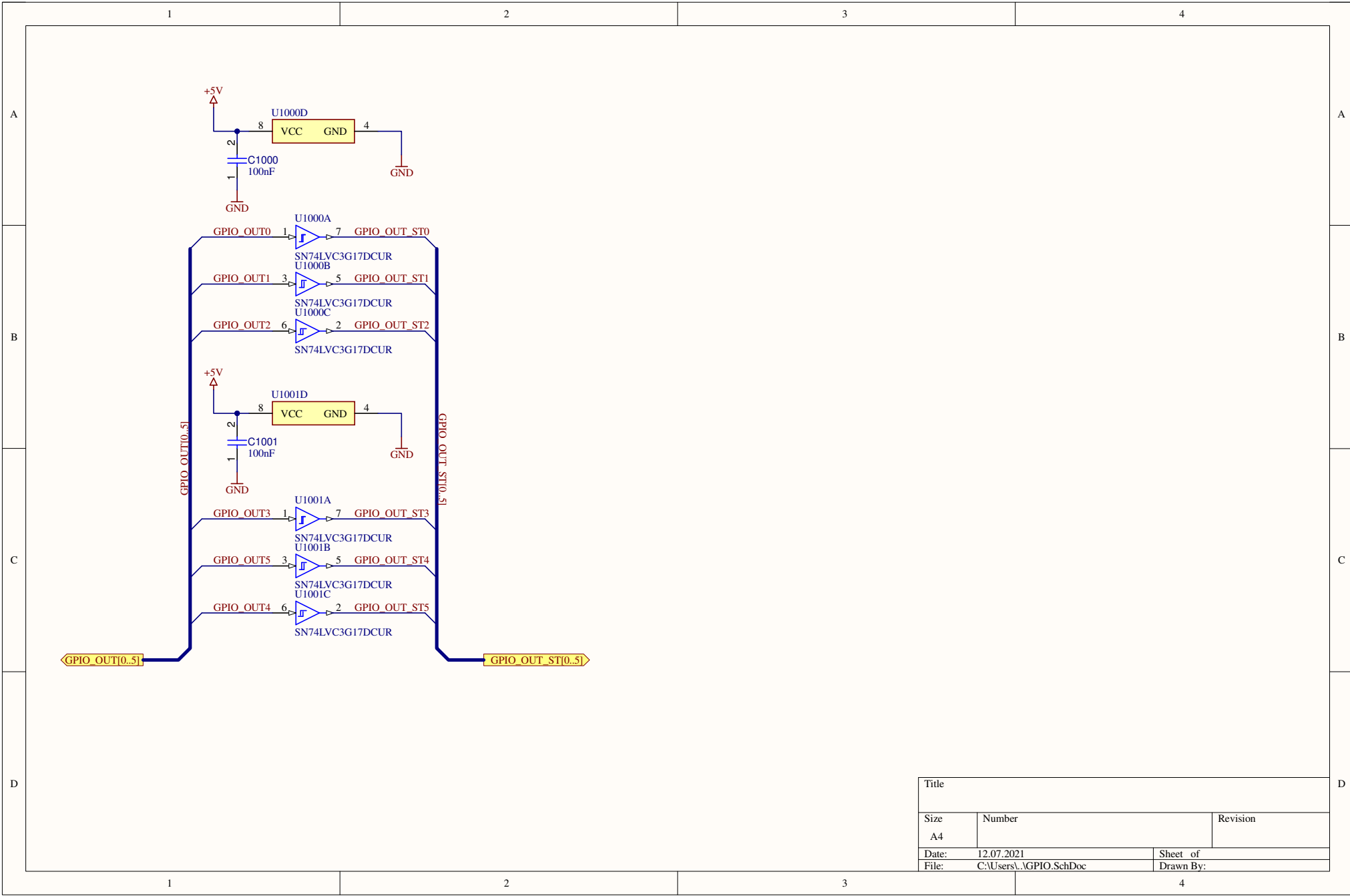


Title		
Size	Number	Revision
A4		
Date:	12.07.2021	Sheet of
File:	C:\Users\...\Kommunikation.SchDoc	Drawn By:





Title		
Size	Number	Revision
A4		
Date:	12.07.2021	Sheet of
File:	C:\Users\...\ADC.SchDoc	Drawn By:



Title		
Size	Number	Revision
A4		
Date:	12.07.2021	Sheet of
File:	C:\Users\...\GPIO.SchDoc	Drawn By: