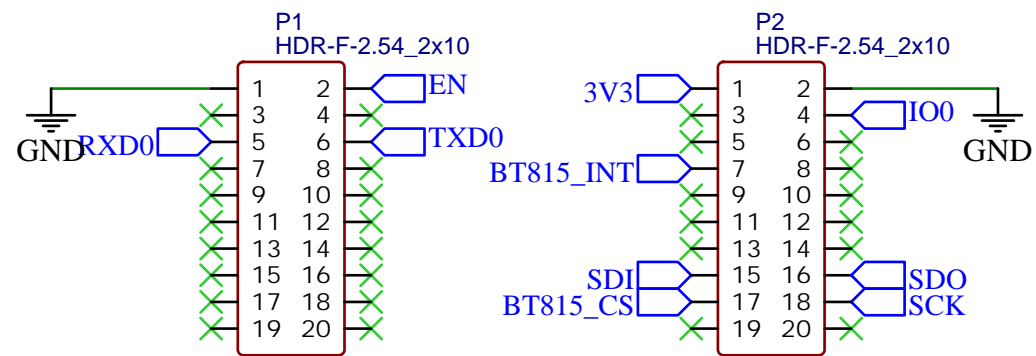
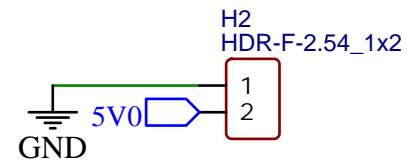
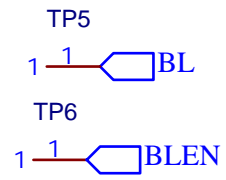
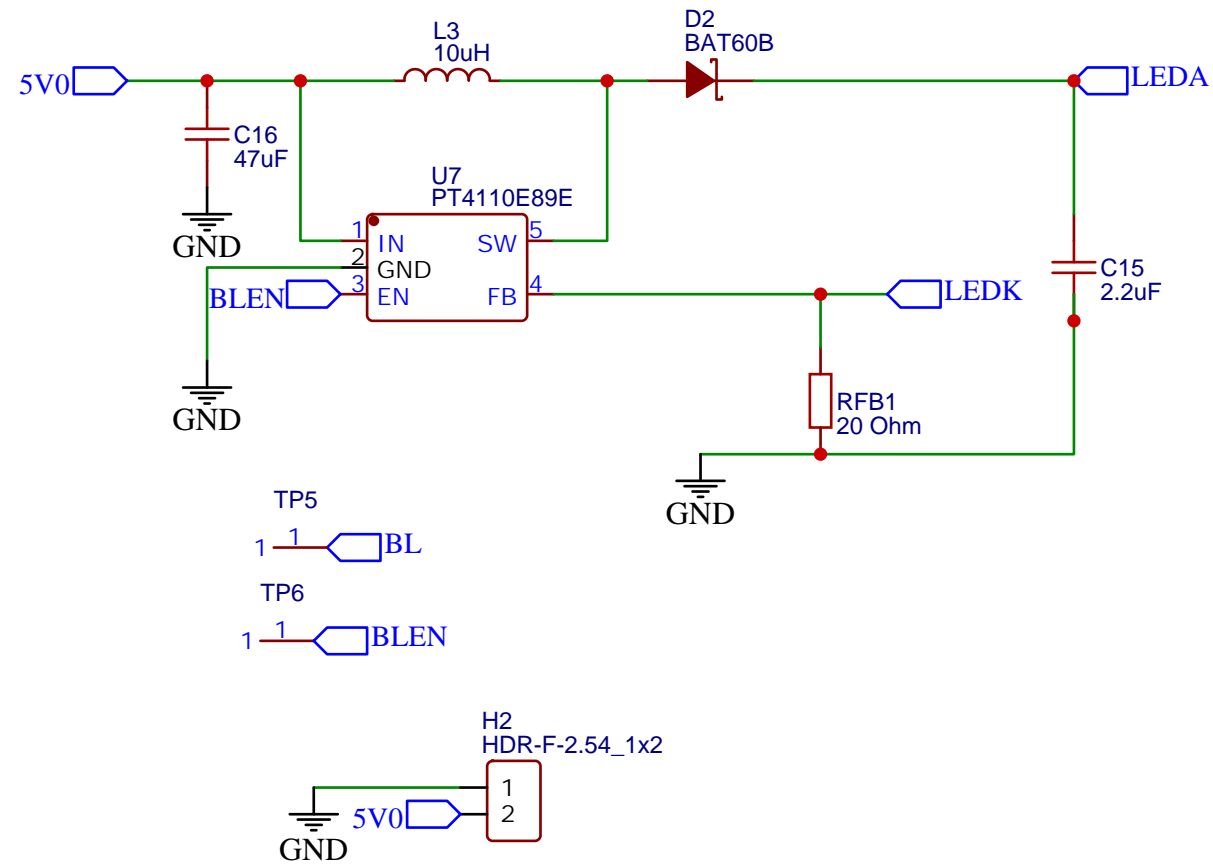


TITLE: Sheet_3		REV: 1.0
Company: Your Company		Sheet: 1/1
Date: 2021-02-05		Drawn By: sachma



IO14	SCK
IO12	SDO
IO13	SDI
IO15	BT815_CS
IO5	BT815_INT