

Sheet: Raspberry Pi

File: pi.sch

Sheet: fpga

File: fpga.sch

Sheet: IO

File: IO.sch

Sheet: Power

File: power.sch

Sheet: Flash for Bitstream_Clock

File: prog_flash.sch

Sheet: /
File: fpga_module.sch

Title:

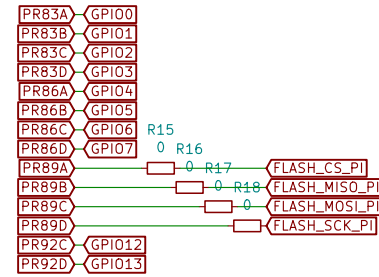
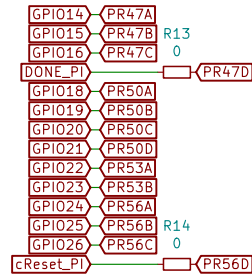
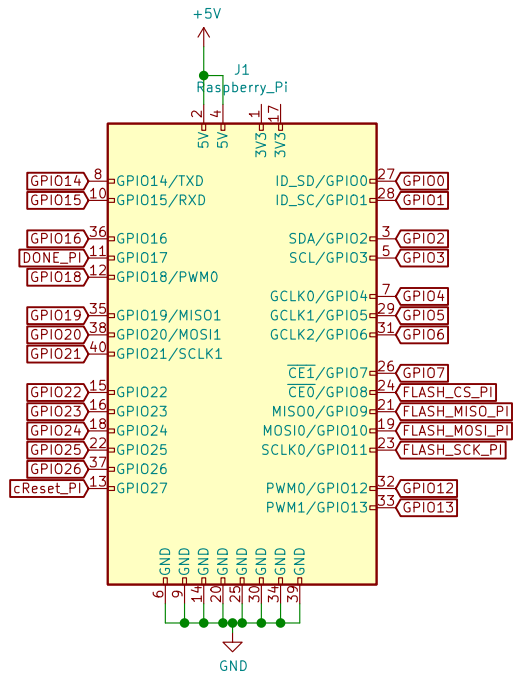
Size: A4

Date:

KiCad E.D.A. kicad (5.1.12)-1

Rev:

Id: 1/6

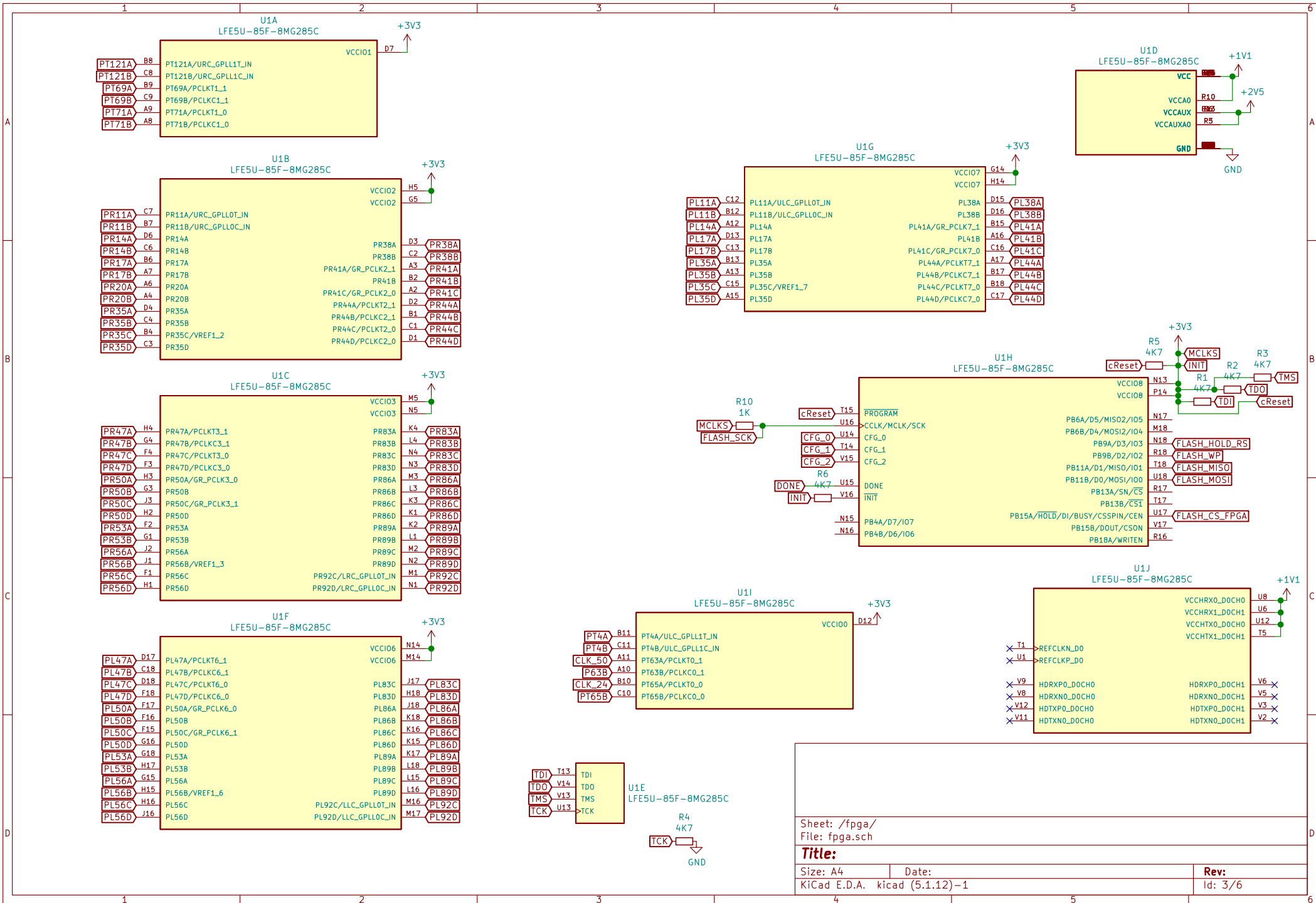


Sheet: /Raspberry Pi/
File: pi.sch

Title:

Size: A4 Date:
KiCad E.D.A. kicad (5.1.12)-1

Rev:
Id: 2/6



Sheet: /fpga/
File: fpga.sch

Title:

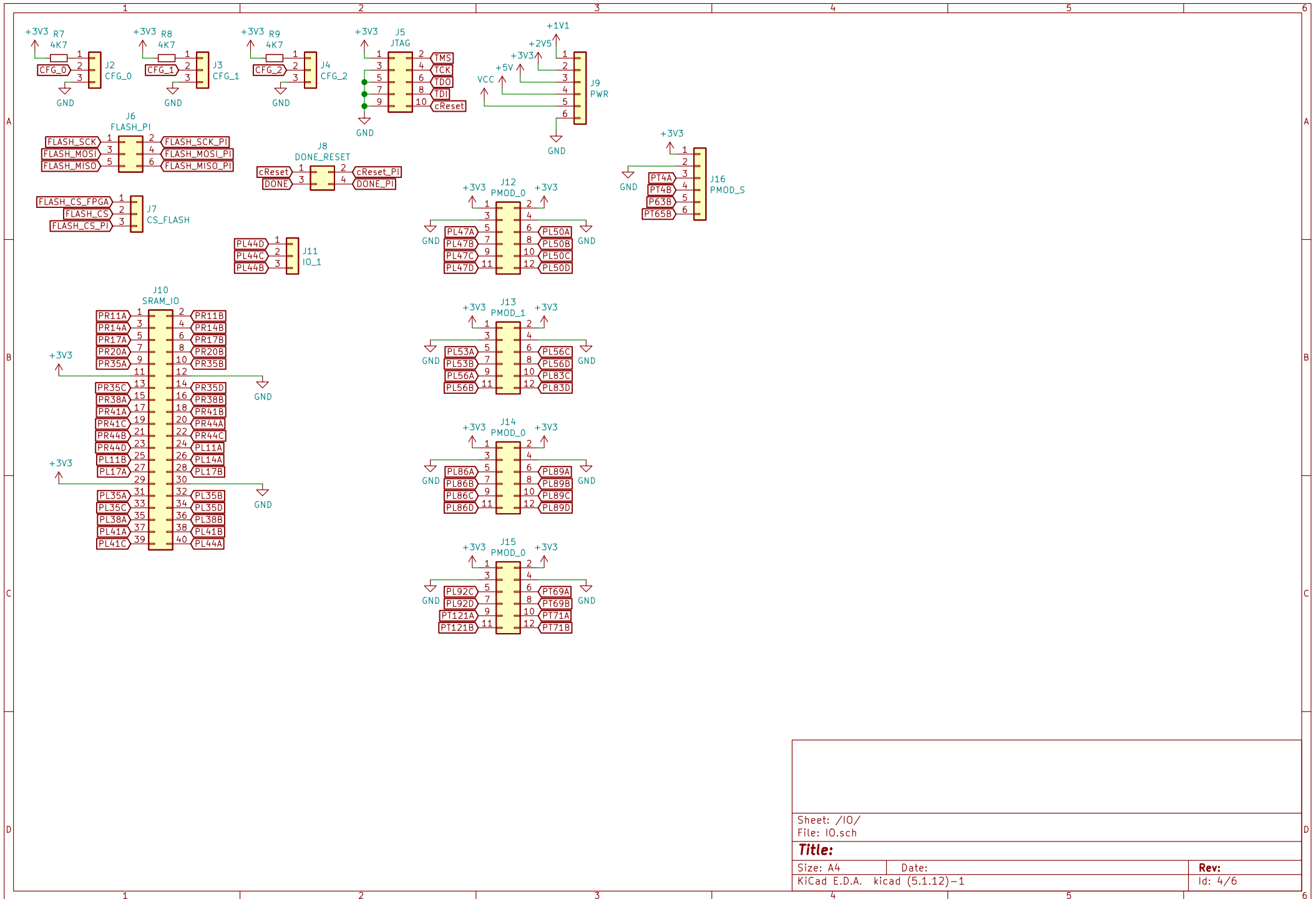
Size: A4

Date:

Rev:

KiCad E.D.A. kicad (5.1.12)-1

Id: 3/6

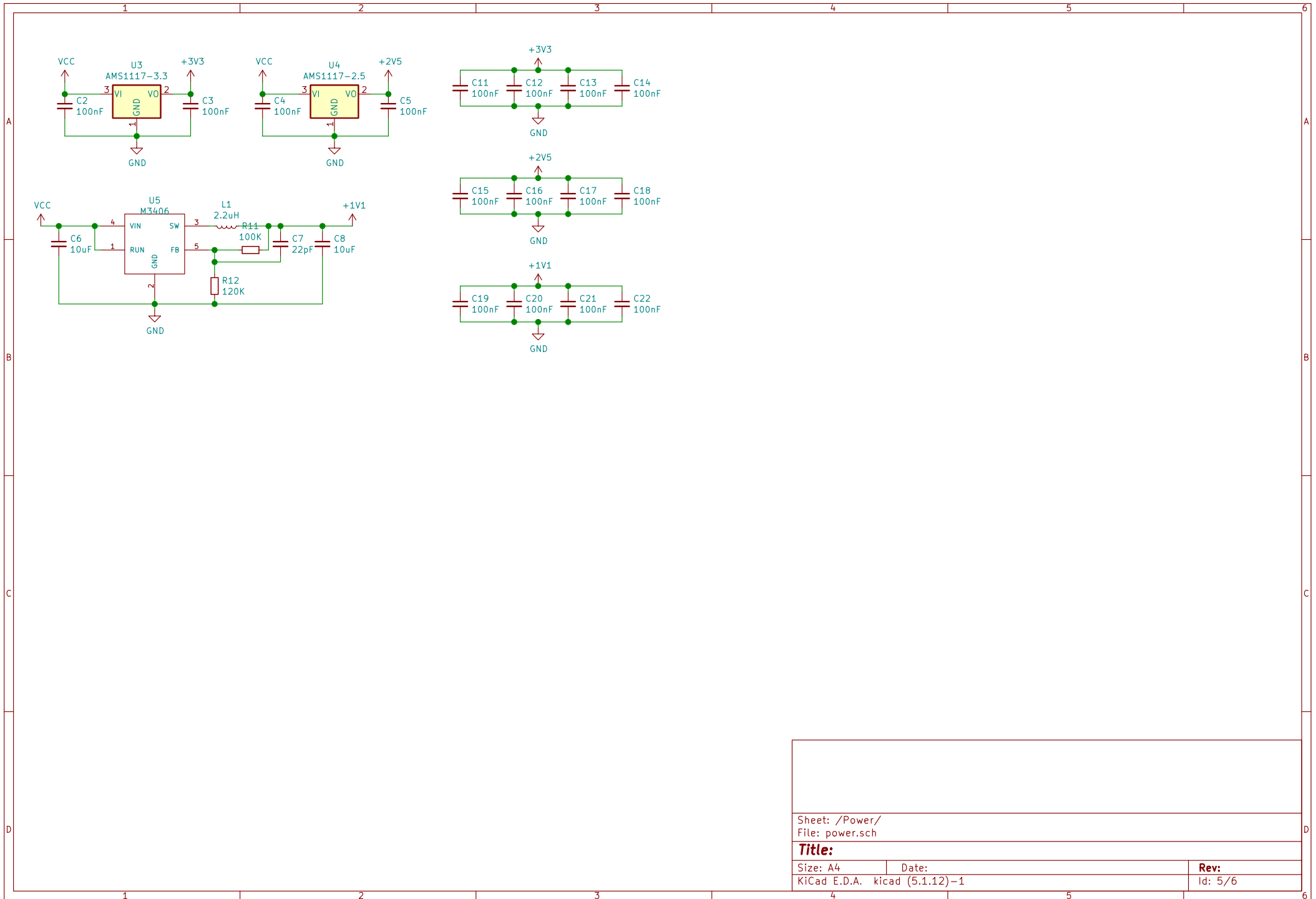


Sheet: /10/
File: IO.sch

Title:

Size: A4 Date:
KiCad E.D.A. kicad (5.1.12)-1

Rev:
Id: 4/6

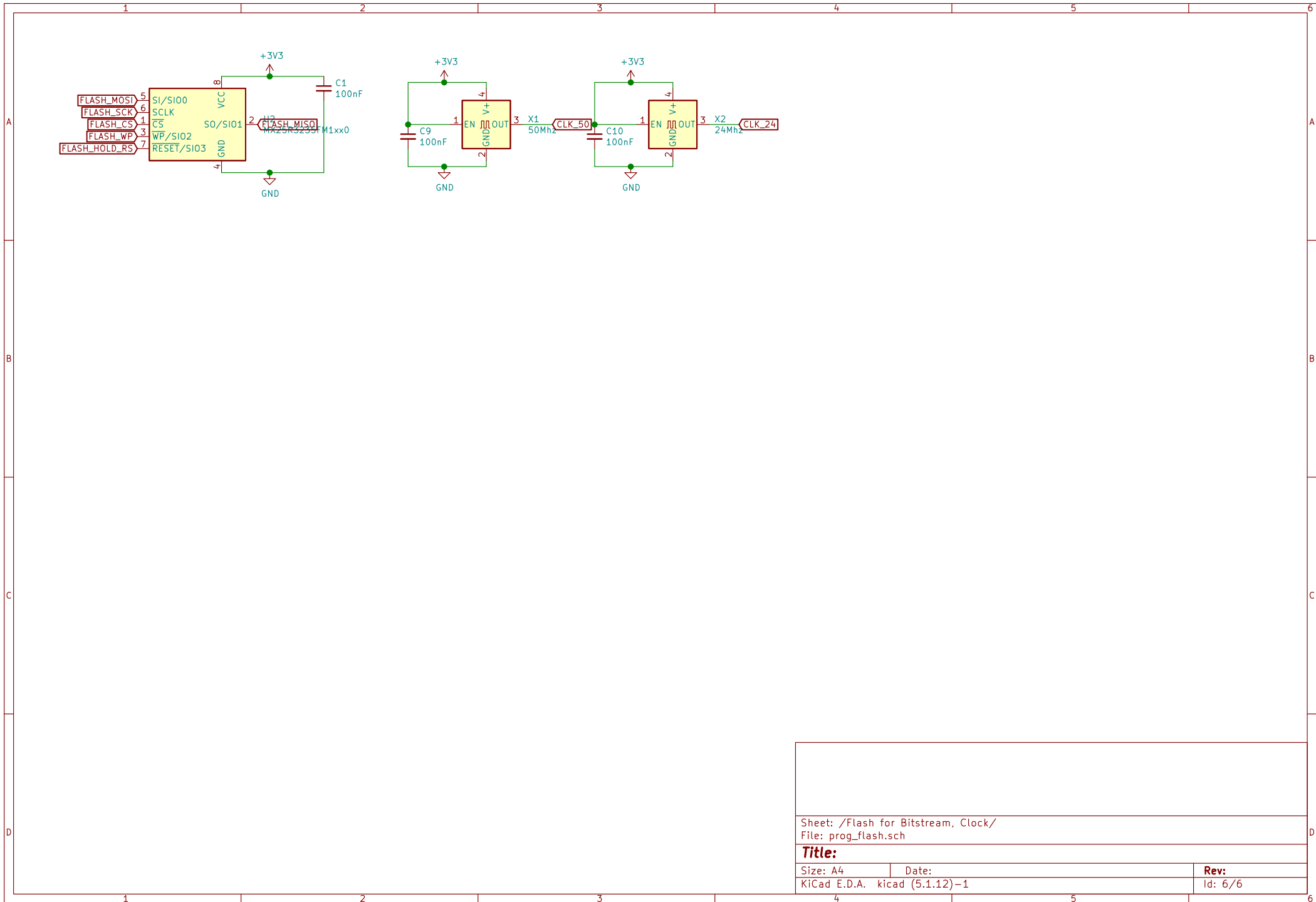


Sheet: /Power/
File: power.sch

Title:

Size: A4 Date:
KiCad E.D.A. kicad (5.1.12)-1

Rev:
Id: 5/6



Sheet: /Flash for Bitstream, Clock/
 File: prog_flash.sch

Title:

Size: A4

Date:

KiCad E.D.A. kicad (5.1.12)-1

Rev:

Id: 6/6