

Power



File: power.kicad_sch

Mosfets



File: mosfets.kicad_sch

Endstops



File: endstops.kicad_sch

Driver



File: driver.kicad_sch

Communication



File: communication.kicad_sch

Controller

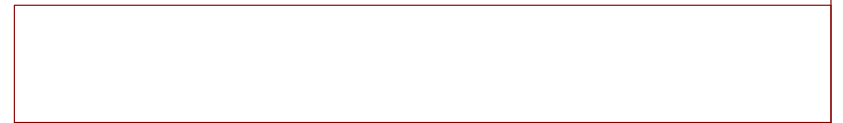


File: controller.kicad_sch

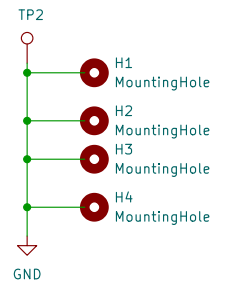
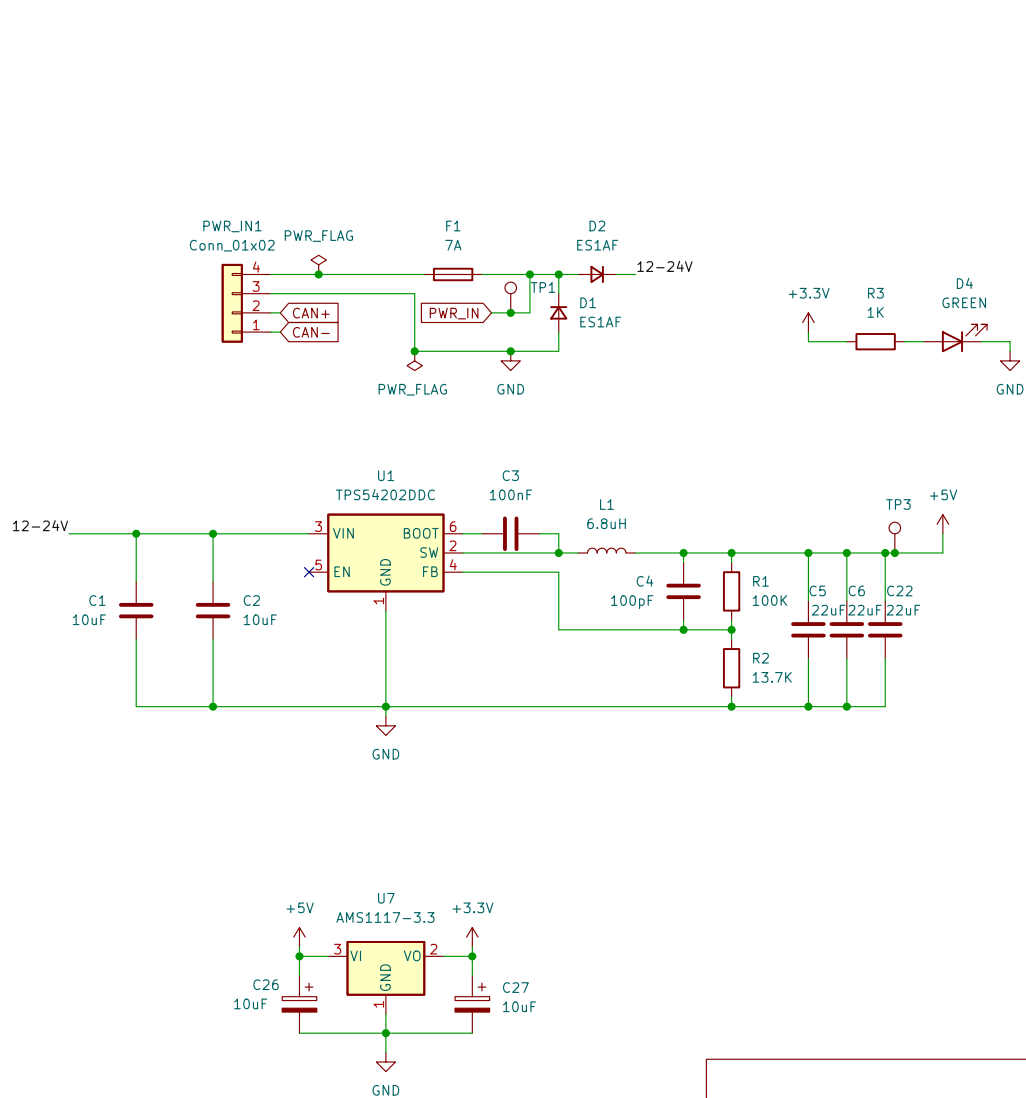
Thermistor



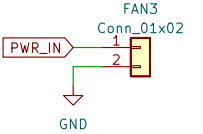
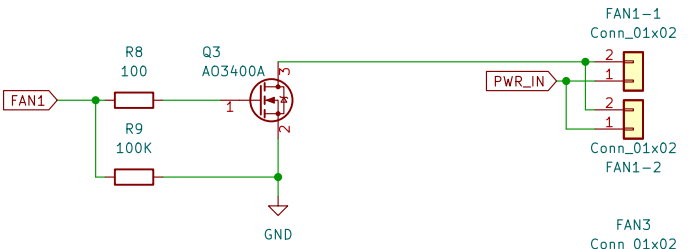
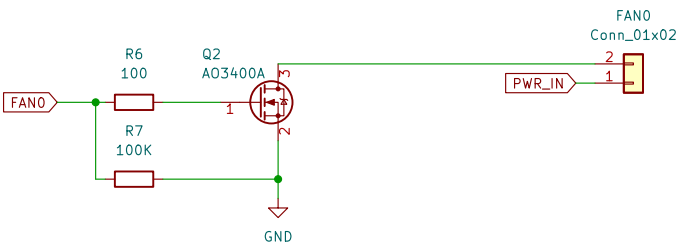
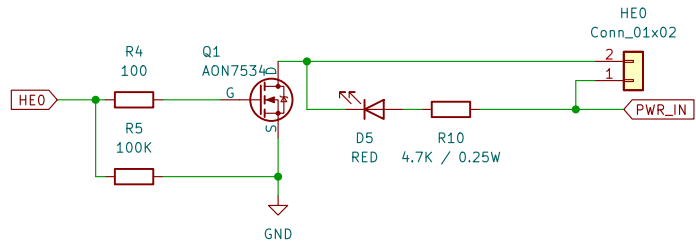
File: thermistor.kicad_sch



Sheet: /		File: canbusboard.kicad_sch	
Title: CANBOARD			
Size: A4	Date: 2022-01-13	Rev: 0.5	
KiCad E.D.A. kicad (6.0.1-0)			Id: 1/8



Sheet: /Power/	
File: power.kicad_sch	
Title: CANBOARD	
Size: A4	Date: 2022-01-13
KiCad E.D.A. kicad (6.0.1-0)	Rev: 0.5
	Id: 2/8

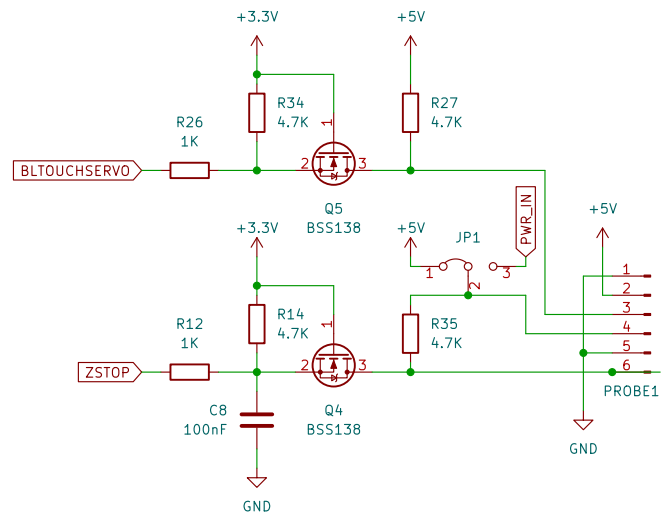
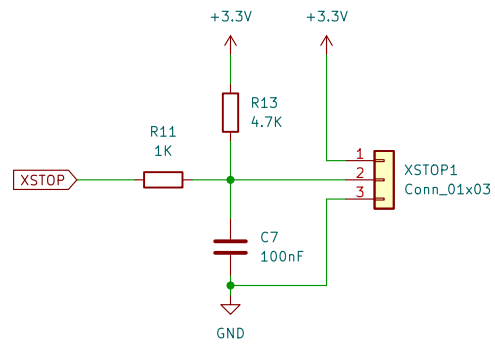


Sheet: /Mosfets/
 File: mosfets.kicad_sch

Title: CANBOARD

Size: A4 Date: 2022-01-13
 KiCad E.D.A. kicad (6.0.1-0)

Rev: 0.5
 Id: 3/8

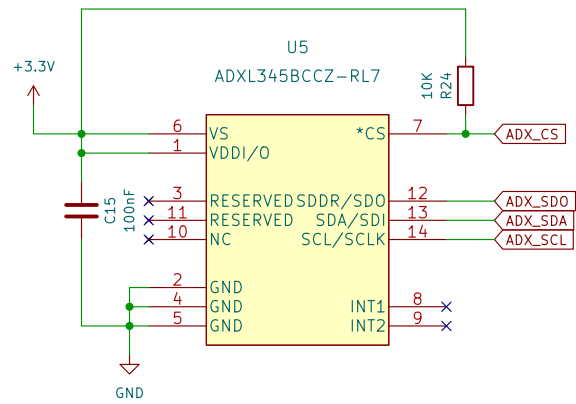
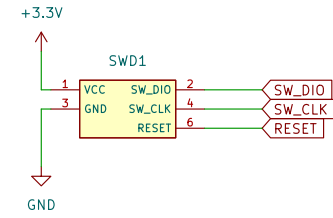
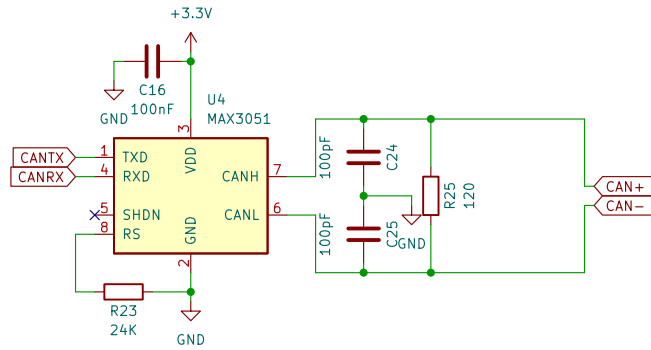


Sheet: /Endstops/
 File: endstops.kicad_sch

Title: CANBOARD

Size: A4 Date: 2022-01-13
 KiCad E.D.A. kicad (6.0.1-0)

Rev: 0.5
 Id: 4/8

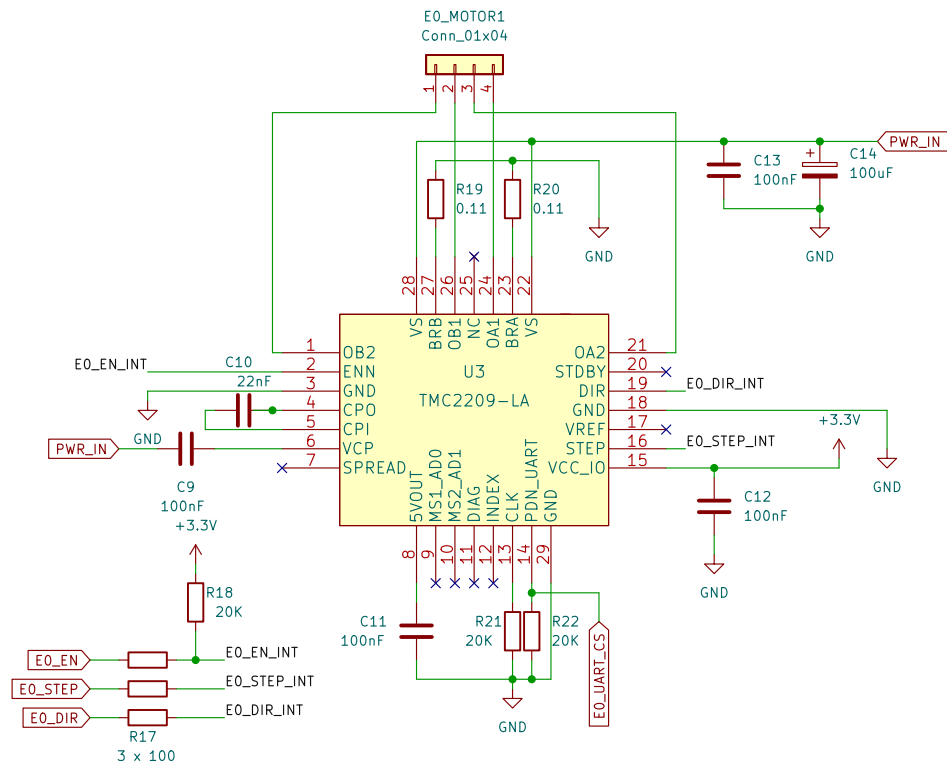


Sheet: /Communication/
File: communication.kicad_sch

Title: CANBOARD

Size: A4 Date: 2022-01-13
KiCad E.D.A. kicad (6.0.1-0)

Rev: 0.5
Id: 6/8

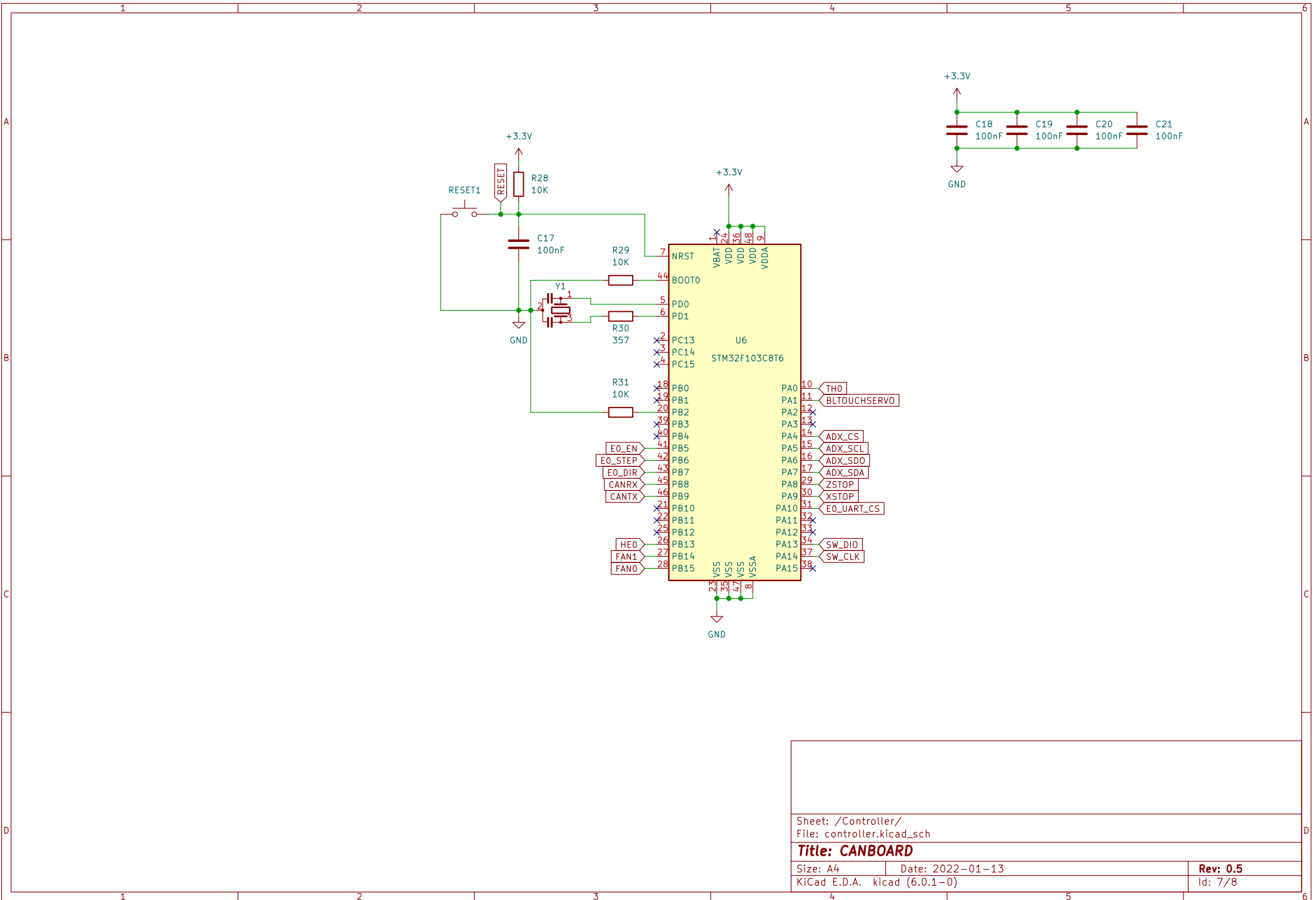


Sheet: /Driver/
 File: driver.kicad_sch

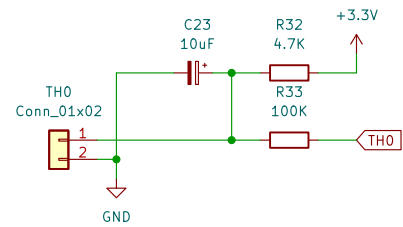
Title: CANBOARD

Size: A4 Date: 2022-01-13
 KiCad E.D.A. kicad (6.0.1-0)

Rev: 0.5
 Id: 5/8



Sheet: /Controller/		Date: 2022-01-13	
File: controller.kicad_sch		Rev: 0.5	
Title: CANBOARD		Id: 7/8	
Size: A4	KiCad E.D.A. kicad (6.0.1-0)		



Sheet: /Thermistor/
File: thermistor.kicad_sch

Title: CANBOARD

Size: A4 Date: 2022-01-13

KiCad E.D.A. kicad (6.0.1-0)

Rev: 0.5

Id: 8/8