



# Elektrotechnik Karl-Heinz Mauz GmbH

**AL-60P06** (Artikel-Nr. 155110)

**EKULIT**

## SPECIFICATIONS:

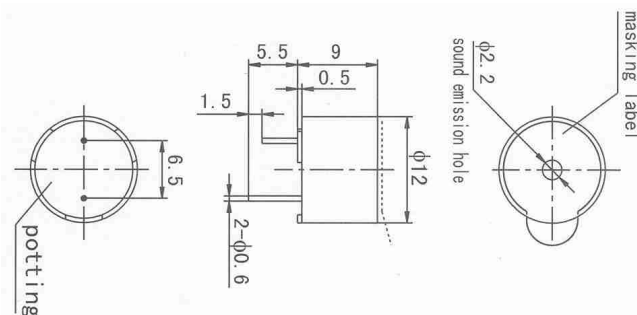
TYPE	UNIT	AL-60P06
• Min. Sound Output at 10cm	dB	85
Rated Voltage	V	6
Operating Voltage	V	3~8
Resonant Frequency	Hz	2.400
• Max. Current Consumption	mA	40
Coil Resistance	$\Omega$	45 $\pm$ 5
•• Coil Impedance	$\Omega$	80
Operating Temperature	$^{\circ}$ C	-25~+70
Storage Temperature	$^{\circ}$ C	-30~+80
Weight	g	2

• Value applying at (rated voltage, 2.400Hz, 1/2 duty square wave)

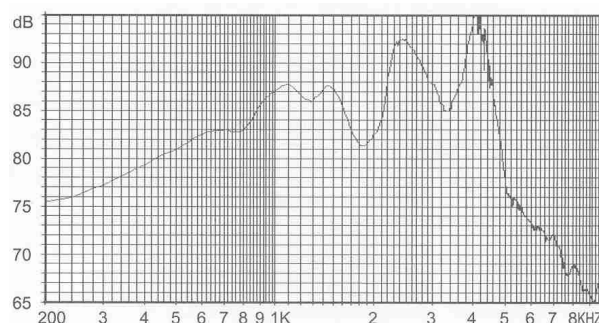
•• Value applying at (2.400Hz, sine wave, measuring current 60 $\mu$  A)

## DIMENSIONS :

(Unit: mm)



## Frequency response:



Adresse: **Felix-Wankel-Str. 35 • 73760 Ostfildern/Nellingen**

Tel: **+49-711/3414023**

Fax: **+49-711/3414024**

E-mail: **info@ekulit.de** Web site: **www.EKULIT.de**