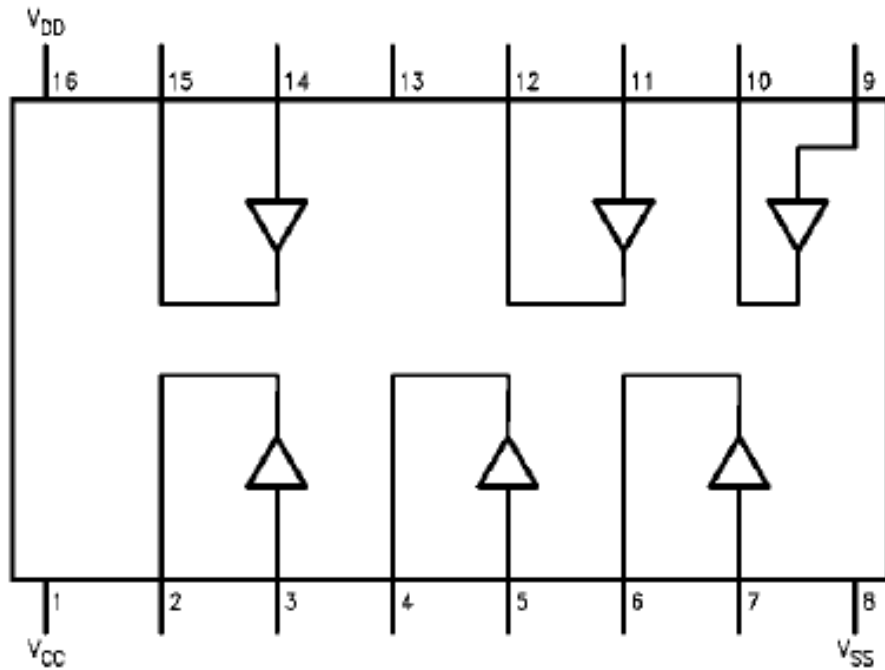
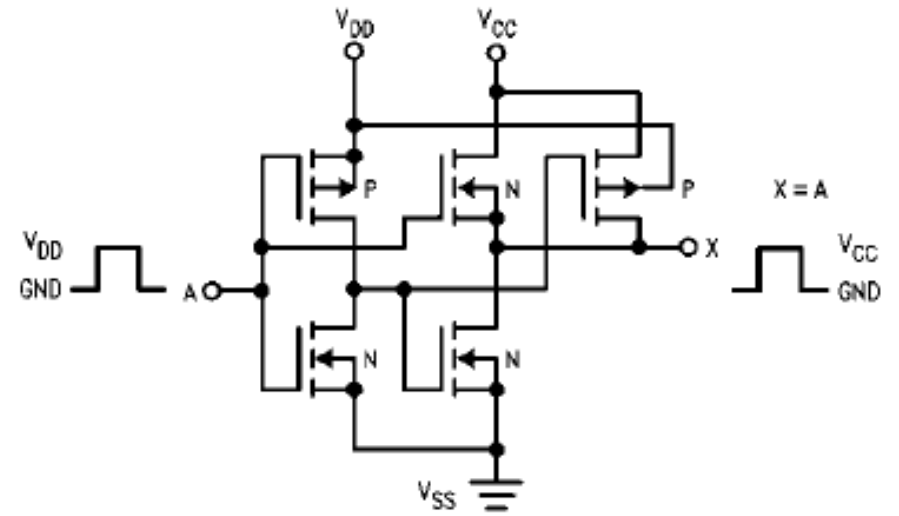


Pin Assignments for DIP and SOIC



Top View



Hex COS/MOS to DTL or TTL
converter (inverting).

Connect V_{CC} to DTL or TTL supply.

Connect V_{DD} to COS/MOS supply.