

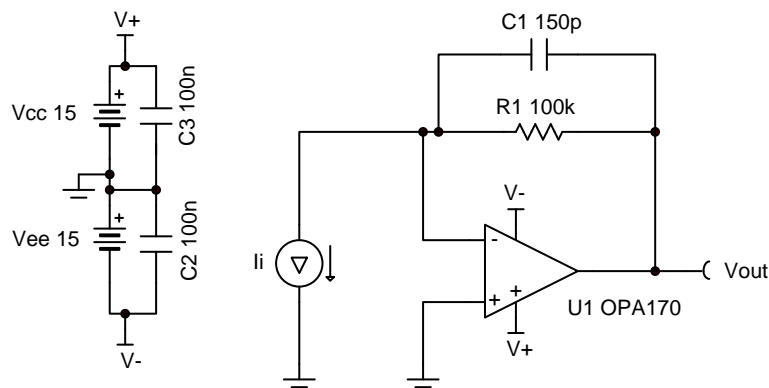
Transimpedance amplifier circuit

Design Goals

| Input | | Output | | BW | Supply | |
|-----------|------------|------------|------------|-------|----------|----------|
| I_{Min} | I_{Max} | V_{oMin} | V_{oMax} | f_p | V_{cc} | V_{ee} |
| 0A | 50 μ A | 0V | 5V | 10kHz | 15V | -15V |

Design Description

The transimpedance op amp circuit configuration converts an input current source into an output voltage. The current to voltage gain is based on the feedback resistance. The circuit is able to maintain a constant voltage bias across the input source as the input current changes which benefits many sensors.



Copyright © 2018, Texas Instruments Incorporated

Design Notes

1. Use a JFET or CMOS input op amp with low bias current to reduce DC errors.
2. A bias voltage can be added to the non-inverting input to set the output voltage for 0-A input currents.
3. Operate within the linear output voltage swing (see A_{ol} specification) to minimize non-linearity errors.

Design Steps

1. Select the gain resistor.

$$R_1 = \frac{V_{oMax} - V_{oMin}}{I_{iMax}} = \frac{5V - 0V}{50\mu A} = 100k\Omega$$

2. Select the feedback capacitor to meet the circuit bandwidth.

$$C_1 \leq \frac{1}{2 \times \pi \times R_1 \times f_p}$$

$$C_1 \leq \frac{1}{2 \times \pi \times 100k\Omega \times 10kHz} \leq 159pF \approx 150pF \text{ (Standard Value)}$$

3. Calculate the necessary op amp gain bandwidth (GBW) for the circuit to be stable.

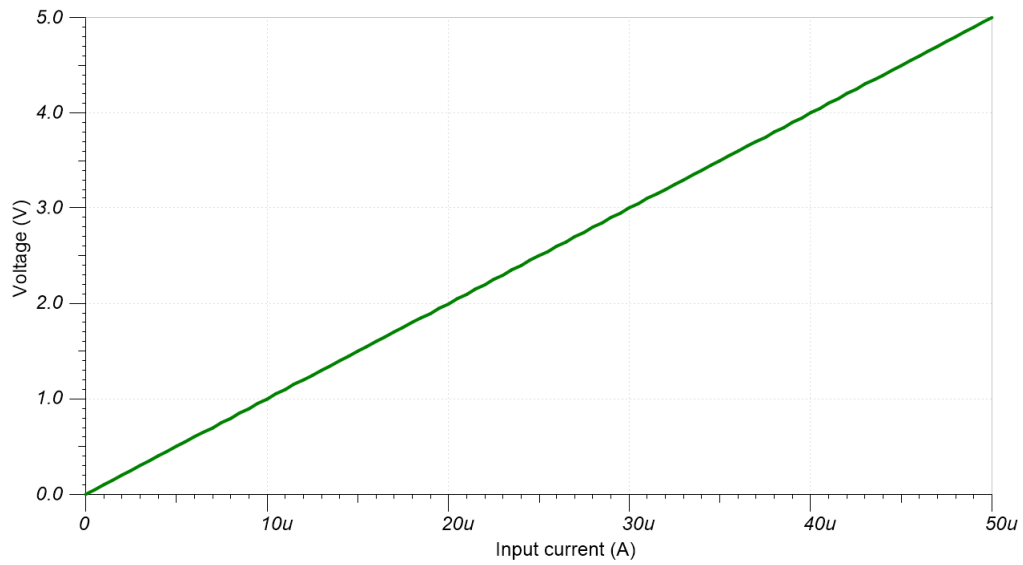
$$GBW > \frac{C_i + C_1}{2 \times \pi \times R_1 \times C_1^2} > \frac{6pF + 150pF}{2 \times \pi \times 100k\Omega \times (150pF)^2} > 11.03kHz$$

where $C_i = C_s + C_d + C_{cm} = 0pF + 3pF + 3pF = 6pF$ given

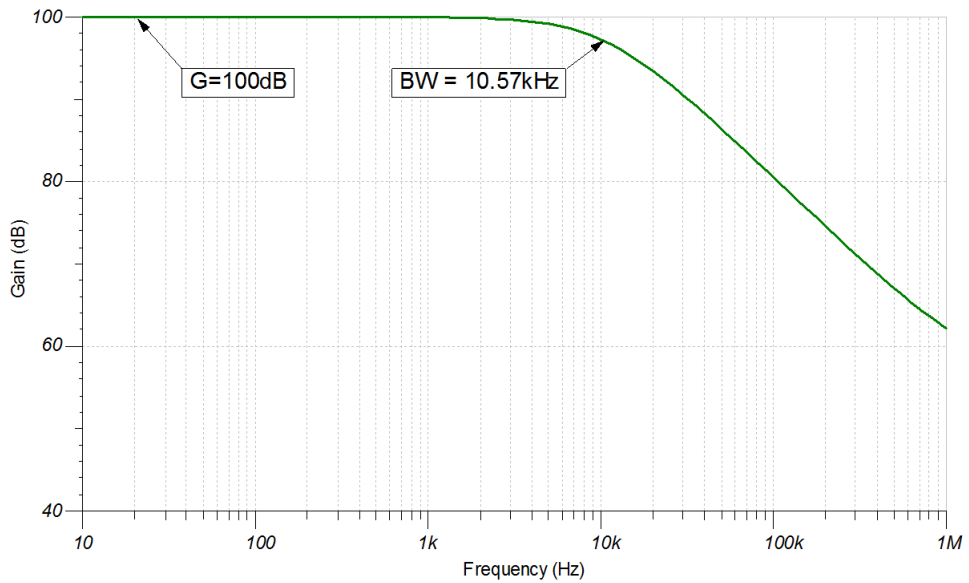
- C_s : Input source capacitance
- C_d : Differential input capacitance of the amplifier
- C_{cm} : Common-mode input capacitance of the inverting input

Design Simulations

DC Simulation Results



AC Simulation Results



Design References

See [Analog Engineer's Circuit Cookbooks](#) for TI's comprehensive circuit library.

See circuit SPICE simulation file [SBOC501](#).

See TIPD176, www.ti.com/tool/tipd176.

Design Featured Op Amp

| OPA170 | |
|--|--------------------------------------|
| V_{cc} | 2.7V to 36V |
| V_{inCM} | $(V_{ee} - 0.1V)$ to $(V_{cc} - 2V)$ |
| V_{out} | Rail-to-rail |
| V_{os} | 0.25mV |
| I_q | 0.11mA |
| I_b | 8pA |
| UGBW | 1.2MHz |
| SR | 0.4V/ μ s |
| #Channels | 1, 2, 4 |
| www.ti.com/product/opa170 | |

Design Alternate Op Amp

| OPA1671 | |
|--|---|
| V_{cc} | 1.7V to 5.5V |
| V_{inCM} | Rail-to-rail |
| V_{out} | $(V_{ee} + 10mV)$ to $(V_{cc} - 10mV)$ @ 275 μ A |
| V_{os} | 250 μ V |
| I_q | 940 μ A |
| I_b | 1pA |
| UGBW | 12MHz |
| SR | 5V/ μ s |
| #Channels | 1 |
| www.ti.com/product/opa1671 | |

Revision History

| Revision | Date | Change |
|----------|--------------|---|
| A | January 2019 | Downscale the title and changed title role to 'Amplifiers'. Updated <i>Design Alternate Op Amp</i> table with OPA1671. Added link to circuit cookbook landing page. |

IMPORTANT NOTICE AND DISCLAIMER

TI PROVIDES TECHNICAL AND RELIABILITY DATA (INCLUDING DATA SHEETS), DESIGN RESOURCES (INCLUDING REFERENCE DESIGNS), APPLICATION OR OTHER DESIGN ADVICE, WEB TOOLS, SAFETY INFORMATION, AND OTHER RESOURCES "AS IS" AND WITH ALL FAULTS, AND DISCLAIMS ALL WARRANTIES, EXPRESS AND IMPLIED, INCLUDING WITHOUT LIMITATION ANY IMPLIED WARRANTIES OF MERCHANTABILITY, FITNESS FOR A PARTICULAR PURPOSE OR NON-INFRINGEMENT OF THIRD PARTY INTELLECTUAL PROPERTY RIGHTS.

These resources are intended for skilled developers designing with TI products. You are solely responsible for (1) selecting the appropriate TI products for your application, (2) designing, validating and testing your application, and (3) ensuring your application meets applicable standards, and any other safety, security, regulatory or other requirements.

These resources are subject to change without notice. TI grants you permission to use these resources only for development of an application that uses the TI products described in the resource. Other reproduction and display of these resources is prohibited. No license is granted to any other TI intellectual property right or to any third party intellectual property right. TI disclaims responsibility for, and you will fully indemnify TI and its representatives against, any claims, damages, costs, losses, and liabilities arising out of your use of these resources.

TI's products are provided subject to [TI's Terms of Sale](#) or other applicable terms available either on ti.com or provided in conjunction with such TI products. TI's provision of these resources does not expand or otherwise alter TI's applicable warranties or warranty disclaimers for TI products.

TI objects to and rejects any additional or different terms you may have proposed.

Mailing Address: Texas Instruments, Post Office Box 655303, Dallas, Texas 75265
Copyright © 2021, Texas Instruments Incorporated