

# Rotary Encoder

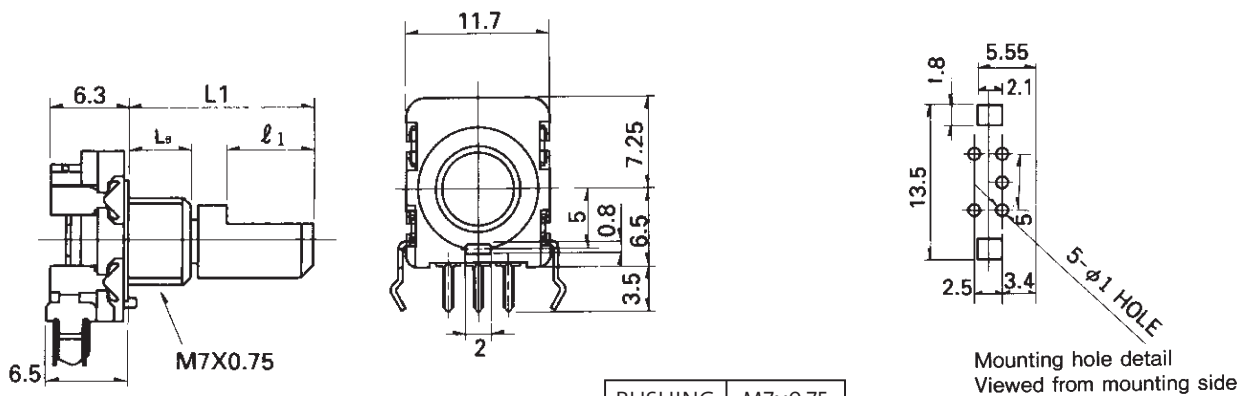


Order Number	Size (mm)	Number of Pulses	Detents	Details	Shaft length (mm)	Shaft Style	Attachment	Rest of Specification
STEC11B01	11 mm	15	30	Horizontal Type	25 mm	Slotted	Push-On Switch 0,5 mm	Standard
STEC11B02	11 mm	15	30	Horizontal Type	25 mm	Slotted	No	Standard
STEC11B03	11 mm	15	30	Vertical Type	25 mm	Slotted	Push-On Switch 0,5 mm	Standard
STEC11B04	11 mm	15	30	Vertical Type	25 mm	Slotted	No	Standard
STEC11B05	11 mm	15	30	Horizontal Type	20 mm	Flat	Push-On Switch 0,5 mm	Standard
STEC11B06	11 mm	15	30	Horizontal Type	20 mm	Flat	No	Standard
STEC11B07	11 mm	15	30	Vertical Type	20 mm	Flat	Push-On Switch 0,5 mm	Standard
STEC11B08	11 mm	15	30	Vertical Type	20 mm	Flat	No	Standard
STEC11B09	11 mm	20	20	Horizontal Type	20 mm	Flat	Push-On Switch 0,5 mm	Standard
STEC11B10	11 mm	20	20	Horizontal Type	20 mm	Flat	No	Standard
STEC11B13	11 mm	20	20	Vertical Type	20 mm	Flat	Push-On Switch 0,5 mm	Standard
STEC11B12	11 mm	20	20	Vertical Type	20 mm	Flat	No	Standard

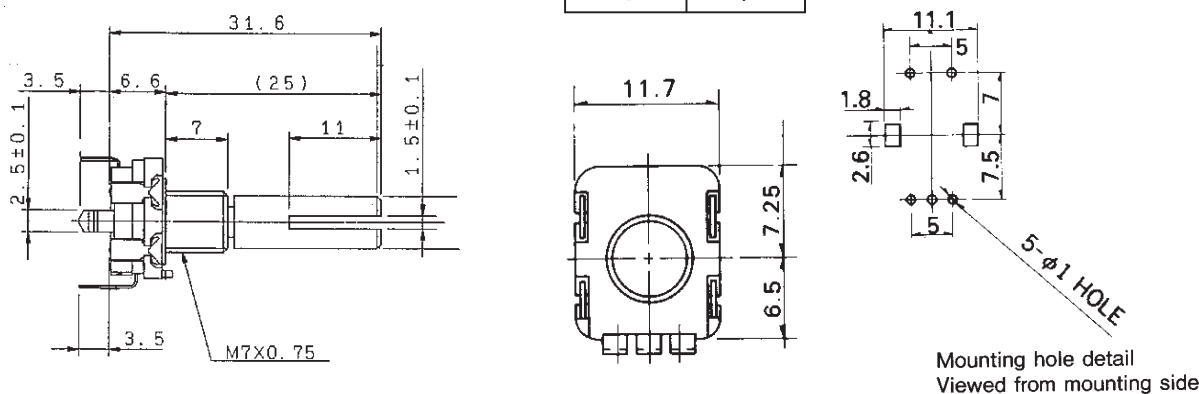
Standard Specifications:  
 Ratings: 10mA 5 VDC  
 max. Operating Current: 10mA  
 Insulation Resistance: 300V DC 10 MΩ min.  
 Withstand Voltage 300V AC  
 Life cycles 15.000 cycles

Number of Shafts: 1  
 Terminals: Printed Wiring  
 Attachment: No

## EC11B Horizontal



## EC11B Vertical



Unit: (mm)