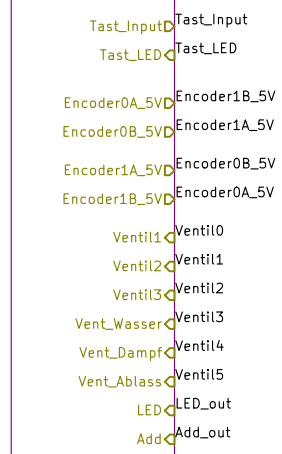
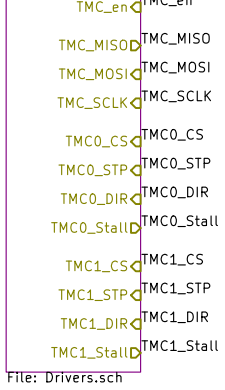


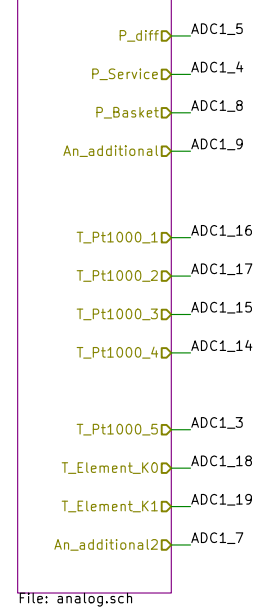
Sheet: Schalter und Taster



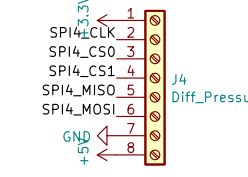
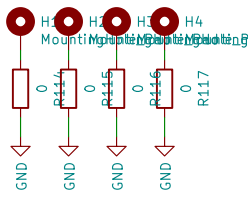
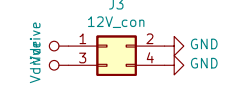
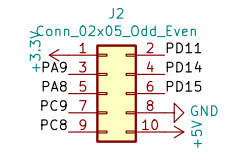
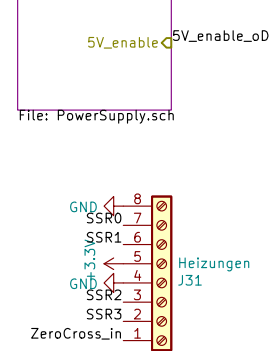
Sheet: Drivers



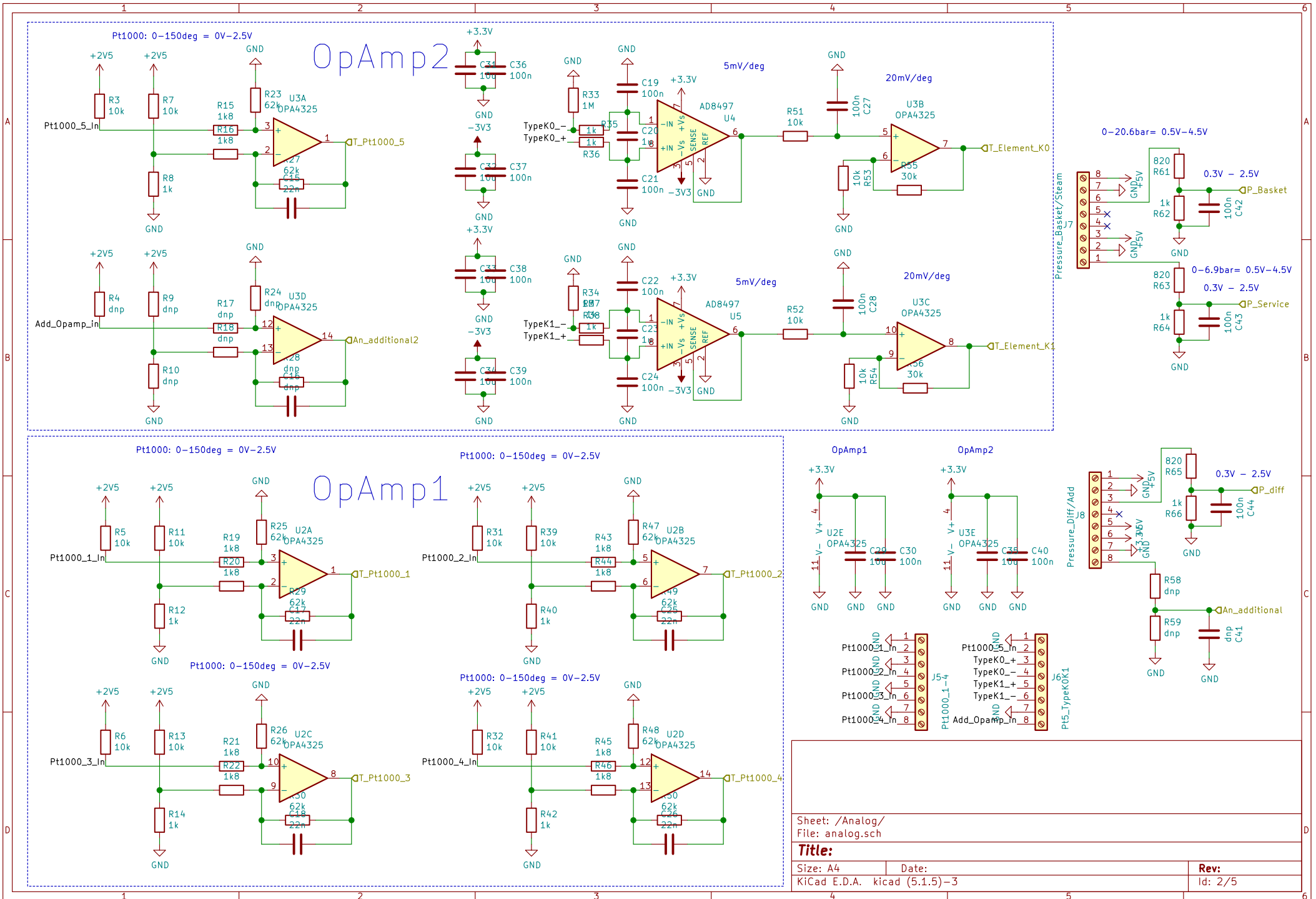
Sheet: Analog



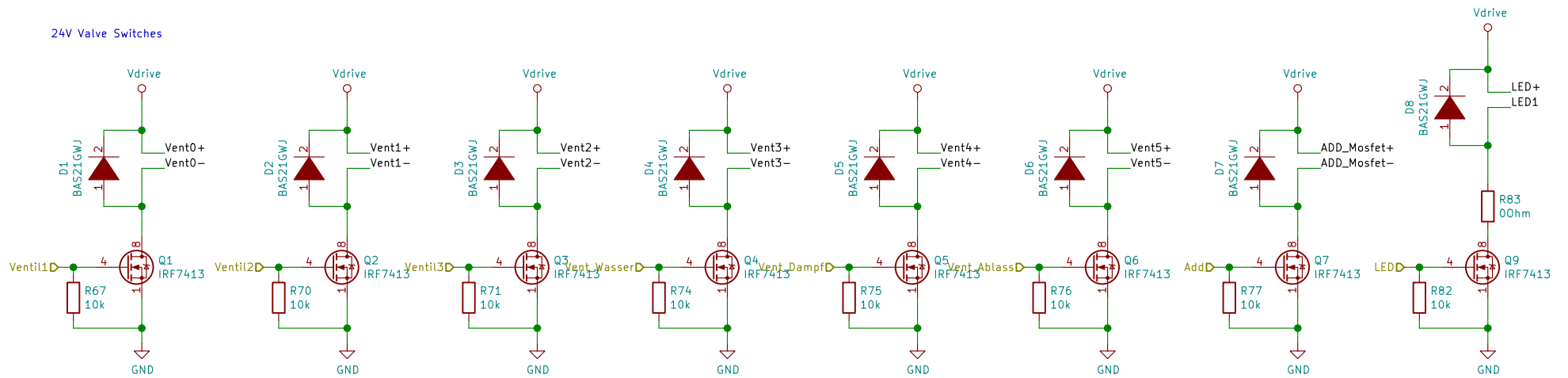
Sheet: Power Supply



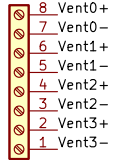
Sheet: /		Date:	
File: Elektronik.sch		Rev:	
Size: A4	KiCad E.D.A. kicad (5.1.5)-3	Id: 1/5	



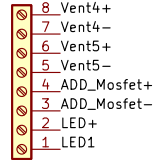
24V Valve Switches



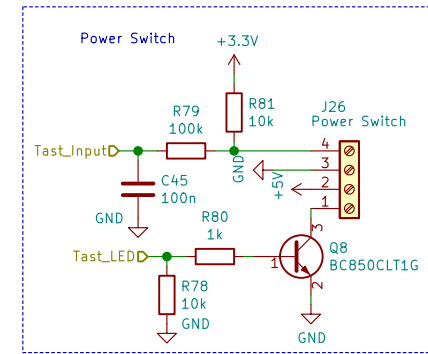
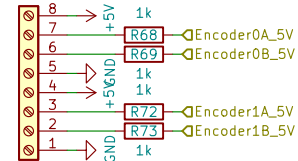
J9  
Vent0-3



J11  
Vent4-5\_LED



J10  
Encoder  
Encoder0\_1



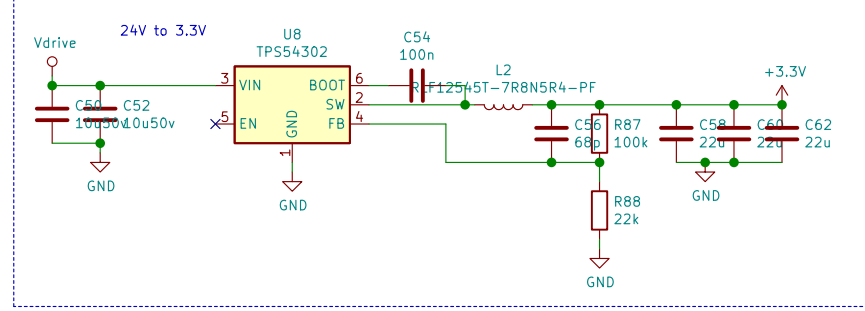
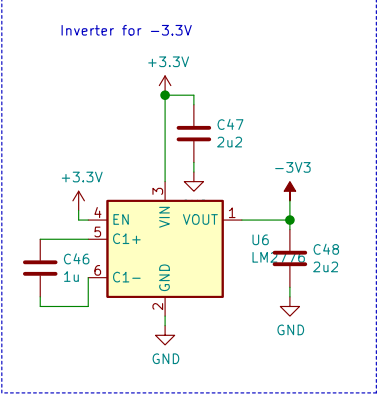
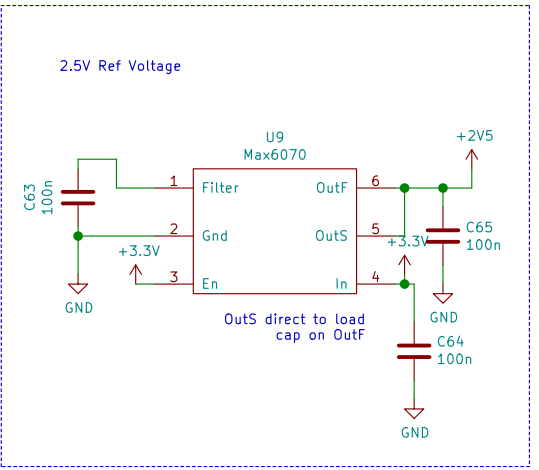
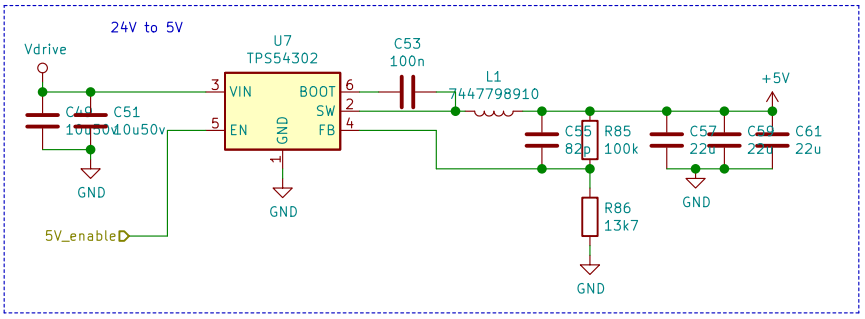
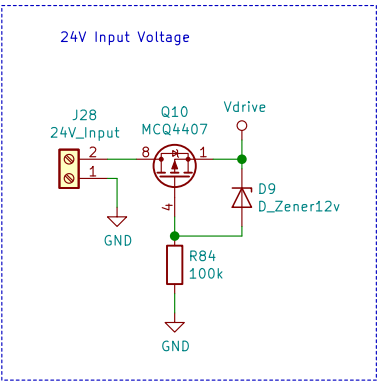
Sheet: /Schalter und Taster/  
File: Schalter.sch

**Title:**

Size: A4 Date:  
KiCad E.D.A. kicad (5.1.5)-3

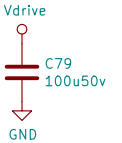
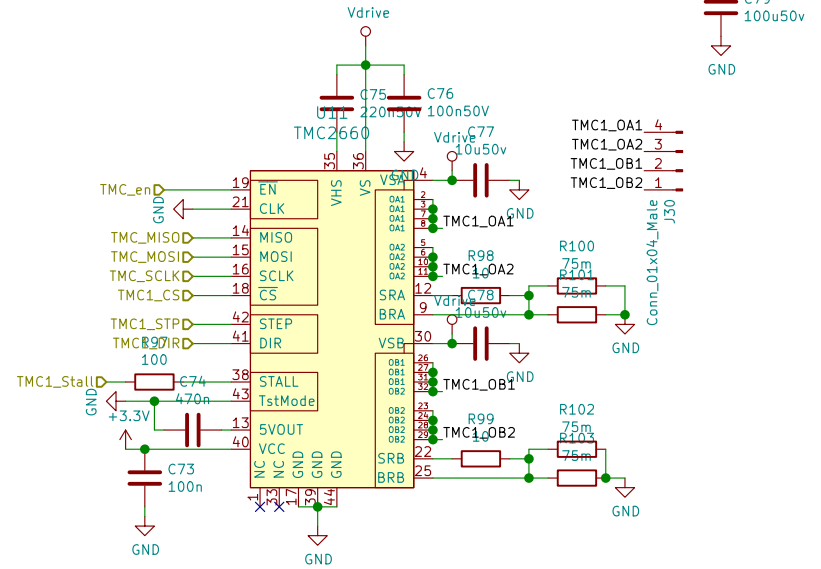
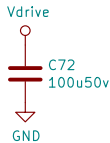
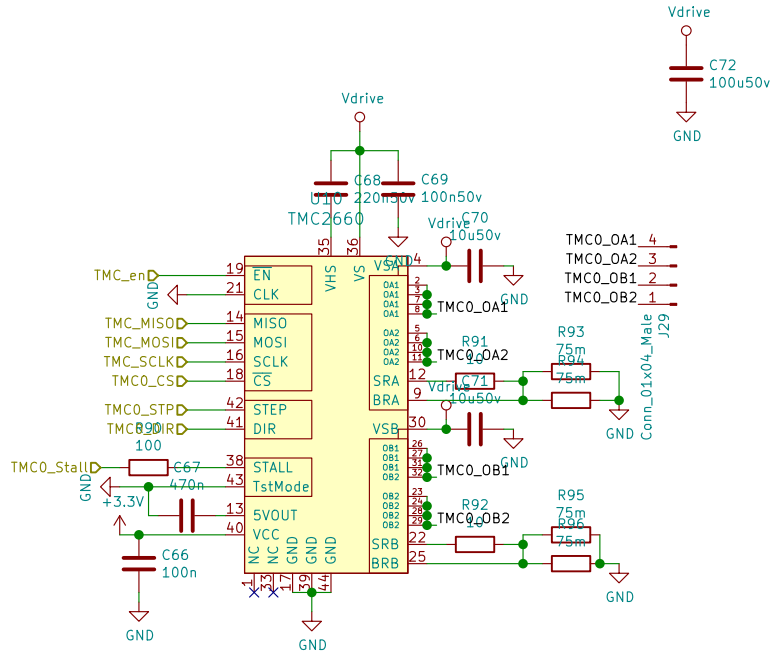
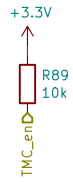
**Rev:**  
Id: 3/5

+5V  
↑



Sheet: /Power Supply/ File: PowerSupply.sch	
<b>Title:</b>	
Size: A4	Date:
KiCad E.D.A. kicad (5.1.5)-3	Rev: Id: 4/5

Motor Driver



Sheet: /Drivers/  
File: Drivers.sch

**Title:**

Size: A4 Date:  
KiCad E.D.A. kicad (5.1.5)-3

**Rev:**  
Id: 5/5