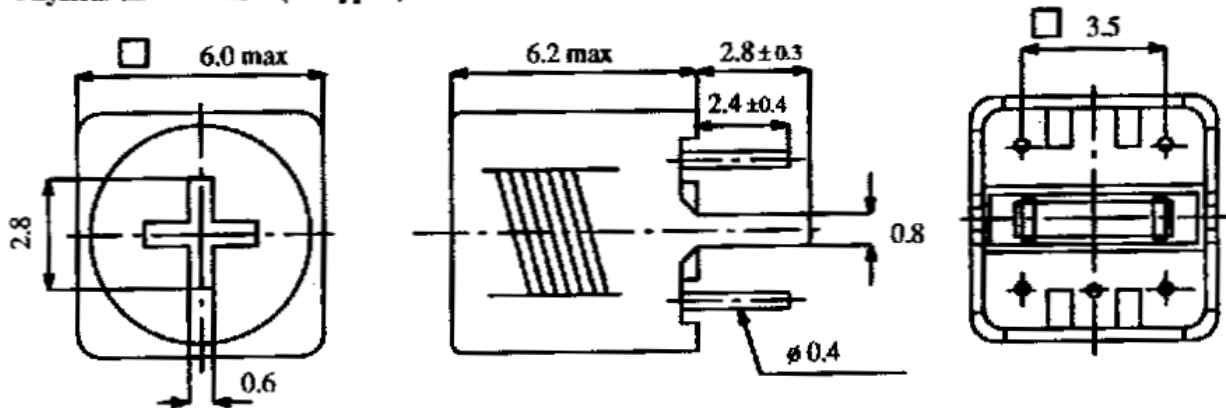


# 5mm Miniatur Filter Typ 5P

## 5mm miniature coil type 5P

**Abmessung ( alle Typen )**  
**Physical dimensions ( all types )**



**Elektrische Daten**  
**Electrical data**

**Abstimmart**  
**Tuning Method**



### FM IFT (332PN, 332FN)

Abstimmbereich	tuning range	10.7 MHz $\pm 2\%$
int. Kondensator	int. capacitor	18, 22, 27, 33, 39, 47pF
Qu	Qu	70 (ref. only)
Temp. Koeff. (Freq.)	temp. coeff. (freq.)	$0 \pm 120\text{ppm}/^\circ\text{C}$ (-10 - +60°C)

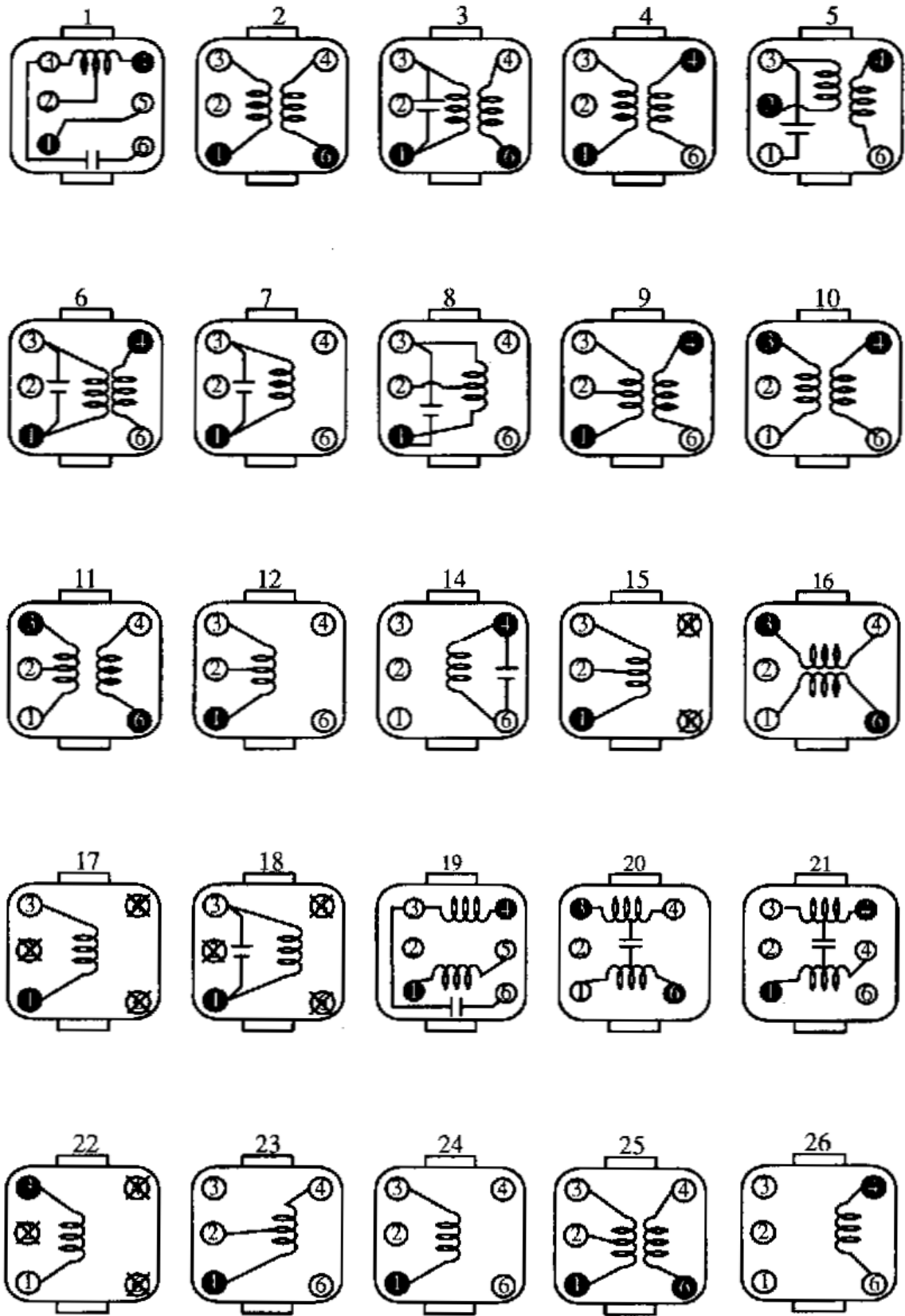
### AM IFT (5PLN)

Abstimmbereich	tuning range	455 kHz $\pm 2\%$
int. Kondensator	int. capacitor	180, 470, 1500pF
Qu	Qu	75 (ref. only)
Temp. Koeff. (Freq.)	temp. coeff. (freq.)	$0 \pm 250\text{ppm}/^\circ\text{C}$ (-10 - +60°C)

### MW OSC (5PNR)

L Einstellbereich	L adjustable range	Lo 5%
max. Induktivität	max. inductance	1000 H
Qu bei 1.4 MHz	Qu at 1.4 MHz	75 (ref. only)
Temp. Koeff. (L)	temp. coeff. (L)	$0 \pm 150\text{ppm}/^\circ\text{C}$ (-10 - +60°C)

**Anschlußbelegung (Unteransicht) / Gehäuse**  
**Connection diagram ( bottom view ) / Case**



● Start

SP	Typ Type	5M, 5S	F MHz	Q	Abstimmkapazität Tuning Capacitance		Gehäuse Case	Windungszahl Windings							
					Int. pF	Ext. pF		1-2	1-3	1-5	2-3	4-2	4-3	4-6	
5PNR-1222N		5SNR-0187N	1.4	65	-	-	9	2	88	-	-	86	-	-	13
P332PN-1265BYM		P5MAN-A171AZ	2.52	85	-	-	23	25	-	-	-	-	4.5	-	-
332PN-1510Z		5MAN-A141HM	7.96	100	-	-	24	-	22	-	-	-	-	-	-
332PN-1296Z		5MAN-0322Z	7.96	100	-	-	24	-	17	-	-	-	-	-	-
332PN-1266Z		5MAN-A141HM	7.96	56	-	-	24	-	18	-	-	-	-	-	-
332PC-1264A		5MAC-0405A	10	55	47	0	3	10	18	-	8	-	-	-	11
332PC-1223N		5SPC-0045N	10.7	70	39	3	6	1	18	-	17	-	-	-	1
332PC-1224L		5SPC-0046L	10.7	80	39	0	1	-	-	4.5	15	3.5	18.5	-	-
332PC-1225N		5SPC-0054N	10.7	70	39	2	6	9	18	-	9	-	-	-	7
332PN-1226N		5SPN-0157N	10.7	75	-	150	9	2	9	-	7	-	-	-	2
332PN-1227AG		5SPN-0225AG	10.7	75	-	100	10	-	12	-	-	-	-	-	1
332PN-1249FSK		215VFN-A388NT	10.7	70	-	100	22	-	12	-	-	-	-	-	-
332PC-1260A		5MAC-0183A	10.7	55	47	3	3	12	16	-	4	-	-	-	4
332PN-1261AN		5MAN-0184AN	10.7	75	-	50	2	-	16	-	-	-	-	-	2
332PN-1262N		5MAN-0197N	10.7	85	-	100	9	9	11	-	2	-	-	-	2
332PN-1763BS		332PC-1263BS	15	105	-	59	26	-	-	-	-	-	-	-	11
332PC-1263BS		5MAC-0208BS	15	95	47	5	14	-	-	-	-	-	-	-	31
332PN-1228R		5SXN-0297R	21.4	50	-	17	11	10	14	-	4	-	-	-	2
332PC-1229N		215XC-0300N	21.4	60	39	5	6	5	9	-	4	-	-	-	1
332PC-1244FSM		215VXC-A327PS	21.4	50	27	-4.7	20	-	-	1-6 = 9.5	3-4 = 1.5	-	-	-	-
332PC-1245FSN		215VXN-A122BSA	21.4	78	27	+3	21	-	-	1-6 = 5.5	3-4 = 5.5	-	-	-	-
332PC-1246FSM		215VXN-A380PS	21.4	50	-	12	16	-	-	1-6 = 2.5	3-4 = 13.5	-	-	-	-
332PC-1247FSM		215VXC-A381PS	21.4	50	18	3	20	-	-	1-6 = 4.5	3-4 = 8.5	-	-	-	-
332PC-1248N		215XC-A013N	21.4	78	39	0	6	5	9	-	4	-	-	-	1
332PN-1230R		5SXN-0605R	27	50	-	20	11	8	10	-	2	-	-	-	2
332PC-1231Z		5SXC-0768Z	27	50	51	3	7	-	6	-	-	-	-	-	-
332PC-1232N		5SXC-0769N	27	65	27	2	6	4	8	-	4	-	-	-	1
332PN-1233Y		5SXN-0770Y	27	55	-	31.5	12	4	8	-	4	-	-	-	-
332PC-1234Y		5SXC-0771Y	27	50	27	3	8	2	8	-	6	-	-	-	-
332PC-1235Y		5SXC-0773Y	27	50	27	3	8	2	8	-	6	-	-	-	-
332PN-1238FNM		215VXN-A330BW1	30	50	-	15.6	15	5	10	-	5	-	-	-	-
332PN-1239FNM		215VXN-A329BW1	30	45	-	24.3	15	4	8	-	4	-	-	-	-
332PN-1240FQM		215VXN-A234AGM	30	40	-	41	17	-	6	-	-	-	-	-	-
332PN-1241FQM		215VXN-A232AGM	30	55	-	34	17	-	7	-	-	-	-	-	-

SP	Typ Type	SM, SS	F MHz	Q	Abstimmkapazität Tuning Capacitance		Gehäuse Case	Windungszahl Windings							
					Int. pF	Ext. pF		1-2	1-3	1-5	2-3	4-2	4-3	4-6	
5PLG-1210N		5SVLG-0743N	450	60	470	0	6	52	110	-	-	58	-	-	10
5PLC-1243FRA		5SVLC-A455ACA	455	65	180	5	14	-	-	-	-	-	-	-	180
5PLC-2699X			455	60	150	5	6	-	194	-	-	-	-	-	39
5PLC-1211A		5SVLC-0090A	455	66	180	0	3	128	177	-	-	49	-	-	9
5PLC-1212A		5SLC-0092A	455	60	180	+35	3	89	166	-	-	77	-	-	16
5PLC-1213A		5SLC-0151A	455	66	180	5	3	95	177	-	-	82	-	-	8
5PLC-1214A		5SLC-0152A	455	66	180	5	3	116	179	-	-	63	-	-	8
5PLC-1215A		5SLC-0153A	455	68	180	5	3	141	176	-	-	35	-	-	4
5PLC-1216A		5SLC-0154A	455	66	180	5	3	124	177	-	-	53	-	-	4
5PLC-1217Z		5SVLC-0766Z	455	70	180	5	7	-	176	-	-	-	-	-	-
5PLC-1236L		5SVLC-A024YDQ	455	65	180	5	19	-	-	16.5	110	67.5	170.5	-	-
5PLN-1237N		5SLN-A025EK	445	65	-	1600	9	37	74	-	-	37	-	-	5
5PLC-1242FQM		5SVLC-A331AGM	455	70	180	10	18	-	173	-	-	-	-	-	-
5PLG-1250Z		5MMB-0369Z	455	65	1500	0	7	-	60	-	-	-	-	-	-
5PLC-1251N		5MMC-0042N	455	65	180	5	6	56	178	-	-	122	-	-	19
5PLC-1252A		5MMC-0066A	455	65	180	5	3	131	176	-	-	45	-	-	26
5PLC-1253A		5MMC-0067A	455	60	180	5	3	115	180	-	-	65	-	-	37
5PLC-1254N		5MMC-0124N	455	55	180	5	6	132	183	-	-	49	-	-	24
5PLC-1255A		5MMC-0134A	455	65	180	5	3	97	179	-	-	82	-	-	9
5PLC-1256A		5MMC-0144A	455	70	180	5	3	114	176	-	-	62	-	-	8
5PLN-1257Y		5MMN-0206Y	455	68	-	190	12	88	176	-	-	88	-	-	-
5PLN-1268A		5MMN-A129A	455	65	-	180	25	116	181	-	-	65	-	-	37
5PLN-1270A		5MMN-0290A	455	70	-	185	25	114	177	-	-	63	-	-	36
5PLC-1218N		5SLC-0047N	460	65	180	5	6	39	176	-	-	137	-	-	5
5PLN-1219X		5SLN-0051X	460	42	-	3000	4	-	42	-	-	-	-	-	1
5PLC-1220M		5SLC-0052M	460	65	180	10	5	-	-	-	-	170	-	-	6
5PLN-1221X		5SLN-0165X	460	55	-	1500	4	-	61	-	-	-	-	-	5
5PLC-1268X		5MMC-A147AO	605	65	180	3	6	-	133	-	-	-	-	-	27
5PNR-1258N		5MNR-0207AN	796	60	-	-	2	-	116	-	-	-	-	-	9
5PNR-1259X		5MNR-0209X	796	65	-	-	4	-	125	-	-	-	-	-	8