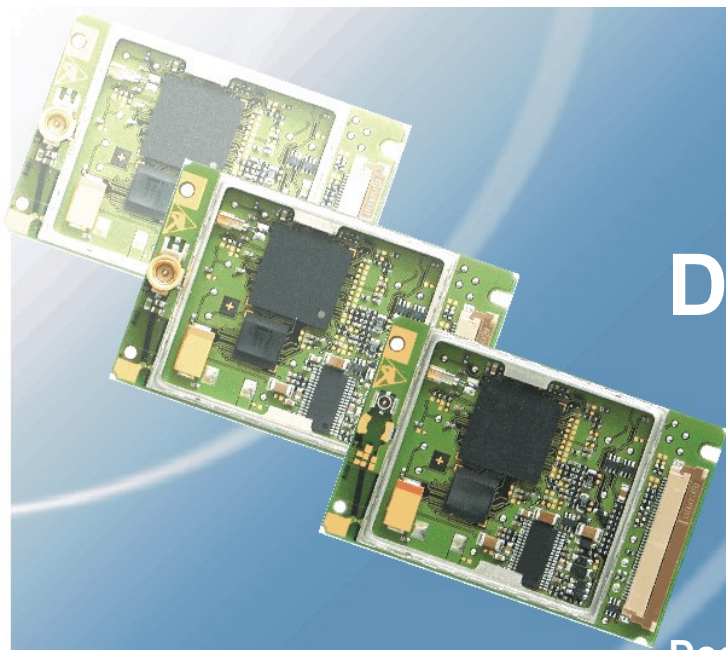


SIEMENS

TC35

TC37

Siemens Cellular Engines



Hardware Interface Description

Version: 03.10

DocID: TC35_37_HD_02_V03.10

Wireless Modules

Document Name: **TC35 / TC37 Hardware Interface Description**

Version: **03.10**
Date: **21.12.2001**

Technical Support: wm.support@mch.siemens.de

DocId: **TC35_37_HD_02_V03.10**
Status: **Released**

General notes

With respect to any damages arising in connection with the described product or this document, Siemens shall be liable according to the General Conditions on which the delivery of the described product and this document are based.

This product is not intended for use in life support appliances, devices or systems where a malfunction of the product can reasonably be expected to result in personal injury. Siemens AG customers using or selling this product for use in such applications do so at their own risk and agree to fully indemnify Siemens for any damages resulting from illegal use or resale.

Applications incorporating the described product must be designed to be in accordance with the technical specifications provided in these guidelines. Failure to comply with any of the required procedures can result in malfunctions or serious discrepancies in results.

Furthermore, all safety instructions regarding the use of mobile technical systems, including GSM products, which also apply to cellular phones must be followed.

Handheld applications such as mobile phones or PDAs incorporating the described product must be in accordance with the guidelines for human exposure to radio frequency energy. The Specific Absorption Rate (SAR) of the application must be evaluated and approved to be compliant with national and international safety standards or directives.

Subject to change without notice at any time.

Copyright notice

Copying of this document and giving it to others and the use or communication of the contents thereof, are forbidden without express authority. Offenders are liable to the payment of damages. All rights reserved in the event of grant of a patent or the registration of a utility model or design.

Copyright © Siemens AG 2001

Trademark notice

MS Windows® is a registered trademark of Microsoft Corporation.

Contents

0	Version History	7
1	Introduction	8
1.1	Scope of the document and related documents	8
1.2	Terms and abbreviations	9
1.3	Standards	12
1.4	Safety Precautions	13
2	Functions overview	15
2.1	TC35 / TC37 key features at a glance	16
2.2	Block diagram of TC35	18
2.3	Block diagram of TC37	19
2.4	GSM baseband processor	20
2.4.1	Features of the GSM baseband processor	20
3	Application Interface	21
3.1	Operating modes	22
3.2	Power supply	23
3.2.1	Minimizing power losses	24
3.2.2	Battery pack	25
3.2.2.1	Recommended battery pack	26
3.2.2.2	Supported charging technique	27
3.2.2.3	Operating modes during charging	28
3.2.2.4	Charger requirements	29
3.3	Power up / down scenarios	30
3.3.1	Turn on the GSM engine	30
3.3.1.1	Turn on GSM engine using the ignition line IGT (Power on)	30
3.3.1.2	Timing of the ignition process	31
3.3.1.3	Turn on GSM engine using the POWER lines	32
3.3.1.4	Turn on GSM engine using the RTC (Alarm mode)	32
3.3.2	Power saving	33
3.3.3	Wake up GSM engine	33
3.3.4	Turn off GSM engine	34
3.3.4.1	Turn off GSM engine using AT command	34
3.3.4.2	Emergency shutdown using /PD pin	34
3.3.4.3	Automatic shutdown	35
3.3.5	Summary of state transitions	37
3.4	RTC backup	38
3.5	Serial interface	40
3.6	Audio interface	42
3.6.1	Speech processing	43
3.7	SIM interface	44
3.7.1	Approval considerations	44
3.7.2	Design considerations for SIM card holder	45
3.7.3	Grounding the SIM interface	46
3.8	Control signals	47
3.8.1	Inputs	47
3.8.2	Outputs	48
3.8.2.1	Synchronization signal	48
3.8.2.2	Using the SYNC pin to control a status LED	49

3.8.2.3	Behaviour of the RING0 line	50
3.9	Pin assignment.....	51
4	Radio interface	56
4.1	Receiver	56
4.2	Transmitter	56
4.3	Antenna interface (antenna reference point – ARP)	57
4.3.1	Options of connecting the antenna	57
4.3.2	Description of antenna ports and connectors.....	58
5	Physical characteristics.....	59
5.1	Exploded diagram and PCBs.....	59
5.2	Mechanical dimensions of TC35 and TC37	60
5.3	Mounting TC35/TC37 onto the application platform.....	63
5.3.1	Mounting TC35	63
5.3.2	Mounting TC37	64
5.3.3	Positioning labels on TC35 and TC37	65
5.4	ZIF connector	67
5.4.1	Mechanical dimensions of the ZIF connector	68
5.5	Antenna design	69
5.5.1	GSC antenna connector on TC35.....	69
5.5.2	Using antenna equipment from other manufacturers	72
5.5.3	Antenna pad and coaxicon connector on TC37	73
6	Electrical, temperature and radio characteristics.....	74
6.1	Absolute maximum ratings	74
6.2	Operating conditions	74
6.3	Temperature conditions.....	74
6.4	Power supply ratings	75
6.4.1	Drop definition	75
6.4.2	Current consumption during transmit burst	76
6.5	Electrical characteristics of the voiceband part.....	80
6.5.1	Setting audio parameters by AT commands	80
6.5.2	Characteristics of audio modes.....	81
6.5.3	Voiceband receive path	82
6.5.4	Voiceband transmit path	83
6.6	Air interface	84
6.7	Electrostatic discharge	85
7	Updating Firmware.....	86
8	Reference Approval.....	87
8.1	Reference Equipment.....	87
8.2	CE Conformity.....	88
8.3	G.C.F. Conformity	88
9	APPENDIX: List of parts and accessories	89
9.1	Specifications of AMP switching connector	90

Figures

Figure 1: Block diagram of TC35	18
Figure 2: Block diagram of TC37	19
Figure 3: Block diagram of a cellular application	21
Figure 4: Power supply limits during transmit burst	24
Figure 5: Battery pack circuit diagram	25
Figure 6: Charging process	27
Figure 7: Power-on by ignition signal	30
Figure 8: Timing of power-on process if VDDL is not used	31
Figure 9: Timing of power-on process if VDDL is fed from external source	31
Figure 10: Deactivating GSM engine by Power Down signal	34
Figure 11: RTC supply from capacitor	38
Figure 12: RTC supply from rechargeable battery (accumulator)	38
Figure 13: RTC supply from non-chargeable battery	39
Figure 14: RS-232 interface	40
Figure 15: Audio block diagram	42
Figure 16: SIM card holder of DSB35 Support Box	45
Figure 17: Connecting a separate ground for SIM interface	46
Figure 18: TC35 output control signals	48
Figure 19: LED Circuit (Example)	49
Figure 20: Incoming voice call	50
Figure 21: Incoming data call	50
Figure 22: Antenna connector circuit on TC35	57
Figure 23: Antenna connector circuit on TC37	57
Figure 24: Exploded diagram and PCBs of TC35/TC37	59
Figure 25: TC35 / TC37 – view of RF part	60
Figure 26: Mechanical dimensions of TC35	61
Figure 27: Mechanical dimensions of TC37	62
Figure 28: Mounting TC35 (example)	63
Figure 29: Mounting TC37 (example)	64
Figure 30: Positioning labels	65
Figure 31: Label dimensions	65
Figure 32: Content of TC35 label	66
Figure 33: Mechanical dimensions of ZIF connector	68
Figure 34: PCB ZIF connector	68
Figure 35: Mechanical dimensions of MuRata GSC connector (in mm)	70
Figure 36: Maximum mechanical stress to the connector	71
Figure 37: How to use MuRata tool	71
Figure 38: Dimensions and position of coaxicon connector and antenna pad on TC37	73
Figure 39: Typical current (peak) vs power control level	76
Figure 40: Typical current (average) vs power control level	76
Figure 41: Typical current consumption for GSM 900, power level = 5	78
Figure 42: Typical current consumption for DCS1800, power level = 0	78
Figure 43: AT audio programming model	80
Figure 44: Structure of audio inputs	83
Figure 45: Reference equipment for approval	87

Tables

Table 1: TC35 / TC37 key features.....	16
Table 2: Overview of operating modes	22
Table 3: Power supply pins of ZIF connector	23
Table 4: Specifications of CGP34506 Panasonic battery pack	26
Table 5: AT commands available in Charge-only mode	29
Table 6: AT commands available in Alarm mode	32
Table 7: Wake-up events.....	33
Table 8: Temperature dependent behaviour	35
Table 9: Dependency on ambient temperature	36
Table 10: State transitions of TC35 / TC37	37
Table 11: DCE-DTE wiring	40
Table 12: Signal of the SIM interface (ZIF connector).....	44
Table 13 : Pin assignment of Molex SIM card holder on DSB35 Support Box	45
Table 14: Input control signals of the TC35/TC37 module	47
Table 15: TC35 synchronization signal (if SYNC pin is set to mode 0 via AT^SSYNC).....	48
Table 16: Modes of the LED and associated functions	49
Table 17: Ring signal.....	50
Table 18: Pin assignment	51
Table 19: Return loss	57
Table 20: Signals available on GSC jack	58
Table 21: Signals available on antenna pad / coaxicon connector	58
Table 22: Electrical and mechanical characteristics of the ZIF connector	67
Table 23: Ratings and characteristics of the GSC antenna connector	69
Table 24: Stress characteristics of the GSC antenna connector	71
Table 25: Ordering information for antenna equipment from AMP Tyco Electronics	73
Table 26: Absolute maximum ratings.....	74
Table 27: Operating conditions.....	74
Table 28: Temperature conditions	74
Table 29: Power supply ratings.....	75
Table 30: Power control levels GSM 900, power class 4	77
Table 31: Power control levels DCS 1800, power class 1	77
Table 32: GSM 900, power level 5.....	79
Table 33: GSM 1800, power level 0.....	79
Table 34: Audio parameters adjustable by AT command.....	80
Table 35: Voiceband characteristics (typical), all values preliminary	81
Table 36: Voiceband receive path	82
Table 37: Voiceband transmit path	83
Table 38: Air Interface	84
Table 39: Measured electrostatic values.....	85
Table 40: List of accessories	89

0 Version History

This chapter reports modifications and improvements over previous versions of the document.

Preceding document: "TC35 Hardware Interface Description" Version **V0300**

New document: "TC35_TC37 Hardware Interface Description" Version **03.10**

Chapter	Page	What is new
2.1	16	Data transmission rate 14.4kbps now implemented
3.2.2		Chapter revised, technical specification of recommended battery pack added
3.3.1.1 / 3.3.1.2	30 31	Timing of ignition line described in greater detail
3.3.2	33	Brief description of powersave mode
3.3.4.3	35f	Automatic undervoltage shutdown: notes added
3.3.5	37	Summary of state transitions: transition from Charge-only mode to Alarm mode
3.5	40	Serial interface described in greater detail
3.7	44	SIM interface described in greater detail. Recommendations for SIM card holder and SIM interface grounding added
3.8.1	47	Table revised
3.8.2.3	50	Behaviour of /RING0 line described in more detail
3.9	51	RS-232: If unused keep output pins open and connect input pins to VDD via 10kΩ.
6.4	75	Table 29: Power supply ratings: minimum value of I_{charge} removed
6.4.2	76	Chapter revised. Figure 39 to Figure 42 and Table 30 to Table 33 moved into one chapter. No values modified over preceding document version.
6.5.1	80	Note added: inCalibrate, outCalibrate and sideTone internally truncated to 32767.
6.5.2	81	Table 35 revised
7	86	Overview on firmware update added
9	89	List of parts and accessories enhanced

1 Introduction

This document presents the hardware interface description of the Siemens GSM engines

- **TC35**
- **TC37**

As TC35 and TC37 are intended to integrate with a wide range of cellular application platforms, all functional components are described in detail. So this guide covers all information you need to design and set up host devices incorporating TC35 or TC37. It helps you quickly retrieve interface specifications, electrical and mechanical details and, last but not least, information on the requirements to be considered for integrating further components.

TC35 and TC37 are full-featured GSM engines which are identical in terms of functionality, physical dimensions and performance characteristics including minimum or maximum ratings. They differ only in the design and location of antenna connectors. TC35 features a coaxial GSC connector, while TC37 provides a coaxial switching connector plus an antenna pad. Each connector type is described in a separate section.

1.1 Scope of the document and related documents

Please note that this hardware interface description is intended for the following TC35 and TC37 release:

- Hardware: PCB number Q8100-B1-7
- Software: Version **03.10**

Related documents

- /1/ AT Command Set for TC35, TC37 and TC35 Terminal, Version **03.10**
- /2/ Release Notes: TC35 Version **03.10**
- /3/ Application Note 16: Updating TC35 Firmware, Version **03.10**
- /4/ DSB35 Support Box - Evaluation Kit for Siemens Cellular Engines
- /5/ TC3x Multiplexer User's Guide, Version **03.10**
- /6/ Application Note 02: Audio Interface, Version **03.10**

Prior to using the GSM engines or upgrading to a new firmware release, be sure to carefully read and understand the latest product information provided in the Release Notes.

To visit the Siemens Website you can use the following link:

<http://siemens.com/wm>

1.2 Terms and abbreviations

Abbreviation	Description
ADC	Analog-to-Digital Converter
AFC	Automatic Frequency Control
AGC	Automatic Gain Control
ARFCN	Absolute Radio Frequency Channel Number
ARP	Antenna Reference Point
ASIC	Application Specific Integrated Circuit
BER	Bit Error Rate
BTS	Base Transceiver Station
CB or CBM	Cell Broadcast Message
CS	Coding Scheme
CSD	Circuit Switched Data
CPU	Central Processing Unit
CE	Conformité Européene (European Conformity)
DAC	Digital-to-Analog Converter
dBm0	Digital level, 3.14dBm0 corresponds to full scale, see ITU G.711, A-law
DCE	Data Communication Equipment (typically modems, e.g. Siemens GSM engine)
DCS 1800	Digital Cellular System, also referred to as PCN
DSB	Development Support Box
DSP	Digital Signal Processor
DSR	Data Set Ready
DTE	Data Terminal Equipment (typically computer, terminal, printer or, for example, GSM application)
DTR	Data Terminal Ready
DTX	Discontinuous Transmission
EFR	Enhanced Full Rate
EGSM	Enhanced GSM
EMC	Electromagnetic Compatibility
ESD	Electrostatic Discharge
ETS	European Telecommunication Standard
FDMA	Frequency Division Multiple Access
FFC	Flat Flexible Cable
FR	Full Rate
GMSK	Gaussian Minimum Shift Keying
GPRS	General Packet Radio Service
GSM	Global Standard for Mobile Communications

Abbreviation	Description
HiZ	High Impedance
HR	Half Rate
IC	Integrated Circuit
IMEI	International Mobile Equipment Identity
I/O	Input/Output
ISO	International Standards Organization
ITU	International Telecommunications Union
kbits	kbits per second
LED	Light Emitting Diode
Li-Ion	Lithium-Ion
Mbps	Mbits per second
MMI	Man Machine Interface
MO	Mobile Originated
MS	Mobile Station (GSM engine), also referred to as TE
MSISDN	Mobile Station International ISDN number
MT	Mobile Terminated
NTC	Negative Temperature Coefficient
PCB	Printed Circuit Board
PCL	Power Control Level
PCN	Personal Communications Network, also referred to as DCS 1800
PCS	Personal Communication System
PDU	Protocol Data Unit
PLL	Phase Locked Loop
PPP	Point-to-point protocol
PSU	Power Supply Unit
R&TTE	Radio and Telecommunication Terminal Equipment
RAM	Random Access Memory
RF	Radio Frequency
ROM	Read-only Memory
RMS	Root Mean Square (value)
RTC	Real Time Clock
Rx	Receive Direction
SAR	Specific Absorption Rate
SELV	Safety Extra Low Voltage
SIM	Subscriber Identification Module
SMS	Short Message Service
SRAM	Static Random Access Memory

Abbreviation	Description
TA	Terminal adapter (e.g. GSM engine)
TDMA	Time Division Multiple Access
TE	Terminal Equipment, also referred to as DTE
Tx	Transmit Direction
UART	Universal asynchronous receiver-transmitter
URC	Unsolicited Result Code
USSD	Unstructured Supplementary Service Data
VSWR	Voltage Standing Wave Ratio
ZIF	Zero Insertion Force
<i>Phonebook abbreviations</i>	
FD	SIM fixdialling phonebook
LD	SIM last dialling phonebook (list of numbers most recently dialled)
MC	Mobile Equipment list of unanswered MT calls (missed calls)
ME	Mobile Equipment phonebook
ON	Own numbers (MSISDNs) stored on SIM or ME
RC	Mobile Equipment list of received calls
SM	SIM phonebook

1.3 Standards

The Siemens GSM engines described in this document have been approved to comply with the following directives and standards.

Directives

99/05/EC	Directive of the European Parliament and of the council of 9 March 1999 on radio equipment and telecommunications terminal equipment and the mutual recognition of their conformity
89/336/EC	Directive on electromagnetic compatibility
73/23/EC	Directive on electrical equipment designed for use within certain voltage limits (Low Voltage Directive)

Standards of type approval

ETS 300 607-1	Digital cellular telecommunications system (Phase 2); Mobile Station (MS) conformance specification; (equal GSM 11.10-1=>equal 3GPP51.010-1)
EN 301 419-1	v.4.1.1 (4-2000) Global System for Mobile communications (GSM); Harmonized standard for mobile stations in the GSM 900 and 1800 Bands covering essential requirements under article 3.2 of the R&TTE Directive (1999/5EC) (GSM 13.11)
ETS 300 342-1	Radio Equipment and Systems(RES); Electro Magnetic Compatibility (EMC) for European digital cellular telecommunications system (GSM 900 MHz and DCS 1800 MHz) Part 1: Mobile and portable radio and ancillary equipment (for equipment for fixed and vehicular use)
EN 60 950	Safety of information technology equipment
ES 59005/ANSI C95.1	Considerations for evaluation of human exposure to Electromagnetic Fields (EMFs) from Mobile Telecommunication Equipment (MTE) in the frequency range 30MHz-6GHz (relevant for applications)

Requirements of quality

IEC 60068	Environmental testing
DIN EN 60529	IP - codes

1.4 Safety Precautions

The following safety precautions must be observed during all phases of the operation, usage, service or repair of any cellular terminal or mobile incorporating TC35 or TC37. Manufacturers of the cellular terminal are advised to convey the following safety information to users and operating personnel and to incorporate these guidelines into all manuals supplied with the product. Failure to comply with these precautions violates safety standards of design, manufacture and intended use of the product. Siemens AG assumes no liability for customer failure to comply with these precautions.



When in a hospital or other health care facility, observe the restrictions on the use of mobiles. Switch the cellular terminal or mobile off, if instructed to do so by the guidelines posted in sensitive areas. Medical equipment may be sensitive to RF energy.

The operation of cardiac pacemakers, other implanted medical equipment and hearing aids can be affected by interference from cellular terminals or mobiles placed close to the device. If in doubt about potential danger, contact the physician or the manufacturer of the device to verify that the equipment is properly shielded. Pacemaker patients are advised to keep their hand-held mobile away from the pacemaker, while it is on.



Switch off the cellular terminal or mobile before boarding an aircraft. Make sure it cannot be switched on inadvertently. The operation of wireless appliances in an aircraft is forbidden to prevent interference with communications systems. Failure to observe these instructions may lead to the suspension or denial of cellular services to the offender, legal action, or both.



Do not operate the cellular terminal or mobile in the presence of flammable gases or fumes. Switch off the cellular terminal when you are near petrol stations, fuel depots, chemical plants or where blasting operations are in progress. Operation of any electrical equipment in potentially explosive atmospheres can constitute a safety hazard.



Your cellular terminal or mobile receives and transmits radio frequency energy while switched on. Remember that interference can occur if it is used close to TV sets, radios, computers or inadequately shielded equipment. Follow any special regulations and always switch off the cellular terminal or mobile wherever forbidden, or when you suspect that it may cause interference or danger.



Road safety comes first! Do not use a hand-held cellular terminal or mobile when driving a vehicle, unless it is securely mounted in a holder for handsfree operation. Before making a call with a hand-held terminal or mobile, park the vehicle.

Handsfree devices must be installed by qualified personnel. Faulty installation or operation can constitute a safety hazard.

**IMPORTANT!**

Cellular terminals or mobiles operate using radio signals and cellular networks cannot be guaranteed to connect in all conditions. Therefore, you should never rely solely upon any wireless device for essential communications, for example emergency calls.

Remember, in order to make or receive calls, the cellular terminal or mobile must be switched on and in a service area with adequate cellular signal strength.

Some networks do not allow for emergency calls if certain network services or phone features are in use (e.g. lock functions, fixed dialling etc.). You may need to deactivate those features before you can make an emergency call.

Some networks require that a valid SIM card be properly inserted in the cellular terminal or mobile.

2 Functions overview

TC35 and TC37 GSM engines operate in the GSM 900 MHz and GSM 1800 MHz frequency bands. Designed to easily provide radio connection for voice and data transmission both modules integrate seamlessly with a wide range of GSM application platforms and are ideally suited to design and set up innovative cellular solutions with minimum effort.

The complete RF part is incorporated and the GSM protocol runs autonomously on a GSM baseband processor. The GSM engine uses a single 40-pin ZIF connector that connects to the cellular device application. The ZIF connector establishes the application interface for control data, audio signals and power supply lines.

The cellular device application forms the Man-Machine Interface (MMI). Access to the GSM engine is enabled by a serial interface (RS232).

2.1 TC35 / TC37 key features at a glance

Table 1: TC35 / TC37 key features

Feature	Implementation
Transmission	Voice, Data, SMS, Fax
Power supply	Single supply voltage 3.3V – 5.5V Please refer to Chapter 6.4 for more detailed information
Frequency bands	Dual Band EGSM 900 and GSM 1800 (GSM Phase 2+)
GSM class	Small MS
Transmit power	Class 4 (2W) for EGSM 900 Class 1 (1W) for GSM 1800
SIM card reader	External – connected via interface connector Note: The SIM card reader is not part of the GSM engine
Antenna design	50 Ohm antenna interface. Connectors vary with type of GSM engine: <ul style="list-style-type: none"> • TC35: GSC coaxial connector • TC37: Coaxial switching connector from AMP and antenna pad
Temperature range	Normal operation: -20°C to +55°C Restricted operation: -25° to -20°C and +55°C to +70°C Storage: -40°C to +85°C
Current consumption (typical)	Depending on operating mode <ul style="list-style-type: none"> • TALK mode (peak) at EGSM 900 / GSM 1800: 1.8A • TALK mode at EGSM 900 / GSM 1800: 300mA / 270mA • IDLE mode at EGSM 900 / GSM 1800: 10mA / 10mA • SLEEP mode: 3mA • Power Down mode: 50µA
Speech codec	Triple rate codec: <ul style="list-style-type: none"> • Half Rate (ETS 06.20) • Full Rate (ETS 06.10) • Enhanced Full Rate (ETS 06.50 / 06.60 / 06.80)
SMS	MT, MO, CB, Text and PDU mode
DATA	Transmission rates: 2.4, 4.8, 9.6, 14.4 kbps, non-transparent, USSD
FAX	Group 3: Class 1, Class 2
Audio interface	Analog voice: <ul style="list-style-type: none"> • Microphone • Earpiece • Handsfree (supports echo cancellation and noise reduction)

Feature	Implementation
Serial interface	RS232 (2.65V CMOS level) bi-directional bus for commands / data using AT commands TC35/TC37 modules support Multiplex mode according to the GSM 07.10 Multiplexer Protocol and enable one physical serial interface to be partitioned into three virtual channels. This allows you to take advantage of up to 3 simultaneous sessions on the serial interface. For example, you can transfer data over one channel while two further channels are free to control the GSM engine with AT commands.
Supported SIM card	3V
Phonebook management	Supported phonebook types: SM, FD, LD, MC, RC, ON, ME
Selectable baud rate	300bps ... 115kbps (AT interface)
Autobauding range	Supported baud rates: 1200, 2400, 4800, 9600, 19200, 38400, 57600, 115200
Firmware download	Optionally via RS232 interface or SIM interface
Real time clock	Implemented
Timer function	Programmable via AT command
Physical characteristics	Size: 54.5 x 36 x 6.75mm Weight: approx. 18g

2.2 Block diagram of TC35

Figure 1 shows a block diagram of the TC35 module and illustrates the major functional components:

- GSM baseband processor
- GSM radio
- Power supply (ASIC)
- Flash
- ZIF connector
- Antenna interface: Coaxial GSC type connector

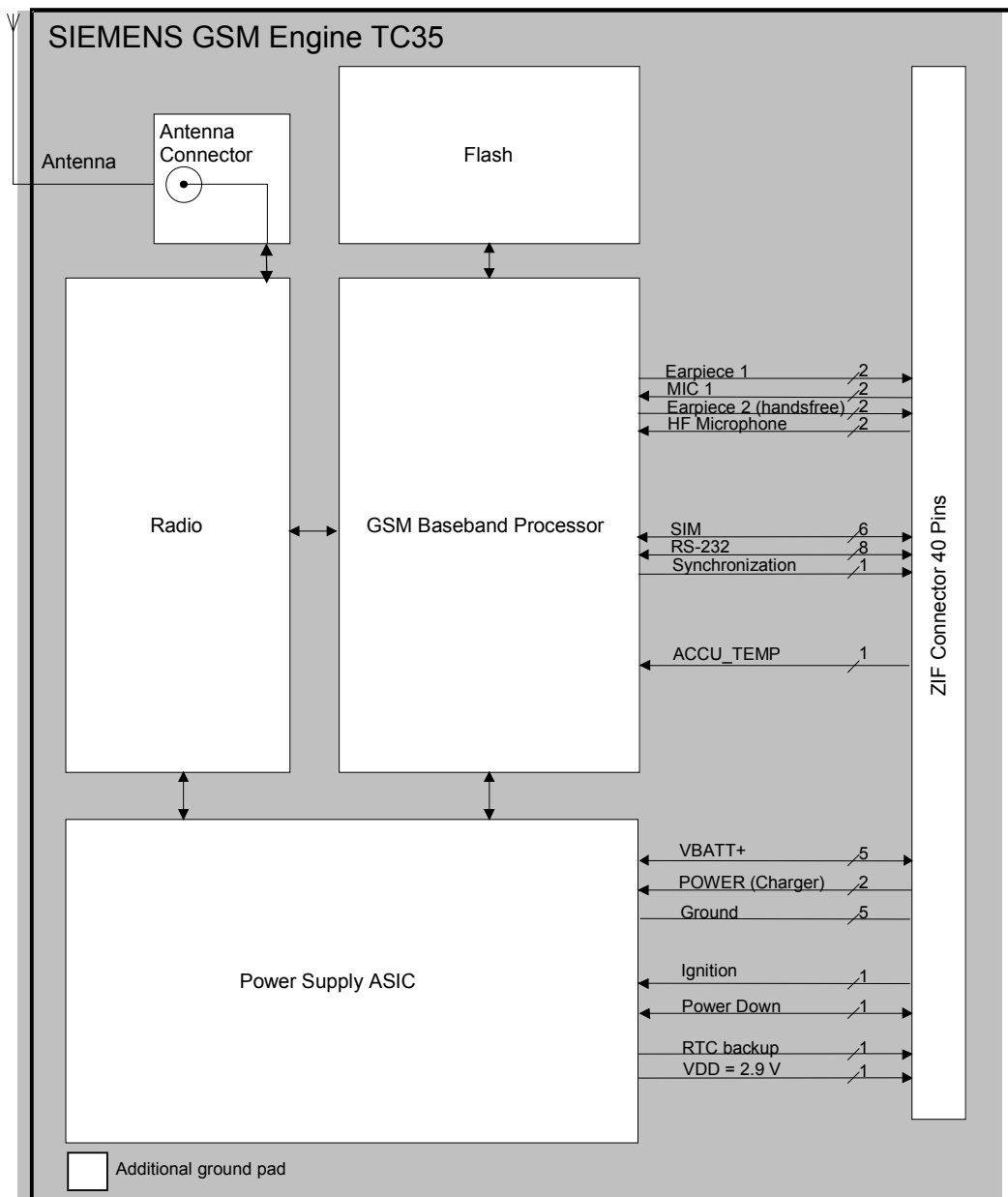
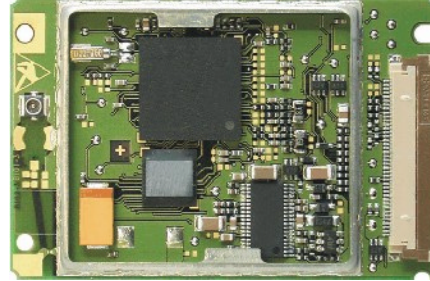


Figure 1: Block diagram of TC35

2.3 Block diagram of TC37

Figure 2 shows a block diagram of the TC37 module and illustrates the major functional components:

- GSM baseband processor
- GSM radio
- Power supply (ASIC)
- Flash
- ZIF connector
- Antenna interface: Coaxial switching connector and antenna pad (to be used alternatively)

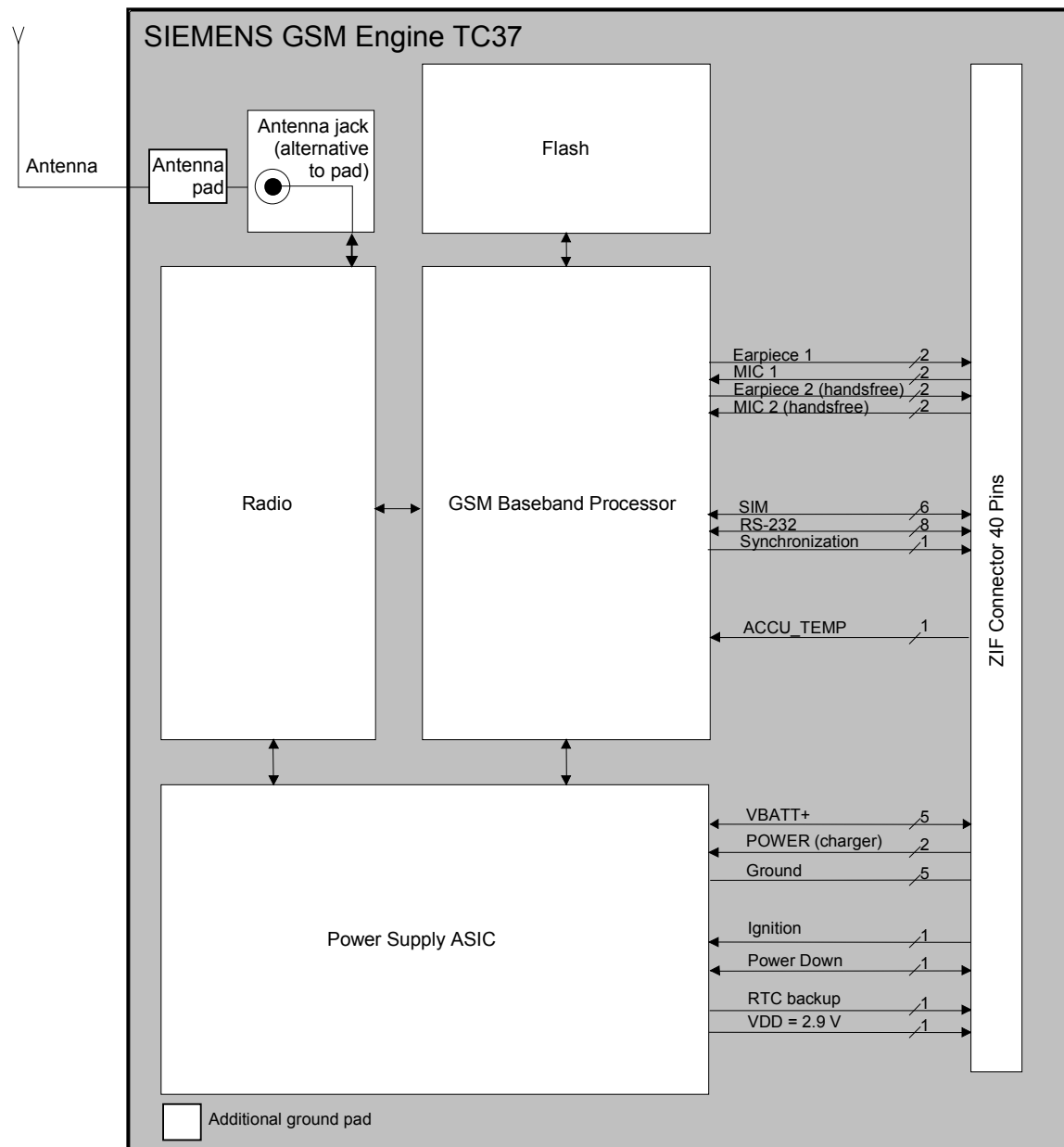
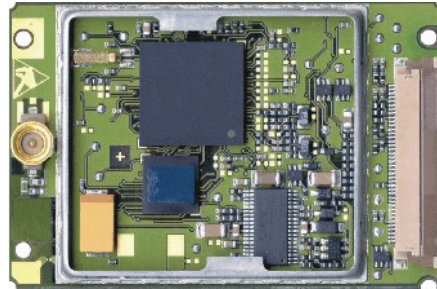


Figure 2: Block diagram of TC37

2.4 GSM baseband processor

The GSM baseband processor handles all the processing for audio, signaling and data transfer within a GSM cellular device. Internal software runs the application interface and the whole GSM protocol stack. A UART forms the interface to the cellular device application.

The GSM baseband processor is a single chip mixed signal baseband IC, containing all analog and digital functionality of a cellular radio. Designed to meet the increasing demands of the GSM/PCS cellular subscriber market, it supports FR, HR and EFR speech and channel coding without the need for external hardware.

Its high level of integration reduces system complexity, board dimensions and the number of components. In combination with the RF solution a complete two-chip GSM system solution is achieved, which results in extremely compact implementation, very low power consumption and cost effective system performance. Due to its very flexible interfaces the baseband controller can easily be set up to control a wide variety of RF architectures. The baseband processor is powered by a C166 CPU and a DSP processor core. Integrating these high performance processor cores with on-chip memory, a TDMA timer module and GSM specific peripherals provides a compelling single chip cellular baseband processor.

2.4.1 Features of the GSM baseband processor

The baseband processor includes the following major features:

- C166 MCU processor core
- Digital Signal Processing core
- On-chip MCU Program ROM / SRAM flexibly configurable as program or data RAM
- DSP Program ROM / RAM
- DSP Data ROM / RAM
- Programmable PLL for system clock generation
- GSM Timer Module that off-loads the MCU from radio channel timing
- MCU and DSP Timers
- Pulse Carry Modulation output for Automatic Frequency Correction (AFC)
- Serial RF Control Interface
- ISO 7816 compatible SIM card interface
- Digital and analog voiceband and baseband filters including digital-to-analog and analog-to-digital converters
- RF power ramping functions
- Measurement of battery voltage, battery and environment temperature
- GMSK Modulator
- Viterbi Hardware Accelerator
- A51/A52 Cipher Unit
- Comprehensive static and dynamic power management

3 Application Interface

The GSM engine connects to the application platform over the host interface, which takes the form of a 40-pin 0.5mm pitch ZIF connector.

The host interface incorporates several sub-interfaces described in the following chapters:

- Power supply and charging (see Chapters 3.2 and 3.3)
- Serial interface (see Chapter 3.5)
- Two audio interfaces (see Chapter 3.6)
- SIM interface (see Chapter 3.7)

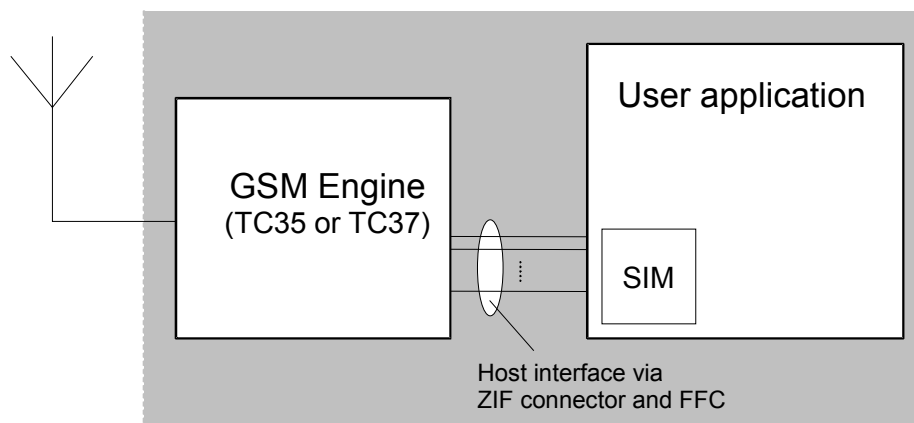


Figure 3: Block diagram of a cellular application

Electrical and mechanical characteristics of the ZIF connector are specified in Chapter 5.4. Ordering information for the ZIF connector and the required cables are listed in Chapter 6.

3.1 Operating modes

The table below briefly summarizes the various operating modes referred to in the following chapters.

Table 2: Overview of operating modes

Mode	Function	
Power Down	Operating voltage applied. Only a voltage regulator in the Power Supply ASIC is active for powering the RTC. Software is not active. The RS-232 interface is not accessible.	
Normal operation	SLEEP	Power saving mode set with AT+CFUN command. Software is active to minimum extent. If the GSM engine was registered to the GSM network in IDLE mode, it is registered and paging in SLEEP mode, too. AT interface is not responding.
	IDLE	Software is active. Once registered to the GSM network, paging with BTS is carried out. The engine is ready to send and receive.
	TALK	Connection between two subscribers is in progress. Power consumption depends on network coverage individual settings, such as DTX off/on, FR/EFR/HR, hopping sequences, antenna.
Alarm mode	Restricted operation launched by RTC alert function while GSM engine is in Power Down mode. GSM engine will not be registered to GSM network. Limited number of AT commands is accessible. If application is battery powered: No charging functionality in Alarm mode.	
Charge-only mode	Limited operation for battery powered applications. Enables charging while engine is detached from GSM network. Limited number of AT commands is accessible. There are several ways to launch Charge-only mode: <ul style="list-style-type: none"> • From Power Down mode: Connect charger to POWER lines when engine was powered down by AT^SMSO. • From Normal mode: Connect charger to POWER lines, then enter AT^SMSO. 	
Charge mode during normal operation	Normal operation (SLEEP, IDLE, TALK, DATA) and charging running in parallel. Charge mode changes to Charge-only mode when GSM engine is powered down before charging has been completed.	

See also Table 7 and Table 10 for the various options of waking up the GSM engine and proceeding from one mode to another.

3.2 Power supply

The power supply of the GSM Engine has to be a single voltage source in the range of $V_{BATT+} = 3.3V...5.5V$. It must be able to provide a peak current of about 2A for uplink transmission and account for drops on the VBATT+ line that may be caused in transmit bursts.

All the key functions for supplying power to the GSM engine are handled by an ASIC power supply. The ASIC provides the following features:

- Stabilizes the supply voltages for the GSM baseband processor and for the RF part using linear voltage regulators.
- Controls the module's power up and power down procedures.
A watchdog logic implemented in the baseband processor periodically sends signals to the ASIC, allowing it to maintain the supply voltage for all TC35/TC37 components. Whenever the watchdog pulses fail to arrive constantly, the module is turned off.
- Delivers, across the VDD pin, a regulated voltage of 2.9V/70mA for the external application.
- Monitors overvoltage and undervoltage.

The RF power amplifier is driven directly from VBATT+.

10 pins of the ZIF connector are dedicated to connect the supply voltage (VBATT+) and ground (GND).

Table 3: Power supply pins of ZIF connector

Signal name	Pin	I/O	Description	Parameter
VBATT+	1-5	I/O	Positive operating voltage	3.3 V...5.5 V, $I_{typ} \leq 2$ A during transmit burst The minimum operating voltage must not fall below 3.3 V, not even in case of voltage drop.
GND	6-10	X	Ground	0 V
POWER	11-12	I	Positive charging voltage	$I_{max} = 500$ mA (provided by external source, e.g. charger) $U = 5.5...8$ V internal Pull Down $R=100k\Omega$
VDDL	30	I/O	Buffering of RTC (see Chapter 3.3.1.4)	$U_{OUT,max} = V_{BATT+}$ $U_{IN} = 2.0$ V...4.8 V $R_i = 1k\Omega$ $I_{in,max} = 30\mu A$

3.2.1 Minimizing power losses

When designing the power supply for your application please pay specific attention to power losses. Ensure that the input voltage $V_{\text{BATT+}}$ never drops below 3.3 V on the TC35/TC37 board, not even during transmit bursts. Also, make sure that any voltage drops that may occur during transmit bursts never exceed 400mV. It should be noted that TC35/TC37 will be switched off in the event of exceeding these limits. For further details see Chapter 6.4.

Note: In order to minimize power losses, use a FFC cable as short as possible. The resistance of the power supply lines on the host board and a battery pack should also be considered.

Example: The ZIF-FFC-ZIF connection causes a resistance of 50mΩ in the VBATT+ line and 50mΩ in the GND line, if the FFC reaches the maximum length of 200mm. As a result, a 2A transmit burst would add up to a total voltage drop of 200mV. Plus, if a battery pack is involved, further losses may occur due to the resistance across the battery lines.

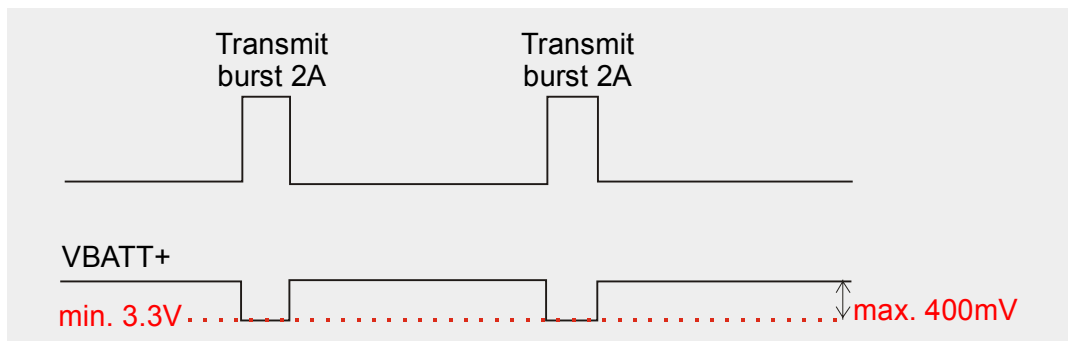


Figure 4: Power supply limits during transmit burst

3.2.2 Battery pack

For some applications the use of a battery pack may be required. TC35 and TC37 can be powered from a Li-Ion battery pack which must be specified for 3.8V, 0.85Ah and a final charge voltage of 4.2V.

The charging algorithm has been optimized for a battery pack that meets the characteristics listed below. It is strongly recommended that the battery pack you want to integrate into your TC35/TC37 application is compliant with these specifications. This ensures reliable operation, proper charging and, particularly, allows you to monitor the battery capacity using the AT^SBC command (see /1/ for details). A battery pack especially designed to operate with TC35/TC37 modules is specified in Chapter 3.2.2.1.

Battery pack characteristics

- Ensure that the battery pack incorporates a protection circuit. Since charging and discharging largely depend on the battery temperature, the battery pack should include an NTC resistor. If the NTC is not inside the battery pack it must be placed nearby. The NTC resistor must be connected between ACCU_TEMP and GND. Required NTC characteristics are: $10\text{ k}\Omega \pm 5\% @ 25^\circ\text{C}$, $B_{25/50} = 3435\text{K} \pm 3\%$ (alternatively acceptable: $10\text{ k}\Omega \pm 2\% @ 25^\circ\text{C}$, $B_{25/50} = 3370\text{K} \pm 3\%$). Please note that the NTC is indispensable for proper charging, i.e. the charging process will not start if no NTC is present.
- Furthermore, the protection circuit must be capable of detecting overvoltage (against overcharging), undervoltage (against deep discharging) and overcurrent. The circuit must be insensitive to pulse loading (see Chapter 3.2.2.1).
- On the TC35/TC37 module, a built-in measuring circuit constantly monitors the charging voltage. In the event of undervoltage, it causes the module to power down and automatically starts up trickle charging to protect the cell from damage. Undervoltage thresholds are specific to the battery pack and must be evaluated for the intended model. When you evaluate undervoltage thresholds, consider both the current consumption of TC35/TC37 and of the application circuit.
- The battery cell must be insensitive to rupture, fire and gasing under extreme conditions of temperature and charging (voltage, current).
- The battery pack must be protected from reverse pole connection. For example, the casing should be designed to prevent the user from mounting the battery in reverse orientation.
- The battery pack must be approved to satisfy the requirements of CE conformity.

Figure 5 shows the circuit diagram of a typical battery pack design that includes the protection elements described above.

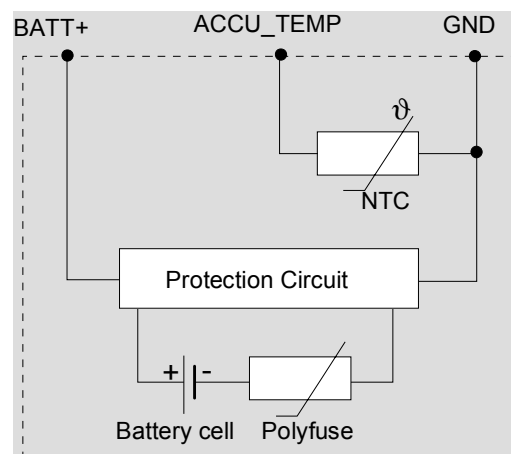


Figure 5: Battery pack circuit diagram

3.2.2.1 Recommended battery pack

The following battery pack has been especially designed to operate with TC35 and TC37 modules.

Table 4: Specifications of CGP34506 Panasonic battery pack

Product name	Battery cell P/N "CGP34506 Panasonic"
Vendor	Shenzhen XWODA electronic Co., Ltd To place orders or obtain more information please contact: Mr. Wang Ming Wang Phone: +86 755 7619731 Fax: +86 755 7608078 Email: xwda@xwda.com.cn
Nominal voltage	3.6V
Capacity	800mAh
NTC	10kΩ ± 5% @ 25°C B(25/85)=3435K ± 3%
Overcharge detection voltage	4.325 ± 0.025V
Overcharge release voltage	4.075 ± 0.025V
Overdischarge detection voltage	2.5 ± 0.05V
Overdischarge release voltage	2.9 ± 0.5V
Overcurrent detection	3 ± 0.5V
Nominal working current	<5μA
Current of low voltage detection	0.5μA
Overcurrent detection delay time	8~16ms
Short detection delay time	50μs
Overdischarge detection delay time	31~125ms
Overcharge detection delay time	1s
Internal resistance	<130mΩ

3.2.2.2 Supported charging technique

Charging can be accomplished only in a temperature range from 0°C to +45°C. The charging process supports trickle charging and processor controlled fast charging. In trickle mode, the battery is charged at a rate of less than 10mA. The fast charging rate provided by the charger or any other external source must be limited to 500mA. See also Table 29.

The charge cycle begins once the charger is tied to the two POWER pins of the ZIF connector. First, the charging process goes into trickle charge mode, no matter whether the battery was deeply or partially discharged. When the battery voltage reaches 3.2V within 60 minutes $\pm 10\%$, the Power ASIC turns on and wakes up the baseband processor.

Once activated, the baseband processor enables fast charging, in parallel to trickle charging. Fast charging delivers a constant current until the battery voltage reaches 4.2V and then proceeds with varying charge pulses. As shown in Figure 6, the pulse duty cycle is reduced to adjust the charging procedure and prevent the voltage from overshooting beyond 4.2V. Once the pulse width reaches the minimum of 100ms and the duty cycle does not change for 2 minutes, fast charging is completed.

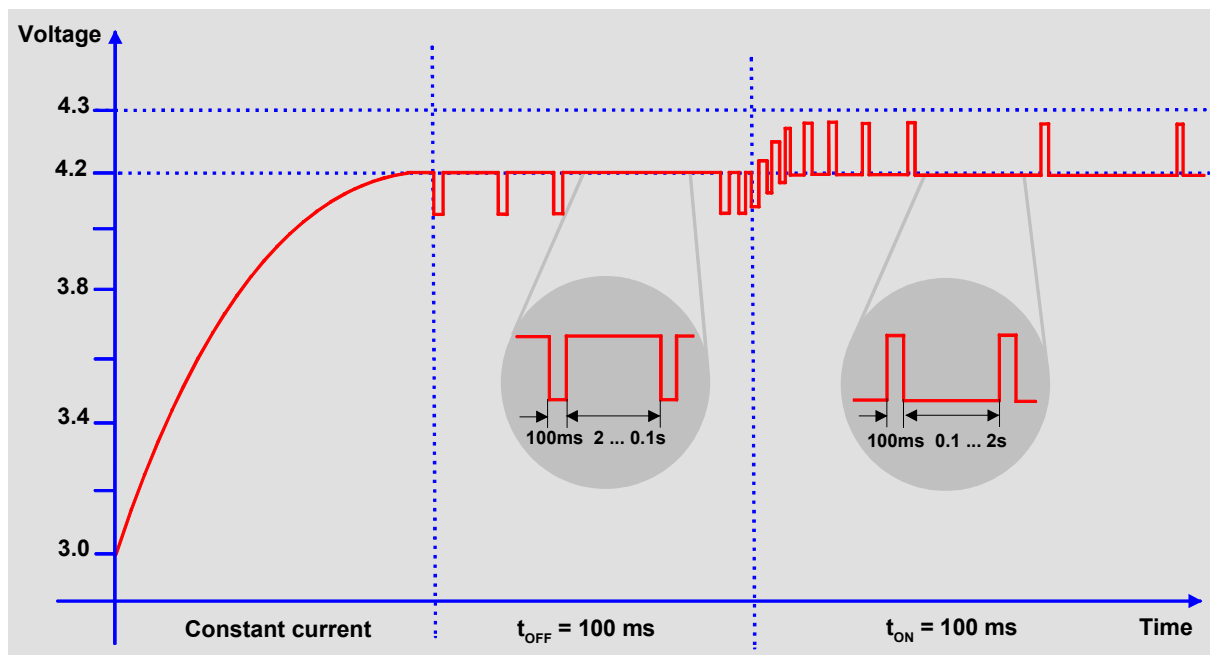


Figure 6: Charging process

Note: Do not connect the charger to the VBATT+ lines. Only the POWER lines are intended as input for charging!

The battery manufacturer must guarantee that the battery complies with the described charging technique. Please refer to the application notes "Battery Pack" and "Charging the Battery Pack" for a detailed description of the charging characteristics.

What to do if software controlled charging does not start up?

If the battery voltage fails to pass the 3.2V level when the 60 minutes timer expires, processor controlled charging does not begin. To solve the problem you can do one of the following:

- Once the voltage has reached its minimum of 3V, you can try to start software controlled charging by pulling the IGT line to ground.
- If the voltage is still below 3V, driving the IGT line to ground switches the timer off and, thus, prevents the system from proceeding to software controlled charging. Instead, you are required to shortly disconnect and reconnect the charger. This turns on the timer and starts anew the entire process.

Apart from this, trickle charging continues whenever the charger connects to the POWER lines.

3.2.2.3 Operating modes during charging

Of course, the battery can be charged regardless of the engine's operating mode. When the GSM engine is in Normal mode (SLEEP, IDLE or TALK mode), it remains operational while charging is in progress (provided that sufficient voltage is applied). The charging process during the Normal mode is referred to as *Charge mode*.

If the charger is connected to the POWER lines while the engine is in Power Down mode (caused by AT^SMSO), the GSM engine goes into *Charge-only mode*.

	How to activate mode	Advantages
Charge mode	Connecting charger to the POWER lines while GSM engine is <ul style="list-style-type: none"> • operating, e.g. in IDLE or TALK mode • in SLEEP mode 	<ul style="list-style-type: none"> • Battery can be charged while GSM engine remains operational and registered to the GSM network. • In IDLE and TALK mode, the RS-232 interface is accessible. AT command set can be used to full extent. • In SLEEP mode, the RS-232 interface is not accessible at all.
Charge-only mode	Connecting charger to the POWER lines while GSM engine is <ul style="list-style-type: none"> • in Power Down mode (powered down by AT^SMSO) • in Normal mode: Connect charger to POWER lines, then enter AT^SMSO. <p>IMPORTANT: While trickle charging is in progress, be sure that the application is switched off. If the application is fed from the trickle charge current the module might be prevented from proceeding to software controlled charging since the current would no be sufficient.</p>	<ul style="list-style-type: none"> • Battery can be charged while GSM engine is deregistered from GSM network. • Charging runs smoothly due to constant current consumption. • The AT interface is accessible and allows to use the commands listed below.

Features of the Charge-only mode

Once the GSM engine enters the Charge-only mode, the AT command interface presents an Unsolicited Result Code which reads:

```
^SYSSTART CHARGE-ONLY MODE
```

Note that this URC will not appear when autobauding was activated (due to the missing

synchronization between DTE and DCE upon start-up). Therefore, it is recommended to select a fixed baudrate before using the Charge-only mode.

While the Charge-only mode is in progress, you can take advantage of the AT commands listed in Table 5. For further instructions refer to the AT Command Set.

Table 5: AT commands available in Charge-only mode

AT command	Use
AT+CALA	Set alarm time
AT+CCLK	Set date and time of RTC
AT^SBC	Monitor charging process Note: While charging is in progress, no battery parameters are available. To query the battery capacity disconnect the charger. If the charger connects <i>externally</i> to the host device no charging parameters are transferred to the module. In this case, the command cannot be used.
AT^SCTM	Query temperature of GSM engine
AT^SMSO	Power down GSM engine

To proceed from Charge-only mode to normal operation, it is necessary to drive the ignition line to ground. This must be implemented in your host application as described in Chapter 3.3.1.1. When the engine is in Alarm mode there is no direct way to start charging, i.e. charging will not begin even though the charger connects to the POWER lines. See also Chapter 3.3.5 which summarizes the various options of changing the mode of operation.

If your host application uses the SYNC pin to control a status LED as described in Chapter 3.8.2.2, please note that the LED is off while the GSM engine is in Charge-only mode.

3.2.2.4 Charger requirements

The charger must be designed to meet the following requirements:

a) Simple transformer power plug

- Output voltage: 5.5V...8V (under load)
- The charge current must be limited to 500mA
- At an output voltage of 2.8V the current must never exceed 1A
- Voltage spikes that may occur while you connect or disconnect the charger must be limited to a maximum of 25V and must not exceed 1ms
- There must not be any capacitor on the secondary side of the power plug (avoidance of current spikes at the beginning of charging)

b) Supplementary requirements for a) to ensure a regulated power supply

- Output voltage: 5.5V...8V
- Current limit: 500mA
- When current is switched off a voltage peak of 10V is allowed for a maximum 1ms
- When current is switched on a spike of 1.6A for 1ms is allowed

Note: To detect extreme thermal conditions while charging is in progress, connect an NTC (10kΩ±5% @ 25°C, B=3435 Kelvin ±3%) from ACCU_TEMP to GND.

3.3 Power up / down scenarios

3.3.1 Turn on the GSM engine

TC35 and TC37 modules can be activated in a variety of ways which are described in the following chapters:

- via ignition line IGT: starts normal operating state (see Chapters 3.3.1.1 and 3.3.1.2)
- via POWER lines: starts charging algorithm (see Chapters 3.2.2.3 and 3.3.1.3)
- via RTC interrupt: starts Alarm mode (see Chapter 3.3.1.4)

3.3.1.1 Turn on GSM engine using the ignition line IGT (Power on)

To switch on TC35/TC37 the IGT (Ignition) signal needs to be driven to ground level for at least 100ms. This can be accomplished using an open drain/collector driver in order to avoid current flowing into this pin.

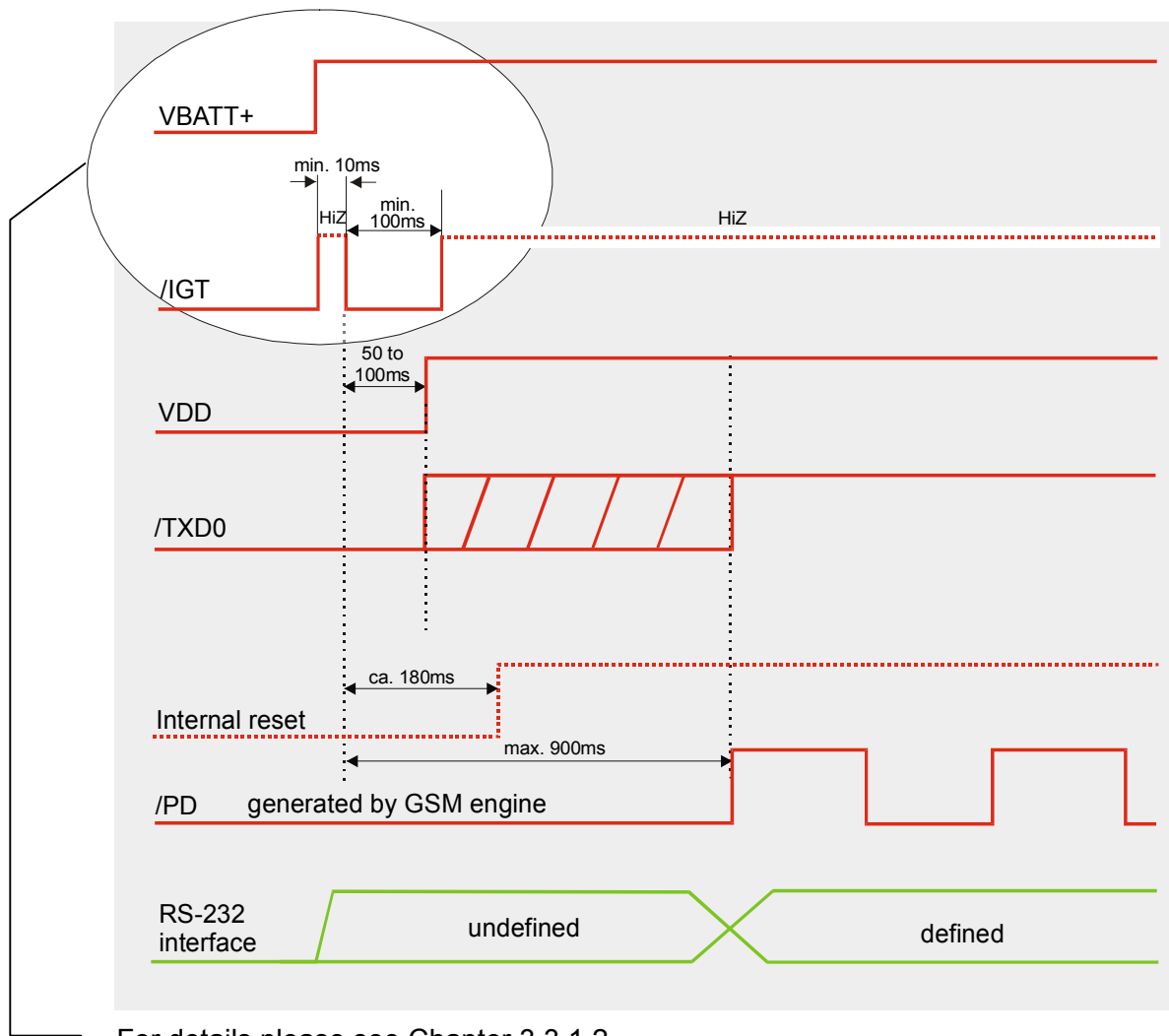


Figure 7: Power-on by ignition signal

In a battery operated TC35 or TC37 application, the duration of the /IGT signal must be 1s minimum when the charger is connected and you may want to go from charging to Normal mode.

3.3.1.2 Timing of the ignition process

When designing your application platform take into account that powering up TC35/TC37 requires the following steps.

- The ignition line cannot be operated until V_{BATT+} passes the level of 3.0V.
- 10ms after V_{BATT+} has reached 3.0V the ignition line can be switched low. The duration of the falling edge must not exceed 1ms.
- Another 100ms are required to power up the module.
- Ensure that V_{BATT+} does not fall below 3.0V while the ignition line is driven. Otherwise the module cannot be activated. If the VDDL_P line is fed from an external power supply as explained in Chapter 3.3.4, the $/IGT$ line is HiZ before the rising edge of V_{BATT+} .
- If the VDDL_P line is fed from an external power supply as explained in Chapter 3.4, the $/IGT$ line is HiZ before the rising edge of V_{BATT+} .

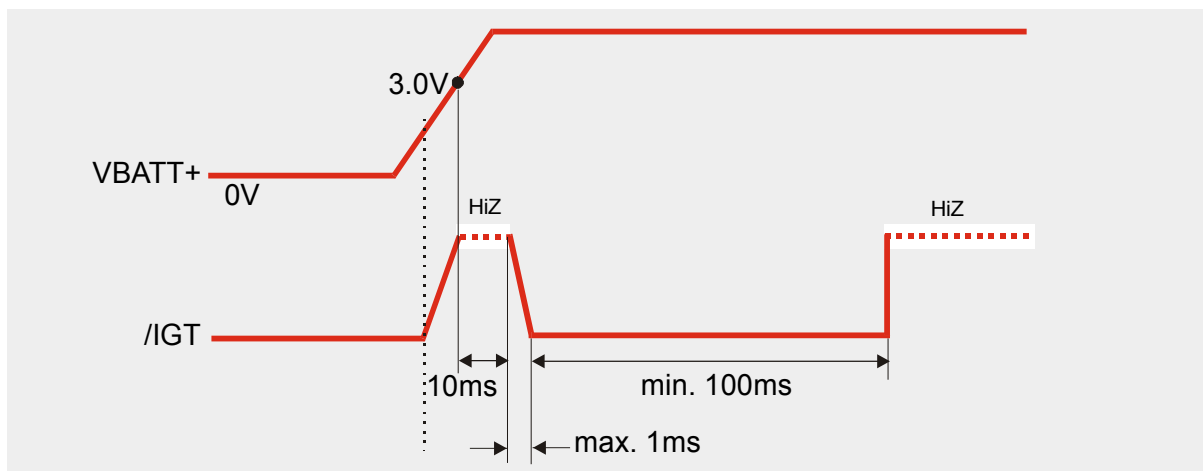


Figure 8: Timing of power-on process if VDDL_P is not used

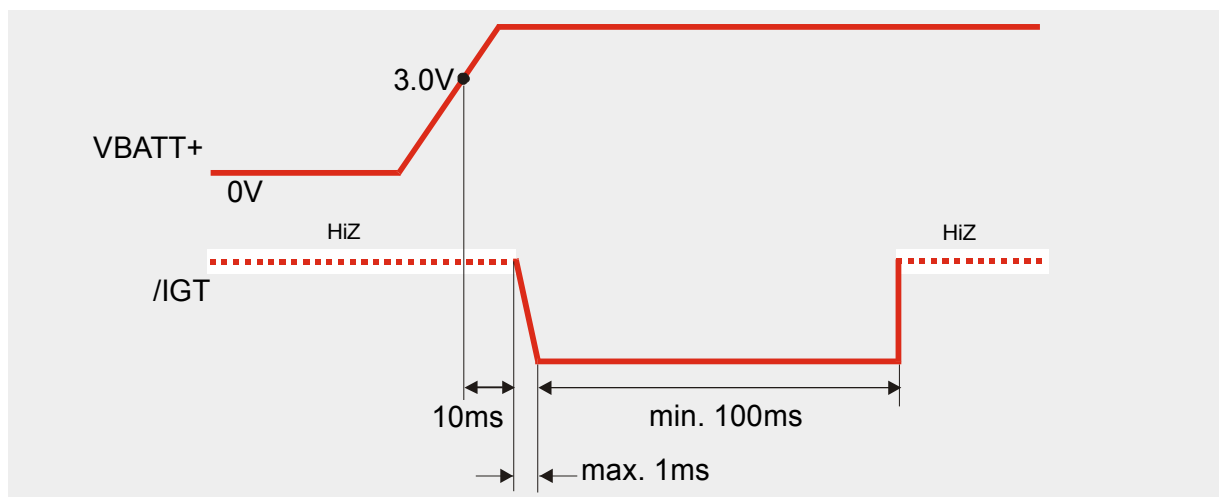


Figure 9: Timing of power-on process if VDDL_P is fed from external source

3.3.1.3 Turn on GSM engine using the POWER lines

As detailed in Chapter 3.2.2.3, the charging adapter can be connected regardless of the GSM engine's operating mode (except for Alarm mode).

If the charger is connected to the POWER lines while the GSM engine is off, only the charging algorithm will be launched. The GSM engine runs in a restricted mode, referred to as Charge-only mode.

During the Charge-only mode the GSM engine is neither logged on to the GSM network nor is the RS-232 interface fully accessible. When the minimum voltage of 3.2V is achieved within 60 minutes the charging process proceeds to software controlled charging. To switch to normal operation and log on to the GSM network, the IGT line needs to be activated.

3.3.1.4 Turn on GSM engine using the RTC (Alarm mode)

Another power-on approach is to use the RTC, which is constantly supplied with power from a separate voltage regulator in the power supply ASIC. The RTC provides an alert function which allows to wake up the GSM engine while power is off. To prevent the engine from unintentionally logging into the GSM network, this procedure only enables restricted operation, referred to as Alarm mode. It must not be confused with a wake-up or alarm call that can be activated by using the same AT command, but without switching off power.

Use the *AT+CALA* command to set the alarm time. The RTC retains the alarm time if the GSM engine was powered down by *AT^SMSO*. Once the alarm is timed out and executed, the GSM engine enters into the Alarm mode. This is indicated by an Unsolicited Result Code which reads:

```
^SYSSTART ALARM MODE
```

In Alarm mode only a limited number of AT commands is available. For further instructions refer to the AT Command Set.

Table 6: AT commands available in Alarm mode

AT command	Use
AT+CALA	Set alarm time
AT+CCLK	Set date and time of RTC
AT^SBC	In Alarm mode, you can only query the present current consumption and check whether or not a charger is connected. The battery capacity is returned as 0, regardless of the actual voltage (since the values measured directly on the cell are not delivered to the module).
AT^SCTM	Query temperature of GSM engine
AT^SMSO	Power down GSM engine

For the GSM engine to change from the Alarm mode to full operation (normal operating mode) it is necessary to drive the ignition line to ground. This must be implemented in your host application as described in Chapter 3.3.1.1. If your application is battery powered note that charging cannot be started while the engine is in Alarm mode, i.e. charging will not begin even though the charger connects to the POWER lines. See also Chapter 3.3.5 which summarizes the various options of changing the mode of operation.

If your host application uses the SYNC pin to control a status LED as described in Chapter 3.8.2.2, please note that the LED is off while the GSM engine is in Alarm mode.

3.3.2 Power saving

Intended for power saving, the SLEEP mode reduces the functionality of the module to a minimum and, thus, minimizes the current consumption to the lowest level. To activate SLEEP mode use the AT command

```
AT+CFUN=0.
```

While SLEEP mode is effective, the serial interface is not responding. The module shortly wakes up to respond to a paging request from the base station and immediately returns to the power saving mode.

The first wake-up event fully activates the module, enables the serial interface and terminates power saving. See following chapter for wake-ups.

3.3.3 Wake up GSM engine

The following table summarizes the options of waking up the GSM engine from SLEEP or Power Down mode. See also Table 10 for further information.

Table 7: Wake-up events

GSM engine is registered to GSM network	
How to wake up	From SLEEP mode
Ignition line	No
RTS (falling edge)	Yes
Unsolicited Result Code (URC)	Yes
Incoming call	Yes
Incoming SMS depending on mode selected by AT+CNMI: AT+CNMI=0,0 (= default, no indication upon receipt of SMS)	No
AT+CNMI=1,1 (= displays URC upon receipt of SMS)	Yes
RTC alarm	Yes
GSM engine is detached from GSM network	
How to wake up	From Power Down mode
Ignition line	Yes (see Chapter 3.3.1.1)
RTS (falling edge)	No
Unsolicited Result Code	No
Incoming call	No
RTC alarm	Yes, but only wake-up into Alarm mode (see Chapter 3.3.1.4)
Connecting charger to POWER lines	Yes, but only wake-up into Charge-only mode (see Chapter 3.2.2.3)

3.3.4 Turn off GSM engine

To switch the module off the following procedures may be used:

- *Normal procedure*: Software controlled by sending an AT command over the RS232 application interface. See Chapter 3.3.4.1.
- *Emergency shutdown*: Hardware driven by switching the /PD (Power Down) line of the ZIF connector to ground = immediate shutdown of supply voltages, only applicable if the software controlled procedure fails! See Chapter 3.3.4.2.
- *Automatic shutdown*: Takes effect if undervoltage / overvoltage is detected or if battery or board (engine) temperature exceeds critical limit. See Chapter 3.3.4.3.

3.3.4.1 Turn off GSM engine using AT command

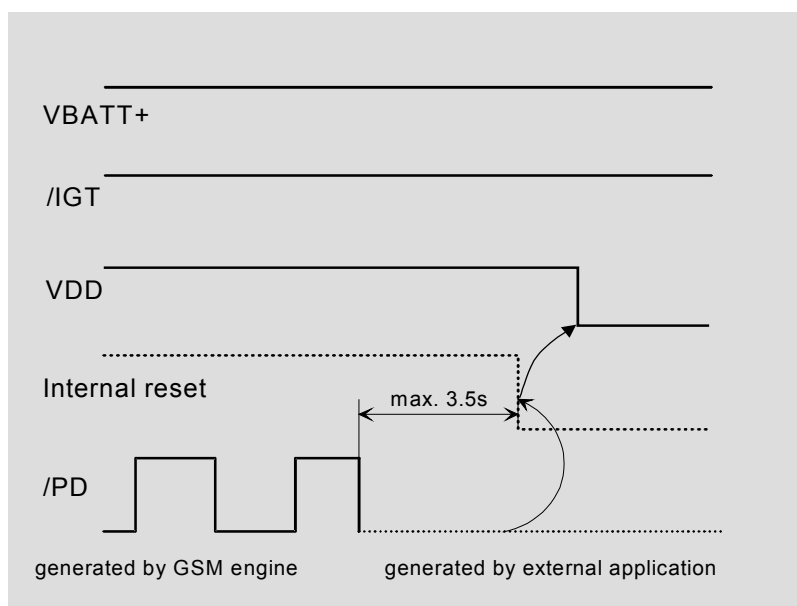
The best and safest approach to powering down the engine is to issue the `AT^SMSO` command. This procedure lets the engine log off from the network and allows the software to enter into a secure state and to save data before disconnecting the power supply.

If the module is in Charge Only mode (not logged into the GSM network), it switches off when the voltage is disconnected from the POWER inputs.

3.3.4.2 Emergency shutdown using /PD pin

Caution: Use the /PD pin only when, due to serious problems, the software is not responding for more than 5 seconds. Pulling the /PD pin causes the loss of all information stored in the volatile memory since power is cut off immediately. Therefore, this procedure is intended only for use in case of emergency, e.g. if TC35 fails to shut down properly.

The /PD signal is available on the ZIF connector. To control the /PD line it is recommended to use an open drain / collector driver. To actually turn the GSM engine off, the /PD line has to be driven to ground for ≥ 3.5 s.



How does it work:

- Voltage VBATT+ is permanently applied to the module.
- The module is active while the internal reset signal is kept at high potential.
- The module turns off once the PD signal is grounded, the baseband processor stops sending watchdog pulses to the ASIC and the VDD line goes low.

Figure 10: Deactivating GSM engine by Power Down signal

3.3.4.3 Automatic shutdown

To ensure proper operation of all assemblies under varying conditions, such as temperature, input voltage, transmission power etc., the GSM engine features protection elements for automatic shutdown.

Automatic shutdown takes effect if

- the PCB is exceeding the critical limits of overtemperature or undertemperature
- the battery is exceeding the critical limits of overtemperature or undertemperature.
- in a battery application, undervoltage is detected
- overvoltage is detected.

The automatic shutdown procedure is equivalent to the power-down initiated with the AT^SMSO command, i.e. the GSM engine logs off from the network and the software enters a secure state avoiding loss of data (except for overvoltage shutdown).

Alert messages transmitted before the device switches off are implemented as Unsolicited Result codes (URCs). Please note that these URCs will be generated only if the function was enabled before. To do this, use the AT^SBC and AT^SCTM commands. For detailed instructions refer to the "TC3x AT Command Set". If disabled (factory setting), no URCs will be sent, though the device turns off as necessary.

Temperature dependent shutdown

The board temperature is constantly monitored by an internal NTC resistor located on the PCB. The NTC that detects the battery temperature must be part of the battery pack circuit as described in Chapter 3.2.2. The values detected by either NTC resistor are measured directly on the board and the battery and therefore, are not identical with the ambient temperature. Use the AT^SCTM write command to enable or disable the URCs.

Proceeding from the measured temperature, TC35/TC37 sends an alert (if enabled) and switches off when exceeding the critical limits. Please refer to Chapters 3.2.2.1 and 6 for maximum ratings and excessive temperature. Environmental conditions are summarized in Table 9.

- URCs indicating the alert level "1" or "-1" allow you to take appropriate precautions, such as protect the module or battery from exposure to extreme conditions, or save or back up data etc.
- URCs indicating the alert level "2" or "-2" are followed by immediate shutdown. If AT^SCTM=0 (URCs disabled) you will not be informed before the module shuts down.

Table 8: Temperature dependent behaviour

Sending temperature alert	
^SCTM_A: 1	Caution: Battery close to overtemperature limit.
^SCTM_B: 1	Caution: TC35/TC37 board close to overtemperature limit.
^SCTM_A: -1	Caution: Battery close to undertemperature limit.
^SCTM_B: -1	Caution: TC35/TC37 board close to undertemperature limit.
Automatic shutdown	
^SCTM_A: 2	Alert: Battery beyond overtemperature limit. Module switches off.
^SCTM_B: 2	Alert: TC35/TC37 board beyond overtemperature limit. Module switches off.
^SCTM_A: -2	Alert: Battery below undertemperature limit. Module switches off.
^SCTM_B: -2	Alert: TC35/TC37 below undertemperature limit. Module switches off.

Table 9: Dependency on ambient temperature

Reason of shutdown	Ambient Temperature
High temperature	$T_{amb} > 70^{\circ}\text{C}$
Low temperature	$T_{amb} < -25^{\circ}\text{C}$
High temperature with battery pack	$T_{amb,Akku} > 60^{\circ}\text{C}$
Low temperature with battery pack	$T_{amb,Akku} < -15^{\circ}\text{C}$

Shutdown in the event of undervoltage

The software constantly monitors the applied voltage to check that the voltage is sufficient to set up a call. When the supply decreases to $V_{batt+} < 3.3\text{V}$, the following URC will be presented:

^SBC: Undervoltage

The message will be reported, for example, when you attempt to set up a call while the voltage is close to the critical limit and further power loss is caused during the transmit burst. To remind you that the battery needs to be charged soon the URC appears, in SLEEP or IDLE mode, several times before the module switches off. In this case, the battery capacity is still sufficient to set up a short call. If undervoltage occurs during a call (transmit burst), the module turns off immediately after the URC has been presented.

To enable or disable the URC use the AT^SBC command. The URC will be enabled only when you enter the write command and specify the power consumption of your GSM application. Step by step instructions are provided in the "TC3x35 AT Command Set".

Note: The undervoltage protection is only efficient in battery operated applications where an NTC is present. If no NTC is detected (no NTC connected to the ACCU_TEMP) undervoltage URCs will be not be generated. In this case, the module turns off without prior alert.

Shutdown in the event of overvoltage

Overvoltage protection is implemented in the PSU-ASIC. If the supply voltage raises to $V_{batt+} > 5.8\text{V}$ TC35 or TC37 switches off automatically. In contrast to undervoltage shutdown

- there is no URC function available
- and the module turns off immediately, i.e. loss of data cannot be avoided.

3.3.5 Summary of state transitions

Table 10: State transitions of TC35 / TC37

The table shows how to proceed from one mode to another (gray column = present mode, white columns = intended modes)

Further mode →→→	Power Down	Normal mode ^{**)}	Charge-only mode ⁾	Charging in normal mode ^{**))}	Alarm mode
Present mode					
Power Down mode <u>without</u> charger	---	/IGT >100 ms at low level	Connect charger to POWER (high level at POWER)	No direct transition, but via “Charge-only mode” or “Normal mode”	Wake-up from Power Down mode (if activated with AT+CALA)
Power Down mode with charger (high level at POWER pins)	---	/IGT (if supply voltage is above 3.0V). No automatic transition, but via Power Down mode without charger	100ms < /IGT < 500ms at low level	/IGT >1 s at low level	Wake-up from Power Down mode (if activated with AT+CALA)
Normal mode ^{**)}	AT^SMSO <u>or</u> exceptionally /PD pin > 3.5 s at low level	---	No automatic transition, but via “Power Down”	Connect charger to POWER (high level at POWER)	AT+CALA followed by AT^SMSO. Module enters Alarm mode when specified time is reached.
Charge-only mode ⁾	Disconnect charger (POWER at low level) <u>or</u> AT^SMSO <u>or</u> exceptionally /PD pin >3.5 s at low level	No automatic transition, but via “Charge in Normal mode”	---	/IGT >1 s at low level	AT+CALA followed by AT^SMSO. Module enters Alarm mode when specified time is reached and V _{BATT+} ≤ 3.3V
Charging in normal mode ^{**))}	Via “Charge-only mode” <u>or</u> exceptionally /PD pin > 3.5 s at low level	Disconnect charger from POWER	AT^SMSO	---	No direct transition
Alarm mode	AT^SMSO <u>or</u> exceptionally /PD pin > 3.5 s at low level	/IGT >100 ms at low level	No transition	/IGT >100 ms at low level	---

⁾ See Chapter 3.2.2.1 for details on the charging mode

^{**)} Normal mode covers TALK, IDLE and SLEEP modes

3.4 RTC backup

The internal Real Time Clock of TC35/TC37 is supplied from a dedicated voltage regulator which is part of the power supply ASIC and remains active while the module is powered down. An alarm function is included that allows to wake up the GSM engine without logging on to the GSM network.

In addition, you can use the VDDL P pin on the ZIF connector (pin no. 30) to backup the RTC from an external capacitor, a battery or an accumulator. The capacitor is charged by the VBATT+ line of TC35/TC37. If the voltage supply at VBATT+ is disconnected the RTC can be powered by the capacitor. The size of the capacitor determines the duration of buffering when no voltage is applied to the module, i.e. the greater capacitor the longer TC35/TC37 will save the date and time. For example, a capacitor $C=100\mu\text{F}$ typically buffers the date and time for 30 seconds, i.e. you have 30 seconds to change the battery or accumulator without losing the information.

If you need to adjust the date and time use the AT+CCLK command. To set the alarm time enter AT+CALA. For further instructions please refer to Chapter 3.3.1.4 and to the AT Command Set.

When designing the GSM application it is recommended to add a serial resistor to the VDDL P line in order to limit the input current of an empty capacitor.

The following figures show various sample configurations. The voltage applied at VDDL P can be in the range from 2 to 5.5V. Please refer to Table 18 for the parameters required.

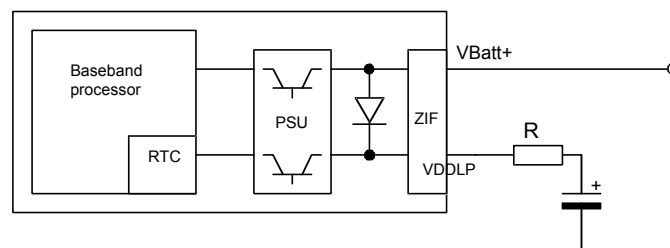


Figure 11: RTC supply from capacitor

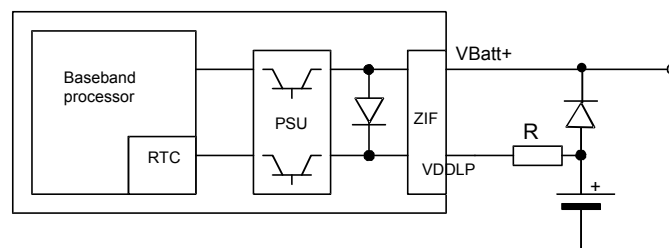


Figure 12: RTC supply from rechargeable battery (accumulator)

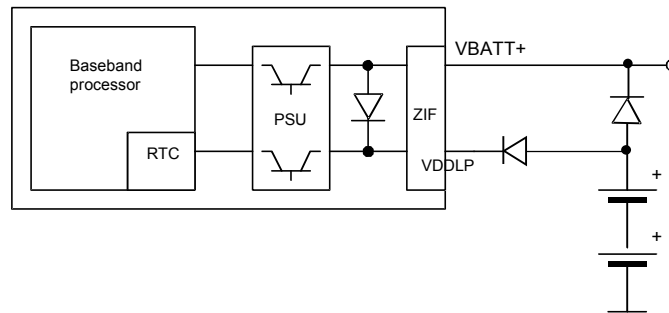


Figure 13: RTC supply from non-chargeable battery

Note: In battery powered applications (Figure 12 and Figure 13), ensure that the voltage supplied from the batteries is $V_{BATTERY} \leq V_{BATT+}$.

The V_{DDL} voltage should be kept below the minimum V_{BATT+} voltage. This is significant to prevent the GSM engine from being powered over the RTC backup battery. Please refer to chapter 3.9, Table 18 for more information.

3.5 Serial interface

The data interface is implemented as a serial asynchronous transmitter and receiver conforming to ITU-T RS-232 Interchange Circuits DCE. It operates at CMOS level (2.65V). All RS-232 signals on the ZIF connector are low active.

The GSM engine is designed for use as a DCE. Based on the conventions for DCE-DTE connections it communicates with the customer application (DTE) using the following signals:

- Port TxD @ application sends data to /TxD0 of the GSM engine
- Port RxD @ application receives data from /RXD0 of the GSM

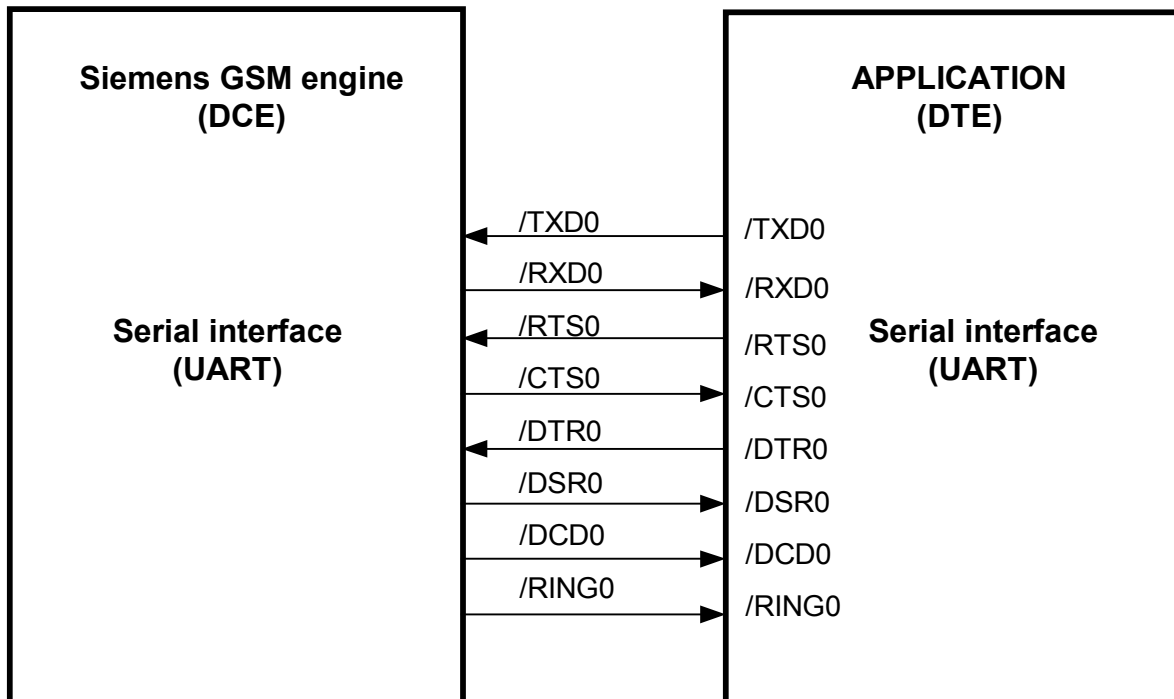


Figure 14: RS-232 interface

Table 11: DCE-DTE wiring

DCE			DTE	
Pin no ^{*)} .	Pin function	Signal direction	Pin function	Signal direction
19	TxD0	Input	TxD0	Output
18	RxD0	Output	RxD0	Input
21	RTS0	Input	RTS0	Output
20	CTS0	Output	CTS0	Input
22	DTR0	Input	DTR0	Output
16	DSR0	Output	DSR0	Input
23	DCD0	Output	DCD0	Input
17	RING0	Output	RING0	Input

^{*)} pin numbers on ZIF connector of GSM engine

The data interface is configured for 8 data bits, no parity and 1 stop bit, and can be operated at bitrates from 300bps to 115kbps. Autobauding supports bit rates from 4.8kbps to 115kbps (except for 14.4kbps and 28.8kbps). Hardware handshake using the RTS0 / CTS0 signals and XON/XOFF software flow control are supported.

In addition, the modem control signals DTR0^{*)}, DSR0, DCD0 and RING0 are available. The modem control signal RING0 (Ring Indication) can be used to indicate, to the cellular device application, that a call or Unsolicited Result Code (URC) is received. There are different modes of operation, which can be set with AT commands.

^{*)} **The DTR0 signal will only be polled once per second from the internal firmware of TC35/TC37.**

3.6 Audio interface

Each GSM engine comprises two audio interfaces, each with an analog microphone input and an analog earpiece output (see block diagram below).

To suit several types of equipment, there are six audio modes available which can be selected with the AT[^]SNFS command. The electrical characteristics of the voiceband part vary with the audio mode. For example, sending and receiving amplification, sidetone paths, noise suppression etc. depend on the selected mode and can be set with AT commands (except for mode 1).

Please refer to Chapter 6.5 for specifications of the audio interface and an overview of the audio parameters. Detailed instructions on using AT commands are presented in the "TC3x AT Command Set". Table 35 summarizes the characteristics of the various audio modes and shows what parameters are supported in each mode.

The first audio interface can be set to the audio modes 1 (default), 4 and 5. The default configuration is optimized for the Votronic HH-SI-30.3/V1.1/0 handset and used for type approving the Siemens reference configuration. Audio mode 1 has fix parameters which cannot be modified. In audio mode 4, you can avail of AT commands to adjust the Votronic handset as well as any individual handset.

The second audio interface is especially intended for headsets and can be configured to the audio modes 2, 3 or 6. In order to integrate a handsfree application you can take advantage of the Siemens Car Kit Portable and connect it to the second interface.

All microphone inputs and the earpiece / headset outputs are balanced. A power supply for electret microphones is implemented and can be used with in audio modes 1 to 4. If not needed, it has to be decoupled with capacitors.

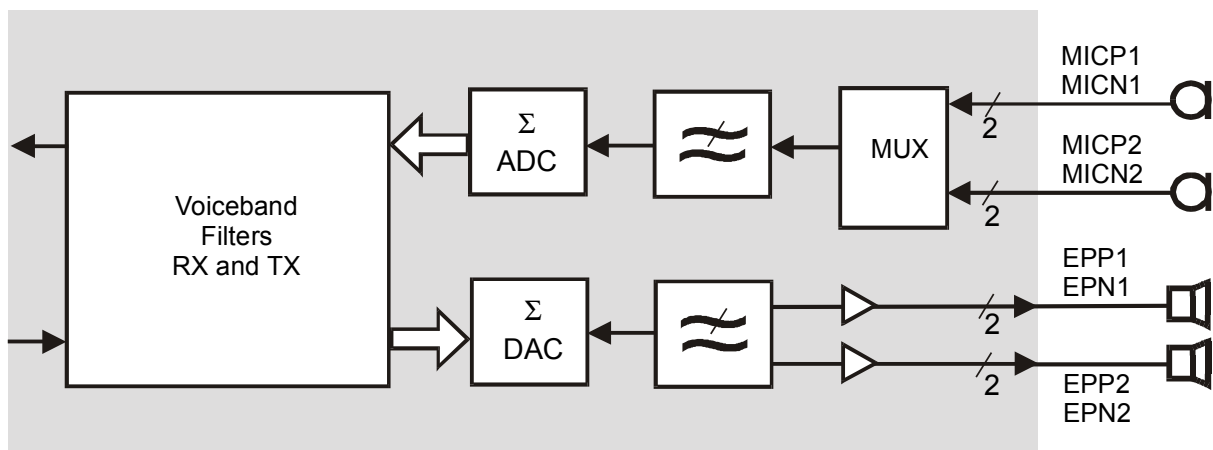


Figure 15: Audio block diagram

3.6.1 Speech processing

The voiceband filter includes a digital interpolation low-pass filter for received voiceband signals with digital noise shaping and a digital decimation low-pass filter for voiceband signals to be transmitted.

After voiceband (interpolation) filtering the resulting 2Mbit/s data stream is digital-to-analog converted and amplified by a programmable gain stage in the voiceband processing part. The output signal can directly be connected to the earpiece of the GSM cellular device or to an external handset earpiece (via I/O connector). In the opposite direction the input signal from the microphone is first amplified by a programmable amplifier. After analog-to-digital conversion a 2Mbit/s data stream is generated and voiceband (decimation) filtering is performed.

The resulting speech samples from the voiceband filters are handled by the DSP of the baseband controller to calculate e.g. amplifications, sidetone, echo cancellation or noise suppression.

Full rate, half rate and enhanced full rate, speech and channel encoding including voice activity detection (VAD) and discontinuous transmission (DTX) and digital GMSK modulation are also performed on the GSM baseband processor.

3.7 SIM interface

The baseband processor has an integrated SIM interface compatible with the ISO 7816-3 IC Card standard. This is wired to the host interface (ZIF connector) in order to be adapted to an external SIM card holder.

Six pins on the ZIF connector are reserved for the SIM interface. Further to the five wire SIM interface according to GSM 11.11, the CCIN pin has been added. The CCIN pin serves to detect mechanically whether or not a card is inserted into the card holder. The default level of CCIN is low (internal pull down resistor, no card inserted). It must go high when the card is inserted.

To take advantage of this feature, an appropriate contact is required on the card holder. For example, this is true for the model supplied by Molex Deutschland GmbH, which has been tested to operate with TC35/TC37 and is part of the Siemens reference setup for type approval (Molex ordering number 91228-0001). When designing the host application, ensure that the card holder on the host application provides a high signal when the SIM card is present.

It is recommended that the total cable length between the ZIF connector pins on TC35/TC37 and the pins of the card holder does not exceed 200 mm in order to meet the specifications of GSM Recommendations 11.10 and to satisfy the requirements of EMC compliance.

Note: Before removing the SIM card or inserting a new one be sure that the GSM engine has been powered down as described in Chapter 3.3.

Table 12: Signal of the SIM interface (ZIF connector)

Signal	Description
CCRST	Chipcard reset, provided by baseband processor
CCCLK	Chipcard clock, various clock rates can be set in the baseband processor
CCIO	Serial data line, input and output.
CCIN	Input on the baseband processor for detecting the SIM in the holder; if the SIM is removed during operation the interface is shut down immediately to prevent destruction of the SIM.
CCVCC	SIM supply voltage.
CCGND	Separate ground connection for SIM card to improve EMC

3.7.1 Approval considerations

European countries: For Europe (R&TTE) it is not mandatory to provide an extra approval for the SIM card holder used in an TC35/TC37 application. However, should your application be enhanced beyond the certified Siemens reference setup, it is recommended that you apply for an additional approval.

Other countries: You may be required to obtain an extra approval when your SIM card holder differs from the SIM interface schematics detailed in this chapter.

3.7.2 Design considerations for SIM card holder

The schematic below is a sample configuration that illustrates the Molex SIM card holder located on the DSB35 Support Box (evaluation kit used for type approval of the Siemens TC35/TC37 reference setup, see /4/ for technical details). X1201 is the designation used for the SIM card holder in /4/.

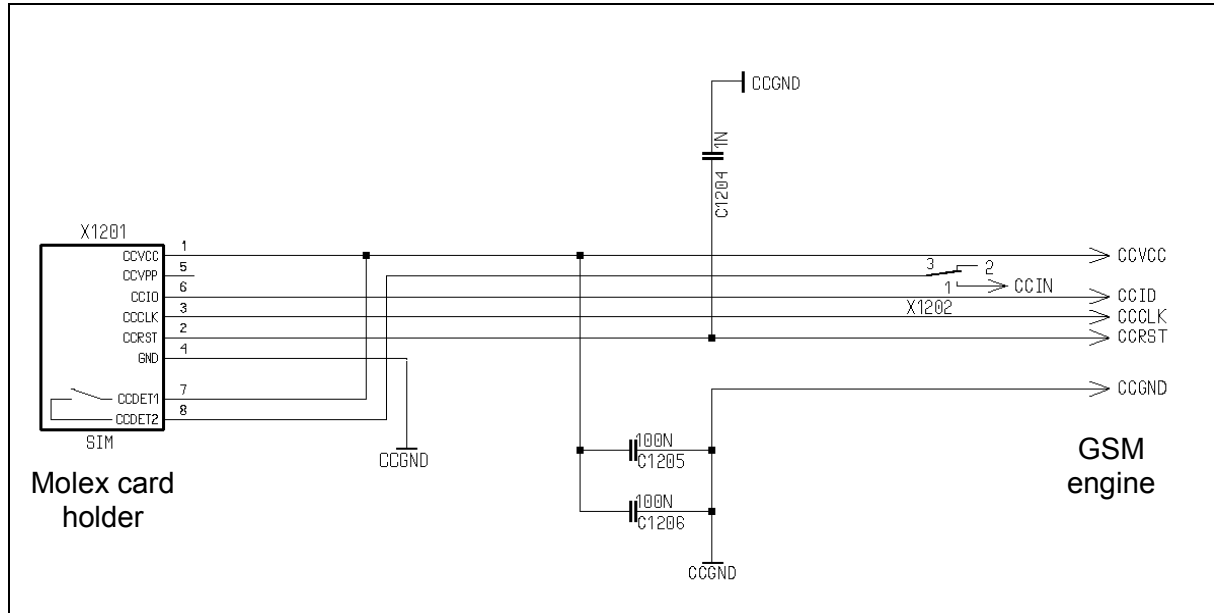


Figure 16: SIM card holder of DSB35 Support Box

Table 13 : Pin assignment of Molex SIM card holder on DSB35 Support Box

Pin no.	Signal name	I/O	Function
1	CCVCC	I	Supply voltage for SIM card, generated by the GSM engine
2	CCRST	I	Chip card reset, prompted by the GSM engine
3	CCCLK	I	Chip card clock
4	CCGND	-	Individual ground line for the SIM card to improve EMC
5	CCVPP	-	Not connected
6	CCIO	I/O	Serial data line, bi-directional
7	CCDET1	-	Connect to CCVCC
8	CCDET2		Connects to the CCIN input of the GSM engine. Serves to recognize whether a SIM card is in the holder. Removing the SIM card during operation will immediately stop further transmission of signals to the card to protect the card from damage.

Pins 1 through 6 are the minimum requirement according to the GSM Recommendations, while 7 and 8 are needed for the CCIN pin.

The X1202 switch is not mandatory, but may be added to help the system integrator control the CCIN signal, e.g. for designing and testing purposes. When the switch is pushed open (3 is switched to 2), the line simulates an empty SIM card holder as if no SIM card was inserted. When closed (3 switched to 1), the line simulates that the SIM card is present.

3.7.3 Grounding the SIM interface

To ground the SIM interface you can proceed from several approaches, depending on your individual application design. The following information is just one of several options you can apply:

Potential equalization can best be achieved by applying a separate ground for the SIM interface. For example, the PCB of your application platform may be designed to include an extra ground plane for the SIM card reader, rather than connecting the CCGND pin of the ZIF connector to the central ground on your application platform. For the SIM card ground plane, you can choose a capacitive or inductive coupling or a zero Ohm bridge. Often, a combination of capacitive and inductive coupling will yield best results. It depends on your actual layout where to place these lines. For ease of planning and designing, you can simply place the required footprints at each side of the ground plane and then decide which of them to use when you test your equipment for ESD and EMC protection.

An example can be gathered from the figure below.

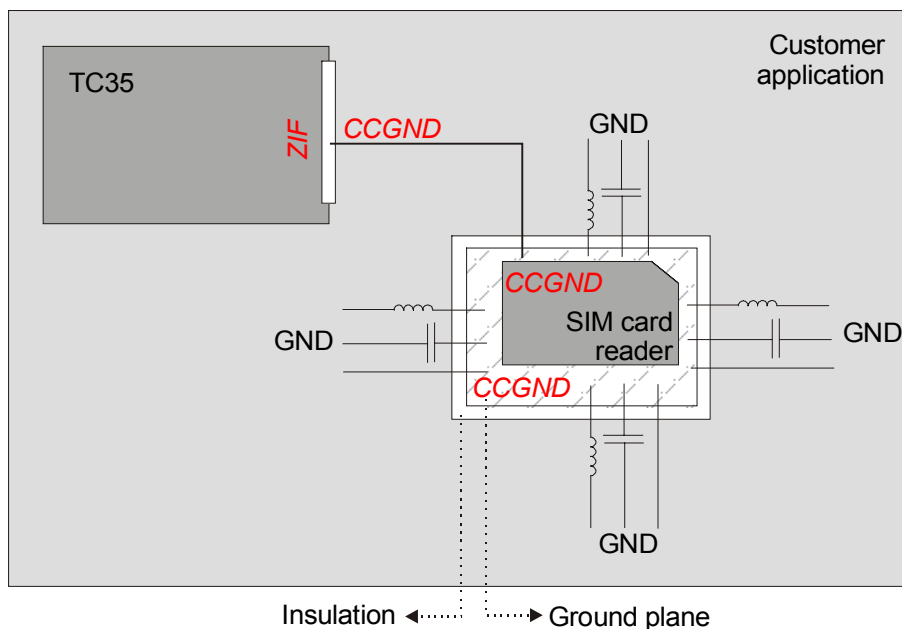


Figure 17: Connecting a separate ground for SIM interface

3.8 Control signals

The following control signals are available (2.65V CMOS level).

3.8.1 Inputs

Table 14: Input control signals of the TC35/TC37 module

Signal	Pin	Pin status	Function	Remarks
Ignition	/IGT	falling edge	Power up GSM engine	Active low \geq 100ms (open drain/collector driver required in cellular device application) Note: In a battery operated TC35 or TC37 application, the duration of the /IGT signal must be 1s minimum when the charger is connected and you may want to go from charging to Normal mode.
		left open or HiZ	No operation	
Power Down	/PD	0	Power down GSM engine	Active low \geq 3.5s (Open drain/collector driver required in cellular device application). At the /PD signal the watchdog signal of the GSM engine can be traced (see description in Table 18).
		left open or HiZ	No operation	

(HiZ = high impedance)

3.8.2 Outputs

3.8.2.1 Synchronization signal

The synchronization signal serves to indicate growing power consumption during the transmit burst. The signal is generated by the SYNC pin (pin number 32). Please note that this pin can adopt two different operating modes which you can select by using the AT^SSYNC command (mode 0 and 1). For details refer to the "AT Command Set".

To generate the synchronization signal the pin needs to be configured to mode 0 (= default). This setting is recommended if you want your application to use the synchronization signal for better power supply control. Your platform design must be such that the incoming signal accomodates sufficient power supply to the TC35 module if required. This can be achieved by lowering the current drawn from other components installed in your application. The characteristics of the synchronization signal are explained below.

Table 15: TC35 synchronization signal (if SYNC pin is set to mode 0 via AT^SSYNC)

Function	Pin	Status	Description
Synchronization	SYNC	= 0	No operation
		= 1	Indicates increased power consumption during transmission.

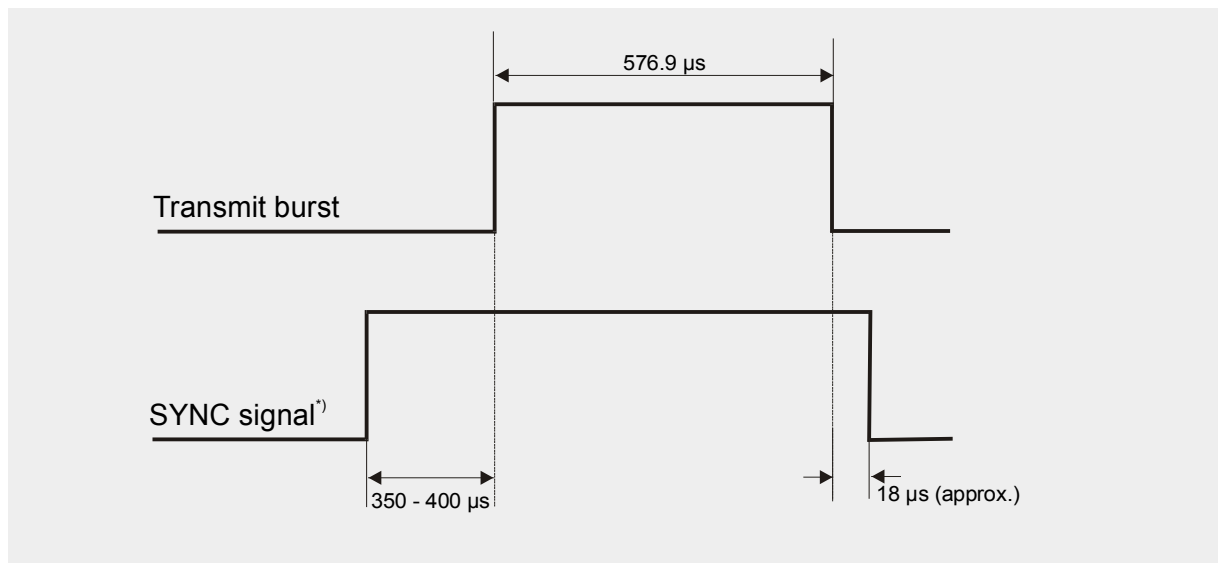


Figure 18: TC35 output control signals

^{*)} The duration of the SYNC signal is always equal, no matter whether the traffic or the access burst are active.

3.8.2.2 Using the SYNC pin to control a status LED

As an alternative to generating the synchronization signal, the SYNC pin can be used to control a status LED on your application platform.

To avail of this feature you need to set the SYNC pin to mode 1 by using the AT[^]SSYNC command. For details see the "AT Command Set".

When controlled from the SYNC pin the LED can display the following functions:

Table 16: Modes of the LED and associated functions

LED mode	Function
Off ^{*)}	TC35/TC37 is off, in SLEEP, Alarm or Charge-only mode.
600 ms On / 600ms Off ^{*)}	No SIM card inserted or no PIN entered, or network search in progress, or ongoing user authentication, or network login in progress.
75ms On / 3s Off ^{*)}	Logged to network (monitoring control channels and user interactions). No call in progress.
On	Depending on type of call: <i>Voice call:</i> Connected to remote party. <i>Data call:</i> Connected to remote party or exchange of parameters while setting up or disconnecting a call.

^{*)} LED Off = SYNC pin low. LED On = SYNC pin high (if LED is connected as illustrated in Figure 19)

To operate the LED a buffer, e.g. a transistor or gate, must be included in your application. A sample configuration can be gathered from Figure 19. Power consumption in the LED mode is the same as for the synchronization signal mode. For details see Table 18, pin number 32.

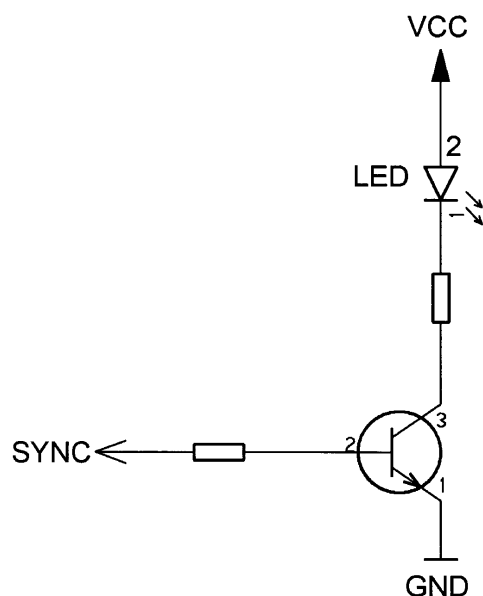


Figure 19: LED Circuit (Example)

3.8.2.3 Behaviour of the RING0 line

The behaviour of the /RING0 line depends on the type of the call received.

- When a *voice call* comes in the /RING0 line goes low for 1s and high for another 4s. Every 5 seconds the ring string is generated and sent over the RXD0 line. If there is a call in progress and call waiting is activated for a connected handset or handsfree device, the /RING0 line switches to ground in order to generate acoustic signals that indicate the waiting call.

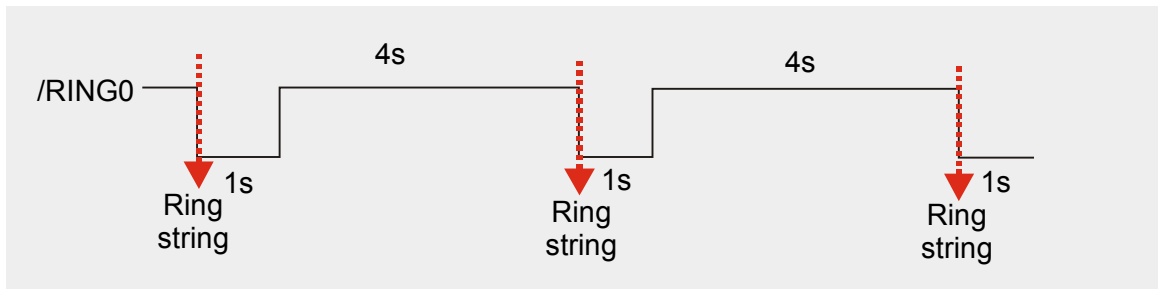


Figure 20: Incoming voice call

- Likewise, when a *Fax or data call* is received, /RING0 goes low. However, in contrast to voice calls, the line remains low. Every 5 seconds the ring string is generated and sent over the RXD0 line.

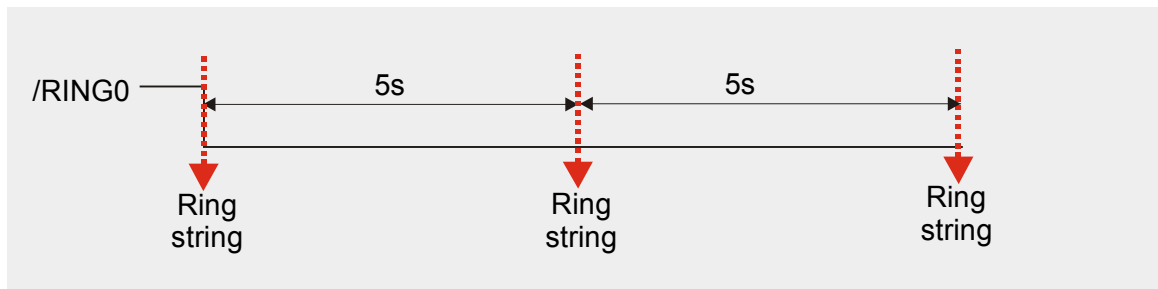


Figure 21: Incoming data call

- All types of unsolicited result codes (URCs) also cause the /RING0 line to go low, however for 1 second only. For example, the GSM engine may be configured to output a URC upon the receipt of an SMS. As a result, if this URC type was activated with *AT+CNMI=1,1*, each incoming SMS causes the /RING0 line to go low. For more detailed information on URCs please refer the "TC3x AT Command Set".

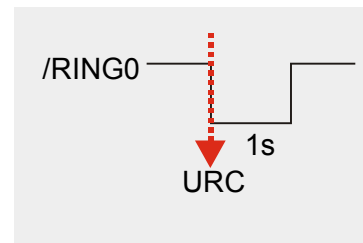


Table 17: Ring signal

Function	Pin	Status	Description
Ring indication	/RING0	= 0	Indicates an incoming call or URC. If in SLEEP mode, the cellular device application is caused to wake up.
		= 1	No operation

3.9 Pin assignment

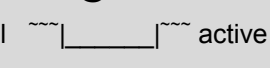
Please note that the reference voltages listed below are the values measured directly on the TC35 or TC37 module. They do not apply to the accessories connected.

Table 18: Pin assignment

Function	Signal Name	Pin No.	I/O	Signal Level	Comment
Power supply	VBATT+	1	I/(O)	Input: $V_{in} = 3.3V...5.5V$ $I_{max} \leq 2.0A$ at a return loss better than $\geq 6dB$ (see Figure 41 and Figure 42) I_{max} is valid only during uplink transmission timeslot (e.g. TALK mode: I_{max} for $577\mu s$ every $4.616ms$) Output: only valid when charging	Usage is mandatory Five power supply pins have to be connected in parallel due to peak current up to 2A Voltage must stay within the min/max values, including voltage drop, ripple, spikes. See also Table 29.
		2			
		3			
		4			
		5			
	GND	6	-	Ground (0V)	
		7			
		8			
		9			
		10			
Charger	POWER	11	I	$V_{in} = 5.5V...8V$ transformer plug $V_{in} = 5.5V...8V$ regulated plug $I_{max} = 550mA$ internal Pull Down ($100k\Omega$)	If unused keep pin open
		12			
Supply voltage for external application	VDD	13	O	IDLE / TALK mode: $V_{out} = 2.9V \pm 3\% @ 70mA$, $V_{Batt} = 4.2V$ and $T_{amb typ} = 25^{\circ}C$ $V_{out} = 2.9V \pm 3\% @ 20mA$, $V_{Batt} = 4.8V$ and $T_{amb typ} = 25^{\circ}C$ $I_{max} = 70mA$ Power Down mode: $V_{out} = 0V$ $C_{load max,extern} = 1\mu F$	Can be used, for example, to connect a level converter or a pull-up resistor. Not recommended for components operated by pulse current. If unused keep pin open. Voltage is applied 60ms – 100ms after IGT was driven low.
Battery temperature	AKKU_TEMP	14	I/O	External NTC: $R_{NTC} = 10k\Omega @ 25^{\circ}C$ $B = 3370$ Kelvin $\pm 3\%$ connected to GND IDLE/ TALK mode: $V_{out,MEAS}(R_{NTC}=10k\Omega)=1.15V$ Power Down mode: $V_{out} = 0V$ (internal Pull Down)	If unused keep pin open. If used: external NTC should be installed inside or near battery pack enables the charging algorithm and delivers temperature values

Function	Signal Name	Pin No.	I/O	Signal Level	Comment
Ignition	/IGT	15	I	IDLE/ TALK/ Power-Down mode: $V_{out} = 2.3V$ $R_{out} \approx 220k\Omega$ $V_{low,max} = 0.45V @ I_{out} = 10\mu A$ $t_{low} \geq 100ms$ (see Chapter 3.3!) Signal: falling edge and hold for t_{low}	Usage is mandatory Open drain/collector driver is required to pull down this pin to power on the GSM Engine Signal is low active.
RS232	DSR0	16	O	IDLE/ TALK mode:	Application interface to control GSM engine using AT commands If unused keep output pins open and connect input pins to VDD via 10k Ω . When a voice call comes in RING0 goes active low for 1s and inactive high for another 4s (alternating). An incoming data call also causes RING0 to go active low, but without changing to inactive high. See Chapter 3.8.2.3 for more details. DCD0 and DTR0 lines are connected via internal clamp diodes to 2.65V and GND
	/RING0	17	O	Output:	
	RxD0	18	O	$R_{out} \approx 1k\Omega$ $V_{out,low,max} = 0.2V @ I = 0.1mA$ $V_{out,high,min} = 2.25V @ I = -0.1mA$ $V_{out,high,max} = 2.76V$	
	TxD0	19	I		
	CTS0	20	O	Input:	
	RTS0	21	I	$R_i \geq 1M\Omega$ (1k Ω serial resistor) $V_{in,low,min} = -0.3V, V_{i,l,max} = 0.5V$ $V_{in,high,min} = 1.95V, V_{i,h,max} = 3.3V$	
	DTR0	22	I		
	DCD0	23	O	Power Down mode: Signals are not defined. Be aware of backward supply effects at the <i>inputs</i> and <i>outputs</i> .	

Function	Signal Name	Pin No.	I/O	Signal Level	Comment
SIM	CCIN	24	I	<p>IDLE / TALK mode:</p> <p>SIM contact (active high) $R_{PD} = 100k\Omega$ (internal Pull Down resistor to GND) $R_i \approx 10k\Omega$ $V_{in,low,max} = 0.4V$ $V_{in,high,min} = 2.15V$, $V_{i,h,max} = 3.3V$</p> <p>Power Down mode: Be aware of backward supply</p>	<p>All signals of the SIM interface are protected from electrostatic discharge by using spark gaps to GND and clamp diodes to 2.9V and GND</p> <p>If a card is inserted CCIN has to be at high level</p> <p>If not used connect to CCVCC</p>
	CCRST	25	O	<p>$R_i \approx 47 \Omega$</p> <p>External C = 1nF to CCGND required. This capacitor must be located close to the SIM card reader.</p>	<p>Usage is mandatory</p> <p>Signal levels according to GSM Rec. (2)</p> <p>FFC must not exceed 200mm to meet the timing requirements of GSM Rec. 11.10</p>
	CCIO	26	I/O	<p>Output:</p> <p>$R_o \approx 220 \Omega$ (serial resistor) $V_{OL,max} = 0.2 V$ at $I = 0.1 mA$ $V_{OH,min} = 2.25 V$ at $I = -0.1 mA$ $V_{OH} = 2.76 V$</p> <p>Input:</p> <p>$R_i \approx 10 k\Omega$ $V_{iL,min} = -0.3 V$, $V_{iL,max} = 0.5 V$ $V_{iH,min} = 1.95 V$, $V_{iH,max} = 3.3 V$</p>	
	CCCLK	27	O	<p>Output:</p> <p>$R_o \approx 220 \Omega$ (serial resistor) $V_{OL,max} = 0.2 V$ at $I = 0.1 mA$ $V_{OH,min} = 2.25 V$ at $I = -0.1 mA$ $V_{OH} = 2.76 V$</p>	
	CCVCC	28	O	<p>$CCVCC_{min} = 2.84V$ $CCVCC_{max} = 2.96V$ $I_{max} = 20mA$</p> <p>External C $\geq 200nF$ to CCGND is required. This capacitor must be located close to the SIM card reader.</p>	Usage is mandatory
	CCGND	29	O	Ground (0V)	Usage is mandatory. See Application note SIM Interface for details on grounding.

Function	Signal Name	Pin No.	I/O	Signal Level	Comment
RTC backup	VDDL	30	O I	<p>IDLE/TALK/Power Down mode if VBATT+ connected: $V_{out} = VBATT+ - 0.6V$ $I_{out,max} = 100mA$</p> <p>PD mode if VBATT+ disconnected: $V_{in} = 2.0V...5.5V$ $I_{in,max} = 30\mu A$ $t_{RTC,on} \approx 30s @ 100\mu F$ (typically)</p>	If unused keep pin open. See also chapter 3.3.4.
Power down For emergency only!	/PD	31	I/O	<p>IDLE/ TALK mode: Input: $R_i = 1k\Omega$; $V_{in,low,max} = 0.45V @ I = 0.1mA$</p> <p>input signal  active low $\geq 3.5s$</p> <p>Watchdog Output: $R_i = 22k\Omega$ $V_{out,low} = 0.35V @ 0.01mA$ $V_{out,high} = 2.30V @ -0.01mA$ $f_{out} = 0.5...2.0Hz$</p>	<p>If unused keep pin open</p> <p>Open drain/collector driver to GND required.</p> <p>/PD switches off the GSM engine. A low pulse at pin IGT resets the GSM Engine and restarts the system.</p> <p>The /PD pin also indicates the watchdog function.</p>
Synchronization	SYNC	32	O	<p>IDLE/ TALK mode: $R_o = 1k\Omega$ $V_{out,low,max} = 0.2V @ 0.1mA$ $V_{out,high,min} = 2.25V @ -0.1mA$ $V_{out,high,max} = 2.76V$</p> <p>Power Down mode: be aware of backward supply</p>	<p>If unused keep pin open</p> <p>Indication of increased current consumption during uplink transmission burst</p>

Function	Signal Name	Pin No.	I/O	Signal Level	Comment
Audio Interface	EPP2	33	O	$R_i = 15\Omega$, (30k Ω if not active) $V_{omax} = 3.7V_{pp}$, no load, @ 3.14 dBm0: $f = 1024\text{Hz}$, audio mode = 6, outBbcGain = 0, outCalibrate = 16384	If unused keep pin open
	EPN2	34	O		Differential output, e.g. for external loud-speaker amplifier for handsfree operation
	EPP1	35	O	$R_i = 15\Omega$, (30k Ω if not active) $V_{omax} = 3.7V_{pp}$, no load, @ 3.14 dBm0: $f = 1024\text{Hz}$, audio mode = 5, outBbcGain = 0, outCalibrate = 16384	If unused keep pin open
	EPN1	36	O		Differential output, e.g. for internal ear-piece
	MICP1	37	I	$Z_i = 2k\Omega$ $V_{imax} = 1.03V_{DD}$ $V_{supply} = 2.65V$ (0V if off), $R_{DC} = 4k\Omega$	Keep unused interface open
	MICN1	38	I		Balanced input with switchable microphone supply source, e.g. for internal microphone
	MICP2	39	I	$Z_i = 2k\Omega$ $V_{imax} = 1.03V_{DD}$ $V_{supply} = 2.65V$ (0V if off), $R_{DC} = 4k\Omega$	Keep unused interface open
	MICN2	40	I		Balanced input with switchable microphone supply source, e.g. for external microphone for handsfree operation

Explanation of signal names:

P = positive

N = negative

4 Radio interface

The RF part of TC35 and TC37 is based on the Transceiver Chip SMARTi. The transceiver consists of a heterodyne receiver part, an upconversion modulation loop transmitter, a RF PLL and fully integrated IF synthesizer.

4.1 Receiver

The receiver section of RF part provides the following features:

- Two low noise RF mixers for optimal dual band architectures
- Programmable Gain IF/Baseband amplifier strip by steps of 2dB
- Quadrature IF demodulator
- Differential I and Q outputs
- Programmable output DC level
- Automatic DC offset compensation

The signal received from the antenna first passes a gain programmable discrete low noise amplifier (LNA) in the receiver chain. After external filtering the double balanced RF signal is down converted to an intermediate frequency (IF) by a first mixer. The IF signal is passed through an external Surface Acoustic Wave (SAW) filter, which performs a rough channel selection. After that the signal is fed again into the receiver circuit to pass a digitally programmable gain-controlled amplifier (PGC). Finally the amplified IF signal is demodulated to baseband by a IQ demodulator. A differential offset introduced by the IQ demodulator is compensated by a sample-and-hold circuit. The resulting differential I and Q baseband signals are converted independently from analog to digital forming two 6.5Mbit/s data streams.

4.2 Transmitter

The transmitter section of the RF part provides the following features:

- Differential I and Q inputs
- IF quadrature modulator
- Integrated IF filters and down conversion mixer
- Digital 250MHz Phase Frequency Detector
- Programmable Charge pump current and phase detector polarity

The digital 10-bit I and Q baseband components (GMSK modulated and 8-times oversampled) provided by GSM baseband processor are converted in parallel from digital to analog. The resulting analog differential baseband signal is fed to the input of a quadrature amplitude modulator followed by the up-conversion loop. This up-conversion loop configuration converts the IF-band signal to the desired radio frequency in the 900MHz or 1.8GHz band. Finally a RF power module (Dual band) amplifies the RF signal to the required power. Ramping of the power amplifier is performed software controlled by 10-bit control values.

4.3 Antenna interface (antenna reference point – ARP)

There are no special antenna systems specified for TC35 and TC37. All RF interfaces (connectors or pad) have an impedance of 50Ω with an $SWR \leq 2$. TC35 and TC37 are capable of sustaining a total mismatch at the antenna connector or pad when transmitting with power control level for maximum RF Power.

Table 19: Return loss

State of module	Return loss of module	Recommended return loss of application
Receive	8dB min	higher than 12dB min
Transmit	not applicable	higher than 12dB min
Idle	5dB max	not applicable

4.3.1 Options of connecting the antenna

In order to suit the physical design of individual applications SIEMENS cellular engines provide various RF interfaces to connect an external or internal antenna:

- On TC35, a GSC connector is assembled on the PCB. The GSC connector is made by Murata. Though present on the board, the antenna pad is not connected.

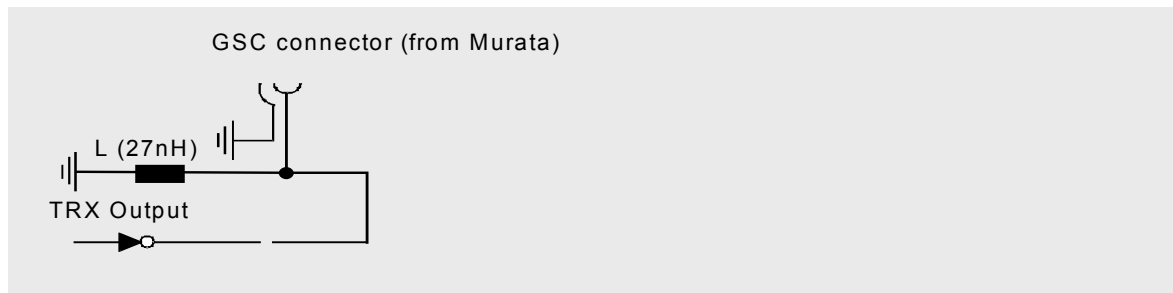


Figure 22: Antenna connector circuit on TC35

- TC37 comes with a gold plated antenna pad and a switching coax connector. Both options can be applied alternatively: Whenever an antenna is plugged into the coax connector the switch opens, thus disconnecting the pad. Vice versa, removing the antenna from the switch connector closes the switch and thus, activates the pad.

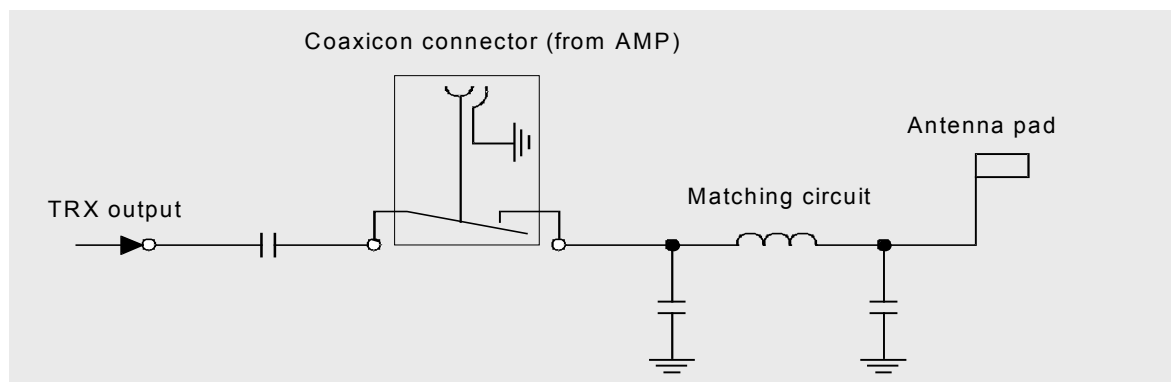


Figure 23: Antenna connector circuit on TC37

4.3.2 Description of antenna ports and connectors

Table 20: Signals available on GSC jack

Signal name	Pin	I/O	Description	Parameter
RF	Internal	I/O	RF input and output	Z = 50 Ω
GND	External	X	Ground connection	

Table 21: Signals available on antenna pad / coaxicon connector

Signal name	Pin	I/O	Description	Parameter
RF	Pad	I/O	RF input and output, can be deactivated when the jack is connected	
RF	Internal	I/O	RF input and output	Z = 50 Ω
GND	External	X	Ground connection	

5 Physical characteristics

5.1 Exploded diagram and PCBs

Figure 24 shows the PCBs of TC35 and TC37. The exploded assembly drawing applies to both modules.

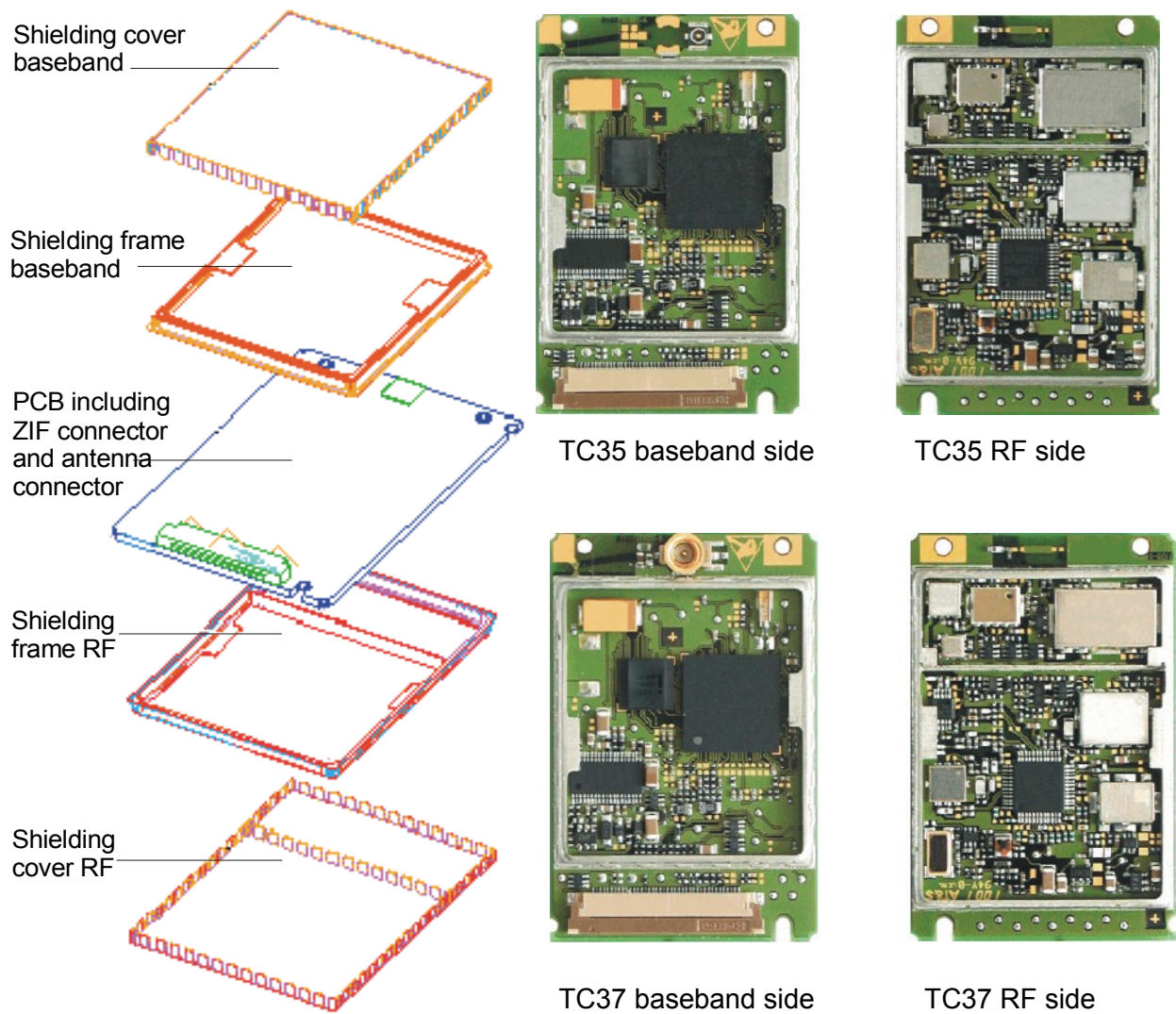


Figure 24: Exploded diagram and PCBs of TC35/TC37

5.2 Mechanical dimensions of TC35 and TC37

Figure 25 shows the RF part of TC35 and TC37 and provides an overview of the board's mechanical dimensions. For further details see Figure 26.

Size: 54.5+0.2 x 36±0.2 x 6.85±0.35 mm (height of antenna connector not considered)
Weight: approx. 18g

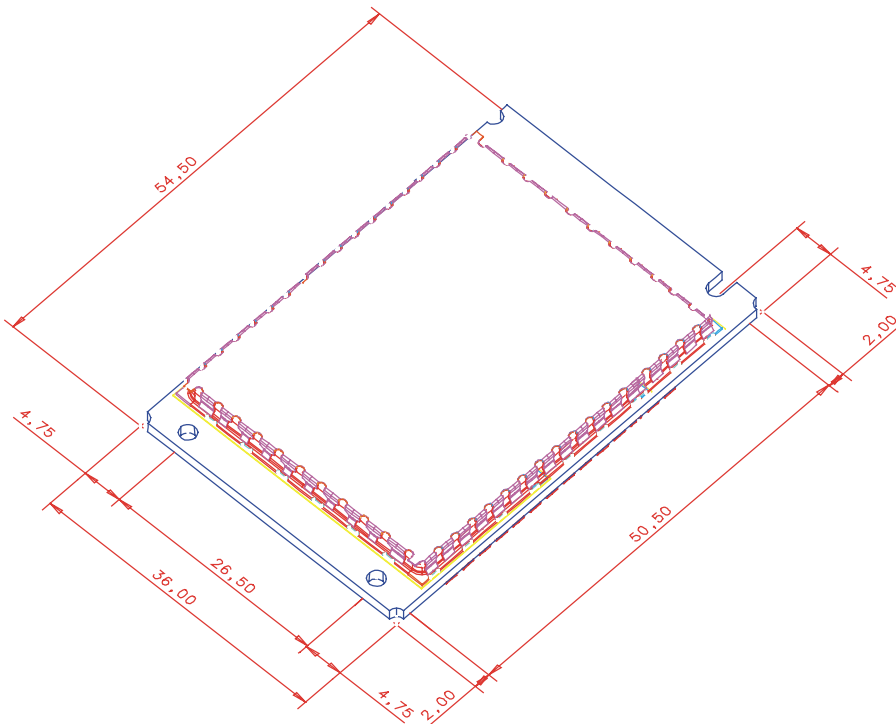


Figure 25: TC35 / TC37 – view of RF part

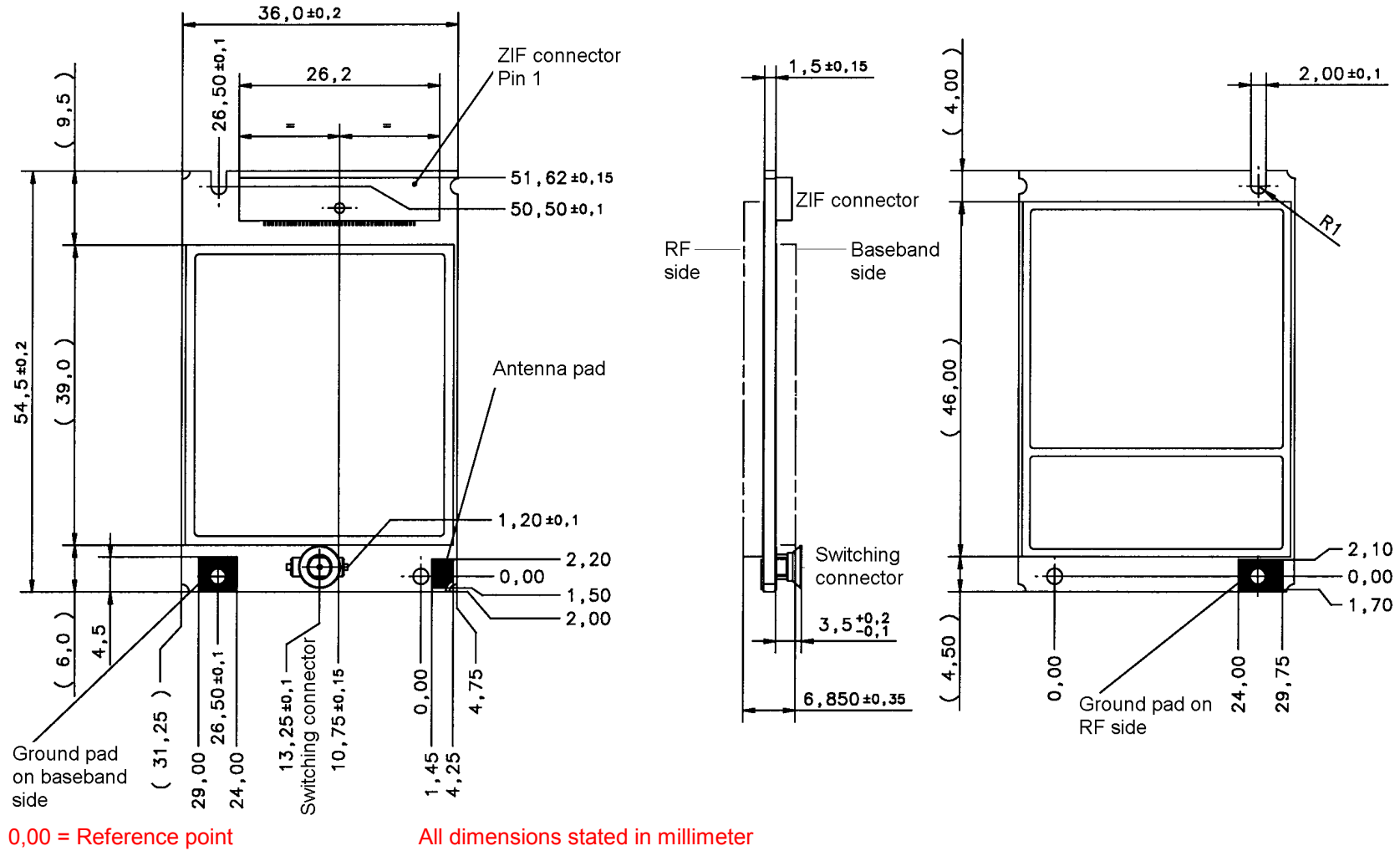


Figure 27: Mechanical dimensions of TC37

5.3 Mounting TC35/TC37 onto the application platform

For the cellular application to operate reliably it is essential that the GSM engine is securely attached to the host housing.

The TC35/TC37 board provides three mounting holes. To properly mount it to the host device you can use M1.6 or M1.8 screws plus suitable washers. The maximum diameter of the screw head incl. the washer must not exceed 4 mm.

To prevent mechanical damage, be careful not to force, bend or twist the GSM engine. Be sure it is positioned flat against the host device.

Avoid placing the TC35 or TC37 board tightly to the host device. Instead, it is recommended to set spacers between the module and the host device. If your design approach does not allow for spacers make sure the host device provides an opening for the RF part.

5.3.1 Mounting TC35

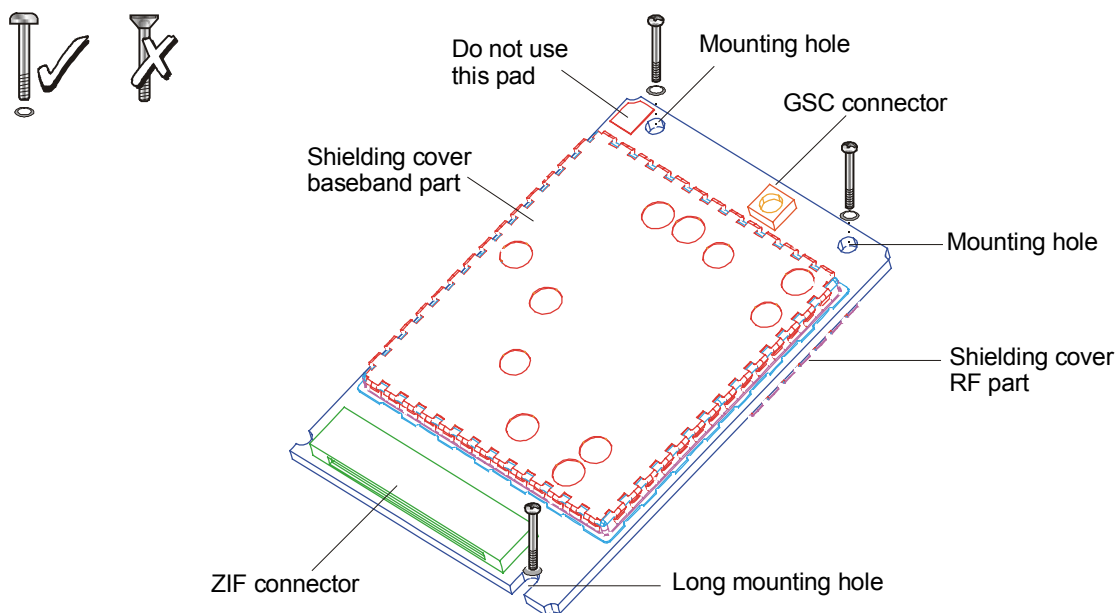


Figure 28: Mounting TC35 (example)

5.3.2 Mounting TC37

Caution: The antenna pad of TC37 is located close to the mounting hole. If you connect your antenna to the pad only insert an insulated (nylon) screw, or rather leave the hole open while using a clamp or clip to secure TC37 onto the host device.

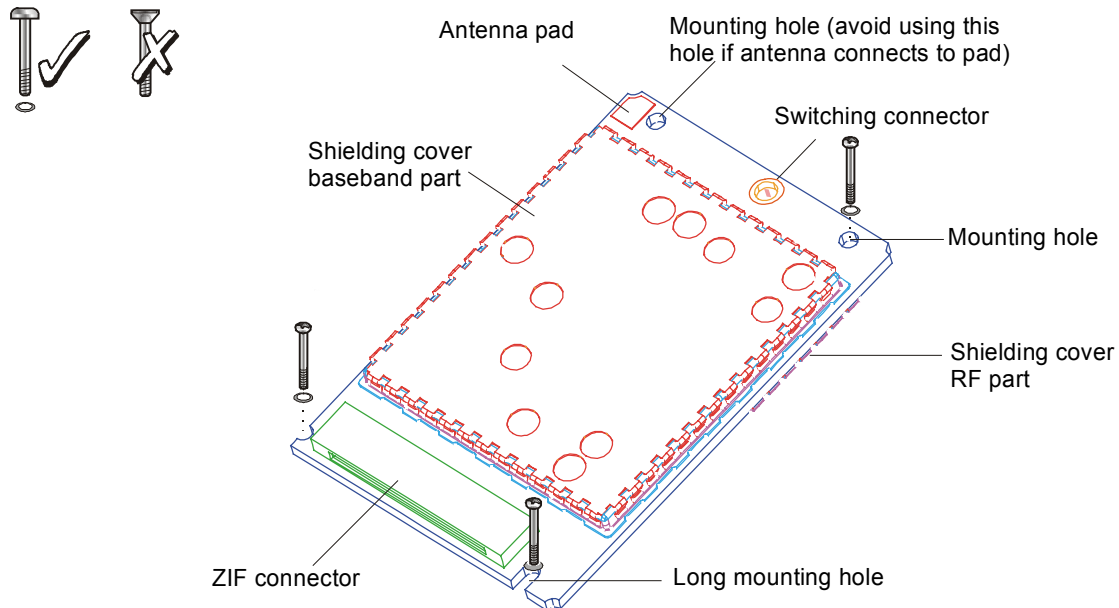


Figure 29: Mounting TC37 (example)

5.3.3 Positioning labels on TC35 and TC37

The product label is divided into two sections which are identical in content. The upper label can be placed on the customer application. The second label is positioned on the shielding cover of the RF part as shown below.

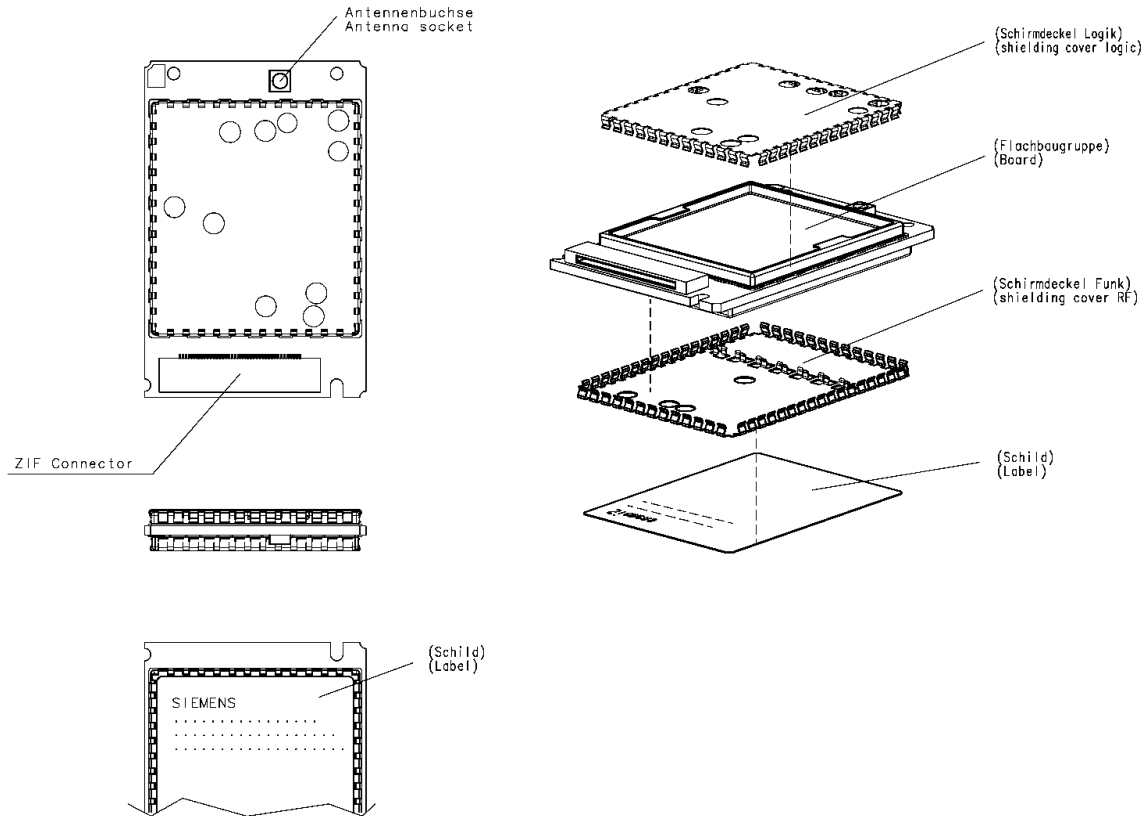


Figure 30: Positioning labels

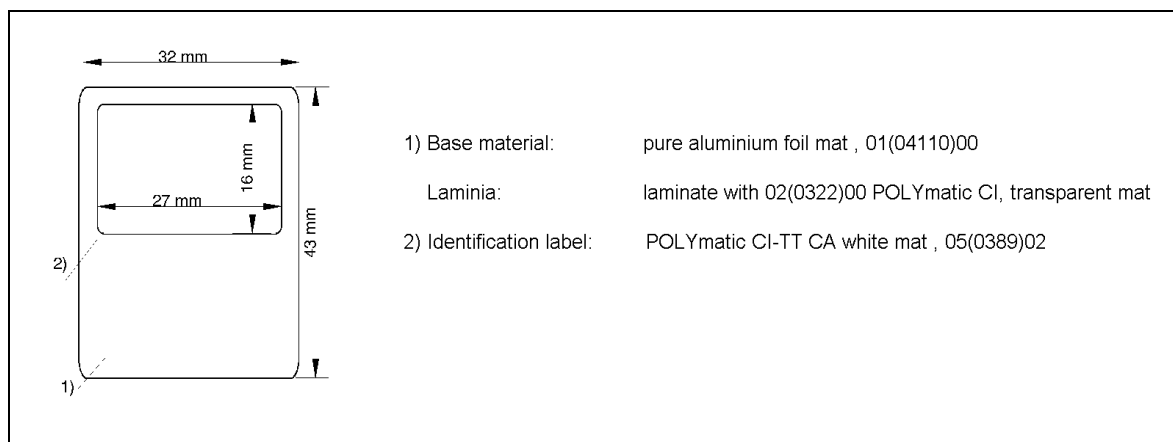
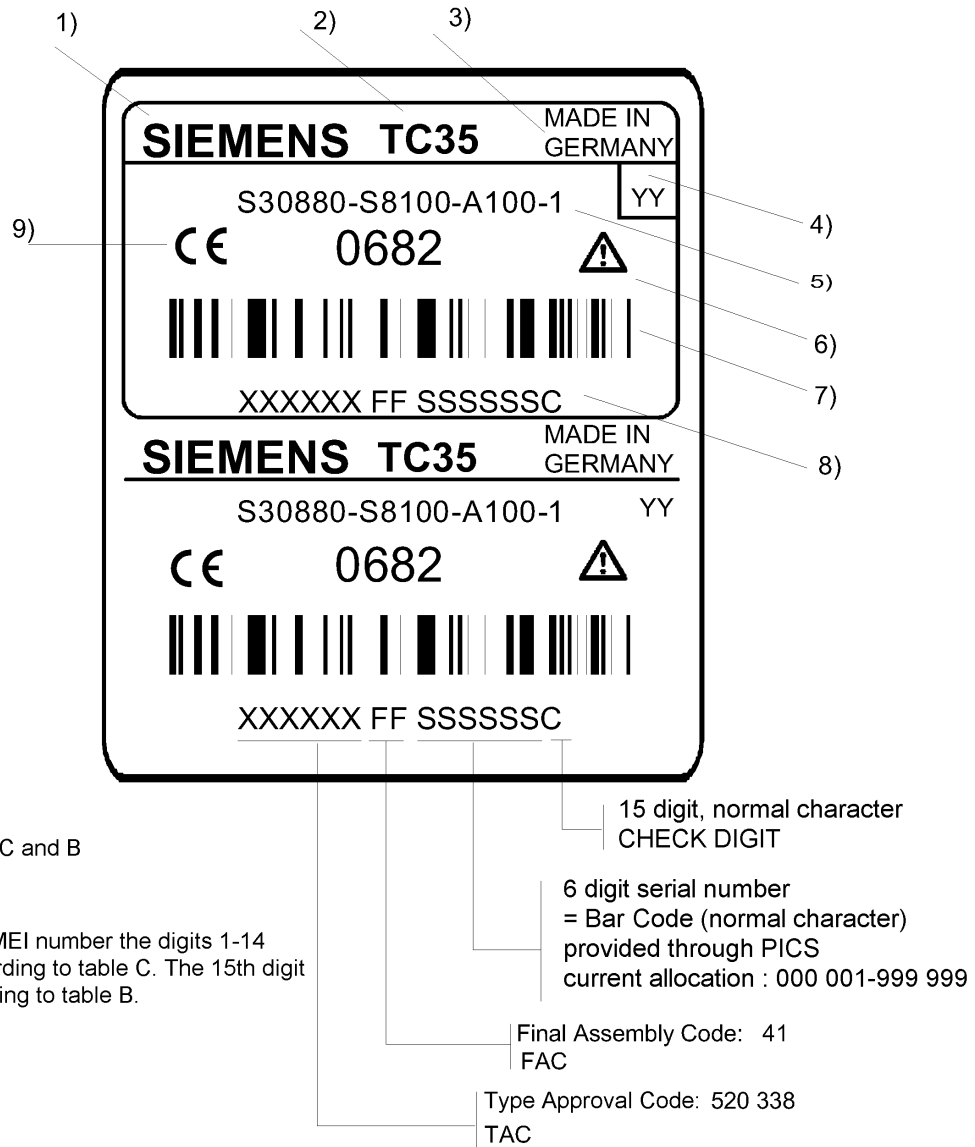


Figure 31: Label dimensions

Label made of aluminium foil with 1 removable white label with black characters



Bar-Code:

Type 128, table C and B

Features:

In the 15 digit IMEI number the digits 1-14 are coded according to table C. The 15th digit is coded according to table B.

- 1) Company name
- 2) Product name
- 3) Made in Germany
- 4) Date code
- 5) Code number
- 6) Note triangle
- 7) Barcode IMEI number
- 8) Normal character IMEI number
- 9) CE mark

Figure 32: Content of TC35 label

5.4 ZIF connector

This chapter provides specifications and handling instructions for the 40-pin ZIF connector and the Flat Flexible Cable (FFC) used to connect the GSM engine to the host application.

The ZIF (zero insertion force) design allows to easily fasten or remove the cable without the need for special tools. Simply insert the FFC cable into the open socket without using any pressure. Then carefully close the socket lid until the contacts of the socket grip the cable contacts.

Table 22: Electrical and mechanical characteristics of the ZIF connector

Parameter	Specification (40 pin ZIF connector)
Number of Contacts	40
Quantity delivered	2000 connectors per tape & reel
Voltage	50V
Current Rating	0.4A max per contact
Resistance	0.05 Ohm per contact
Dielectric Withstanding Voltage	200V RMS min
Operating Temperature	-40°C...+85°C
Contact Material	Phosphor bronze (tin-lead plated)
Insulator Material	PPS, natural color
Slider Material	PPS, natural color
FFC/FPC Thickness	0.3mm ±0.05mm (0.012" ±0.002")
Profile Height	2.00mm
Dimension A	24
Dimension B	19.5
Dimension C	26.2
Maximum connection cycles	50
Cable	FFC (Flat Flexible Cable), max. length 200mm from SIM interface

5.4.1 Mechanical dimensions of the ZIF connector

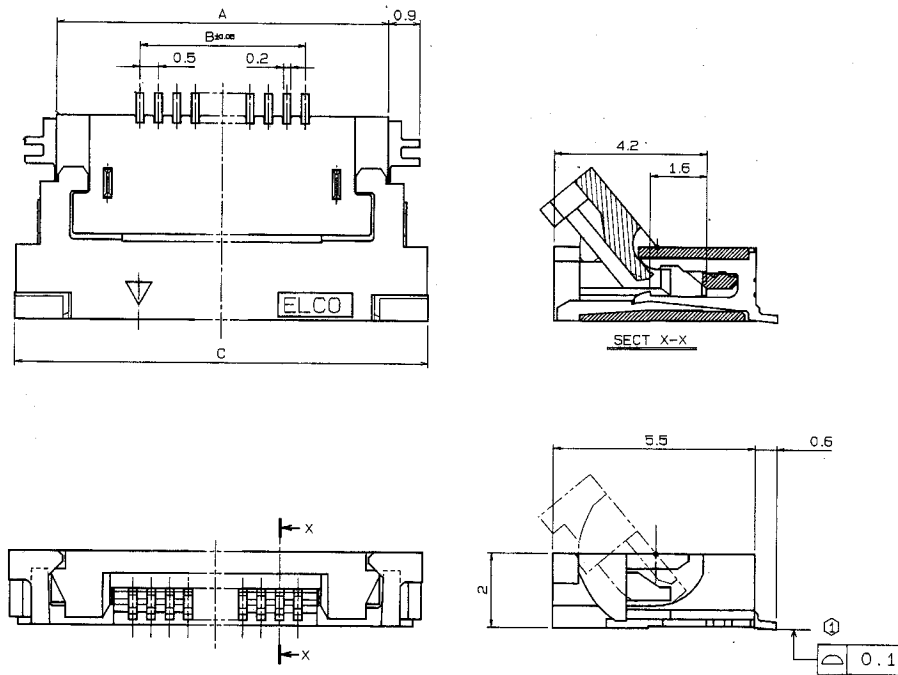


Figure 33: Mechanical dimensions of ZIF connector

Pad-Layout

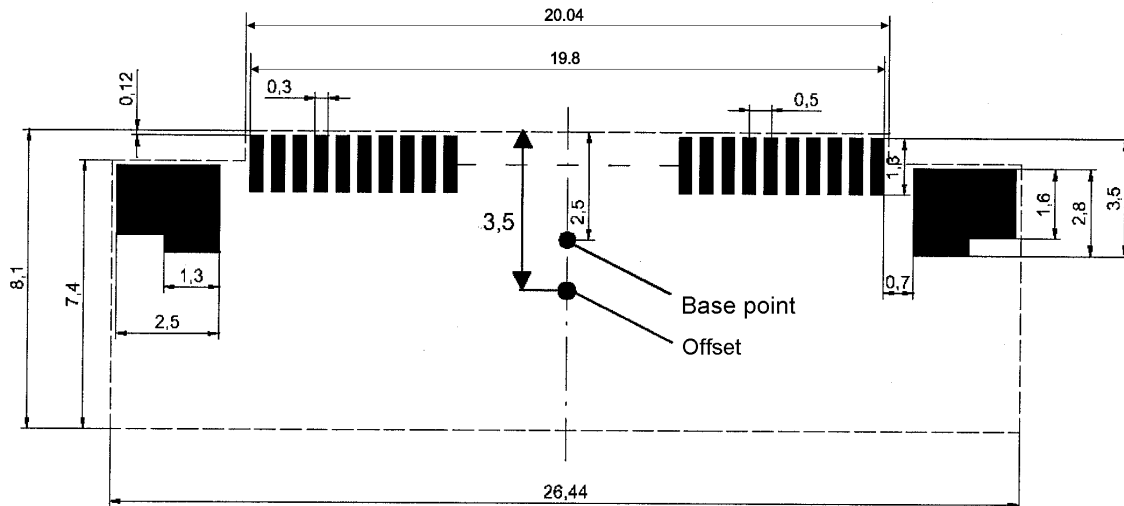


Figure 34: PCB ZIF connector

5.5 Antenna design

As stated earlier, TC35 and TC37 are distinguished by the various options of connecting the antenna. This chapter provides technical specifications and ordering information for each solution.

Note: *Be sure that all peripherals are applied according to the manufacturer's antenna specifications. For internal antenna equipment you are advised to use the services of a consultant or full-service house.*

A 27nH inductor to ground provides additional ESD protection for the antenna connector. To protect the inductor from damage no DC voltage must be applied to the antenna circuit.

5.5.1 GSC antenna connector on TC35

TC35 uses a GSC connector to establish the RF connection to the host application. Below please find brief ordering information to help you retrieve further details from the manufacturer MuRata, e.g. under <http://www.murata.com>.

Description	MuRata part number
Male connector mounted on TC35	MM9329-2700
Matching female connectors suited for individual cable assembly <ul style="list-style-type: none"> • Right-angle flexible cable • Right-angle flexible cable • Right-angle semirigid cable 	MXTK88xxxx MXTK92xxxx MXTK91xxxx
Engagement/disengagement tool type P/N M22001	Please use product name for your order: P/N M22001

The physical dimensions and maximum mechanical stress limits can be gathered from the table and the figures below. To securely fasten or remove the antenna cable MuRata recommends to use the P/N M22001 engagement/disengagement tool.

Table 23: Ratings and characteristics of the GSC antenna connector

Item	Specification
Frequency range	DC to 6GHz
VSWR	1.2 max. (DC to 3 GHz), 1.3 max. 3GHz to 6GHz)
Nominal impedance	50Ω
Temperature range	-40°C to +90°C
Contact resistance	15mΩ max.
Withstanding voltage	AC300V
Insulation resistance	500MΩ min.

Item	Specification	
Material and finish	Material:	Finish:
<ul style="list-style-type: none"> Center contact: Outer contact: Insulator: 	Copper alloy Copper alloy Engineering plastic	Gold plated Silver plated None

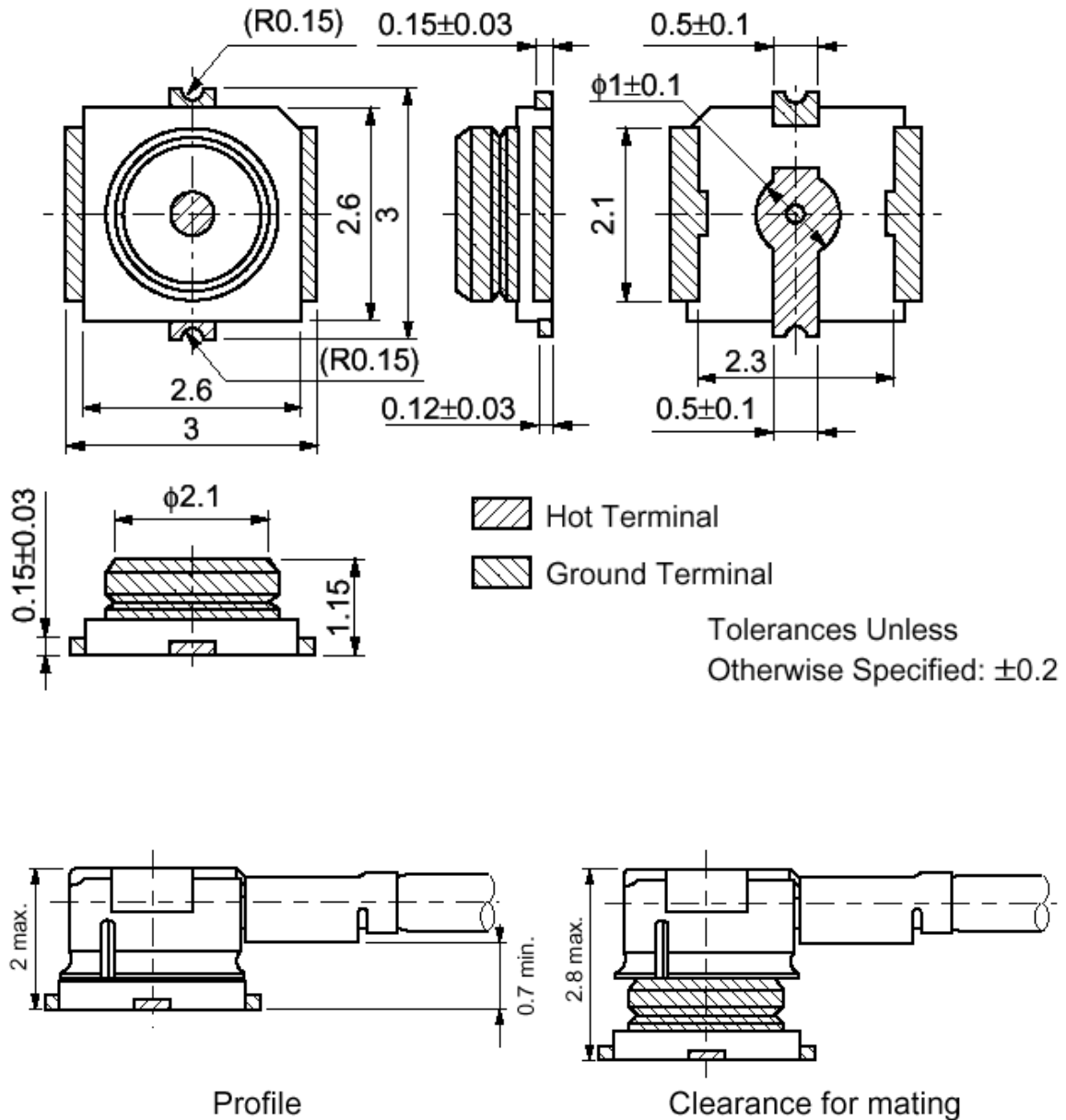


Figure 35: Mechanical dimensions of MuRata GSC connector (in mm)

Table 24: Stress characteristics of the GSC antenna connector

Parameter	Specification
Connector durability	100 cycles of mating and withdrawal with a jig at 12 cycles/minute maximum
Engage force	30N max
Disengage force	3N min, 30N max
Angle of engagement	15 degree max
Mechanical stress to connector	See Figure 36 for details
<ul style="list-style-type: none"> Stress to the housing: Stress to outer sleeve: Cable pull strength: 	A and B: 4.9N max. C: 2.94N max and D: 1.96N max E: 4.9N max

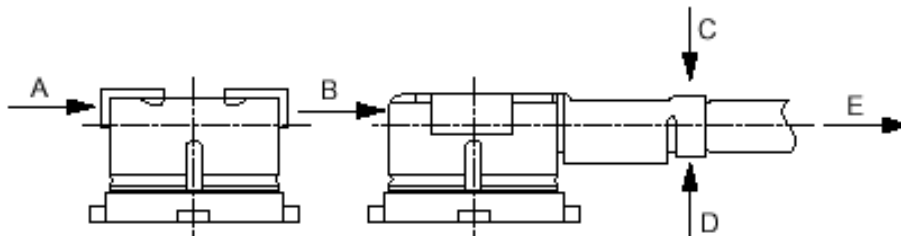


Figure 36: Maximum mechanical stress to the connector

The following figure illustrates the engagement/disengagement tool type P/N M22001 recommended by MuRata and provides instructions for proper use.

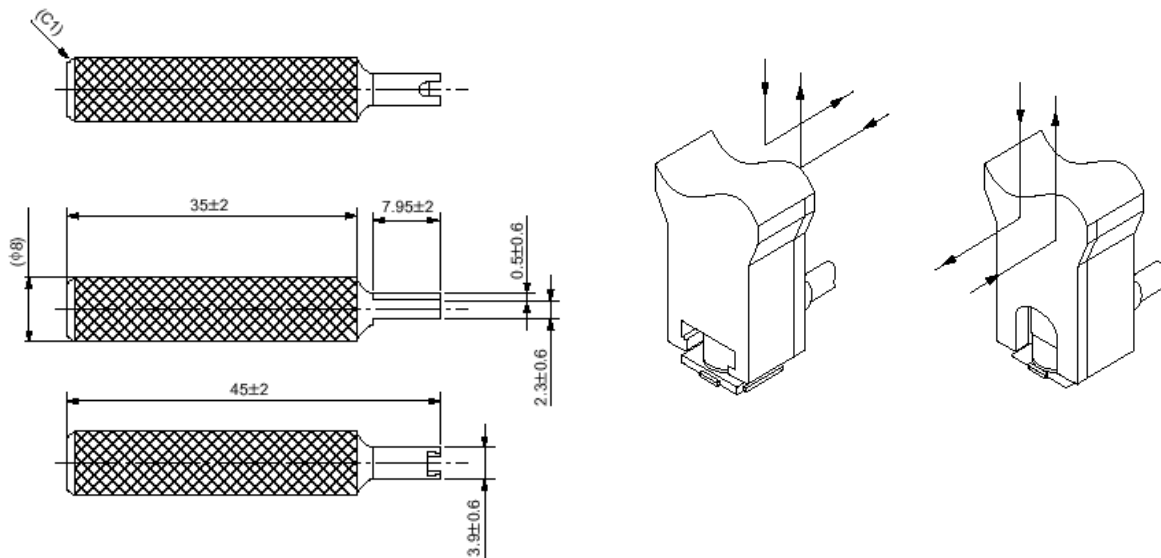


Figure 37: How to use MuRata tool

5.5.2 Using antenna equipment from other manufacturers

For your product to meet individual design or technical requirements, you may decide to choose antenna equipment from suppliers other than MuRata.

When selecting a suitable antenna your considerations should also include the requirements of electromechanical valence. To achieve best performance it is essential to minimize the valence potential delta levels of dissimilar metal mating surfaces. Therefore the material of the antenna cable plug must be compatible with the material of the GSC receptacle on the GSM engine, i.e. it should belong to the same group in the electromechanical series. The material of the GSC connector on TC35 is specified in Table 23.

5.5.3 Antenna pad and coaxicon connector on TC37

TC37 comes with a gold plate antenna pad and a coaxicon switching connector. Both options can be used alternatively as described in Chapter 4.3.

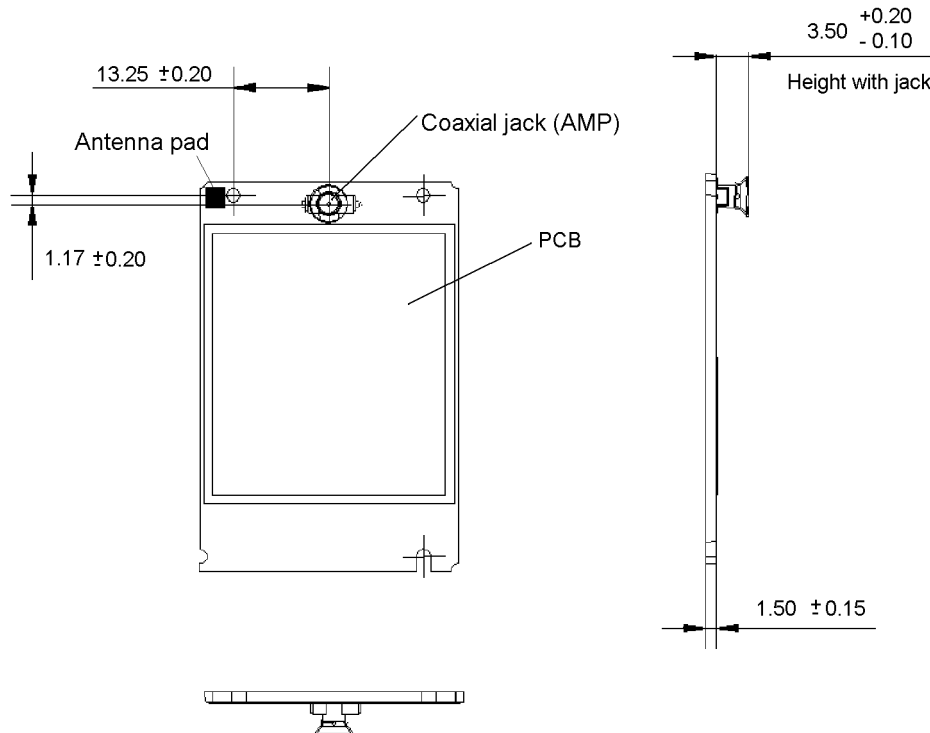


Figure 38: Dimensions and position of coaxicon connector and antenna pad on TC37

Coaxicon switching connector

The coaxicon switching connector used on TC37 is made by AMP. Figure 27 and Figure 38 show the physical dimensions of the connector and its position on the TC37 board.

Appropriate accessories, such as cables, cable plugs and a special crimping tool can be obtained from Tyco Electronics. To give you a first idea, AMP assembly drawings are included in the Appendix. Up-to-date specifications are posted on the website of AMP Tyco Electronics, e.g. under <http://www.amp.com/>. To select matching equipment use the following ordering information:

Table 25: Ordering information for antenna equipment from AMP Tyco Electronics

AMP Tyco product name	AMP Tyco part number
COAXICON* Series Mobile Phone, Front Contact Cable Plug	619028-1

Antenna pad

The position and dimensions of the antenna pad can be gathered from Figure 27 and Figure 38. To fasten the antenna it is recommended to use gold plated contact springs. Soldering must be strictly avoided to prevent damage from the pad. Keep the contact surface clean.

6 Electrical, temperature and radio characteristics

6.1 Absolute maximum ratings

Absolute maximum ratings for supply voltage and voltages on digital and analog pins of TC35 and TC37 are listed in Table 26. Exceeding these values will cause permanent damage to the GSM Engine. The supply current must be limited accordingly. The safety status of the power supply is subject to SELV (as defined by EN60950)

Table 26: Absolute maximum ratings

Parameter	Min	Max	Unit
Peak current of power supply	0	4.0	A
RMS current of power supply (during one TDMA-frame)	0	0.5	A
Voltage on digital pins *)	-0.3	3.3	V
Voltage on analog pins *)	-0.3	3.0	V

*)Valid only in IDLE and TALK mode, if in Power Down mode absolute maximum ratings are ± 0.25 V.

6.2 Operating conditions

Table 27: Operating conditions

Parameter	Min	Typ	Max	Unit
Ambient temperature	-20	25	55	°C
Supply voltage V_{BATT+}	3.3	4.2	5.5	V

6.3 Temperature conditions

Test conditions were specified in accordance with IEC 60068-2 (still air).

Table 28: Temperature conditions

Parameter	Min	Typ	Max	Unit
Ambient temperature (regarding GSM 11.10)	-20	25	55	°C
Restricted operation *)	-25 to -20		55 to 70	°C
Automatic shutdown: if application is not battery powered if application is battery powered	-25		$\geq 70^{**})$	°C
	-15		$\geq 60^{**})$	°C
Storage temperature	-40		+85	°C
Charging temperature (software controlled fast charging)	0		+45	°C

*) GSM engine is operational, but deviations from the GSM specification may occur.

***) Limited performance if $V_{BATT+ \max} \leq 4.0V$ and PCL5 is required at $T_{amb \max} = 70^\circ$

6.4 Power supply ratings

Table 29: Power supply ratings

Parameter	Description	Conditions	Min	Typ	Max	Unit
$V_{\text{BATT+}}$	Supply voltage	Reference point on VBATT+ contact pad Voltage must stay within the min/max values, including voltage drop, ripple, spikes.	3.3	4.2	5.5	V
	Voltage drop during transmit burst	Normal condition, power control level for $P_{\text{out max}}$			400	mV
	Voltage ripple	Normal condition, power control level for $P_{\text{out max}}$ @ $f < 200\text{kHz}$ @ $f > 200\text{kHz}$			50 2	mV
$I_{\text{BATT+}}$	Average supply current	Power Down mode		50	100	μA
		SLEEP mode		3	3.5	mA
		IDLE mode GSM		10	20	mA
		TALK mode GSM		300	400	mA
	Peak supply current (during $577\mu\text{s}$ transmission slot every 4.6ms)	Power control level for $P_{\text{out max}}$ I_{max}		See Table 32 and Table 33		A
I_{CHARGE}	Charging current	Li-Ion battery pack			500	mA
	Trickle charging	$U_{\text{battery}} 0 \dots 3.6\text{V}$			9.0	mA

6.4.1 Drop definition

Due to peak currents of $I = 2\text{ A}$, a GSM transmission burst may cause considerable voltage drop. Further losses may result from the internal resistance of the external power supply lines. As specified above, the supply voltage $V_{\text{BATT+}}$ must not fall below 3.3 V at any time, while the voltage drop must not exceed 400 mV.

In order to minimize voltage drop during transmission bursts, use an FFC cable as short as possible and apply a low-impedance power supply.

6.4.2 Current consumption during transmit burst

The diagrams in Figure 39 through Figure 40 illustrate the peak current consumption of the application caused during a transmit burst. The peak current is shown vs. the power level for GSM900/1800 and vs. the return loss of the antenna. All measurements have been performed at 25°C and 4.2V (reference points used on module: test points on ZIF connector). Changing the conditions, e.g. in terms of temperature or voltage, will cause different results. The current will be maximized when the maximum supply voltage is used together with a total reflection at the RF interface. Using a supply voltage higher than 4.3V at PCL5 GSM 900 lets the peak current rise by about 150mA, due to higher RF output power.

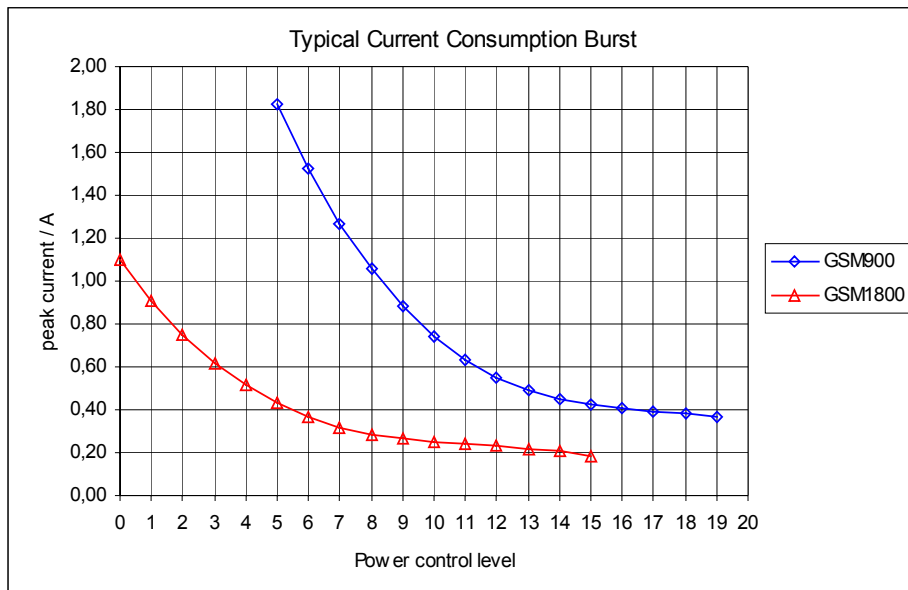


Figure 39: Typical current (peak) vs power control level

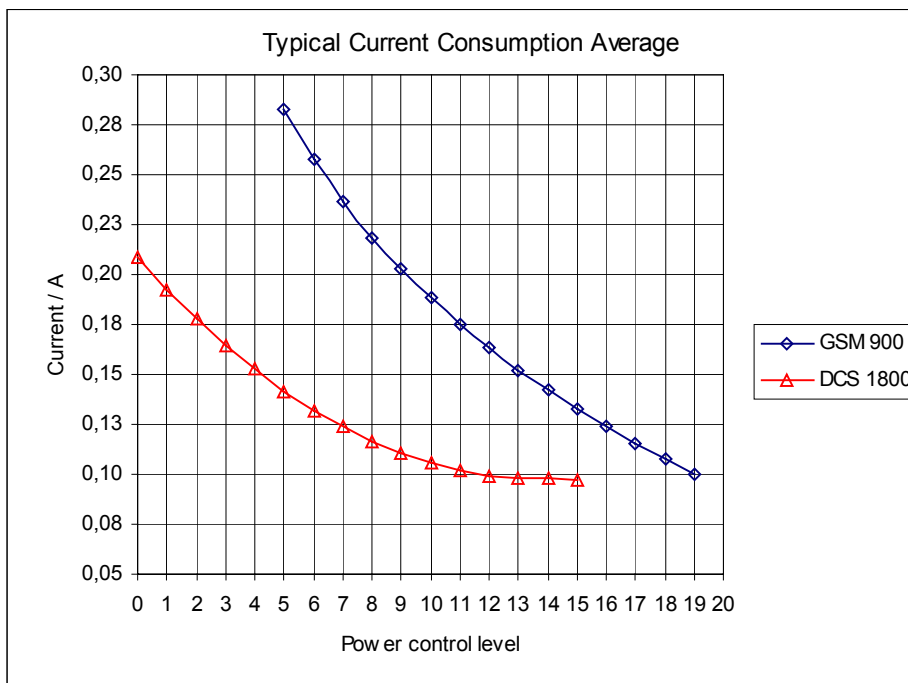


Figure 40: Typical current (average) vs power control level

Table 30: Power control levels GSM 900, power class 4

Power control level	Transmitter output power	Tolerances according to GSM 05.05	
	dBm	normal	extreme
5	33	+/- 2dB	+/-2,5dB
6	31	+/- 3dB	+/-4dB
7	29	+/- 3dB	+/-4dB
8	27	+/- 3dB	+/-4dB
9	25	+/- 3dB	+/-4dB
10	23	+/- 3dB	+/-4dB
11	21	+/- 3dB	+/-4dB
12	29	+/- 3dB	+/-4dB
13	17	+/- 3dB	+/-4dB
14	15	+/- 3dB	+/-4dB
15	13	+/- 3dB	+/-4dB
16	11	+/- 5dB	+/- 6dB
17	9	+/- 5dB	+/- 6dB
18	7	+/- 5dB	+/- 6dB
19	5	+/- 5dB	+/- 6dB

Table 31: Power control levels DCS 1800, power class 1

Power control level	Transmitter output power	Tolerances according to GSM 05.05	
	dBm	normal	extreme
0	30	+/- 2dB	+/-2,5dB
1	28	+/- 3dB	+/-4dB
2	26	+/- 3dB	+/-4dB
3	24	+/- 3dB	+/-4dB
4	22	+/- 3dB	+/-4dB
5	20	+/- 3dB	+/-4dB
6	18	+/- 3dB	+/-4dB
7	16	+/- 3dB	+/-4dB
8	14	+/- 3dB	+/-4dB
9	12	+/- 4dB	+/-5dB
10	10	+/- 4dB	+/-5dB
11	8	+/- 4dB	+/- 5dB
12	6	+/- 4dB	+/- 5dB
13	4	+/- 4dB	+/- 5dB
14	2	+/- 5dB	+/- 6dB
15	0	+/- 5dB	+/- 6dB

The figures below show the typical peak current in dependency of load mismatch during a transmit burst with the power control level for maximum RF power. To achieve optimum performance the return loss of the customer application should be better than 10dB.

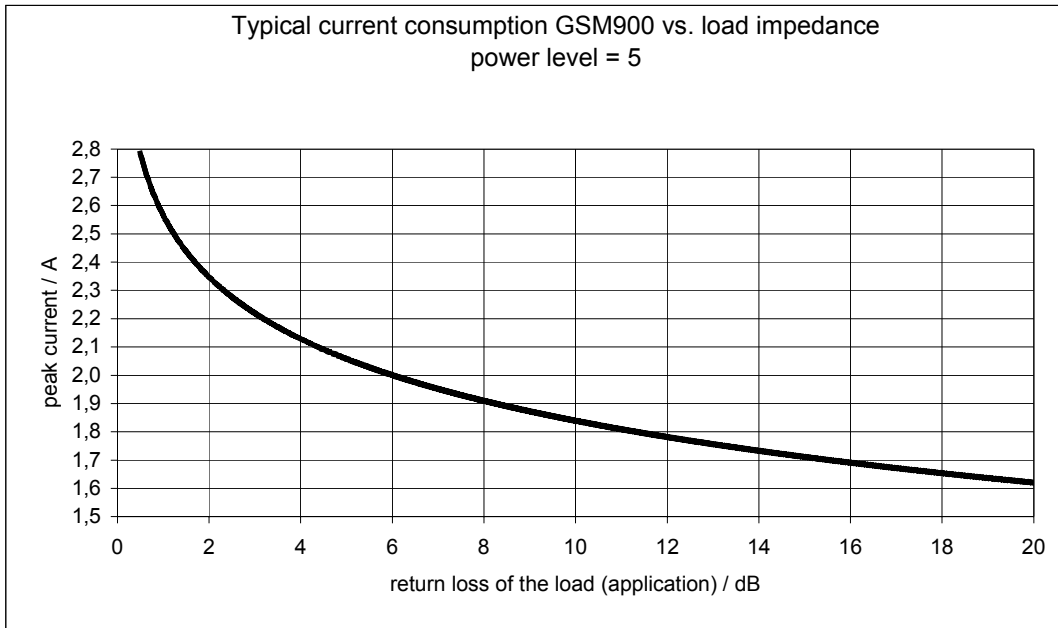


Figure 41: Typical current consumption for GSM 900, power level = 5

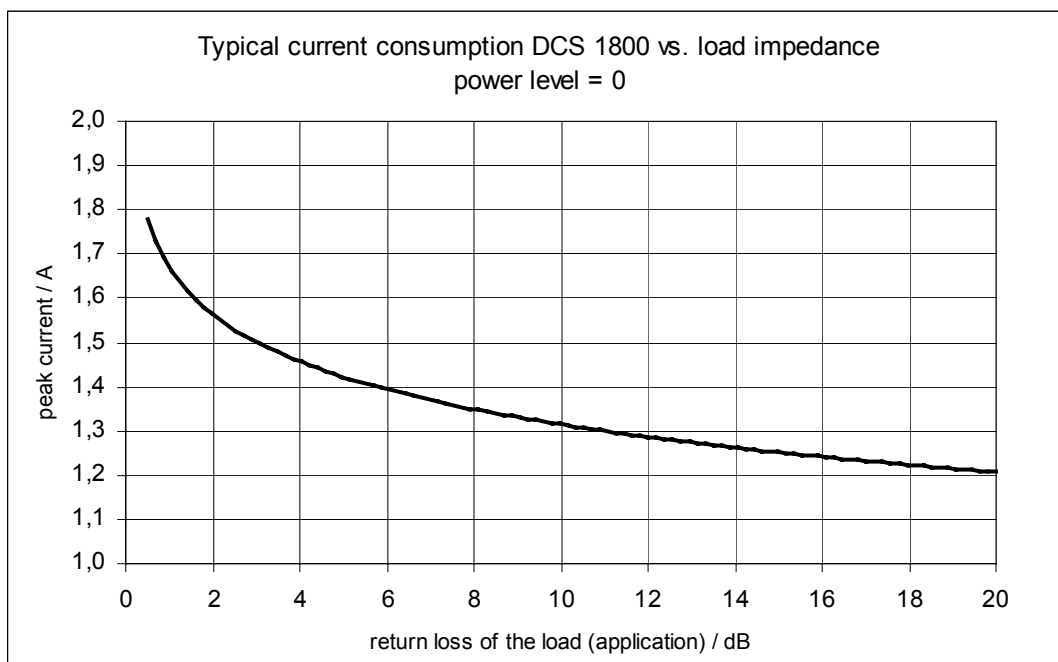


Figure 42: Typical current consumption for DCS1800, power level = 0

The values for current and return loss listed below refer to Figure 41 and Figure 42.

Table 32: GSM 900, power level 5

Typ	Return loss	VSWR (approx.)
1600 mA	20 dB	1.20
1800 mA	11 dB	1.75
2000 mA	6 dB ^{*)}	3.00
2300 mA	2.5 dB ^{**))}	9.00

Table 33: GSM 1800, power level 0

Typ	Return loss	VSWR (approx.)
1200 mA	20 dB	1.20
1300 mA	11 dB	1.75
1400 mA	6 dB ^{*)}	3.00
1500 mA	2.5 dB ^{**))}	9.00

The typical value of a dual band antenna is in the range of VSWR < 2.

^{*)} mismatched antenna e.g. caused by bad dielectric or a mistuned antenna

^{**))} for example due to short circuit at the GSC connector or broken (destroyed) antenna

6.5.2 Characteristics of audio modes

The electrical characteristics of the voiceband part depend on the current audio mode set with the AT[^]SNFS command.

Table 35: Voiceband characteristics (typical), all values preliminary

Audio mode no. AT [^] SNFS=	1 (Default settings, not adjustable)	2	3	4	5	6
Name	Default Handset	Basic Handsfree	Headset	User Handset	Plain Codec 1	Plain Codec 2
Purpose	DSB with M20T handset	Siemens Car Kit Portable	Siemens Headset	DSB with individual handset	Direct access to speech coder	Direct access to speech coder
Gain setting via AT command. Defaults:	Fix	Adjustable	Adjustable	Adjustable	Adjustable	Adjustable
inBbcGain	5 (30dB)	1 (6dB)	4 (24dB)	5 (30dB)	0 (0dB)	0 (0dB)
outBbcGain	1 (-6dB)	1 (-6dB)	2 (-12dB)	1 (-6dB)	0 (0dB)	0 (0dB)
MICPn/MICNn EPPn/EPNn	n=1	n=2	n=2	n=1	n=1	n=2
Power supply	ON	ON	ON	ON	OFF	OFF
Sidetone	ON	---	Adjustable	Adjustable	Adjustable	Adjustable
Volume control	OFF	Adjustable	Adjustable	Adjustable	Adjustable	Adjustable
Limiter (receive)	ON	ON	ON	ON	---	---
Compressor (receive)	---	ON ¹⁾	---	---	---	---
AGC (send)	OFF	---	ON	---	---	---
Echo control (send)	Suppression	Cancellation + suppression	NO	Suppression	---	---
Noise suppression ²⁾	---	up to 10dB	10dB	---	---	---
MIC input signal for 0dBm0 @ 1024 Hz (default gain)	12.5mV	98mV	11mV @ -3dBm0 due to AGC	12.5mV	315mV	315mV
EP output signal in mV rms. @ 0dBm0, 1024 Hz, no load (default gain); @ 3.14 dBm0	275mV	120 mV default @ max volume	270mV default @ max volume	275 mV default @ max volume	880mV 3.7 Vpp	880mV 3.7 Vpp
Sidetone gain at default settings	27.7dB	-∞ dB	Affected by AGC, 9.3dB @ 11mV (MIC)	27.7 dB	-2.7dB @ sideTone = 8192 ³⁾	-2.7dB @ sideTone = 8192 ³⁾

¹⁾ Adaptive, receive volume increases with higher ambient noise level.

²⁾ In audio modes with noise reduction, the microphone input signal for 0dBm0 shall be measured with a sine burst signal for a tone duration of 5 seconds and a pause of 2 sec. The sine signal appears as noise and, after approx. 12 sec, is attenuated by the noise reduction by up to 10dB.

³⁾ See AT[^]SNFO command in /1/.

Note: With regard to acoustic shock, the cellular application must be designed to avoid sending false AT commands that might increase amplification, e.g. for a high sensitive earpiece. A protection circuit should be implemented in the cellular application.

6.5.3 Voiceband receive path

The values specified below were tested to 1kHz and 0dB gain stage, unless otherwise stated.

gs = 0dB means audio mode = 5 for EPP1 to EPN1 and 6 for EPP2 to EPN2, inBbcGain= 0, inCalibrate = 32767, outBbcGain = 0, OutCalibrate = 16384, sideTone = 0.

Table 36: Voiceband receive path

Parameter	Min	Typ	Max	Unit	Test condition / remark
Differential output voltage (peak to peak)	3.33	3.7	4.07	V	from EPPx to EPNx gs = 0dB @ 3.14 dBm0
Differential output gain settings (gs) at 6dB stages (outBbcGain)	-18		0	dB	
fine scaling by DSP (outCalibrate)	-∞		0	dB	
Output differential DC offset			100	mV	gs = 0dB, outBbcGain = 0 and -6dB
Differential output resistance	13	15		Ω	from EPPx to EPNx
Absolute gain accuracy			0.8	dB	Variation due to change in VDD, temperature and life time
Attenuation distortion			1	dB	for 300...3900Hz, @ EPPx/EPNx (333Hz) / @ EPPx/EPNx (3.66kHz)
Out-of-band discrimination	60			dB	for $f > 4$ kHz with in-band test signal @ 1kHz and 1kHz RBW

gs = gain setting

6.5.4 Voiceband transmit path

The values specified below were tested to 1kHz and 0dB gain stage, unless otherwise stated.

Audio mode = 5 for MICP1 to MICN1 and 6 for MICP2 to MICN2, inBbcGain= 0, inCalibrate = 32767, outBbcGain = 0, OutCalibrate = 16384, sideTone = 0

Table 37: Voiceband transmit path

Parameter	Min	Typ	Max	Unit	Test condition/Remark
Input voltage (peak to peak) MICP1 to MICN1, MICP2 to MICN2			1.03	V	
Input amplifier gain in 6dB steps (inBbcGain)	0		42	dB	
fine scaling by DSP (inCalibrate)	$-\infty$		0	dB	
Input impedance		2.0		k Ω	
Microphone supply voltage ON Ri = 4k Ω	2.57 2.17 1.77	2.65 2.25 1.85	2.73 2.33 1.93	V	no supply current @ 100 μ A @ 200 μ A
Microphone supply voltage OFF ; Ri = 4k Ω		0		V	
Microphone supply in power down mode					see Figure 44

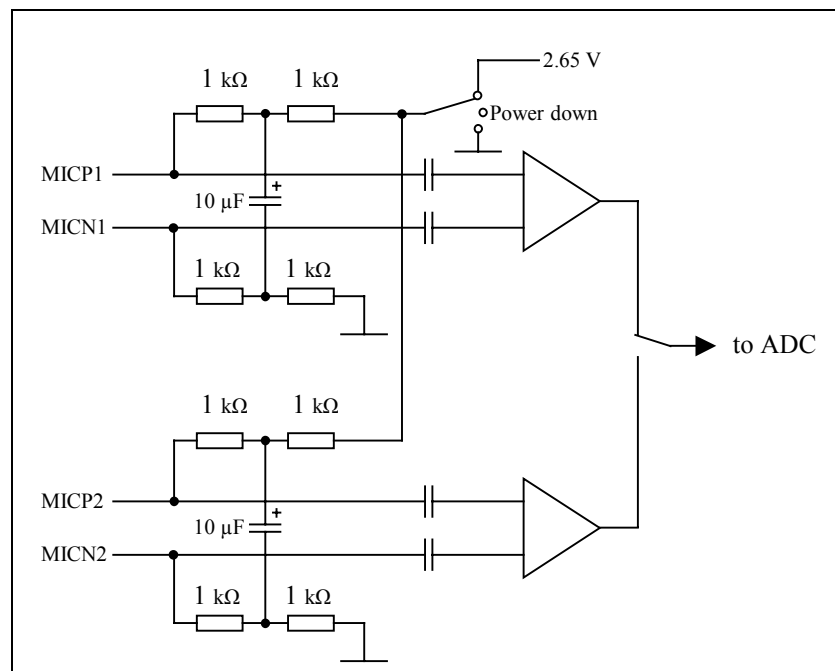


Figure 44: Structure of audio inputs

6.6 Air interface

Table 38: Air Interface

Parameter		Min	Typ	Max	Unit
Frequency range Uplink (MS → BTS)	E-GSM 900	880		915	MHz
	GSM 1800	1710		1785	MHz
Frequency range Downlink (BTS → MS)	E-GSM 900	925		960	MHz
	GSM 1800	1805		1880	MHz
RF power @ ARP with 50Ω load	E-GSM 900	31	33		dBm
	GSM 1800	28	30		dBm
Number of carriers	E-GSM 900		174		
	GSM 1800		374		
Duplex spacing	E-GSM 900		45		MHz
	GSM 1800		95		MHz
Carrier spacing			200		kHz
Multiplex, Duplex	TDMA / FDMA, FDD				
Time slots per TDMA frame			8		
Frame duration			4.615		ms
Time slot duration			577		μs
Modulation	GMSK				
Receiver input sensitivity @ ARP BER Class II < 2.4%	E-GSM 900	- 104	-105		dBm
	GSM 1800	- 102	-105		dBm

6.7 Electrostatic discharge

The GSM engine is not protected against Electrostatic Discharge (ESD) in general. Consequently, it is subject to ESD handling precautions that typically apply to ESD sensitive components. Proper ESD handling and packaging procedures must be applied throughout the processing, handling and operation of any application that incorporates a TC35 or TC37 module.

Despite of this, the antenna port, the SIM interface, the ACCU_TEMP port, the POWER port and the Battery lines are equipped with spark gaps and clamp diodes to protect these lines from overvoltage. For all the other ports, ESD protection must be implemented on the application platform that incorporates the GSM engine.

TC35 and TC37 have been tested and found to comply with the EN 61000-4-2 directive. The measured values verified for the Siemens reference configuration can be gathered from the following table.

Table 39: Measured electrostatic values

Pin No.	Signal name	Indirect discharge (environment)	Direct discharge (air discharge to TC35/TC37)
1 - 5	VBATT+	>4kV	8kV
6 - 10	GND	>4kV	8kV
11 - 12	POWER	>4kV	8kV
13	VDD	>4kV	1kV
14	ACCU_TEMP	>4kV	8kV
15	/IGT	>4kV	1kV
16 - 23	RS-232 signals	>4kV	1kV
24 - 29	SIM signals	>4kV	8kV
30	VDDL	>4kV	1kV
31	/PD	>4kV	1kV
32	SYNC	>4kV	1kV
33 - 40	Audio	>4kV	1kV
Antenna	RF GND	>4kV	8kV

Please note that the values may vary with the individual application design. For example, it matters whether or not the application platform is grounded over external devices like a computer or other equipment, such as the Siemens reference application described in Chapter 8.

7 Updating Firmware

The TC35 firmware is stored in a Flash memory. This gives you the flexibility to easily upgrade to the latest firmware releases. The firmware is supplied as a Windows executable that can be downloaded onto the GSM engine using the serial interface of its ZIF connector or the SIM interface.

To meet the requirements of various application platforms there are a number of ways to perform the update. This chapter summarizes the options currently available. For detailed information, step-by-step instructions and possibly implied modifications to the hardware design please refer to the "Firmware Updating User's Guide", **13/**.

Updating the firmware over the serial interface

- The download procedure uses the TXD0, RXD0 and IGT lines of the ZIF connector and the TXD, RXD and DTR lines of the host application (MMI) or the PC's serial port. The approach to set up the serial link depends very much on the individual design of the host application. The "Firmware Updating User's Guide" recommends the following methods:
 1. Download over DSB35 Support Box (evaluation kit).
 2. Download over service interface and service connector with the download being supported by firmware executable.
 3. Download controlled by the processor of the host application (MMI processor).

Updating the firmware over the SIM interface

- This solution is recommended when your GSM application has no direct access to a serial interface. To transfer the software to the device you will need the BB35 Bootbox. It comes with a specific adapter that connects the SIM card reader of your TC35 application to your computer's serial port.

In either case, the firmware executable runs on any computer under Windows 98, Windows NT 4.0, Windows 2000, Windows ME, Windows XP (except for Windows 95 which supports only the serial interface option).

8 Reference Approval

8.1 Reference Equipment

The Siemens TC35 and TC37 GSM engines have been approved for reference configurations that satisfy all the requirements of GSM Phase 2/2+ (CTR 31, CTR 32).

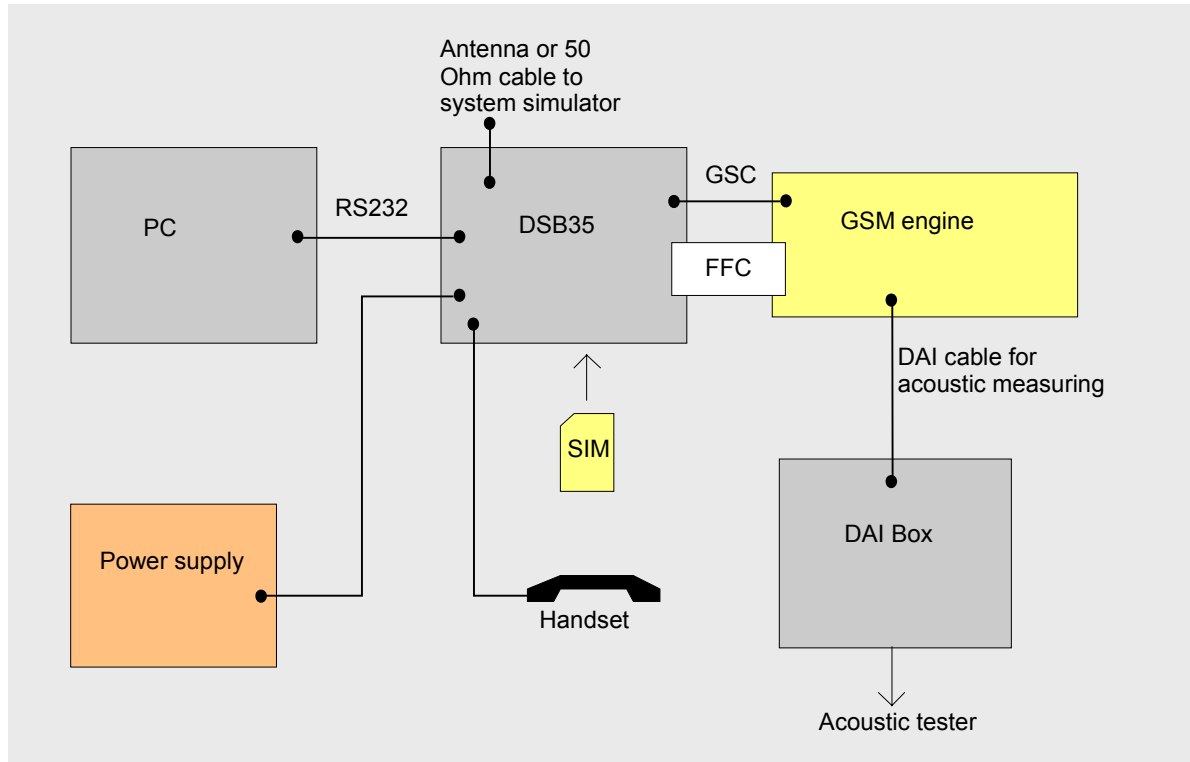


Figure 45: Reference equipment for approval

Referred to as "GSM terminal equipment" the reference configuration consists of the following components:

- Siemens TC35 or TC37 cellular engine
- Development Support Box (DSB)
- SIM card reader integrated on the DSB
- Handset type Votronic HH-SI-30.3/V1.1/0
- PC as MMI

For the Siemens TC35 and TC37, an IMEI number contingent has been reserved for the basic approval of the reference configuration. It will also apply to later approvals of customer configurations incorporating TC35 or TC37.

Approved Siemens TC35 and TC37 configurations are recorded in the approval documentation. Later enhancements and modifications beyond the certified configuration require extra approvals. Each supplementary approval process includes submittal of the technical documentation as well as testing of the changes made. The relevant test applications for supplementary approvals should be agreed upon with Siemens.

8.2 CE Conformity

TC35 and TC37 meet the requirements of EU directives listed below and is labeled with the CE conformity mark.

- R&TTE Directive 1999/5/EG
- LVD 73/23/EEC
- EMC conformity in accordance with Directive 89/336/EEC

8.3 G.C.F. Conformity

TC35 and TC37 have been approved to comply with the quality assurance requirements according to GCF-CCV and CCR, v. 3.4.1

9 APPENDIX: List of parts and accessories

Table 40: List of accessories

Description	Supplier	Ordering information
TC35 engine	Siemens	Siemens ordering number L36880-N8100-A100
TC37 engine	Siemens	Siemens ordering number L36880-N8150-A200
SIM card holder incl. push button ejector and slide-in tray	Molex	Ordering numbers: 91228 91236 Molex Deutschland GmbH Felix-Wankel-Str. 11 D-74078 Heilbronn-Biberach Phone: +49(7066)9555 0 Fax: +49(7066)9555 29 Email: mxgermany@molex.com Web site: http://www.molex.com/ American Headquarters Lisle, Illinois 60532 U.S.A. Phone: 1-800-78MOLEX Fax: 630-969-1352 Far East Headquarters Yamato, Kanagawa, Japan Phone: 81-462-65-2324 Fax: 81-462 Far East Headquarters Jurong, Singapore Phone: 65-268-6868 Fax: 65-265-6044
ZIF connector	AVX	Ordering number: 04 6240 040 003 800
Flat cable for ZIF connector cable 160 mm cable 80 mm	Axon	Ordering numbers: FFC 0.50 A 40 / 0160 K4.0-4.0-08.0-08.0SABB FFC 0.50 A 40 / 0080 K4.0-4.0-08.0-08.0SABB
RF cable GSC-GSC cable 50 mm cable 100 mm	MuRata	Ordering numbers: MXTK 88 TK 0500 MXTK 88 TK 1000
GSC connector	MuRata	MM9329-2700 TB2
P/N M22001 tool (recommended for GSC antenna installation)	MuRata	Please use product name: P/N M22001

Description	Supplier	Ordering information
Coaxicon switching connector (TC37 only)	AMP / Tyco Electronics	619028-1
Battery cell P/N "CGP34506 Panasonic"	Shenzhen XWODA electronic Co., Ltd	To place orders or obtain more information please contact: Mr. Wang Ming Wang Phone: +86 755 7619731 Fax: +86 755 7608078 Email: xwda@xwda.com.cn
Handset	Votronic	HH-SI-30.3/V1.1/0
Siemens Car Kit Portable	Siemens	Siemens ordering number L36880-N3015-A117
DSB35 Support Box	Siemens	Siemens ordering number L36880-N8101-A100-3
BB35 Bootbox	Siemens	Siemens ordering number L36880-N8102-A100-1

9.1 Specifications of AMP switching connector

The following drawings are provided to help you select matching accessories for use with the AMP switching connector on TC37. For more details please visit the AMP Tyco homepage <http://www.amp.com/> or contact your local dealer.

