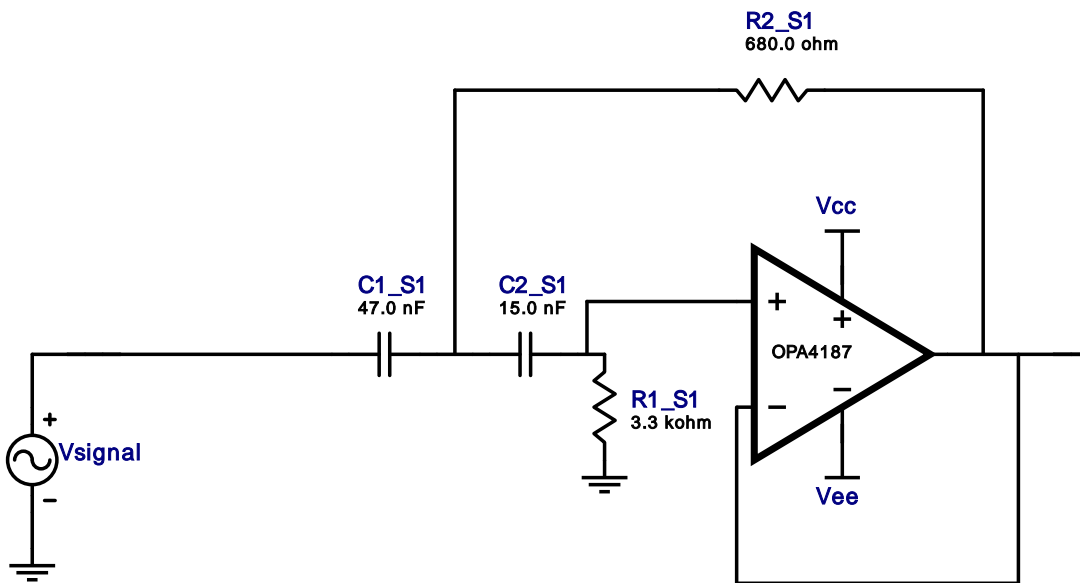


Type : Highpass  
 Response : Chebyshev  
 Order : 2  
 Number of Stages : 1

## Filter Design Report

Design : Highpass Filter - 2nd order Chebyshev  
 Design ID: 3

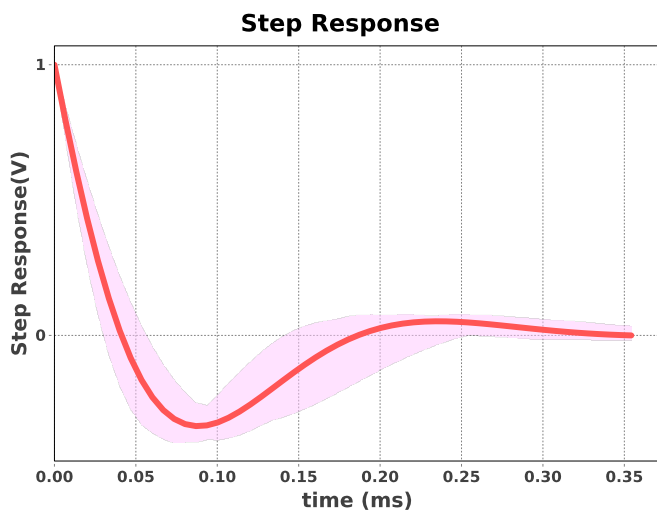
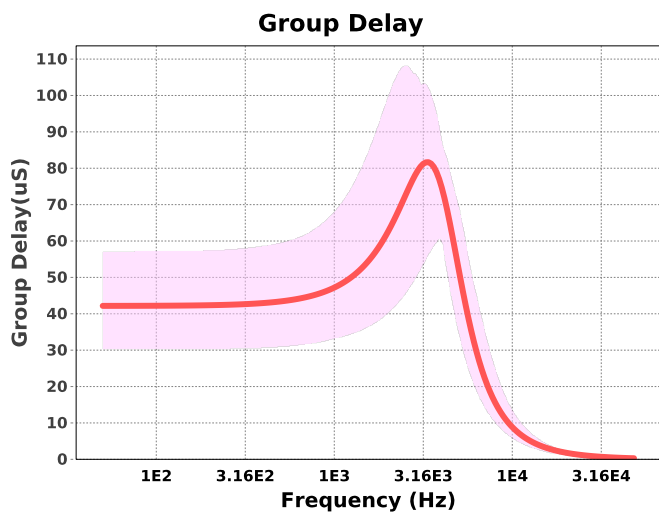
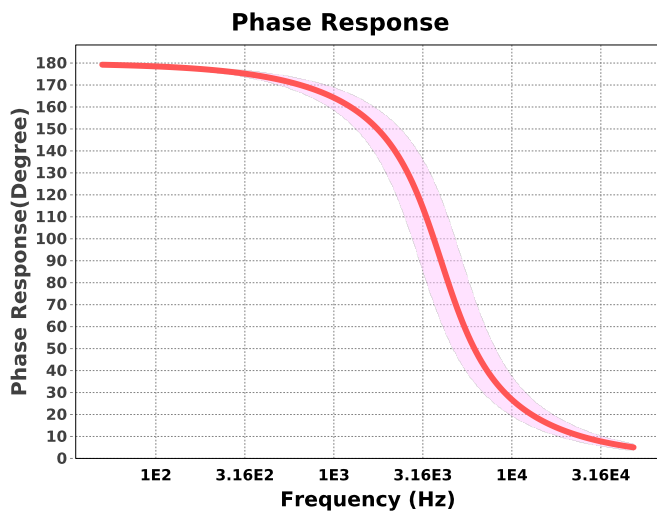
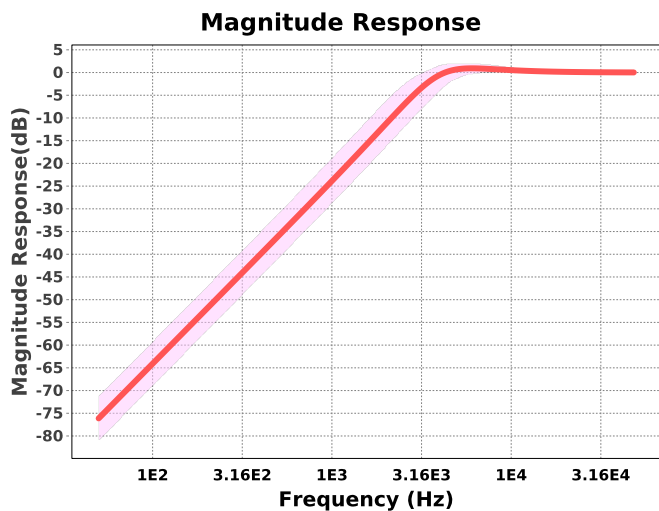


### Electrical BOM

#	Name	Manufacturer	Part Number	Properties	Qty
1.	A1_S1	Texas Instruments Inc.	OPA4187	GbwTyp= 0.55MHz VccMax= 36V VccMin= 4.5V	1
2.	C1_S1	Generic	Ideal	Cap= 47.0 nF Tolerance= 20.0 %	1
3.	C2_S1	Generic	Ideal	Cap= 15.0 nF Tolerance= 20.0 %	1
4.	R1_S1	Generic	Ideal	Res= 3300.0ohm Tolerance= 20%	1
5.	R2_S1	Generic	Ideal	Res= 680.0ohm Tolerance= 20%	1

### Sensitivity Analysis

#	Name	Series	Tolerance
1.	Cap	E6	20%
2.	Res	E6	20%



## Design Inputs

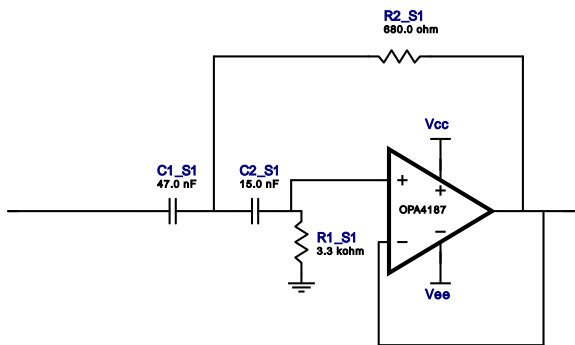
#	Name	Value	Description
1.	FilterType	highpass	
2.	FilterResponse	Chebyshev	
3.	FilterOrder	2.0	
4.	FilterTopology	Sallen-Key	
5.	NumberOfStages	1.0	
6.	PassbandFrequency	5.0 k	
7.	StopbandAttenuation	-39.109	
8.	StopbandFrequency	500.0	
9.	Gain	1.0	
10.	DualSupply	+/-3.00 V	Power supply(s) to active chips
11.	ResistorTolerance	E6	Resistor series - 20% Passive resistor tolerance
12.	CapacitorTolerance	E6	Capacitor series - 20% Passive capacitor tolerance

## Design Assistance

1. **OPA4187** Product Folder : <http://www.ti.com/product/OPA4187> : contains the data sheet and other resources.

# Filter Stage :1

Cutoff Frequency 4.001 kHz  
 Min GBW Req'd 455.488 kHz  
 Stage Gain 1.0 V/V  
 Stage Q 943.421 m  
 Stage Topology Sallen-Key



## Electrical BOM

#	Name	Manufacturer	Part Number	Properties	Qty
1.	A1_S1	Texas Instruments Inc.	OPA4187	GbwTyp= 0.55MHz VccMax= 36V VccMin= 4.5V	1
2.	C1_S1	Generic	Ideal	Cap= 47.0 nF Tolerance= 20.0 %	1
3.	C2_S1	Generic	Ideal	Cap= 15.0 nF Tolerance= 20.0 %	1
4.	R1_S1	Generic	Ideal	Res= 3300.0ohm Tolerance= 20%	1
5.	R2_S1	Generic	Ideal	Res= 680.0ohm Tolerance= 20%	1

**Important Notice and Disclaimer**

TI provides technical and reliability data (including datasheets), design resources (including reference designs), application or other design advice, web tools, safety information, and other resources AS IS and with all faults, and disclaims all warranties. These resources are intended for skilled developers designing with TI products. You are solely responsible for (1) selecting the appropriate TI products for your application, (2) designing, validating and testing your application, and (3) ensuring your application meets applicable standards, and any other safety, security, or other requirements.

These resources are subject to change without notice. TI grants you permission to use these resources only for development of an application that uses the TI products described in the resource. Other reproduction and display of these resources is prohibited. No license is granted to any other TI intellectual property right or to any third party intellectual property right. TI disclaims responsibility for, and you will fully indemnify TI and its representatives against, any claims, damages, costs, losses, and liabilities arising out of your use of these resources.

Providing these resources does not expand or otherwise alter TI's applicable Terms of Sale or other applicable terms available either on ti.com or provided in conjunction with TI products.