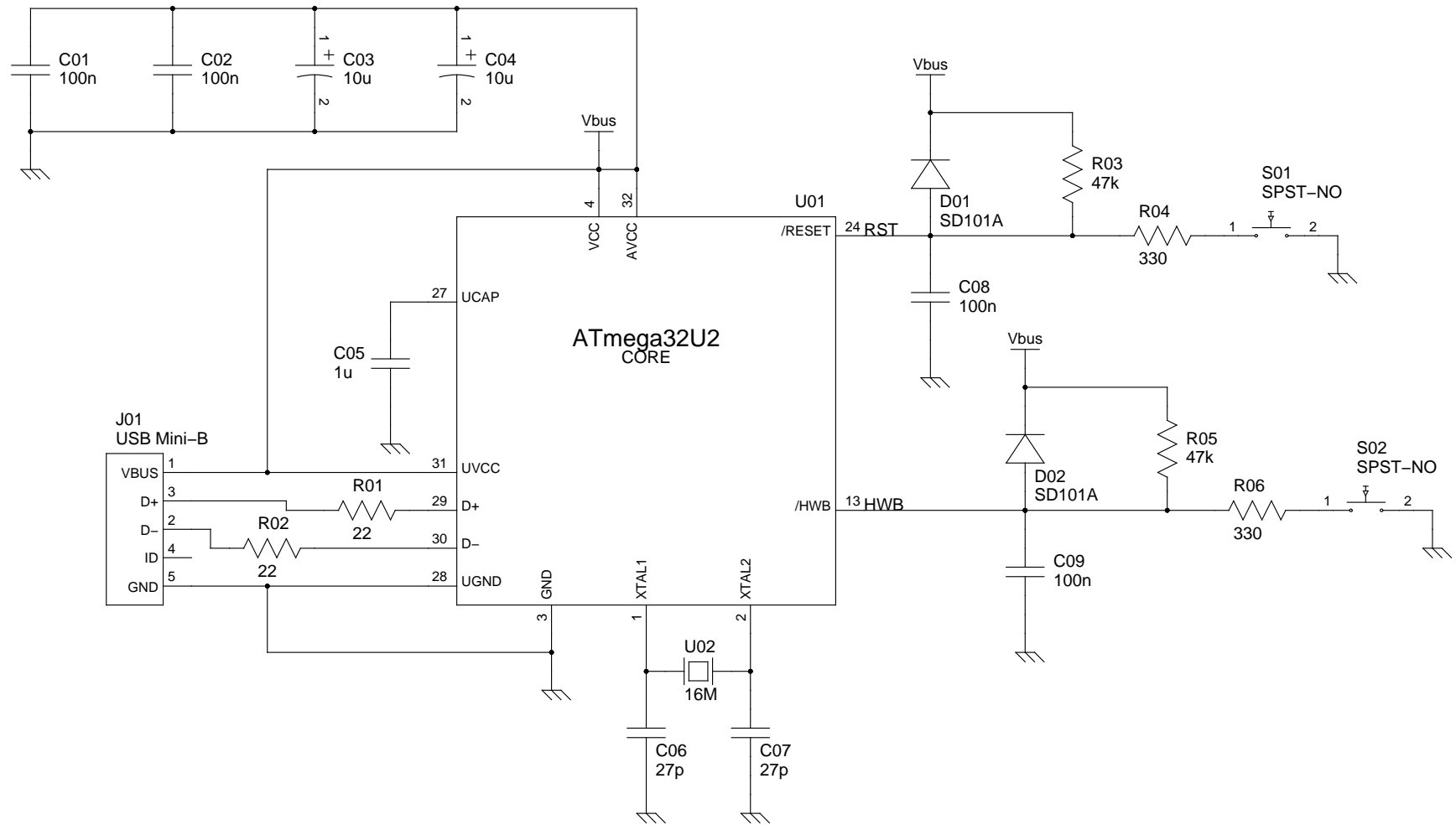


|                               |               |                          |
|-------------------------------|---------------|--------------------------|
| TITLE <b>PPM   Experiment</b> |               |                          |
| FILE: 02-pulprog.sch          | REVISION: 1.2 |                          |
| PAGE 2                        | OF 14         | DRAWN BY: Bradley Worley |



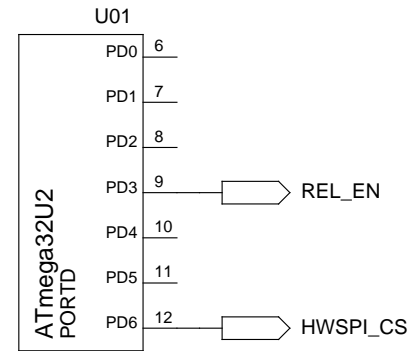
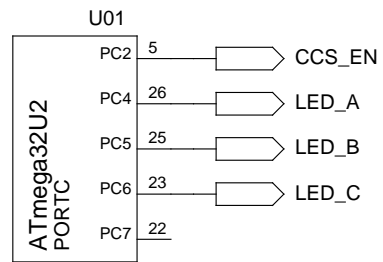
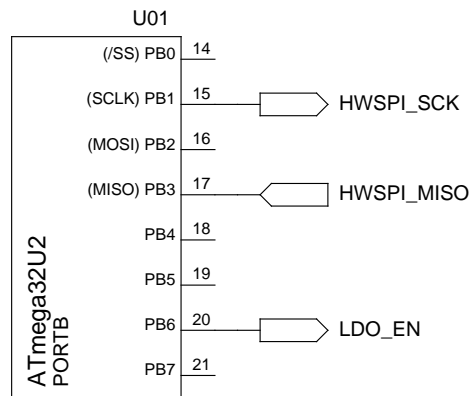
TITLE **PPM | Microcontroller Core**

FILE: 03-mcu-core.sch

REVISION: 1.3

PAGE **3** OF **14**

DRAWN BY: Bradley Worley



TITLE **PPM | Microcontroller I/O Ports**

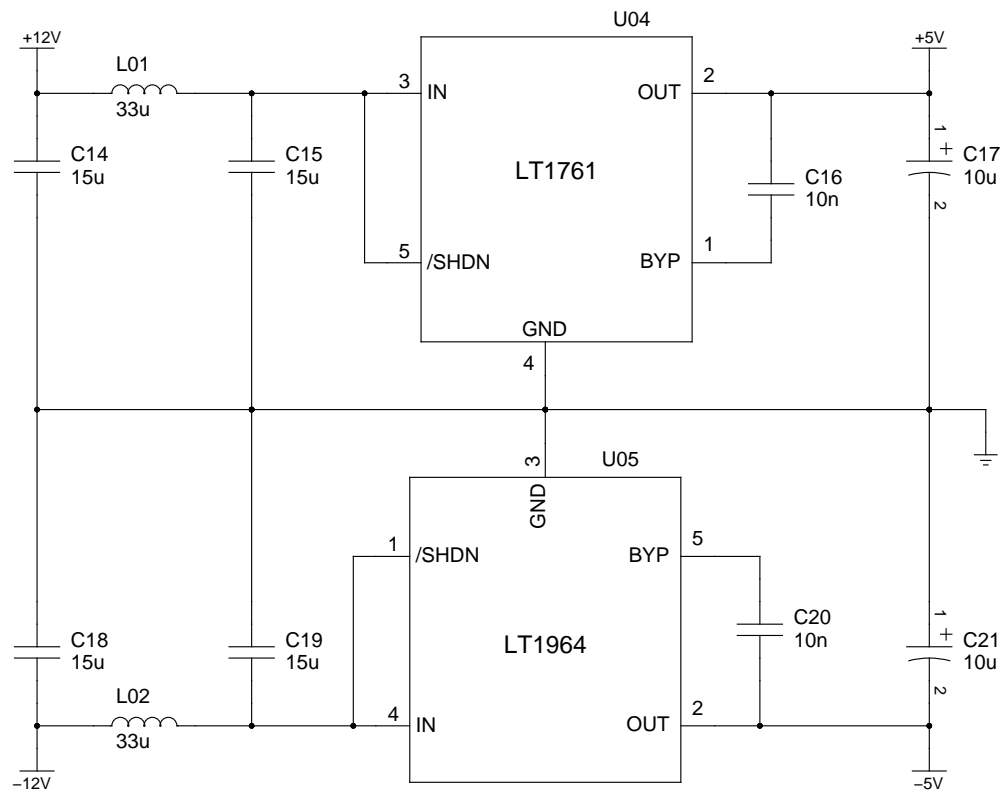
FILE: 04-mcu-ports.sch

REVISION: 1.3

PAGE 4 OF 14

DRAWN BY: Bradley Worley





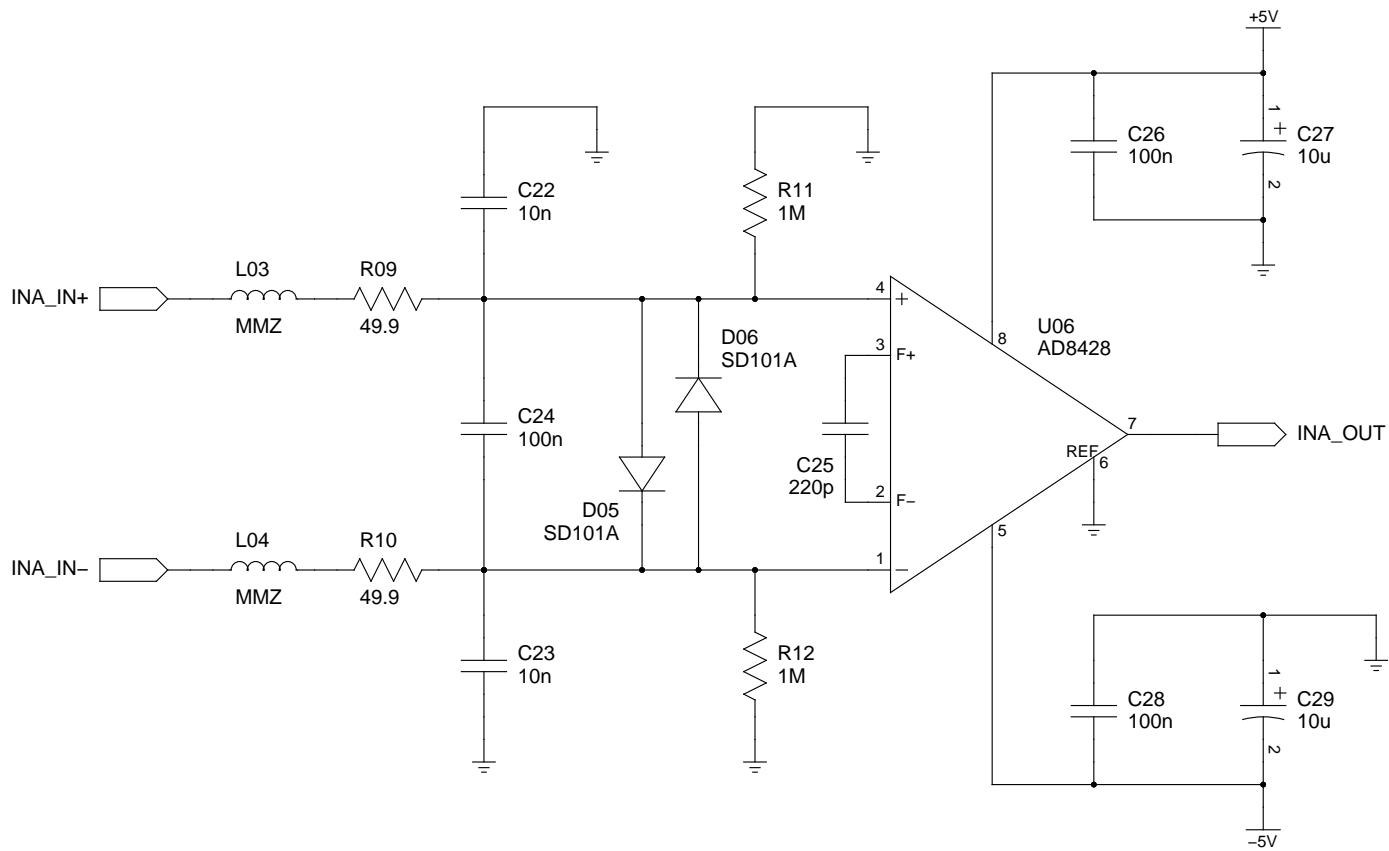
TITLE **PPM | Low-Dropout Regulators**

FILE: 06-ldo.sch

REVISION: 1.0

PAGE **6** OF **14**

DRAWN BY: Bradley Worley



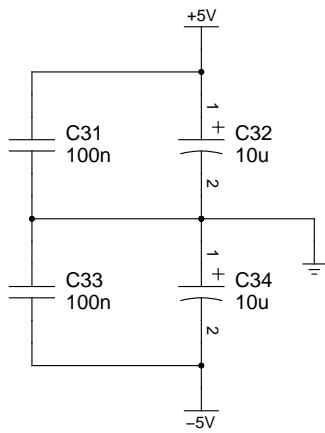
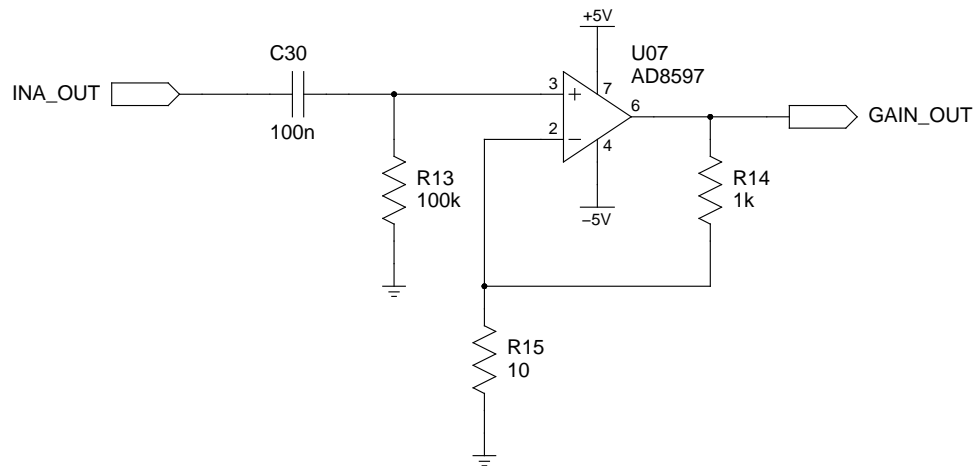
TITLE **PPM | Instrumentation Amplifier**

FILE: 07-asc-ina.sch

REVISION: 1.1

PAGE **7** OF **14**

DRAWN BY: Bradley Worley



TITLE **PPM | Inverting Gain Stage**

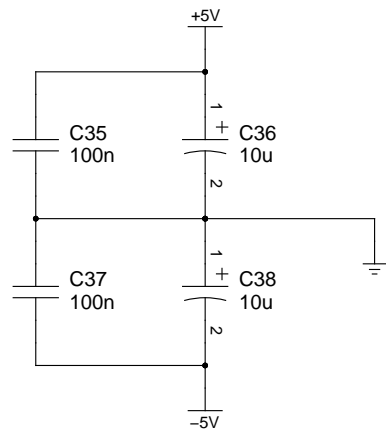
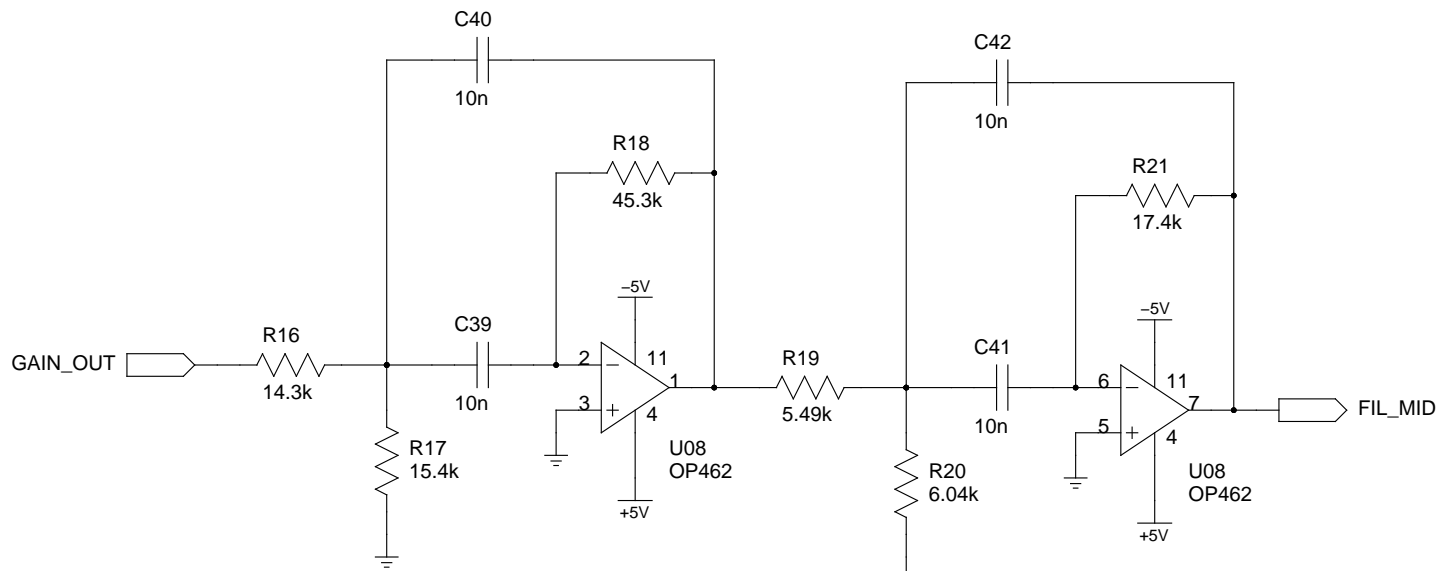
FILE: 08-asc-gain.sch

REVISION: 1.0

PAGE **8** OF **14**

DRAWN BY: Bradley Worley





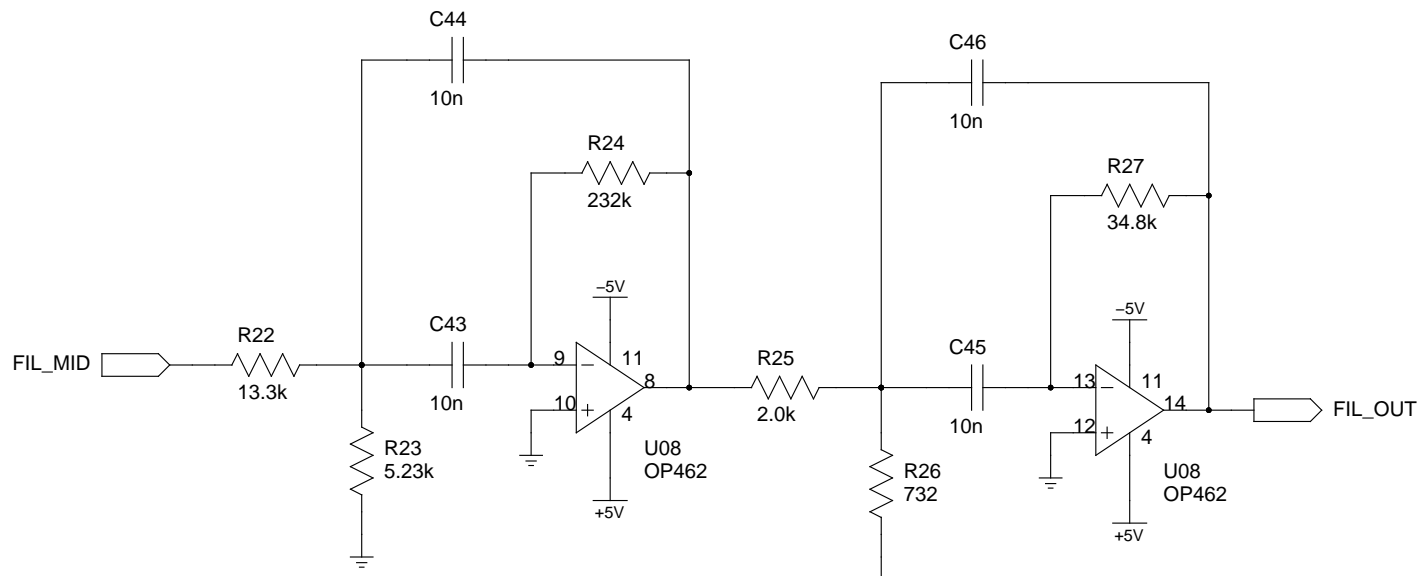
TITLE **PPM | Bandpass Filter 1/2**

FILE: 09-asc-fil-1of2.sch

REVISION: 1.0

PAGE 9 OF 14

DRAWN BY: Bradley Worley



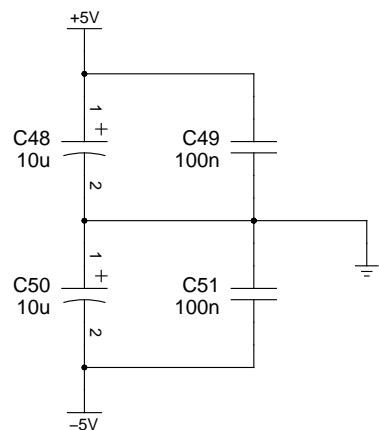
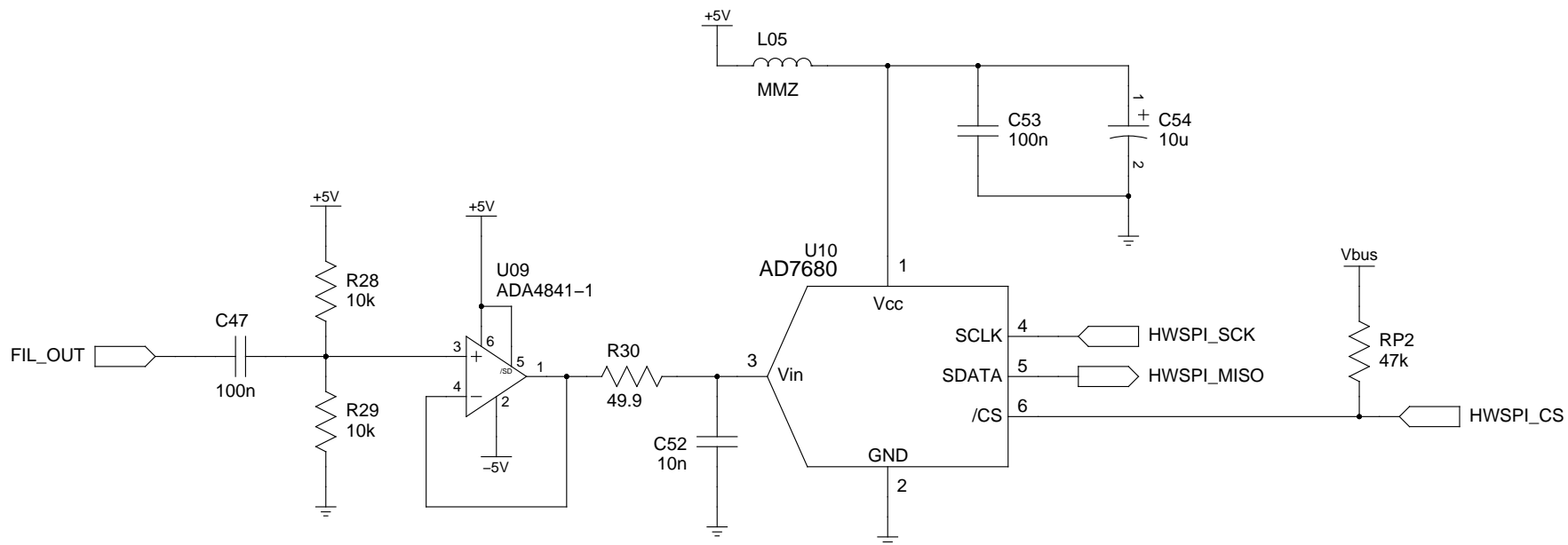
TITLE **PPM | Bandpass Filter 2/2**

FILE: 10-asc-fil-2of2.sch

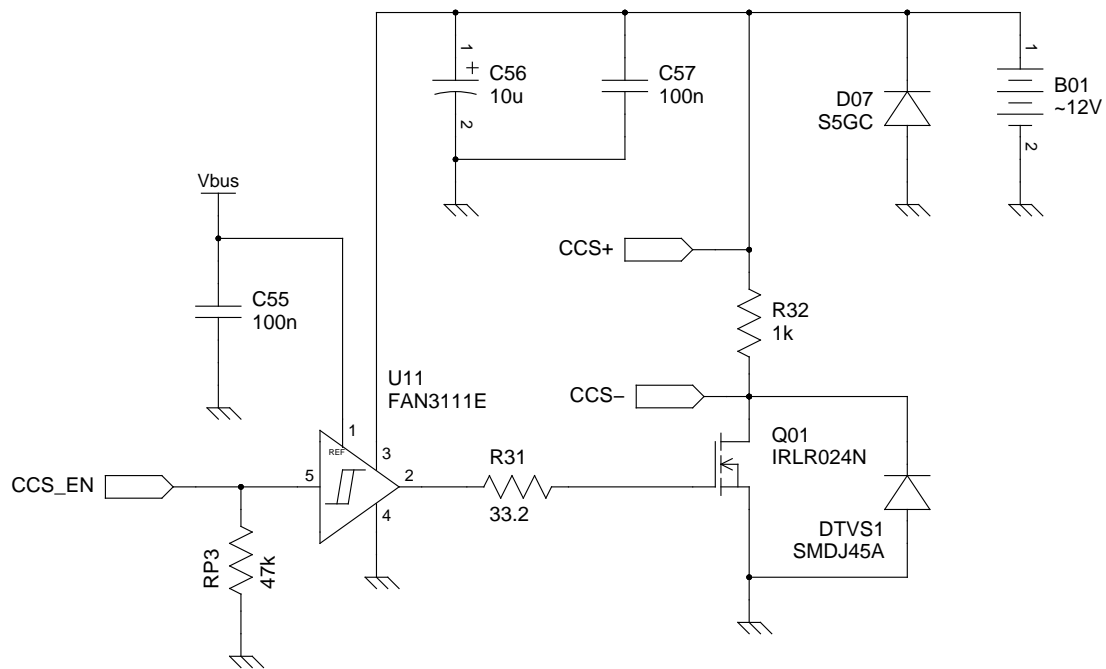
REVISION: 1.0

PAGE 10 OF 14

DRAWN BY: Bradley Worley



|  |               |                          |
|--|---------------|--------------------------|
| TITLE <b>PPM   Analog to Digital Converter</b> |               |                          |
| FILE: 11-adc.sch                               | REVISION: 1.1 |                          |
| PAGE <b>11</b>                                 | OF <b>14</b>  | DRAWN BY: Bradley Worley |



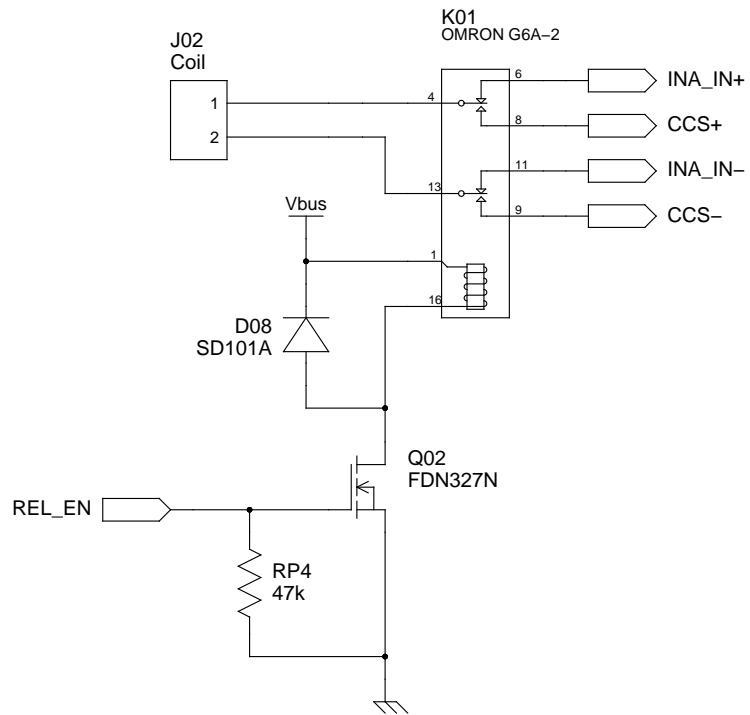
TITLE **PPM | Polarization Current Sink**

FILE: 12-pol.sch

REVISION: 2.1

PAGE 12 OF 14

DRAWN BY: Bradley Worley



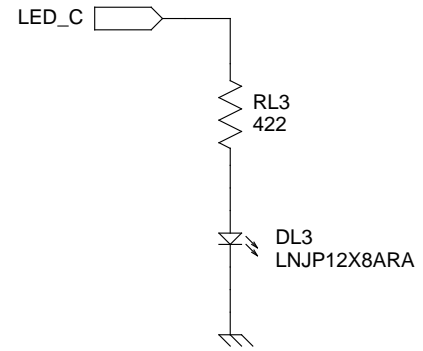
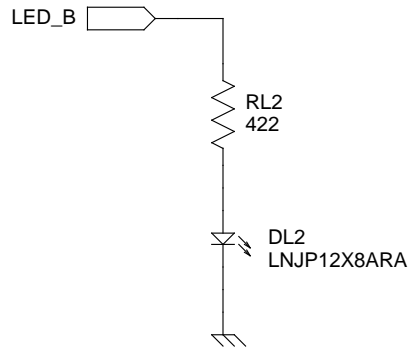
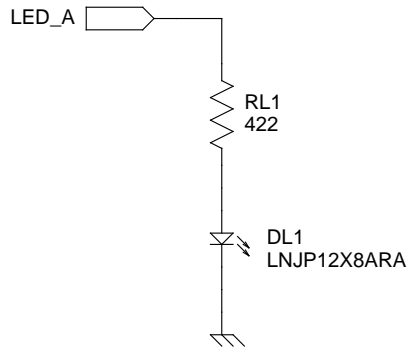
TITLE **PPM | Relay**

FILE: 13-relay.sch

REVISION: 1.3

PAGE 13 OF 14

DRAWN BY: Bradley Worley



TITLE **PPM | LED Status Indicators**

FILE: 14-leds.sch

REVISION: 1.2

PAGE **14** OF **14**

DRAWN BY: Bradley Worley