

TITLE: HCS-3000 Series MCU Control Circuit	DWG NO: 9801-3400-0000	MANSON ENGINEERING INDUSTRIAL LTD.		
DRAWN BY:	CHECKED BY:	APPROVED BY:	SHEET 1 OF 1	REVISION: 1.0
				DATE: 04-03-2009

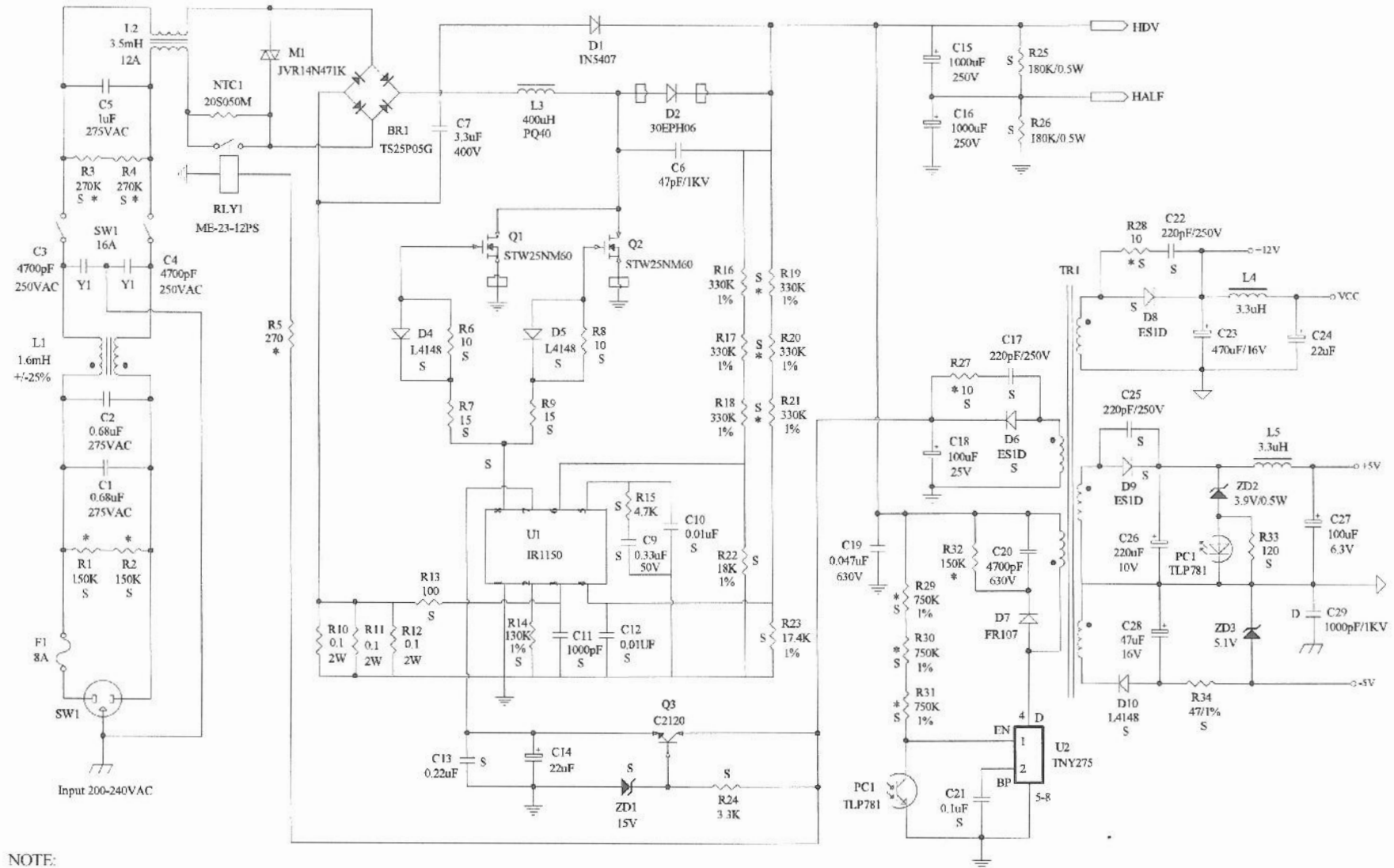
NOTE:

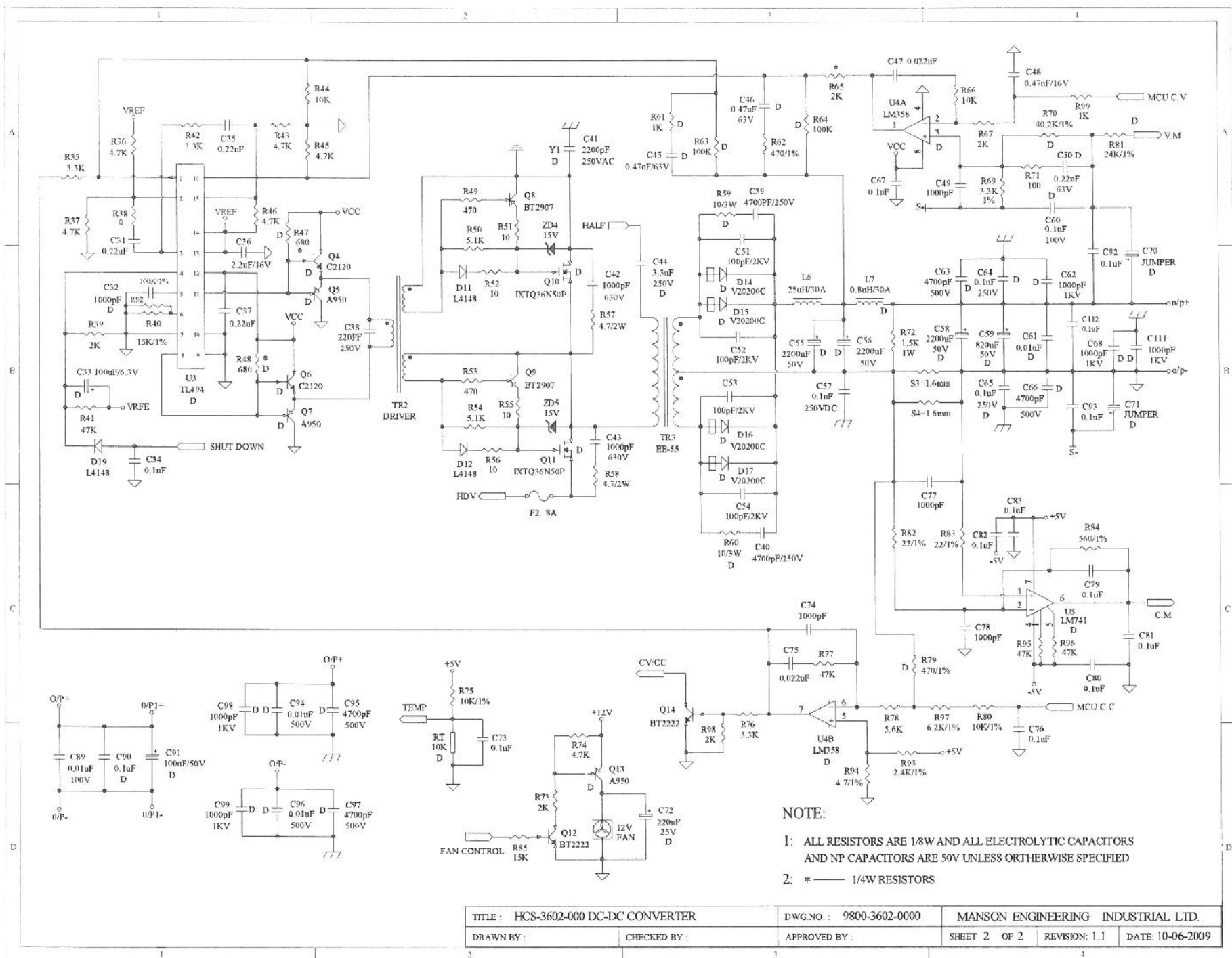
1: ALL RESISTORS ARE 1/8W AND ALL ELECTROLYTIC CAPACITORS AND NP CAPACITORS ARE 50V UNLESS OTHERWISE SPECIFIED

2: * — 1/4W RESISTORS

3: S — SMT

TITLE: HCS-3600-000 PFC		DWG.NO: 9800-3600-0000		MANSON ENGINEERING INDUSTRIAL LTD.	
DRAWN BY:		CHECKED BY:		APPROVED BY:	
				SHEET 1 OF 2	
				REVISION: 1.1	
				DATE: 10-06-2009	





NOTE:
 1: ALL RESISTORS ARE 1/8W AND ALL ELECTROLYTIC CAPACITORS AND NP CAPACITORS ARE 50V UNLESS OTHERWISE SPECIFIED
 2: * — 1/4W RESISTORS

TITLE: HCS-3602-000 DC-DC CONVERTER		DWG. NO.: 9800-3602-0000	MANSON ENGINEERING INDUSTRIAL LTD.		
DRAWN BY:	CHECKED BY:	APPROVED BY:	SHEET 2 OF 2	REVISION: 1.1	DATE: 10-06-2009