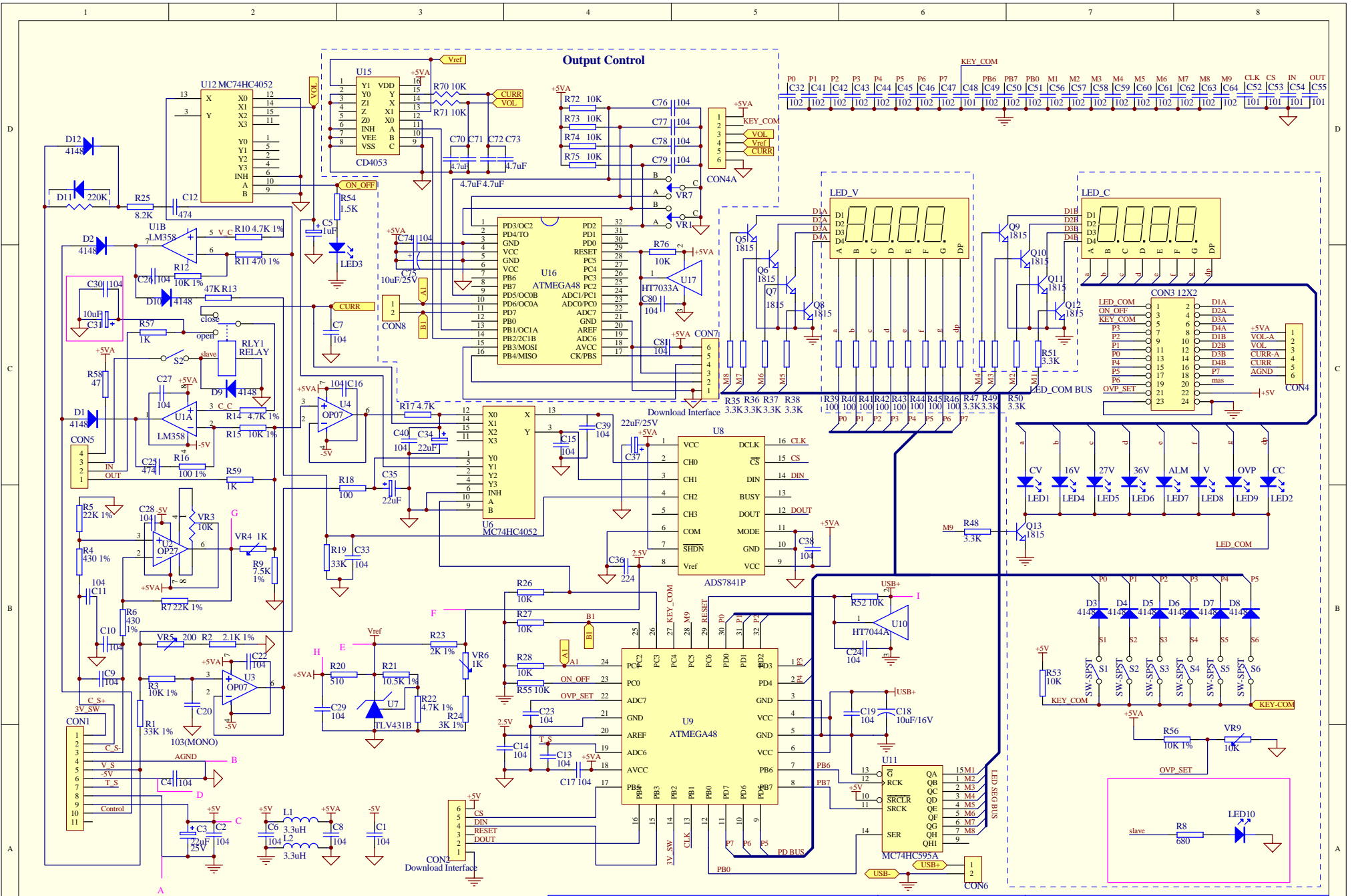


TITLE:	POWER CIRCUIT	DWG NO:			
DRAWN BY:		CHECK BY:		APPROVED BY:	
				SHEET 1 OF 1	REVISION: 1.4
					DATE: 2017-01-20



TITLE:	control schematic diagram	DWG NO:	
DRAWN BY:		APPROVED BY:	
CHECK BY:		SHEET 1 OF 1	REVISION: 1.2
			DATE: 2011-07-01