

Search 

[Log in](#) or [Create account](#)



Cart

 Menu

 **Cart**

QIACHIP

[Home](#)

[Products](#) 

[User manual](#)

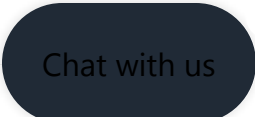
[CUSTOMER CARE](#) 

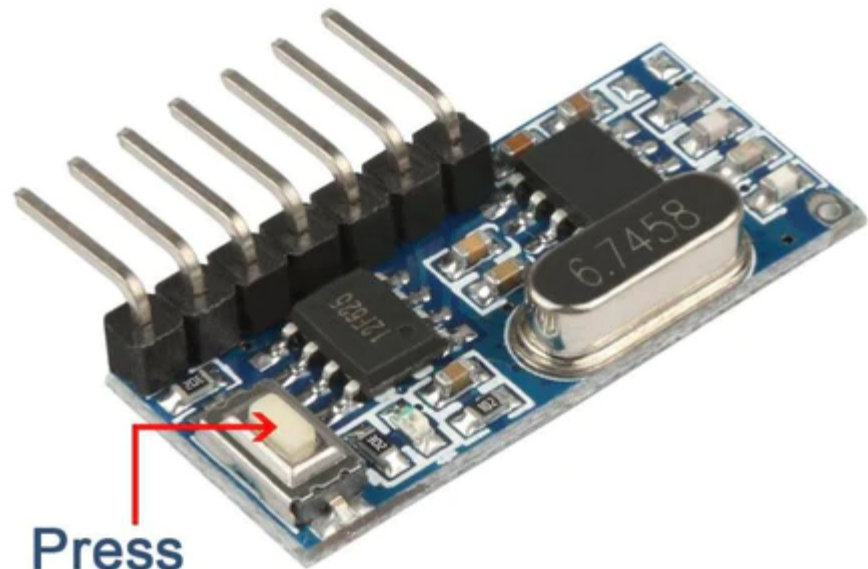
[Community](#)

[Contact us](#)

QIACHIP RX480E-4 receiver module Instructions manual | 433.92MHz | 1527 learning code | superheterodyne receiver wireless decoding

July 21, 2020 · [Latched](#) · [Latching](#) · [Momentary](#) · [RF](#) · [RX480E](#) · [Toggle](#) · [User manual](#)

 **1**
Chat with us



Press
This
Button

Press One:Inching Mode
Press Two:Self-Lock Mode
Press Three:Interlocked Mode

Operating Introduction

Clearing the code :

Push the learning button on the receivers for 8 times , the codes will be cleaned .
After clearing the code, all the remote control cannot work any more.

Learning the code :(momentary)

Push the learning key on the receiver once time , it comes into momentary setting mode .
Wait for a moment , the LED will be off , it comes into learning state .
Push the remote button , LED indicator on the receiver board will flash then come off .
After 3 seconds, the LED indicator will be on again , learning successfully .

Learning the code : (Toggle)

Push the learning key on the receiver twice time , it comes into toggle setting mode
Wait for a moment , the LED will be off , it comes into learning state .

Push the remote button, LED indicator on the receiver board will flash then come off.
After 3 seconds , the LED indicator will be on again , learning successfully .

Learning the code :(Latching)

Note: When you choose for latching mode , in order to learn more remote control , you need to learn two different button , the first time learnt is for "ON", the second time learnt for "OFF".

For example : button A = ON , button B = OFF

Push the learning key on the receiver triple time , it comes into latching mode .

Wait for a moment , the LED indicator on the receiver board will flash then come off.

Push the remote button A .

LED flash for 5 times .

Push the remote button B .

Led flash for 5 times .

After 3 seconds , the LED indicator will be on again , learning successfully.

A = ON , B = OFF .

Applications

1. wireless power switch, socket, remote control switch, receiver module,
2. access control, electric cars, motorcycles, automobile anti-theft products, remote door openers, closers control system
3. security, surveillance systems, home security products, electric doors, alarm host, alarm
4. rooms controls, shutter doors, windows, remote control socket, remote control LED, remote audio remote control electric doors, garage door remote control, remote control retractable doors, remote rolling gates, sliding door
5. smart home products, remote control curtains, remote MP3, audio

Specifications

Model Number:RX480E-4

Working Temperature : -25~75C

Receive Sensitivity: -108dB

Quiescent Current : $\leq 5\text{mA}$

Working Voltage : DC3.3~5V

Working Frequency: 433.92MHz

Support encoding chip model: EV1527, PT2262

(Others can be customized, but at least 1000pcs)

Function

Pin-out instructions:

GND : ground or negative pole

+V : DC3.3~5V input

D0: Data output

D1: Data output

D2: Data output

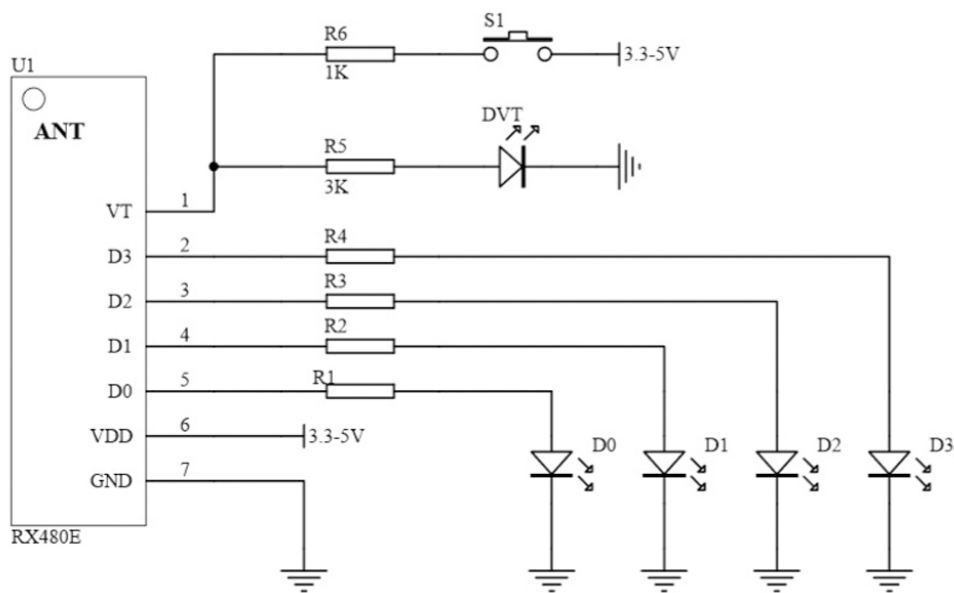
D3: Data output

VT: Output

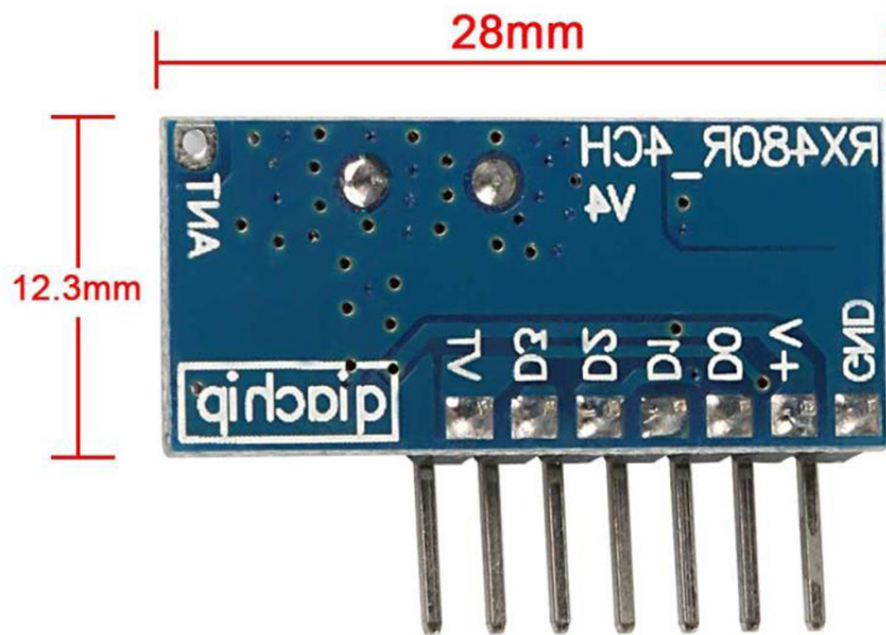
Working mode: Point move, self-locking, interlocking

The output: 4 channel CMOS level signal Corresponding to the remote control ABCD 4 buttons.

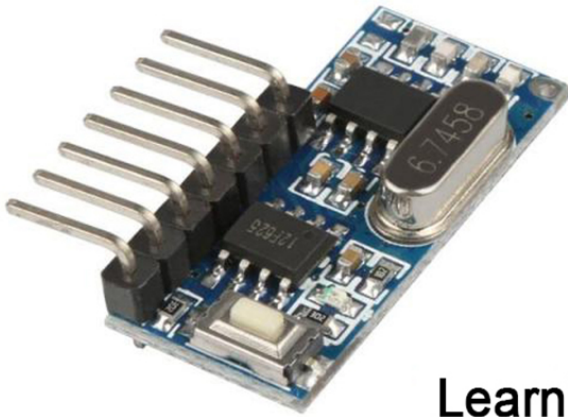
Wiring instructions



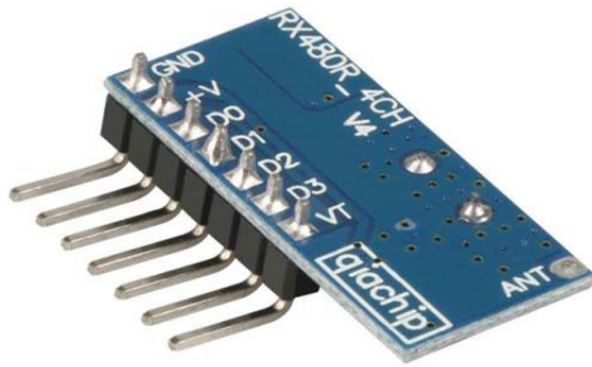
QIACHIP



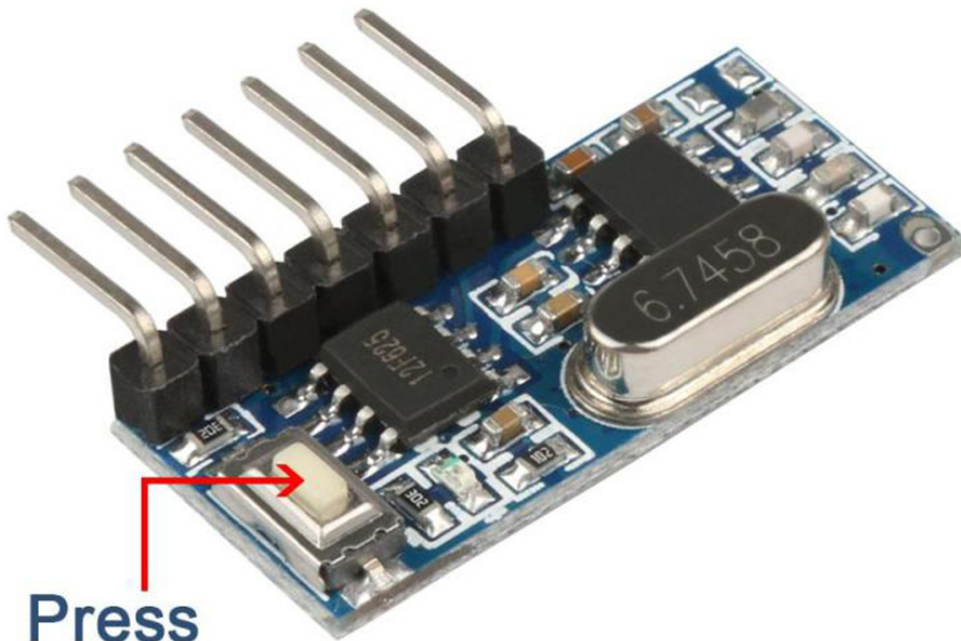
QIACHIP



Learning Code Decoding Receiver Module



QIACHIP



**Press
This
Button**

Press One:Inching Mode
Press Two:Self-Lock Mode
Press Three:Interlocked Mode

Introduction of working mode:

1. Press the learning button on the module 1 time. After the remote controller learns, it enters the jog mode;
2. Press the learning button on the module twice, and the remote controller will enter the self-locking mode after learning;
3. Press the learning button on the module 3 times, and the remote controller will enter the interlock mode after learning;
4. Press the learning button on the module 4 times. After the remote control learns, Enter two-way self-locking + two-way jog mode;
5. Press the learning button on the module 5 times. After the remote control learns, Enter two-way jog + two-way interlock mode;
6. Press the learning button on the module 6 times. After the remote control learns,

Enter two-way self-locking + two-way interlocking mode;

7. Press the learning button on the module 7 times. After the remote control learns,

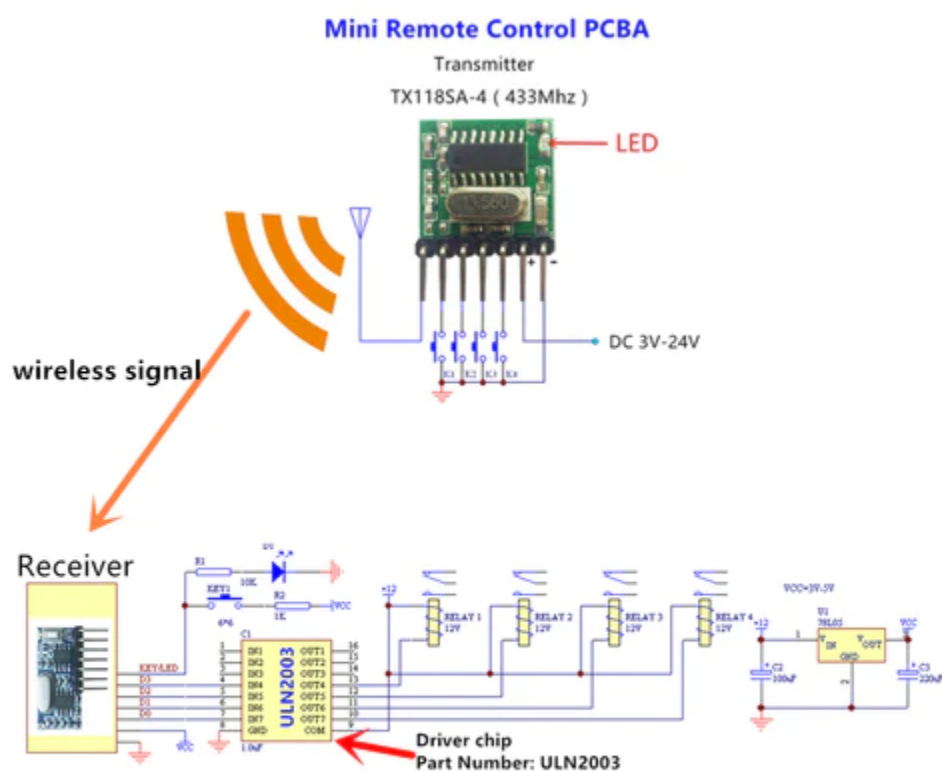
Enter two-way interlock + two-way interlock mode;

Explanation of the purpose of this LED output signal:

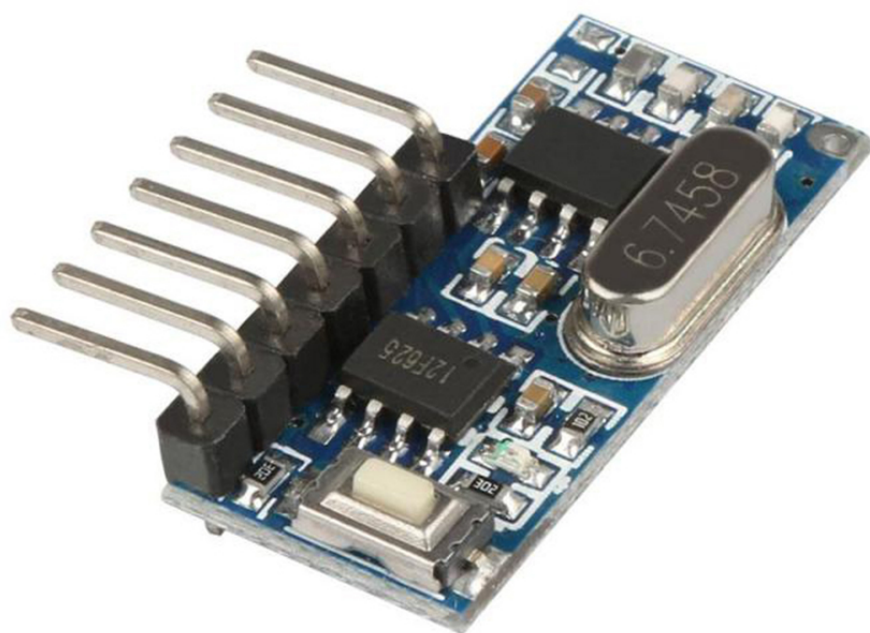
When any button of the remote control is pressed, the receiving end decodes and decodes correctly, the LED will output a high-level signal 1. When the remote control button is released, the LED output will become 0.

That is: it will be output only when the reception is valid and decoded correctly.

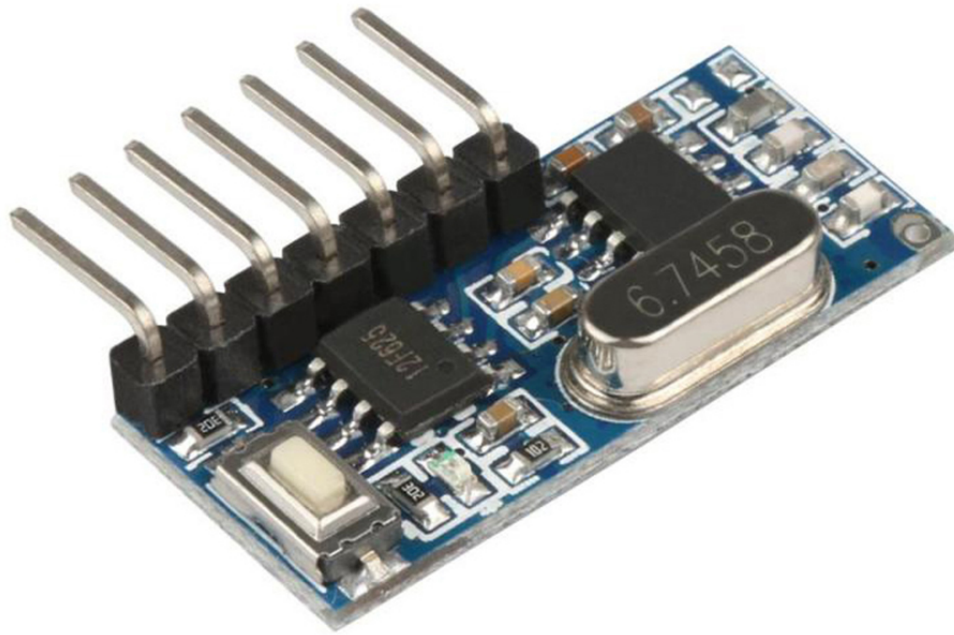
Wiring schematic diagram of RX480E and TX118SA



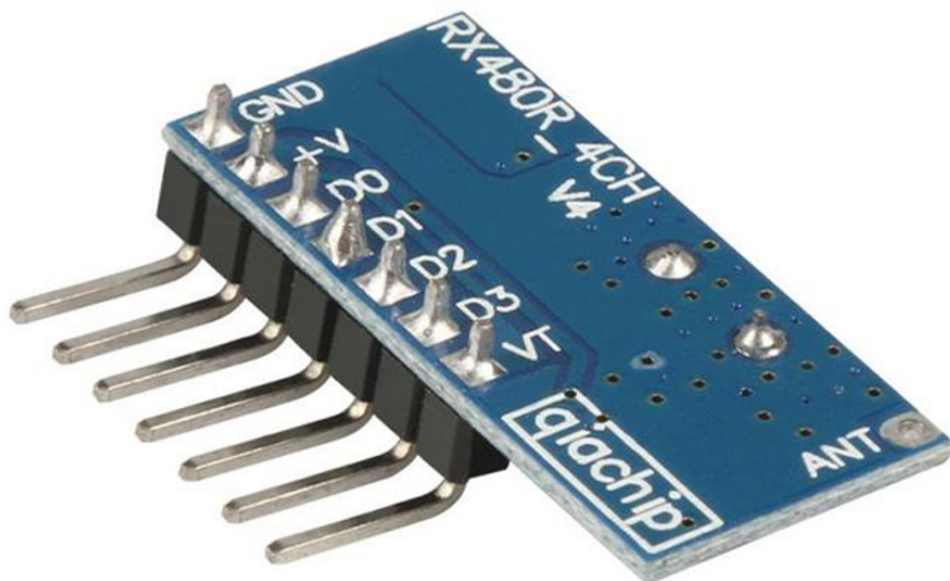
QIACHIP



QIACHIP



QIACHIP



Shop now

[← Older Post](#)

[Newer Post →](#)

Data on July 8, 2021

Hello,

How many different codes, a single RX480E module can register.

What is the maximum number of TX118SA modules that can be associated with a single RX480E receiver.

Thank you in advance, best regards

Data

Leave a comment

Please note, comments must be approved before they are published

Post comment

Recent Articles

How to use QIACHIP receiver module RX480E ? How to set the working mode of RX480E

February 14, 2023

Qiachip How to use KR2201G ? A smaller AC Remote control switch !

July 8, 2021

New products are coming online soon ! ! KR2201G a Small receiver !

May 11, 2021

QIACHIP TX118SA transmitter module Instructions manual | wireless 433.92mhz rf module | 1527 learning code | superheterodyne receiver wireless decoding

April 14, 2021

Qiachip KT02-117S-4 1527 Learning code remote control instruction manual

March 26, 2021

Qiachip | Product user manual | Catalog |

March 26, 2021

Categories

[alexa fan control](#)

[Instructions](#)

[KR2201W](#)

[KR2202](#)

[Latched](#)

[Latching](#)

[Momentary](#)

[New trailer](#)

[Receiver Module](#)

[RF](#)

[RX480E](#)

[RX500](#)

[smart ceiling fan controller](#)

[Toggle](#)

[User manual](#)

[Wi-Fi Ceiling Fan Remote Control Kit](#)

[WIFI](#)

[wifi ceiling fan controller](#)

Follow Us



Newsletter

Sign up for the latest news, offers and styles

Subscribe

Subscribe

Distribution Contact

If you are looking for a wholesale or distribution purchase. Please, do not hesitate to contact us. We highly value our long term partnership. Just email us which product you are looking for with the quantity. Then, we can discuss in details about price and deposit. If you are looking for custom made orders, please give us the specifications of what you are looking for.

Your Key Contact: Andy/Gaia

Contact us at: andy@qiachip.com

Looking to Cooperate

Our company welcome all sort of cooperation. If you are willing to work with us, please provide us with a detailed proposal of how we can work together and build a better future.

Your Key Contact: Thomas

Contact us at:

andy@qiachip.com

Technical Support

We truly care about our product quality. If there is any technical issues you've encountered in our product which is outside the area covered in our product guide, please send us a message.

Latest News

How to use QIACHIP receiver module RX480E ? How to set the working mode of RX480E

About working mode: Momentary (Inching Mode): Push the remote button, the relay connects, release the remote button, the relay dis-connects. Toggle (Self-Lock Mode): Push once the remote button, the relay connects, push...

