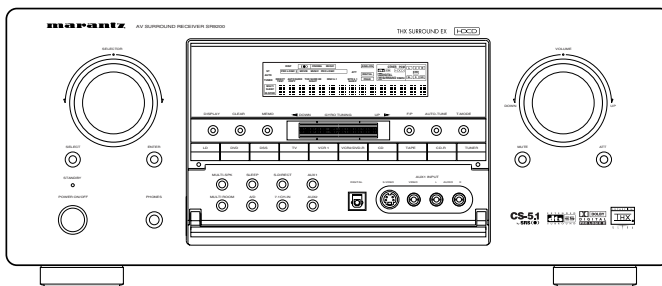


Service Manual

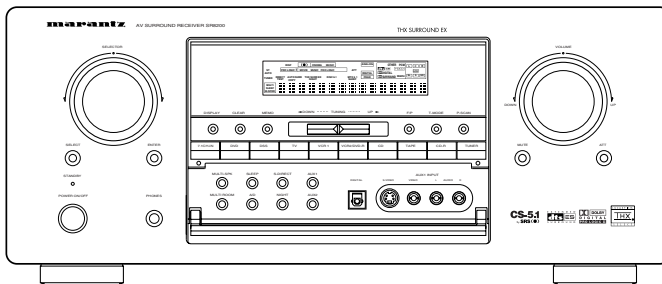
SR9200 / N1B/S1B/U1B
 /N1G/S1G/U1G
 SR8200 / N1B/S1B/U1B
 /N1G/S1G/U1G
 AV Surround Receiver

PS9200 / F1N
 AV Surround Amplifier

SR9200



SR8200



THX SURROUND EX



TABLE OF CONTENTS

SECTION	PAGE
1. TECHNICAL SPECIFICATIONS	1
2. WIRING DIAGRAM	11
3. BLOCK DIAGRAM	13
4. SCHEMATIC DIAGRAM	17
5. PARTS LOCATION	49
6. IC DATA	73
7. EXPLODED VIEW AND PARTS LIST	83
8. SERVICE PROGRAM	95
9. UPDATE FIRMWARE	97
10. POWER AMPLIFIER ADJUSTMENT	99
11. SYSTEM ERROR	101
12. TROUBLE SHOOTING	103
13. ELECTRICAL PARTS LIST	105

Please use this service manual with referring to the user guide (D.F.U.) without fail.

修理の際は、必ず取扱説明書を準備し操作方法を確認の上作業を行ってください。

marantz®

SR9200 / SR8200 / PS9200

344J855010 MIT
 3120 785 22880
 First Issue 2002.04

PS9200

SR9200 / SR8200

MARANTZ DESIGN AND SERVICE

Using superior design and selected high grade components, **MARANTZ** company has created the ultimate in stereo sound. Only original **MARANTZ** parts can insure that your **MARANTZ** product will continue to perform to the specifications for which it is famous.

Parts for your **MARANTZ** equipment are generally available to our National Marantz Subsidiary or Agent.

ORDERING PARTS :

Parts can be ordered either by mail or by Fax.. In both cases, the correct part number has to be specified.

The following information must be supplied to eliminate delays in processing your order :

1. Complete address
2. Complete part numbers and quantities required
3. Description of parts
4. Model number for which part is required
5. Way of shipment
6. Signature : any order form or Fax. must be signed, otherwise such part order will be considered as null and void.

USA

MARANTZ AMERICA, INC
1100 MAPLEWOOD DRIVE
ITASCA, IL. 60143
USA
PHONE : 630 - 741 - 0300
FAX : 630 - 741 - 0301

EUROPE / TRADING

MARANTZ EUROPE B.V.
P. O. BOX 8744, BUILDING SILVERPOINT
BEEMDSTRAAT 11, 5653 MA EINDHOVEN
THE NETHERLANDS
PHONE : +31 - 40 - 2507844
FAX : +31 - 40 - 2507860

CANADA

LENBROOK INDUSTRIES LIMITED
633 GRANITE COURT,
PICKERING, ONTARIO L1W 3K1
CANADA
PHONE : 905 - 831 - 6333
FAX : 905 - 831 - 6936

PROFESSIONAL AMERICAS

SUPERSCOPE TECHNOLOGIES, INC.
MARANTZ PROFESSIONAL PRODUCTS
2640 WHITE OAK CIRCLE, SUITE A
AURORA, ILLINOIS 60504 USA
PHONE : 630 - 820 - 4800
FAX : 630 - 820 - 8103

PROFESSIONAL AUSTRALIA

TECHNICAL AUDIO GROUP PTY, LTD
558 DARLING STREET,
BALMAIN, NSW 2041,
AUSTRALIA
PHONE : 61 - 2 - 9810 - 5300
FAX : 61 - 2 - 9810 - 5355

PROFESSIONAL HONG KONG

Jolly ProAudio Broadcast Engineering Ltd.
UNIT 2, 10F, WAH HUNG CENTRE,
41 HUNG TO ROAD, KWUN TONG, KLN.,
HONG KONG
PHONE : 852 - 21913660
FAX : 852 - 21913990

AUSTRALIA

QualiFi Pty Ltd,
24 LIONEL ROAD,
MT. WAVERLEY VIC 3149
AUSTRALIA
PHONE : +61 - (0)3 - 9543 - 1522
FAX : +61 - (0)3 - 9543 - 3677

THAILAND

MRZ STANDARD CO., LTD
746 - 754 MAHACHAI ROAD.,
WANGBURAPAPIROM, PHRANAKORN,
BANGKOK, 10200 THAILAND
PHONE : +66 - 2 - 222 9181
FAX : +66 - 2 - 224 6795

SINGAPORE

WO KEE HONG DISTRIBUTION PTE LTD
130 JOO SENG ROAD
#03-02 OLIVINE BUILDING
SINGAPORE 368357
PHONE : +65 6858 5535 / +65 6381 8621
FAX : +65 6858 6078

NEW ZEALAND

WILDASH AUDIO SYSTEMS NZ
14 MALVERN ROAD MT ALBERT
AUCKLAND NEW ZEALAND
PHONE : +64 - 9 - 8451958
FAX : +64 - 9 - 8463554

TAIWAN

PAI- YUING CO., LTD.
6 TH FL NO, 148 SUNG KIANG ROAD,
TAIPEI, 10429, TAIWAN R.O.C.
PHONE : +886 - 2 - 25221304
FAX : +886 - 2 - 25630415

MALAYSIA

WO KEE HONG ELECTRONICS SDN. BHD.
SUITE 8.1, LEVEL 8, MENARA GENESIS,
NO. 33, JALAN SULTAN ISMAIL,
50250 KUALA LUMPUR, MALAYSIA
PHONE : +60 3 - 21457677
FAX : +60 3 - 21458180

JAPAN Technical

MARANTZ JAPAN, INC.
35- 1, 7- CHOME, SAGAMIONO
SAGAMIHARA - SHI, KANAGAWA
JAPAN 228-8505
PHONE : +81 42 748 1013
FAX : +81 42 741 9190

日本マランツ株式会社

本社 〒228-8505
神奈川県相模原市相模大野7-35-1
営業本部 〒150-0022
東京都渋谷区恵比寿南1-11-9

KOREA

MK ENTERPRISES LTD.
ROOM 604/605, ELECTRO-OFFICETEL, 16-58,
3GA, HANGANG-RO, YONGSAN-KU, SEOUL
KOREA
PHONE : +822 - 3232 - 155
FAX : +822 - 3232 - 154

SHOCK, FIRE HAZARD SERVICE TEST :

CAUTION : After servicing this appliance and prior to returning to customer, measure the resistance between either primary AC cord connector pins (with unit NOT connected to AC mains and its Power switch ON), and the face or Front Panel of product and controls and chassis bottom.

Any resistance measurement less than 1 Megohms should cause unit to be repaired or corrected before AC power is applied, and verified before it is return to the user/customer.

Ref. UL Standard No. 1492.

In case of difficulties, do not hesitate to contact the Technical Department at above mentioned address.

1. TECHNICAL SPECIFICATIONS

SR9200

FM TUNER SECTION

Frequency Range	87.5 - 108.0 MHz
Usable Sensitivity	IHF 1.8 μ V/16.4 dBf
Signal to Noise Ratio	Mono/Stereo 75/70 dB
Distortion	Mono/Stereo 0.2/0.3 %
Stereo Separation	1 kHz 45 dB
Alternate Channel Selectivity	\pm 300 kHz 60 dB
Image Rejection	98 MHz 70 dB
Tuner Output Level	1 kHz, \pm 40 kHz Dev 800 mV (N/S)
.....	1 kHz, \pm 75 kHz Dev 800 mV (U)

AM TUNER SECTION

Frequency Range	LW: 152 -282 kHz, MW: 531 - 1602 kHz (N)
.....	531 - 1602 kHz (S)
.....	520 - 1710 kHz (U)
Signal to Noise Ratio	50 dB
Usable Sensitivity	Loop 400 μ V
Distortion	400 kHz, 30 % Mod. 0.5 % (N/S)
.....	1 kHz, 30 % Mod. 0.5 % (U)
Selectivity	\pm 18 kHz 70 dB (N/S)
.....	\pm 20 kHz 70 dB (U)

AUDIO SECTION

Power Output	
Front L&R (20 Hz - 20 kHz)	6 ohms 160 W / Ch
Center (20 Hz - 20 kHz)	6 ohms 160 W / Ch
Surround L&R (20 Hz - 20 kHz)	6 ohms 160 W / Ch
Surround Back L&R (20 Hz - 20 kHz)	6 ohms 160 W / Ch
THD Front (20 Hz - 20 kHz)	0.05 %
Input Sensitivity/Impedance	
Linear	195 mV/ 47 Kohms
Signal to Noise Ratio	
Linear	106 dB
Frequency Response (Analog Input / Source Direct)	8 Hz - 80 kHz (\pm 3 dB)
(Digital Input / 96 kHz PCM)	8 Hz - 45 kHz (\pm 3 dB)

VIDEO

Television Format	NTSC (U)
.....	NTSC/PAL (N/S)
Input Level/Impedance	1 Vp-p/75 ohms
Output Level/Impedance	1 Vp-p/75 ohms
Video Frequency Response	5 Hz to 8 MHz (+0, -1 dB)
S/N	60 dB

GENERAL

Power Requirement	AC 230 V 50 Hz(N/S)
.....	AC 120 V 60 Hz (U)
Power Consumption (Stereo Mode Rated Power)	530 W
Dimension (MAX)	
Width	440 mm (17-5/16 inches)
Height	184 mm (7-1/4 inches)
Depth	480 mm (18-7/8 inches)
Weight	19.5 Kg (43.6 lbs)

ACCESSORIES

Remote Control RC3200	1
FM Feeder Antenna	1
AM Loop Antenna	1
RS-232C Cable	1

SR8200

FM TUNER SECTION

Frequency Range	87.5 - 108.0 MHz
Usable Sensitivity	IHF 1.8 μ V/16.4 dBf
Signal to Noise Ratio	Mono/Stereo 75/70 dB (N/S)
.....	Mono/Stereo 76/72 dB (U)
Distortion	Mono/Stereo 0.2/0.3 %
Stereo Separation	1 kHz 45 dB
Alternate Channel Selectivity	\pm 300 kHz 60 dB
Image Rejection	98 MHz 70 dB
Tuner Output Level	1 kHz, \pm 40 kHz Dev 800 mV (N/S)
.....	1 kHz, \pm 75 kHz Dev 800 mV (U)

AM TUNER SECTION

Frequency Range	LW: 152 -282 kHz, MW: 531 - 1602 kHz (N)
.....	531 - 1602 kHz (S)
.....	520 - 1710 kHz (U)
Signal to Noise Ratio	50 dB
Usable Sensitivity	Loop 400 μ V
Distortion	400 kHz, 30 % Mod. 0.5 % (N/S)
.....	1 kHz, 30 % Mod. 0.5 % (U)
Selectivity	\pm 18 kHz 70 dB (N/S)
.....	\pm 20 kHz 70 dB (U)

AUDIO SECTION

Power Output	
Front L&R (20 Hz - 20 kHz)	6 ohms 130 W / Ch
Center (20 Hz - 20 kHz)	6 ohms 130 W / Ch
Surround L&R (20 Hz - 20 kHz)	6 ohms 130 W / Ch
Surround Back L&R (20 Hz - 20 kHz)	6 ohms 130 W / Ch
THD Front (20 Hz - 20 kHz)	0.09 %
Input Sensitivity/Impedance	
Linear	195 mV/ 47 Kohms (N)
.....	350 mV/ 47 Kohms (S/U)
Signal to Noise Ratio	
Linear	106 dB
Frequency Response (Analog Input / Source Direct)	8 Hz - 80 kHz (\pm 3 dB)
(Digital Input / 96 kHz PCM)	8 Hz - 45 kHz (\pm 3 dB)

VIDEO

Television Format	NTSC/PAL (N/S)
.....	NTSC (U)
Input Level/Impedance	1 Vp-p/75 ohms
Output Level/Impedance	1 Vp-p/75 ohms
Video Frequency Response	5 Hz to 8 MHz (+0, -1 dB)
S/N	60 dB

GENERAL

Power Requirement	AC 230 V 50 Hz(N/S)
.....	AC 120 V 60 Hz (U)
Power Consumption (Stereo Mode Rated Power)	400 W
Dimension (MAX)	
Width	440 mm (17-5/16 inches)
Height	184 mm (7-1/4 inches)
Depth	480 mm (18-7/8 inches)
Weight	19.3 Kg (42.5 lbs)

ACCESSORIES

Remote Control RC3200	1
FM Feeder Antenna	1
AM Loop Antenna	1
RS-232C Cable	1

PS9200

AUDIO SECTION

Power Output	
Front L&R (20 Hz - 20 kHz)	6 ohms 160 W / Ch
Center (20 Hz - 20 kHz)	6 ohms 160 W / Ch
Surround L&R (20 Hz - 20 kHz)	6 ohms 160 W / Ch
Surround Back L&R (20 Hz - 20 kHz)	6 ohms 160 W / Ch
THD Front (20 Hz - 20 kHz)	0.05 %
Input Sensitivity/Impedance	
Linear	195 mV/ 47 Kohms
Signal to Noise Ratio	
Linear	106 dB
Frequency Response (Analog Input / Source Direct)	8 Hz - 80 kHz (± 3 dB)
(Digital Input / 96 kHz PCM)	8 Hz - 45 kHz (± 3 dB)

VIDEO

Television Format	NTSC
Input Level/Impedance	1 Vp-p/75 ohms
Output Level/Impedance	1 Vp-p/75 ohms
Video Frequency Response	5 Hz to 8 MHz (+0, -1 dB)
S/N	60 dB

GENERAL

Power Requirement	AC 100 V 50/60 Hz
Power Consumption (Stereo Mode Rated Power)	530 W
Dimension (MAX)	
Width	455 mm
Height	180 mm
Depth	485 mm
Weight	22.3 Kg

ACCESSORIES

Remote Control RC3200	1
RS-232C Cable	1

SR9200

The relation between the selected surround mode and the input signal

The surround mode is selected with the surround mode buttons on SR9200 or the remote control unit. However, the sound you hear is subject to the relationship between the selected surround mode and input signal. That relationship is as follows;

Surround Mode	Input Signal	Output Channel					Front information display			
		L/R	C	SL	SBL	SubW	Signal format indicators	Channel status	Dot matrix display	Segments
AUTO	Dolby D Surr. EX	○	○	○	○	○	DIGITAL	L,C,R,SL,SR,S,LFE	THX SUR EX	AUTO SURR
	DTS-ES	○	○	○	○	○	dts , ES	L,C,R,SL,SR,S,LFE	DTS ES	AUTO SURR
	Dolby D (5.1ch)	○	○	○	-	○	DIGITAL	L,C,R,SL,SR,LFE	DOLBY D	AUTO SURR
	DTS(5.1ch)	○	○	○	-	○	dts	L,C,R,SL,SR,LFE	DTS Cinema	AUTO SURR
	Dolby D(2ch)	○	-	-	-	○	DIGITAL	L,R	DOLBY D	AUTO SURR
	Dolby D(2ch Surr)	○	○	○	-	○	DIGITAL , SURROUND	L,R,S	DOLBY PL2	AUTO SURR, PLII, MOVIE
	PCM(Audio)	○	-	-	-	○	PCM	L,R	STEREO	AUTO SURR
	PCM 96kHz	○	-	-	-	○	PCM, 96kHz	L,R	STEREO	AUTO SURR
	HDCD	○	-	-	-	○	PCM, HDCD	L,R	STEREO	AUTO SURR
	Analog	○	-	-	-	○	ANALOG	-	STEREO	AUTO SURR
S-DIRECT	Dolby D Surr. EX	○	○	○	○	○	DIGITAL	L,C,R,SL,SR,S,LFE	S-DIRECT	AUTO SURR
	DTS-ES	○	○	○	○	○	dts , ES	L,C,R,SL,SR,S,LFE	S-DIRECT	AUTO SURR
	Dolby D (5.1ch)	○	○	○	-	○	DIGITAL	L,C,R,SL,SR,LFE	S-DIRECT	AUTO SURR
	DTS(5.1ch)	○	○	○	-	○	dts	L,C,R,SL,SR,LFE	S-DIRECT	AUTO SURR
	Dolby D(2ch)	○	-	-	-	○	DIGITAL	L,R	S-DIRECT	AUTO SURR
	Dolby D(2ch Surr)	○	○	○	-	○	DIGITAL , SURROUND	L,R,S	S-DIRECT	AUTO SURR, PLII, MOVIE
	PCM(Audio)	○	-	-	-	○	PCM	L,R	S-DIRECT	AUTO SURR
	PCM 96kHz	○	-	-	-	○	PCM, 96kHz	L,R	S-DIRECT	AUTO SURR
	HDCD	○	-	-	-	○	PCM, HDCD	L,R	S-DIRECT	AUTO SURR
	Analog	○	-	-	-	○	ANALOG	-	S-DIRECT	AUTO SURR
DTS cinema/music	Dolby D Surr. EX	-	-	-	-	-	(DIGITAL)	-	-	DTS CINEMA or DTS MUSIC
	DTS-ES	○	○	○	-	○	dts , ES	L,C,R,SL,SR,S,LFE	-	DTS CINEMA or DTS MUSIC
	Dolby D (5.1ch)	-	-	-	-	-	(DIGITAL)	-	-	DTS CINEMA or DTS MUSIC
	DTS(5.1ch)	○	○	○	-	○	dts	L,C,R,SL,SR,LFE	-	DTS CINEMA or DTS MUSIC
	Dolby D(2ch)	-	-	-	-	-	(DIGITAL , SURROUND)	-	-	DTS CINEMA or DTS MUSIC
	Dolby D(2ch Surr)	-	-	-	-	-	(DIGITAL , SURROUND)	-	-	DTS CINEMA or DTS MUSIC
	PCM(Audio)	-	-	-	-	-	(PCM)	-	-	DTS CINEMA or DTS MUSIC
	PCM 96kHz	-	-	-	-	-	PCM, (96kHz)	-	-	DTS CINEMA or DTS MUSIC
	HDCD	-	-	-	-	-	(PCM)	-	-	DTS CINEMA or DTS MUSIC
	Analog	-	-	-	-	-	(ANALOG)	-	-	DTS CINEMA or DTS MUSIC
DTS ES	Dolby D Surr. EX	-	-	-	-	-	(DIGITAL)	-	-	DTS ES
	DTS-ES	○	○	○	○	○	dts , ES	L,C,R,SL,SR,S,LFE	-	Disc6.1
	Dolby D (5.1ch)	-	-	-	-	-	(DIGITAL)	-	-	DTS ES
	DTS(5.1ch)	○	○	○	○	○	dts	L,C,R,SL,SR,LFE	-	Mtx 6.1
	Dolby D(2ch)	-	-	-	-	-	(DIGITAL , SURROUND)	-	-	DTS ES
	Dolby D(2ch Surr)	-	-	-	-	-	(DIGITAL , SURROUND)	-	-	DTS ES
	PCM(Audio)	-	-	-	-	-	(PCM)	-	-	DTS ES
	PCM 96kHz	-	-	-	-	-	PCM, (96kHz)	-	-	DTS ES
	HDCD	-	-	-	-	-	(PCM)	-	-	DTS ES
	Analog	-	-	-	-	-	(ANALOG)	-	-	DTS ES
Neo6	Dolby D Surr. EX	○	○	○	○	○	DIGITAL	L,C,R,SL,SR,S,LFE	DOLBY D	
	DTS-ES	○	○	○	○	○	dts ES	L,C,R,SL,SR,S,LFE	DTS ES	Disc6.1
	Dolby D (5.1ch)	○	○	○	-	○	DIGITAL	L,C,R,SL,SR,LFE	DOLBY D	
	DTS(5.1ch)	○	○	○	-	○	dts	L,C,R,SL,SR,LFE	DTS ES	Mtx 6.1
	Dolby D(2ch)	○	○	○	○	○	DIGITAL	L,R	NEO 6	
	Dolby D(2ch Surr)	○	○	○	○	○	DIGITAL , SURROUND	L,R	NEO 6	
	PCM(Audio)	○	○	○	○	○	PCM	L,R	NEO 6	
	PCM 96kHz	-	-	-	-	-	PCM, (96kHz)	-	-	NEO 6
	HDCD	○	○	○	○	○	PCM	L,R	NEO 6	
	Analog	○	○	○	○	○	ANALOG	-	-	NEO 6
THX	Dolby D Surr. EX	○	○	○	-	○	DIGITAL	L,C,R,SL,SR,S,LFE	THX 5.1	
	DTS-ES	○	○	○	-	○	dts , ES	L,C,R,SL,SR,S,LFE	THX 5.1	
	Dolby D (5.1ch)	○	○	○	-	○	DIGITAL	L,C,R,SL,SR,LFE	THX 5.1	
	DTS(5.1ch)	○	○	○	-	○	dts	L,C,R,SL,SR,LFE	THX 5.1	
	Dolby D(2ch)	○	○	○	-	○	DIGITAL	L,R	THX CINEMA	PLII, MOVIE
	Dolby D(2ch Surr)	○	○	○	-	○	DIGITAL , SURROUND	L,R,S	THX CINEMA	PLII, MOVIE
	PCM(Audio)	○	○	○	-	○	PCM	L,R	THX CINEMA	PLII, MOVIE
	PCM 96kHz	-	-	-	-	-	PCM, (96kHz)	-	-	THX CINEMA
	HDCD	○	○	○	-	○	PCM	L,R	THX CINEMA	PLII, MOVIE
	Analog	○	○	○	-	○	ANALOG	-	-	THX CINEMA
THX EX	Dolby D Surr. EX	○	○	○	○	○	DIGITAL	L,C,R,SL,SR,S,LFE	THX SUR EX	THX Surr EX
	DTS-ES	○	○	○	○	○	dts , ES	L,C,R,SL,SR,S,LFE	THX SUR EX	THX Surr EX
	Dolby D (5.1ch)	○	○	○	○	○	DIGITAL	L,C,R,SL,SR,LFE	THX SUR EX	THX Surr EX
	DTS(5.1ch)	○	○	○	○	○	dts	L,C,R,SL,SR,LFE	THX SUR EX	THX Surr EX
	Dolby D(2ch)	○	○	○	-	○	DIGITAL	L,R	THX CINEMA	THX Surr EX, PLII, MOVIE
	Dolby D(2ch Surr)	○	○	○	-	○	DIGITAL , SURROUND	L,R,S	THX CINEMA	THX Surr EX, PLII, MOVIE
	PCM(Audio)	○	○	○	-	○	PCM	L,R	THX CINEMA	THX Surr EX, PLII, MOVIE
	PCM 96kHz	-	-	-	-	-	PCM, (96kHz)	-	-	THX CINEMA
	HDCD	○	○	○	-	○	PCM	L,R	THX CINEMA	THX Surr EX, PLII, MOVIE
	Analog	○	○	○	-	○	ANALOG	-	-	THX CINEMA
DOLBY (PL2-movie) (PL2-music) (PL2-PL)	Dolby D Surr. EX	○	○	○	○	○	DIGITAL	L,C,R,SL,SR,S,LFE	DOLBY D	
	DTS-ES	-	-	-	-	-	(dts)	-	-	DOLBY D
	Dolby D (5.1ch)	○	○	○	-	○	DIGITAL	L,C,R,SL,SR,LFE	DOLBY D	
	DTS(5.1ch)	-	-	-	-	-	(dts)	-	-	DOLBY D
	Dolby D(2ch)	○	○	○	-	○	DIGITAL	L,R	DOLBY PL2	PLII, MOVIE or MUSIC or PL
	Dolby D(2ch Surr)	○	○	○	-	○	DIGITAL , SURROUND	L,R,S	DOLBY PL2	PLII, MOVIE or MUSIC or PL
	PCM(Audio)	○	○	○	-	○	PCM	L,R	DOLBY PL2	PLII, MOVIE or MUSIC or PL
	PCM 96kHz	-	-	-	-	-	PCM, (96kHz)	-	-	DOLBY D

Surround Mode	Input Signal	Output Channel					Signal format indicators	Channel status	Front information display		
		L/R	C	SL SR	SBL SBR	SubW			Dot matrix display	Segments	
CS5.1 music CS5.1 cinema	Dolby D Surr. EX	○	○	○	-	○	(DIGITAL)	L,C,R,SL,SR,S,LFE	DOLBY D		
	DTS-ES	○	○	○	○	○	dts , ES	L,C,R,SL,SR,S,LFE	DTS-ES		
	Dolby D (5.1ch)	○	○	○	-	○	(DIGITAL)	L,C,R,SL,SR,LFE	DOLBY D		
	DTS(5.1ch)	○	○	○	-	○	dts	L,C,R,SL,SR,LFE	DTS cinema or DTS music		
	Dolby D(2ch)	○	○	○	-	○	(DIGITAL)	L,R	CS5.1		() MUSIC or CINEMA
	Dolby D(2ch Surr)	○	○	○	-	○	(DIGITAL, SURROUND)	L,R,S	CS5.1		() MUSIC or CINEMA
	PCM(Audio)	○	○	○	-	○	PCM	L,R	CS5.1		() MUSIC or CINEMA
	PCM 96kHz	-	-	-	-	-	PCM, (96kHz)	-	CS5.1		() MUSIC or CINEMA
	HDCD	○	○	○	-	○	PCM	L,R	CS5.1		() MUSIC or CINEMA
	Analog	○	○	○	-	○	ANALOG	-	CS5.1		() MUSIC or CINEMA
STEREO	Dolby D Surr. EX	○	-	-	-	○	(DIGITAL)	L,C,R,SL,SR,S,LFE	STEREO		
	DTS-ES	○	-	-	-	○	dts , ES	L,C,R,SL,SR,S,LFE	STEREO		
	Dolby D (5.1ch)	○	-	-	-	○	(DIGITAL)	L,C,R,SL,SR,LFE	STEREO		
	DTS(5.1ch)	○	-	-	-	○	dts	L,C,R,SL,SR,LFE	STEREO		
	Dolby D(2ch)	○	-	-	-	○	(DIGITAL)	L,R	STEREO		
	Dolby D(2ch Surr)	○	-	-	-	○	(DIGITAL, SURROUND)	L,R,S	STEREO		
	PCM(Audio)	○	-	-	-	○	PCM	L,R	STEREO		
	PCM 96kHz	○	-	-	-	○	PCM, 96kHz	-	STEREO		
	HDCD	○	-	-	-	○	PCM, HDCD	L,R	STEREO		
	Analog	○	-	-	-	○	ANALOG	-	STEREO		
Virtual	Dolby D Surr. EX	○	-	-	-	○	(DIGITAL)	L,C,R,SL,SR,S,LFE	VIRTUAL		
	DTS-ES	○	-	-	-	○	dts , ES	L,C,R,SL,SR,S,LFE	VIRTUAL		
	Dolby D (5.1ch)	○	-	-	-	○	(DIGITAL)	L,C,R,SL,SR,LFE	VIRTUAL		
	DTS(5.1ch)	○	-	-	-	○	dts	L,C,R,SL,SR,LFE	VIRTUAL		
	Dolby D(2ch)	○	-	-	-	○	(DIGITAL)	L,R	VIRTUAL		
	Dolby D(2ch Surr)	○	-	-	-	○	(DIGITAL, SURROUND)	L,R,S	VIRTUAL		
	PCM(Audio)	○	-	-	-	○	PCM	L,R	VIRTUAL		
	PCM 96kHz	-	-	-	-	-	PCM, (96kHz)	-	VIRTUAL		
	HDCD	○	-	-	-	○	PCM	L,R	VIRTUAL		
	Analog	○	-	-	-	○	ANALOG	-	VIRTUAL		
Multi Ch. Stereo	Dolby D Surr. EX	○	○	○	○	○	(DIGITAL)	L,C,R,SL,SR,S,LFE	M-CH ST		
	DTS-ES	○	○	○	○	○	dts , ES	L,C,R,SL,SR,S,LFE	M-CH ST		
	Dolby D (5.1ch)	○	○	○	○	○	(DIGITAL)	L,C,R,SL,SR,LFE	M-CH ST		
	DTS(5.1ch)	○	○	○	○	○	dts	L,C,R,SL,SR,LFE	M-CH ST		
	Dolby D(2ch)	○	○	○	○	○	(DIGITAL)	L,R	M-CH ST		
	Dolby D(2ch Surr)	○	○	○	○	○	(DIGITAL, SURROUND)	L,R,S	M-CH ST		
	PCM(Audio)	○	○	○	○	○	PCM	L,R	M-CH ST		
	PCM 96kHz	-	-	-	-	-	PCM, (96kHz)	-	M-CH ST		
	HDCD	○	○	○	○	○	PCM	L,R	M-CH ST		
	Analog	○	○	○	○	○	ANALOG	-	M-CH ST		
MOVIE HALL MATRIX	Dolby D Surr. EX	○	○	○	-	○	(DIGITAL)	L,C,R,SL,SR,S,LFE	MOVIE, HALL, MATRIX		
	DTS-ES	○	○	○	-	○	dts , ES	L,C,R,SL,SR,S,LFE	MOVIE, HALL, MATRIX		
	Dolby D (5.1ch)	○	○	○	-	○	(DIGITAL)	L,C,R,SL,SR,LFE	MOVIE, HALL, MATRIX		
	DTS(5.1ch)	○	○	○	-	○	dts	L,C,R,SL,SR,LFE	MOVIE, HALL, MATRIX		
	Dolby D(2ch)	○	○	○	-	○	(DIGITAL)	L,R	MOVIE, HALL, MATRIX		
	Dolby D(2ch Surr)	○	○	○	-	○	(DIGITAL, SURROUND)	L,R,S	MOVIE, HALL, MATRIX		
	PCM(Audio)	○	○	○	-	○	PCM	L,R	MOVIE, HALL, MATRIX		
	PCM 96kHz	-	-	-	-	-	PCM, (96kHz)	-	MOVIE, HALL, MATRIX		
	HDCD	○	○	○	-	○	PCM	L,R	MOVIE, HALL, MATRIX		
	Analog	○	○	○	-	○	ANALOG	-	MOVIE, HALL, MATRIX		

Note: DOLBY-D(2ch Surr)signals have Dolby Surround flag.
SPKRS setup is full THX system (8ch Speakers).

L/R : Front speaker
SL/SR : Surround speaker
SBL/SBR : Surround back speaker
C : Center speaker
SubW : Sub woofer speaker

PL: The PRO LOGIC indicator lights
PLII: The PRO LOGIC II indicator lights
() : The indicator blinks

SR8200

The relation between the selected surround mode and the input signal

The surround mode is selected with the surround mode buttons on SR8200 or the remote control unit. However, the sound you hear is subject to the relationship between the selected surround mode and input signal. That relationship is as follows;

Surround Mode	Input Signal	Output Channel					Front information display			
		L/R	C	SL SR	SB	SubW	Signal format indicators	Channel status	Dot matrix display	Segments
AUTO	Dolby D Surr. EX	○	○	○	○	○	DD DIGITAL	L,C,R,SL,SR,S,LFE	THX SUR EX	AUTO SURR
	DTS-ES	○	○	○	○	○	dts , ES	L,C,R,SL,SR,S,LFE	DTS ES	AUTO SURR
	Dolby D (5.1ch)	○	○	○	-	○	DD DIGITAL	L,C,R,SL,SR,LFE	DOLBY D	AUTO SURR
	DTS(5.1ch)	○	○	○	-	○	dts	L,C,R,SL,SR,LFE	DTS Cinema	AUTO SURR
	Dolby D(2ch)	○	-	-	-	○	DD DIGITAL	L,R	DOLBY D	AUTO SURR
	Dolby D(2ch Surr)	○	○	○	-	○	DD DIGITAL , DD SURROUND	L,R,S	DOLBY PL2	AUTO SURR, PLII, MOVIE
	PCM(Audio)	○	-	-	-	○	PCM	L,R	STEREO	AUTO SURR
	PCM 96kHz	○	-	-	-	○	PCM, 96kHz	L,R	STEREO	AUTO SURR
S-DIRECT	Analog	○	-	-	-	○	ANALOG	-	STEREO	AUTO SURR
	Dolby D Surr. EX	○	○	○	○	○	DD DIGITAL	L,C,R,SL,SR,S,LFE	S-DIRECT	AUTO SURR
	DTS-ES	○	○	○	○	○	dts , ES	L,C,R,SL,SR,S,LFE	S-DIRECT	AUTO SURR
	Dolby D (5.1ch)	○	○	○	-	○	DD DIGITAL	L,C,R,SL,SR,LFE	S-DIRECT	AUTO SURR
	DTS(5.1ch)	○	○	○	-	○	dts	L,C,R,SL,SR,LFE	S-DIRECT	AUTO SURR
	Dolby D(2ch)	○	-	-	-	○	DD DIGITAL	L,R	S-DIRECT	AUTO SURR
	Dolby D(2ch Surr)	○	○	○	-	○	DD DIGITAL , DD SURROUND	L,R,S	S-DIRECT	AUTO SURR, PLII, MOVIE
	PCM(Audio)	○	-	-	-	○	PCM	L,R	S-DIRECT	AUTO SURR
DTS cinema/music	PCM 96kHz	○	-	-	-	○	PCM, 96kHz	L,R	S-DIRECT	AUTO SURR
	Analog	○	-	-	-	○	ANALOG	-	S-DIRECT	AUTO SURR
	Dolby D Surr. EX	-	-	-	-	-	(DD DIGITAL)	-	DTS CINEMA or DTS MUSIC	
	DTS-ES	○	○	○	-	○	dts , ES	L,C,R,SL,SR,S,LFE	DTS CINEMA or DTS MUSIC	
	Dolby D (5.1ch)	-	-	-	-	-	(DD DIGITAL)	-	DTS CINEMA or DTS MUSIC	
	DTS(5.1ch)	○	○	○	-	○	dts	L,C,R,SL,SR,LFE	DTS CINEMA or DTS MUSIC	
	Dolby D(2ch)	-	-	-	-	-	(DD DIGITAL , DD SURROUND)	-	DTS CINEMA or DTS MUSIC	
	Dolby D(2ch Surr)	-	-	-	-	-	(DD DIGITAL , DD SURROUND)	-	DTS CINEMA or DTS MUSIC	
DTS ES	PCM(Audio)	-	-	-	-	-	(PCM)	-	DTS CINEMA or DTS MUSIC	
	PCM 96kHz	-	-	-	-	-	PCM, (96kHz)	-	DTS CINEMA or DTS MUSIC	
	Analog	-	-	-	-	-	(ANALOG)	-	DTS CINEMA or DTS MUSIC	
	Dolby D Surr. EX	-	-	-	-	-	(DD DIGITAL)	-	DTS ES	
	DTS-ES	○	○	○	○	○	dts , ES	L,C,R,SL,SR,S,LFE	DTS ES	Disc6.1
	Dolby D (5.1ch)	-	-	-	-	-	(DD DIGITAL)	-	DTS ES	
	DTS(5.1ch)	○	○	○	○	○	dts	L,C,R,SL,SR,LFE	DTS ES	Mtx 6.1
	Dolby D(2ch)	-	-	-	-	-	(DD DIGITAL , DD SURROUND)	-	DTS ES	
Neo6	Dolby D(2ch Surr)	-	-	-	-	-	(DD DIGITAL , DD SURROUND)	-	DTS ES	
	PCM(Audio)	-	-	-	-	-	(PCM)	-	DTS ES	
	PCM 96kHz	-	-	-	-	-	PCM, (96kHz)	-	DTS ES	
	Analog	-	-	-	-	-	(ANALOG)	-	DTS ES	
	Dolby D Surr. EX	○	○	○	○	○	DD DIGITAL	L,C,R,SL,SR,S,LFE	DOLBY D	
	DTS-ES	○	○	○	○	○	dts ES	L,C,R,SL,SR,S,LFE	DTS ES	Disc6.1
	Dolby D (5.1ch)	○	○	○	-	○	DD DIGITAL	L,C,R,SL,SR,LFE	DOLBY D	
	DTS(5.1ch)	○	○	○	-	○	dts	L,C,R,SL,SR,LFE	DTS ES	Mtx 6.1
THX	Dolby D(2ch)	○	○	○	○	○	DD DIGITAL	L,R	NEO 6	
	Dolby D(2ch Surr)	○	○	○	○	○	DD DIGITAL , DD SURROUND	L,R	NEO 6	
	PCM(Audio)	○	○	○	○	○	PCM	L,R	NEO 6	
	PCM 96kHz	-	-	-	-	-	PCM, (96kHz)	-	NEO 6	
	Analog	○	○	○	○	○	ANALOG	-	NEO 6	
	Dolby D Surr. EX	○	○	○	-	○	DD DIGITAL	L,C,R,SL,SR,S,LFE	THX 5.1	
	DTS-ES	○	○	○	-	○	dts , ES	L,C,R,SL,SR,S,LFE	THX 5.1	
	Dolby D (5.1ch)	○	○	○	-	○	DD DIGITAL	L,C,R,SL,SR,LFE	THX 5.1	
THX EX	DTS(5.1ch)	○	○	○	-	○	dts	L,C,R,SL,SR,LFE	THX 5.1	
	Dolby D(2ch)	○	○	○	-	○	DD DIGITAL	L,R	THX CINEMA	PLII, MOVIE
	Dolby D(2ch Surr)	○	○	○	-	○	DD DIGITAL , DD SURROUND	L,R,S	THX CINEMA	PLII, MOVIE
	PCM(Audio)	○	○	○	-	○	PCM	L,R	THX CINEMA	PLII, MOVIE
	PCM 96kHz	-	-	-	-	-	PCM, (96kHz)	-	THX CINEMA	PLII, MOVIE
	Analog	○	○	○	-	○	ANALOG	-	THX CINEMA	PLII, MOVIE
	Dolby D Surr. EX	○	○	○	○	○	DD DIGITAL	L,C,R,SL,SR,S,LFE	THX SUR EX	THX Surr EX
	DTS-ES	○	○	○	○	○	dts , ES	L,C,R,SL,SR,S,LFE	THX SUR EX	THX Surr EX
DOLBY (PL2-movie) (PL2-music) (PL2-PL)	Dolby D (5.1ch)	○	○	○	-	○	DD DIGITAL	L,C,R,SL,SR,LFE	THX SUR EX	THX Surr EX
	DTS(5.1ch)	○	○	○	-	○	dts	L,C,R,SL,SR,LFE	THX SUR EX	THX Surr EX
	Dolby D(2ch)	○	○	○	-	○	DD DIGITAL	L,R	THX CINEMA	THX Surr EX, PLII, MOVIE
	Dolby D(2ch Surr)	○	○	○	-	○	DD DIGITAL , DD SURROUND	L,R,S	THX CINEMA	THX Surr EX, PLII, MOVIE
	PCM(Audio)	○	○	○	-	○	PCM	L,R	THX CINEMA	THX Surr EX, PLII, MOVIE
	PCM 96kHz	-	-	-	-	-	PCM, (96kHz)	-	THX CINEMA	THX Surr EX, PLII, MOVIE
	Analog	○	○	○	-	○	ANALOG	-	THX CINEMA	THX Surr EX, PLII, MOVIE
	Dolby D Surr. EX	○	○	○	○	○	DD DIGITAL	L,C,R,SL,SR,S,LFE	DOLBY D	
DTS-ES	-	-	-	-	-	(dts)	-	DOLBY D		
Dolby D (5.1ch)	○	○	○	-	○	DD DIGITAL	L,C,R,SL,SR,LFE	DOLBY D		
DTS(5.1ch)	-	-	-	-	-	(dts)	-	DOLBY D		
Dolby D(2ch)	○	○	○	-	○	DD DIGITAL	L,R	DOLBY PL2	PLII, MOVIE or MUSIC or PL	
Dolby D(2ch Surr)	○	○	○	-	○	DD DIGITAL , DD SURROUND	L,R,S	DOLBY PL2	PLII, MOVIE or MUSIC or PL	
PCM(Audio)	○	○	○	-	○	PCM	L,R	DOLBY PL2	PLII, MOVIE or MUSIC or PL	
PCM 96kHz	-	-	-	-	-	PCM, (96kHz)	-	DOLBY D	PLII, MOVIE or MUSIC or PL	
Analog	○	○	○	-	○	ANALOG	-	DOLBY PL2	PLII, MOVIE or MUSIC or PL	

Surround Mode	Input Signal	Output Channel					Signal format indicators	Channel status	Front information display	
		L/R	C	SL SR	SB	SubW			Dot matrix display	Segments
CS5.1 music CS5.1 cinema	Dolby D Surr. EX	○	○	○	-	○	(DIGITAL)	L,C,R,SL,SR,S,LFE	DOLBY D	
	DTS-ES	○	○	○	○	○	dts , ES	L,C,R,SL,SR,S,LFE	DTS-ES	
	Dolby D (5.1ch)	○	○	○	-	○	DIGITAL	L,C,R,SL,SR,LFE	DOLBY D	
	DTS(5.1ch)	○	○	○	-	○	dts	L,C,R,SL,SR,LFE	DTS cinema or DTS music	
	Dolby D(2ch)	○	○	○	-	○	DIGITAL	L,R	CS5.1	(●) MUSIC or CINEMA
	Dolby D(2ch Surr)	○	○	○	-	○	DIGITAL , SURROUND	L,R,S	CS5.1	(●) MUSIC or CINEMA
	PCM(Audio)	○	○	○	-	○	PCM	L,R	CS5.1	(●) MUSIC or CINEMA
	PCM 96kHz	-	-	-	-	-	PCM, (96kHz)	-	CS5.1	(●) MUSIC or CINEMA
Analog	○	○	○	-	○	ANALOG	-	CS5.1	(●) MUSIC or CINEMA	
STEREO	Dolby D Surr. EX	○	-	-	-	○	DIGITAL	L,C,R,SL,SR,S,LFE	STEREO	
	DTS-ES	○	-	-	-	○	dts , ES	L,C,R,SL,SR,S,LFE	STEREO	
	Dolby D (5.1ch)	○	-	-	-	○	DIGITAL	L,C,R,SL,SR,LFE	STEREO	
	DTS(5.1ch)	○	-	-	-	○	dts	L,C,R,SL,SR,LFE	STEREO	
	Dolby D(2ch)	○	-	-	-	○	DIGITAL	L,R	STEREO	
	Dolby D(2ch Surr)	○	-	-	-	○	DIGITAL , SURROUND	L,R,S	STEREO	
	PCM(Audio)	○	-	-	-	○	PCM	L,R	STEREO	
	PCM 96kHz	○	-	-	-	○	PCM, 96kHz	-	STEREO	
Analog	○	-	-	-	○	ANALOG	-	STEREO		
Virtual	Dolby D Surr. EX	○	-	-	-	○	DIGITAL	L,C,R,SL,SR,S,LFE	VIRTUAL	
	DTS-ES	○	-	-	-	○	dts , ES	L,C,R,SL,SR,S,LFE	VIRTUAL	
	Dolby D (5.1ch)	○	-	-	-	○	DIGITAL	L,C,R,SL,SR,LFE	VIRTUAL	
	DTS(5.1ch)	○	-	-	-	○	dts	L,C,R,SL,SR,LFE	VIRTUAL	
	Dolby D(2ch)	○	-	-	-	○	DIGITAL	L,R	VIRTUAL	
	Dolby D(2ch Surr)	○	-	-	-	○	DIGITAL , SURROUND	L,R,S	VIRTUAL	
	PCM(Audio)	○	-	-	-	○	PCM	L,R	VIRTUAL	
	PCM 96kHz	-	-	-	-	-	PCM, (96kHz)	-	VIRTUAL	
Analog	○	-	-	-	○	ANALOG	-	VIRTUAL		
Multi Ch. Stereo	Dolby D Surr. EX	○	○	○	○	○	DIGITAL	L,C,R,SL,SR,S,LFE	M-CH ST	
	DTS-ES	○	○	○	○	○	dts , ES	L,C,R,SL,SR,S,LFE	M-CH ST	
	Dolby D (5.1ch)	○	○	○	○	○	DIGITAL	L,C,R,SL,SR,LFE	M-CH ST	
	DTS(5.1ch)	○	○	○	○	○	dts	L,C,R,SL,SR,LFE	M-CH ST	
	Dolby D(2ch)	○	○	○	○	○	DIGITAL	L,R	M-CH ST	
	Dolby D(2ch Surr)	○	○	○	○	○	DIGITAL , SURROUND	L,R,S	M-CH ST	
	PCM(Audio)	○	○	○	○	○	PCM	L,R	M-CH ST	
	PCM 96kHz	-	-	-	-	-	PCM, (96kHz)	-	M-CH ST	
Analog	○	○	○	○	○	ANALOG	-	M-CH ST		
MOVIE HALL MATRIX	Dolby D Surr. EX	○	○	○	-	○	DIGITAL	L,C,R,SL,SR,S,LFE	MOVIE, HALL, MATRIX	
	DTS-ES	○	○	○	-	○	dts , ES	L,C,R,SL,SR,S,LFE	MOVIE, HALL, MATRIX	
	Dolby D (5.1ch)	○	○	○	-	○	DIGITAL	L,C,R,SL,SR,LFE	MOVIE, HALL, MATRIX	
	DTS(5.1ch)	○	○	○	-	○	dts	L,C,R,SL,SR,LFE	MOVIE, HALL, MATRIX	
	Dolby D(2ch)	○	○	○	-	○	DIGITAL	L,R	MOVIE, HALL, MATRIX	
	Dolby D(2ch Surr)	○	○	○	-	○	DIGITAL , SURROUND	L,R,S	MOVIE, HALL, MATRIX	
	PCM(Audio)	○	○	○	-	○	PCM	L,R	MOVIE, HALL, MATRIX	
	PCM 96kHz	-	-	-	-	-	PCM, (96kHz)	-	MOVIE, HALL, MATRIX	
Analog	○	○	○	-	○	ANALOG	-	MOVIE, HALL, MATRIX		

Note: DOLBY-D(2ch Surr)signals have Dolby Surround flag.
SPKRS setup is full THX system (8ch Speakers).

L/R : Front speaker
SL/SR : Surround speaker
SB : Surround back speaker
C : Center speaker
SubW : Sub woofer speaker

PL: The PRO LOGIC indicator lights
PLII: The PRO LOGIC II indicator lights
() : The indicator blinks

PS9200

Surround Mode	Input Signal	Output Channel					Front information display			
		L/R	C	SL SR	SBL SBR	SubW	Signal format indicators	Channel status	Dot matrix display	Segments
AUTO	Dolby D Surr. EX	○	○	○	○	○	ⓧ DIGITAL	L,C,R,SL,SR,S,LFE	THX SUR EX	AUTO SURR
	DTS-ES	○	○	○	○	○	ⓧ dts , ES	L,C,R,SL,SR,S,LFE	DTS ES	AUTO SURR
	Dolby D (5.1ch)	○	○	○	-	○	ⓧ DIGITAL	L,C,R,SL,SR,LFE	DOLBY D	AUTO SURR
	DTS(5.1ch)	○	○	○	-	○	ⓧ dts	L,C,R,SL,SR,LFE	DTS Cinema	AUTO SURR
	AAC(5.1ch)	○	○	○	-	○	AAC	L,C,R,SL,SR,LFE	AAC	AUTO SURR
	Dolby D(2ch)	○	-	-	-	○	ⓧ DIGITAL	L,R	DOLBY D	AUTO SURR, PLII, MOVIE
	Dolby D(2ch Surr)	○	○	○	-	○	ⓧ DIGITAL, ⓧ SURROUND	L,R,S	DOLBY PL2	AUTO SURR
	AAC(2ch)	○	-	-	-	○	AAC	L,R	AAC	AUTO SURR
	PCM(Audio)	○	-	-	-	○	PCM	L,R	STEREO	AUTO SURR
	PCM 96kHz	○	-	-	-	○	PCM, 96kHz	L,R	STEREO	AUTO SURR
	HDCD	○	-	-	-	○	PCM, HDCD	L,R	STEREO	AUTO SURR
	Analog	○	-	-	-	○	ANALOG	-	STEREO	AUTO SURR
	S-DIRECT	Dolby D Surr. EX	○	○	○	○	○	ⓧ DIGITAL	L,C,R,SL,SR,S,LFE	S-DIRECT
DTS-ES		○	○	○	○	○	ⓧ dts , ES	L,C,R,SL,SR,S,LFE	S-DIRECT	AUTO SURR
Dolby D (5.1ch)		○	○	○	-	○	ⓧ DIGITAL	L,C,R,SL,SR,LFE	S-DIRECT	AUTO SURR
DTS(5.1ch)		○	○	○	-	○	ⓧ dts	L,C,R,SL,SR,LFE	S-DIRECT	AUTO SURR
AAC(5.1ch)		○	○	○	-	○	AAC	L,C,R,SL,SR,LFE	S-DIRECT	AUTO SURR
Dolby D(2ch)		○	-	-	-	○	ⓧ DIGITAL	L,R	S-DIRECT	AUTO SURR
Dolby D(2ch Surr)		○	○	○	-	○	ⓧ DIGITAL, ⓧ SURROUND	L,R,S	S-DIRECT	AUTO SURR
AAC(2ch)		○	-	-	-	○	AAC	L,R	S-DIRECT	AUTO SURR
PCM(Audio)		○	-	-	-	○	PCM	L,R	S-DIRECT	AUTO SURR
PCM 96kHz		○	-	-	-	○	PCM, 96kHz	L,R	S-DIRECT	AUTO SURR
HDCD		○	-	-	-	○	PCM, HDCD	L,R	S-DIRECT	AUTO SURR
Analog		○	-	-	-	○	ANALOG	-	S-DIRECT	AUTO SURR
DTS cinema/music		Dolby D Surr. EX	-	-	-	-	-	(ⓧ DIGITAL)	-	(NO DTS INPUT)
	DTS-ES	○	○	○	-	○	ⓧ dts , ES	L,C,R,SL,SR,S,LFE	DTS CINEMA or DTS MUSIC	
	Dolby D (5.1ch)	-	-	-	-	-	(ⓧ DIGITAL)	-	(NO DTS INPUT)	
	DTS(5.1ch)	○	○	○	-	○	ⓧ dts	L,C,R,SL,SR,LFE	DTS CINEMA or DTS MUSIC	
	AAC(5.1ch)	-	-	-	-	-	(AAC)	-	(NO DTS INPUT)	
	Dolby D(2ch)	-	-	-	-	-	(ⓧ DIGITAL, ⓧ SURROUND)	-	(NO DTS INPUT)	
	Dolby D(2ch Surr)	-	-	-	-	-	(ⓧ DIGITAL, ⓧ SURROUND)	-	(NO DTS INPUT)	
	AAC(2ch)	-	-	-	-	-	(AAC)	-	(NO DTS INPUT)	
	PCM(Audio)	-	-	-	-	-	(PCM)	-	(NO DTS INPUT)	
	PCM 96kHz	-	-	-	-	-	(PCM, (96kHz))	-	(NO DTS INPUT)	
	HDCD	-	-	-	-	-	(PCM)	-	(NO DTS INPUT)	
	Analog	-	-	-	-	-	(ANALOG)	-	(NO DTS INPUT)	
	DTS ES	Dolby D Surr. EX	-	-	-	-	-	(ⓧ DIGITAL)	-	(NO DTS INPUT)
DTS-ES		○	○	○	○	○	ⓧ dts , ES	L,C,R,SL,SR,S,LFE	DTS ES	Disc6.1
Dolby D (5.1ch)		-	-	-	-	-	(ⓧ DIGITAL)	-	(NO DTS INPUT)	
DTS(5.1ch)		○	○	○	○	○	ⓧ dts	L,C,R,SL,SR,LFE	DTS ES	Mtx 6.1
AAC(5.1ch)		-	-	-	-	-	(AAC)	-	(NO DTS INPUT)	
Dolby D(2ch)		-	-	-	-	-	(ⓧ DIGITAL, ⓧ SURROUND)	-	(NO DTS INPUT)	
Dolby D(2ch Surr)		-	-	-	-	-	(ⓧ DIGITAL, ⓧ SURROUND)	-	(NO DTS INPUT)	
AAC(2ch)		-	-	-	-	-	(AAC)	-	(NO DTS INPUT)	
PCM(Audio)		-	-	-	-	-	(PCM)	-	(NO DTS INPUT)	
PCM 96kHz		-	-	-	-	-	(PCM, (96kHz))	-	(NO DTS INPUT)	
HDCD		-	-	-	-	-	(PCM)	-	(NO DTS INPUT)	
Analog		-	-	-	-	-	(ANALOG)	-	(NO DTS INPUT)	
Neo6 cinema/music		Dolby D Surr. EX	○	○	○	-	○	ⓧ DIGITAL	L,C,R,SL,SR,S,LFE	DOLBY D
	DTS-ES	○	○	○	○	○	ⓧ dts ES	L,C,R,SL,SR,S,LFE	DTS ES	Disc6.1
	Dolby D (5.1ch)	○	○	○	-	○	ⓧ DIGITAL	L,C,R,SL,SR,S,LFE	DOLBY D	
	DTS(5.1ch)	○	○	○	-	○	ⓧ dts	L,C,R,SL,SR,LFE	DTS	Mtx 6.1
	AAC(5.1ch)	-	-	-	-	-	AAC	L,C,R,SL,SR,LFE	AAC	
	Dolby D(2ch)	○	○	○	○	○	ⓧ DIGITAL	L,R	NEO 6	
	Dolby D(2ch Surr)	○	○	○	○	○	ⓧ DIGITAL, ⓧ SURROUND	L,R,S	NEO 6	
	AAC(2ch)	○	○	○	○	○	AAC	L,R	NEO 6	
	PCM(Audio)	○	○	○	○	○	PCM	L,R	NEO 6	
	PCM 96kHz	-	-	-	-	-	PCM, (96kHz)	-	NEO 6	
	HDCD	○	○	○	○	○	PCM	-	NEO 6	
	Analog	○	○	○	○	○	ANALOG	-	NEO 6	
	THX	Dolby D Surr. EX	○	○	○	-	○	ⓧ DIGITAL	L,C,R,SL,SR,S,LFE	THX 5.1
DTS-ES		○	○	○	-	○	ⓧ dts , ES	L,C,R,SL,SR,S,LFE	THX 5.1	
Dolby D (5.1ch)		○	○	○	-	○	ⓧ DIGITAL	L,C,R,SL,SR,LFE	THX 5.1	
DTS(5.1ch)		○	○	○	-	○	ⓧ dts	L,C,R,SL,SR,LFE	THX 5.1	
AAC(5.1ch)		○	○	○	-	○	AAC	L,C,R,SL,SR,LFE	THX 5.1	
Dolby D(2ch)		○	○	○	-	○	ⓧ DIGITAL	L,R	THX CINEMA	PLII, MOVIE
Dolby D(2ch Surr)		○	○	○	-	○	ⓧ DIGITAL, ⓧ SURROUND	L,R,S	THX CINEMA	PLII, MOVIE
AAC(2ch)		○	○	○	-	○	AAC	L,R	THX CINEMA	PLII, MOVIE
PCM(Audio)		○	○	○	-	○	PCM	L,R	THX CINEMA	PLII, MOVIE
PCM 96kHz		-	-	-	-	-	PCM, (96kHz)	L,R	THX CINEMA	PLII, MOVIE
HDCD		○	○	○	-	○	PCM	L,R	THX CINEMA	PLII, MOVIE
Analog		○	○	○	-	○	ANALOG	-	THX CINEMA	PLII, MOVIE
THX EX		Dolby D Surr. EX	○	○	○	○	○	ⓧ DIGITAL	L,C,R,SL,SR,S,LFE	THX SUR EX
	DTS-ES	○	○	○	○	○	ⓧ dts , ES	L,C,R,SL,SR,S,LFE	THX SUR EX	THX Surr EX
	Dolby D (5.1ch)	○	○	○	○	○	ⓧ DIGITAL	L,C,R,SL,SR,LFE	THX SUR EX	THX Surr EX
	DTS(5.1ch)	○	○	○	○	○	ⓧ dts	L,C,R,SL,SR,LFE	THX SUR EX	THX Surr EX
	AAC(5.1ch)	○	○	○	○	○	AAC	L,C,R,SL,SR,LFE	THX SUR EX	THX Surr EX
	Dolby D(2ch)	○	○	○	-	○	ⓧ DIGITAL	L,R	THX CINEMA	THX Surr EX, PLII, MOVIE
	Dolby D(2ch Surr)	○	○	○	-	○	ⓧ DIGITAL, ⓧ SURROUND	L,R,S	THX CINEMA	THX Surr EX, PLII, MOVIE
	AAC(2ch)	○	○	○	-	○	AAC	L,R	THX CINEMA	THX Surr EX, PLII, MOVIE
	PCM(Audio)	○	○	○	-	○	PCM	L,R	THX CINEMA	THX Surr EX, PLII, MOVIE
	PCM 96kHz	-	-	-	-	-	PCM, (96kHz)	L,R	THX CINEMA	THX Surr EX, PLII, MOVIE
	HDCD	○	○	○	-	○	PCM	L,R	THX CINEMA	THX Surr EX, PLII, MOVIE
	Analog	○	○	○	-	○	ANALOG	-	THX CINEMA	THX Surr EX, PLII, MOVIE

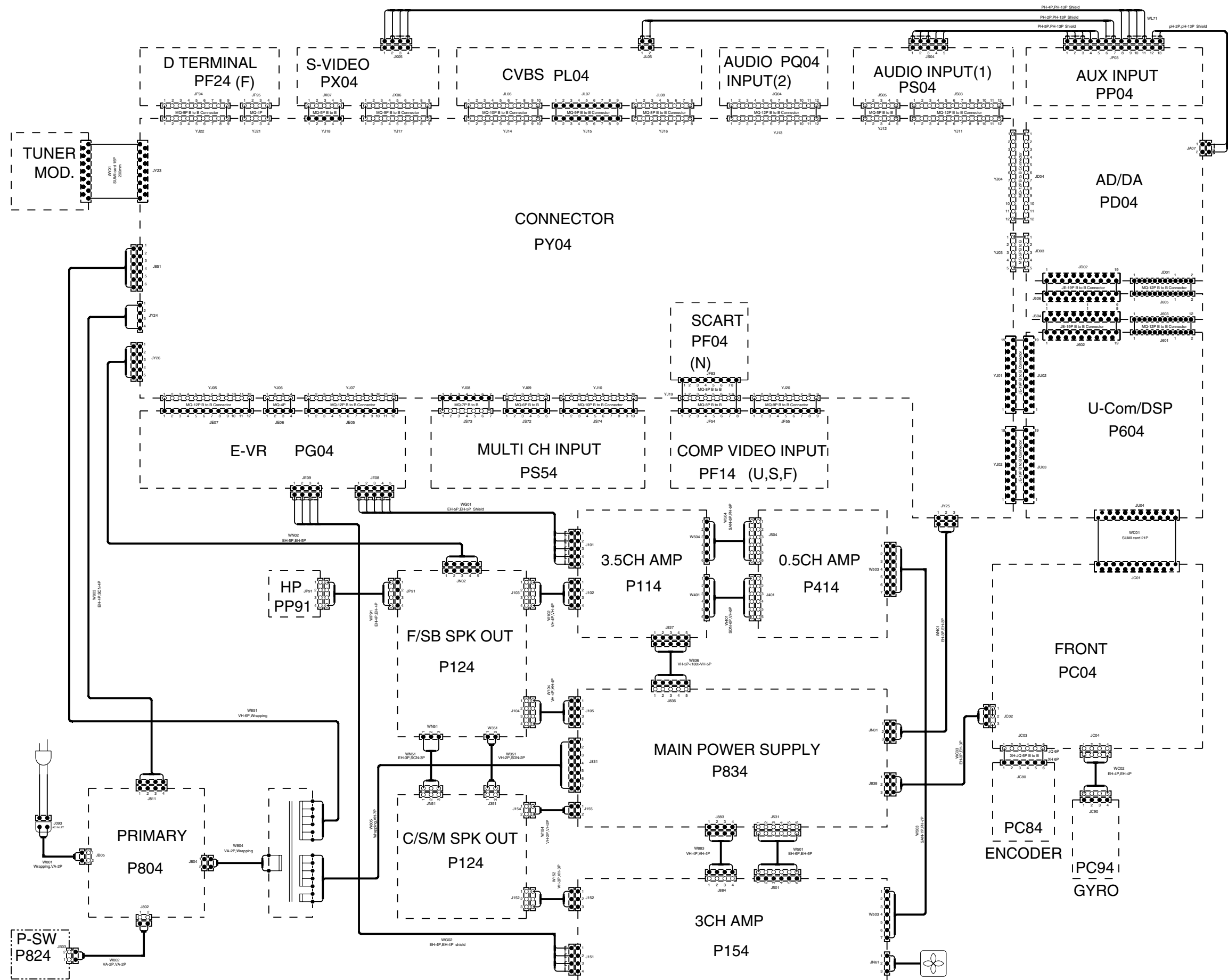
Surround Mode	Input Signal	Output Channel					Signal format indicators	Channel status	Front information display	
		L/R	C	SL SR	SBL SBR	SubW			Dot matrix display	Segments
DOLBY (PL2-movie) (PL2-music) (PL2-PL)	Dolby D Surr. EX	○	○	○	○	○	DIGITAL	L,C,R,SL,SR,S,LFE	DOLBY D	
	DTS-ES	-	-	-	-	-	(dts , ES)	L,C,R,SL,SR,S,LFE	DOLBY D	
	Dolby D (5.1ch)	○	○	○	-	○	DIGITAL	L,C,R,SL,SR,LFE	DOLBY D	
	DTS(5.1ch)	-	-	-	-	-	(dts)	L,C,R,SL,SR,LFE	DOLBY D	
	AAC(5.1ch)	○	○	○	-	○	AAC	L,C,R,SL,SR,LFE	AAC	
	Dolby D(2ch)	○	○	○	-	○	DIGITAL	L,R	DOLBY PL2	PLII, MOVIE or MUSIC or PL
	Dolby D(2ch Surr)	○	○	○	-	○	DIGITAL, SURROUND	L,R,S	DOLBY PL2	PLII, MOVIE or MUSIC or PL
	AAC(2ch)	○	○	○	-	○	AAC	L,R	DOLBY PL2	PLII, MOVIE or MUSIC or PL
	PCM(Audio)	○	○	○	-	○	PCM	L,R	DOLBY PL2	PLII, MOVIE or MUSIC or PL
	PCM 96kHz	-	-	-	-	-	PCM, (96kHz)	L,R	DOLBY D	PLII, MOVIE or MUSIC or PL
	HDCD	○	○	○	-	○	PCM	L,R	DOLBY PL2	PLII, MOVIE or MUSIC or PL
	Analog	○	○	○	-	○	ANALOG	-	DOLBY PL2	PLII, MOVIE or MUSIC or PL
CS5.1 cinema/music	Dolby D Surr. EX	○	○	○	-	○	(DIGITAL)	L,C,R,SL,SR,S,LFE	DOLBY D	
	DTS-ES	○	○	○	-	○	dts , ES	L,C,R,SL,SR,S,LFE	DTS-ES	
	Dolby D (5.1ch)	○	○	○	-	○	DIGITAL	L,C,R,SL,SR,LFE	DOLBY D	
	DTS(5.1ch)	○	○	○	-	○	dts	L,C,R,SL,SR,LFE	DTS cinema	
	AAC(5.1ch)	○	○	○	-	○	AAC	L,C,R,SL,SR,LFE	CS5.1	● MUSIC or CINEMA
	Dolby D(2ch)	○	○	○	-	○	DIGITAL	L,R	CS5.1	● MUSIC or CINEMA
	Dolby D(2ch Surr)	○	○	○	-	○	DIGITAL, SURROUND	L,R,S	CS5.1	● MUSIC or CINEMA
	AAC(2ch)	○	○	○	-	○	AAC	L,R	CS5.1	● MUSIC or CINEMA
	PCM(Audio)	○	○	○	-	○	PCM	L,R	CS5.1	● MUSIC or CINEMA
	PCM 96kHz	-	-	-	-	-	PCM, (96kHz)	L,R	CS5.1	● MUSIC or CINEMA
	HDCD	○	○	○	-	○	PCM	L,R	CS5.1	● MUSIC or CINEMA
	Analog	○	○	○	-	○	ANALOG	-	CS5.1	● MUSIC or CINEMA
STEREO	Dolby D Surr. EX	○	-	-	-	○	DIGITAL	L,C,R,SL,SR,S,LFE	STEREO	
	DTS-ES	○	-	-	-	○	dts , ES	L,C,R,SL,SR,S,LFE	STEREO	
	Dolby D (5.1ch)	○	-	-	-	○	DIGITAL	L,C,R,SL,SR,LFE	STEREO	
	DTS(5.1ch)	○	-	-	-	○	dts	L,C,R,SL,SR,LFE	STEREO	
	AAC(5.1ch)	○	-	-	-	○	AAC	L,C,R,SL,SR,LFE	STEREO	
	Dolby D(2ch)	○	-	-	-	○	DIGITAL	L,R	STEREO	
	Dolby D(2ch Surr)	○	-	-	-	○	DIGITAL, SURROUND	L,R,S	STEREO	
	AAC(2ch)	○	-	-	-	○	AAC	L,R	STEREO	
	PCM(Audio)	○	-	-	-	○	PCM	L,R	STEREO	
	PCM 96kHz	○	-	-	-	○	PCM, 96kHz	L,R	STEREO	
	HDCD	○	-	-	-	○	PCM, HDCD	L,R	STEREO	
	Analog	○	-	-	-	○	ANALOG	-	STEREO	
Virtual	Dolby D Surr. EX	○	-	-	-	○	DIGITAL	L,C,R,SL,SR,S,LFE	VIRTUAL	
	DTS-ES	○	-	-	-	○	dts , ES	L,C,R,SL,SR,S,LFE	VIRTUAL	
	Dolby D (5.1ch)	○	-	-	-	○	DIGITAL	L,C,R,SL,SR,LFE	VIRTUAL	
	DTS(5.1ch)	○	-	-	-	○	dts	L,C,R,SL,SR,LFE	VIRTUAL	
	AAC(5.1ch)	○	-	-	-	○	AAC	L,C,R,SL,SR,LFE	VIRTUAL	
	Dolby D(2ch)	○	-	-	-	○	DIGITAL	L,R	VIRTUAL	
	Dolby D(2ch Surr)	○	-	-	-	○	DIGITAL, SURROUND	L,R,S	VIRTUAL	
	AAC(2ch)	○	-	-	-	○	AAC	L,R	VIRTUAL	
	PCM(Audio)	○	-	-	-	○	PCM	L,R	VIRTUAL	
	PCM 96kHz	-	-	-	-	-	PCM, (96kHz)	L,R	VIRTUAL	
	HDCD	○	-	-	-	○	PCM	L,R	VIRTUAL	
	Analog	○	-	-	-	○	ANALOG	-	VIRTUAL	
Multi Ch. Stereo	Dolby D Surr. EX	○	○	○	○	○	DIGITAL	L,C,R,SL,SR,S,LFE	M-CH ST	
	DTS-ES	○	○	○	○	○	dts , ES	L,C,R,SL,SR,S,LFE	M-CH ST	
	Dolby D (5.1ch)	○	○	○	○	○	DIGITAL	L,C,R,SL,SR,LFE	M-CH ST	
	DTS(5.1ch)	○	○	○	○	○	dts	L,C,R,SL,SR,LFE	M-CH ST	
	AAC(5.1ch)	○	○	○	○	○	AAC	L,C,R,SL,SR,LFE	M-CH ST	
	Dolby D(2ch)	○	○	○	○	○	DIGITAL	L,R	M-CH ST	
	Dolby D(2ch Surr)	○	○	○	○	○	DIGITAL, SURROUND	L,R,S	M-CH ST	
	AAC(2ch)	○	○	○	○	○	AAC	L,R	M-CH ST	
	PCM(Audio)	○	○	○	○	○	PCM	L,R	M-CH ST	
	PCM 96kHz	-	-	-	-	-	PCM, (96kHz)	L,R	M-CH ST	
	HDCD	○	○	○	○	○	PCM	L,R	M-CH ST	
	Analog	○	○	○	○	○	ANALOG	-	M-CH ST	
MOVIE HALL MATRIX	Dolby D Surr. EX	○	○	○	-	○	DIGITAL	L,C,R,SL,SR,S,LFE	MOVIE, HALL, MATRIX	
	DTS-ES	○	○	○	-	○	dts , ES	L,C,R,SL,SR,S,LFE	MOVIE, HALL, MATRIX	
	Dolby D (5.1ch)	○	○	○	-	○	DIGITAL	L,C,R,SL,SR,LFE	MOVIE, HALL, MATRIX	
	DTS(5.1ch)	○	○	○	-	○	dts	L,C,R,SL,SR,LFE	MOVIE, HALL, MATRIX	
	AAC(5.1ch)	○	○	○	-	○	AAC	L,C,R,SL,SR,LFE	MOVIE, HALL, MATRIX	
	Dolby D(2ch)	○	○	○	-	○	DIGITAL	L,R	MOVIE, HALL, MATRIX	
	Dolby D(2ch Surr)	○	○	○	-	○	DIGITAL, SURROUND	L,R,S	MOVIE, HALL, MATRIX	
	AAC(2ch)	○	○	○	-	○	AAC	L,R	MOVIE, HALL, MATRIX	
	PCM(Audio)	○	○	○	-	○	PCM	L,R	MOVIE, HALL, MATRIX	
	PCM 96kHz	-	-	-	-	-	PCM, (96kHz)	L,R	MOVIE, HALL, MATRIX	
	HDCD	○	○	○	-	○	PCM	L,R	MOVIE, HALL, MATRIX	
	Analog	○	○	○	-	○	ANALOG	-	MOVIE, HALL, MATRIX	

Remark : Bass signal output from Sub Woofer terminal for SR9200 / SR8200 / PS9200.

Sub woofer output is not active while all surround modes. Please refer to the following table.

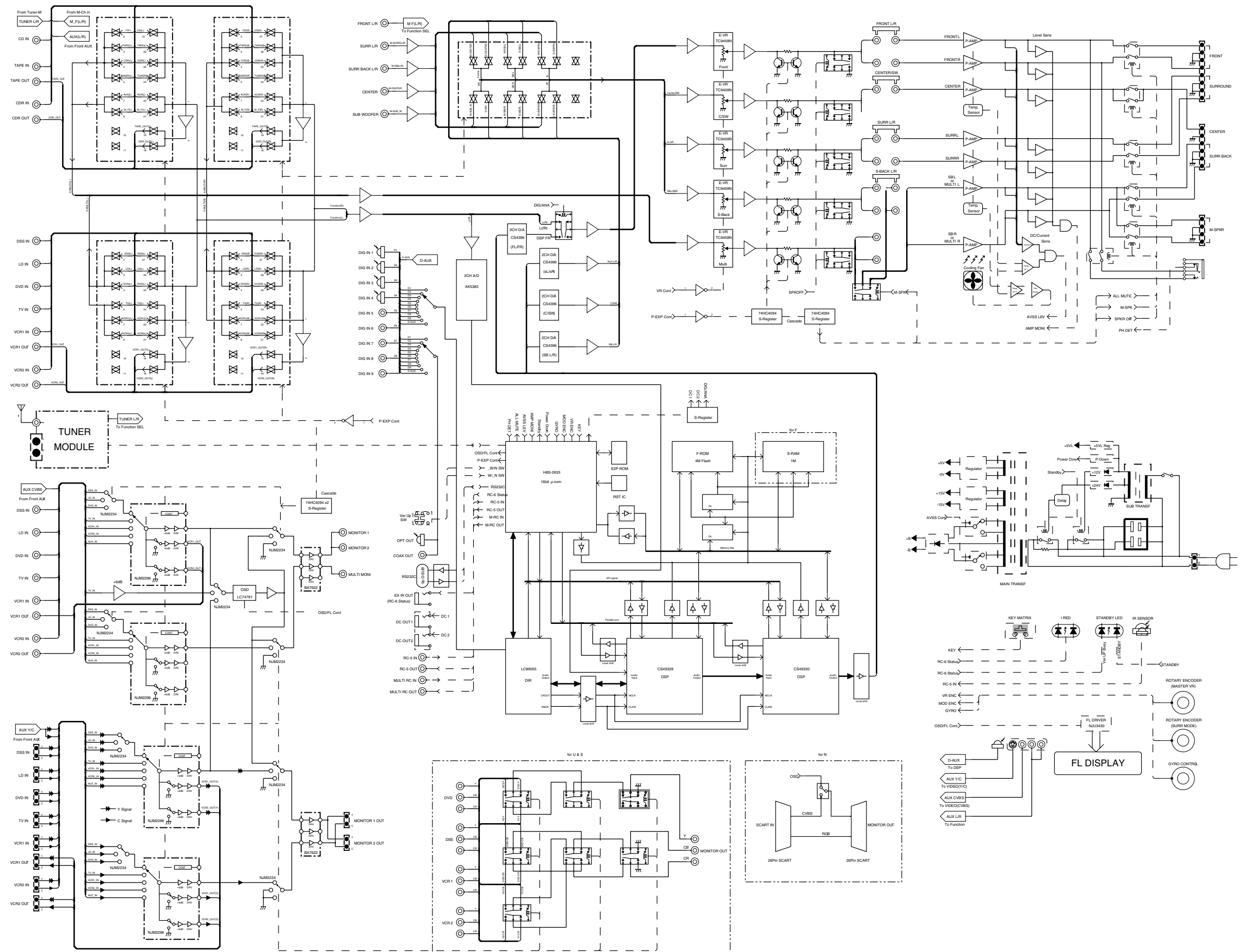
SPK setup					ZR38601	SubWoofer Output by Surround mode						
Sub Woofer	Front	Center	Surr. L/R	Surr.B (L/R)	Bass CFG #	THX Surr EX, DTS ES	THX5.1, Dolby-D, DTS	PL2, CS, Neo6	Stereo	AUTO (PCM, Ana) AUTO(AC-3,DTS) (AC-3:2ch_karaoke)		
ON	Large	Large	Large	Large	1	LFE	LFE	none	L+R	LFE		
			Small	Small	14	LFE+Sb	LFE					
			Large	Large	3	LFE+SL+SR	LFE+SL+SR	none	L+R	LFE+SL+SR	L+R	
			Small	Small	16	LFE+SL+SR+Sb	LFE+SL+SR					
			None	(prohibit)	1	LFE	LFE	none	L+R	LFE	L+R	
			Large	Large	5	LFE+C	LFE+C	C	L+R	LFE+C	L+R	
			Small	Small	18	LFE+C+Sb	LFE+C					
			Large	Large	8	LFE+C+SL+SR	LFE+C+SL+SR	C	L+R	LFE+C+SL+SR	L+R	
		Small	Small	21	LFE+C+SL+SR+Sb	LFE+C+SL+SR						
		None	(prohibit)	5	LFE+C	LFE+C	C	L+R	LFE+C	L+R		
		None	Large	Large	1	LFE	LFE	none	L+R	LFE	L+R	
			Small	Small	14	LFE+Sb	LFE					
			Large	Large	3	LFE+SL+SR	LFE+SL+SR	none	L+R	LFE+SL+SR	L+R	
			Small	Small	16	LFE+SL+SR+Sb	LFE+SL+SR					
			None	(prohibit)	1	LFE	LFE	none	L+R	LFE	L+R	
			Large	Large	12	LFE+L+R	LFE+L+R	L+R	L+R	LFE+L+R	L+R	
	Small		Small	25	LFE+L+R+Sb	LFE+L+R						
	Large		Large	11	LFE+L+R+SL+SR	LFE+L+R+SL+SR	L+R	L+R	LFE+L+R+SL+SR	L+R		
	Small	Large	Small	Large	Large	24	LFE+L+R+SL+SR+Sb	LFE+L+R+SL+SR				
				Small	Small	12	LFE+L+R	LFE+L+R	L+R	L+R	LFE+L+R	L+R
				Large	Large	10	LFE+L+R+C	LFE+L+R+C	L+R+C	L+R	LFE+L+R+C	L+R
				Small	Small	23	LFE+L+R+C+Sb					
			None	Large	Large	0	LFE+L+R+C+SL+SR	LFE+L+R+C+SL+SR	L+R+C	L+R	LFE+L+R+C+SL+SR	L+R
				Small	Small	13	LFE+L+R+C+SL+SR+Sb					
				None	(prohibit)	10	LFE+L+R+C	LFE+L+R+C	L+R+C	L+R	LFE+L+R+C	L+R
				Large	Large	12	LFE+L+R	LFE+L+R	L+R	L+R	LFE+L+R	L+R
		None	Small	Large	Large	Large	25	LFE+L+R+Sb				
					Small	Small	11	LFE+SL+SR	LFE+SL+SR	L+R	L+R	LFE+SL+SR
				None	Large	Large	24	LFE+SL+SR+Sb				
					Small	Small	12	LFE+L+R	LFE+L+R	L+R	L+R	LFE+L+R

2. WIRING DIAGRAM

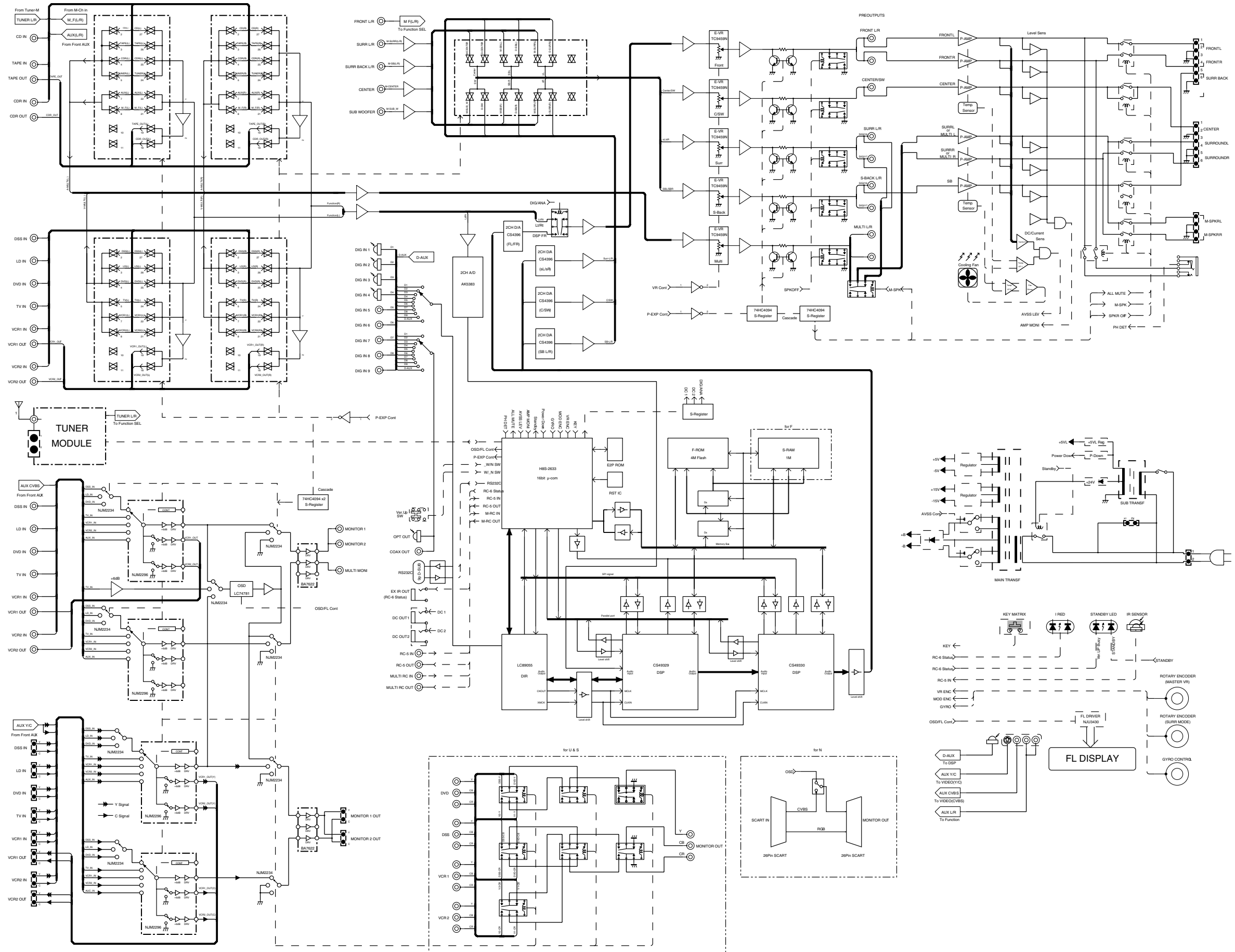


3. BLOCK DIAGRAM

SR9200 / PS9200

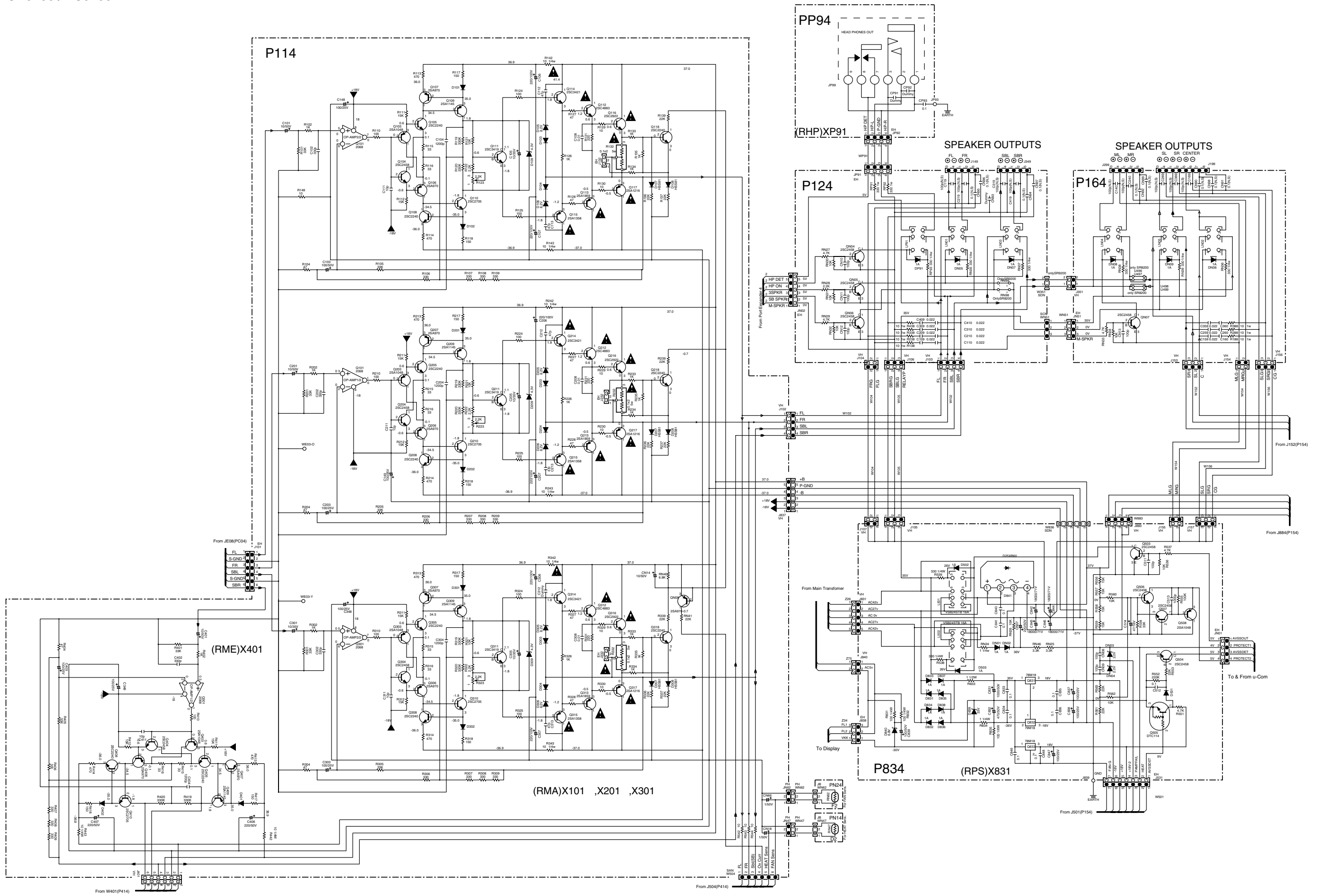


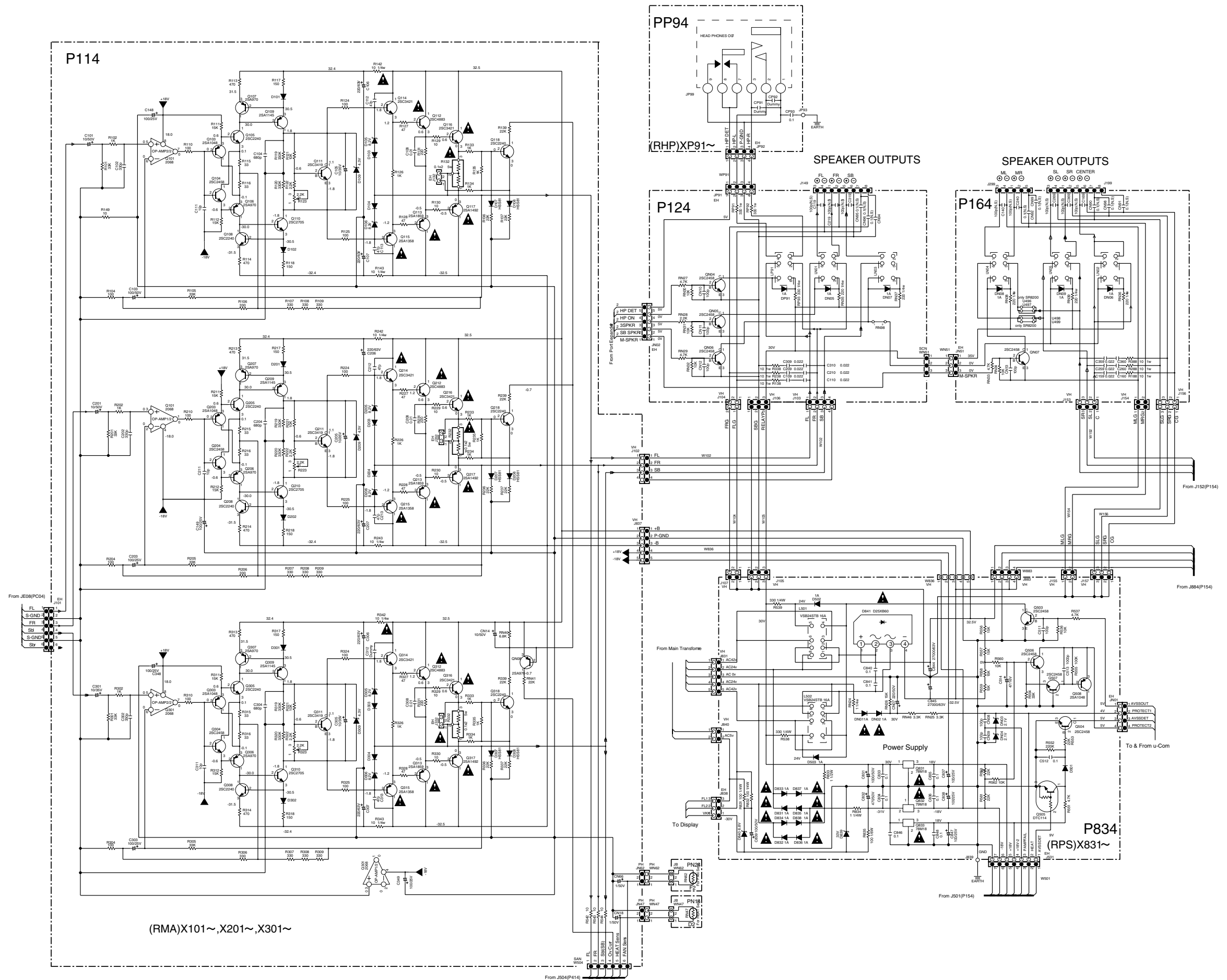
SR8200

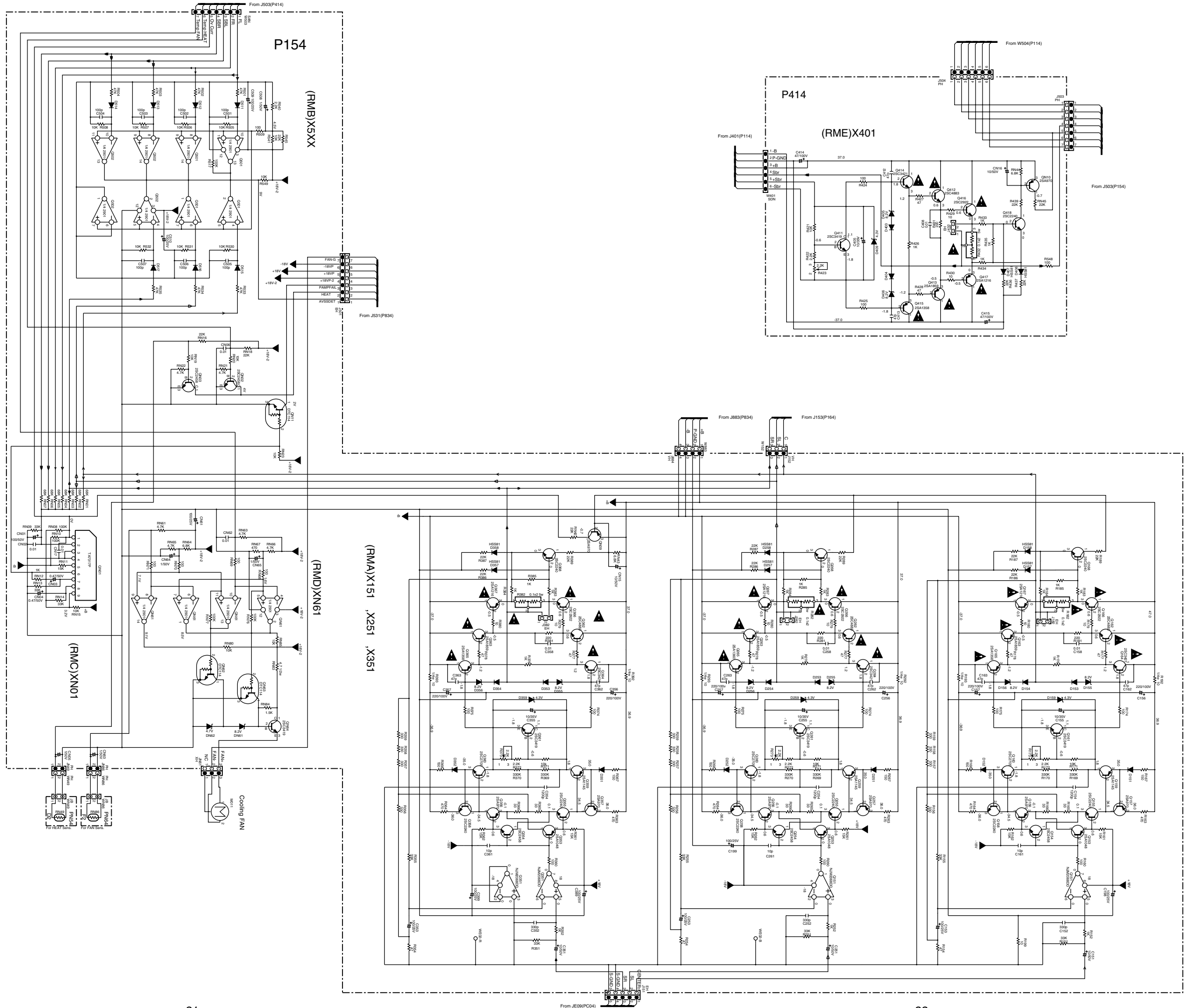


4. SCHEMATIC DIAGRAM

SR9200 / PS9200

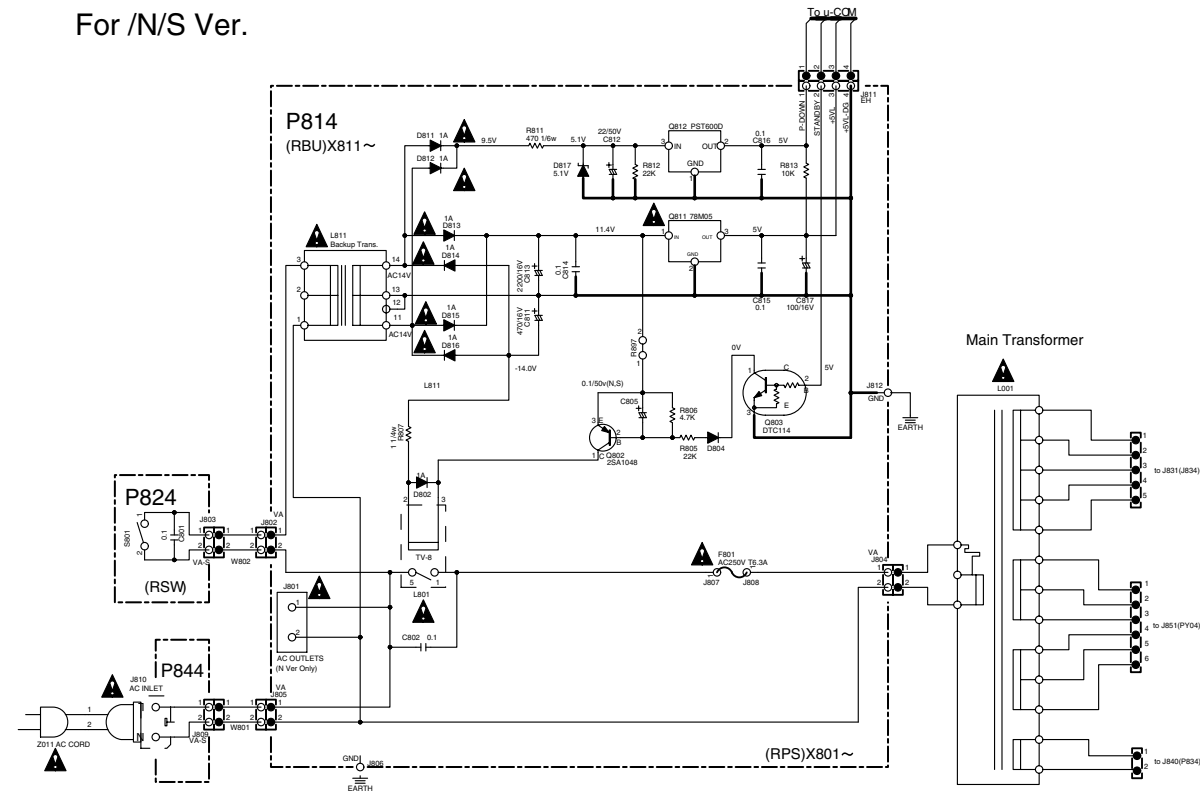




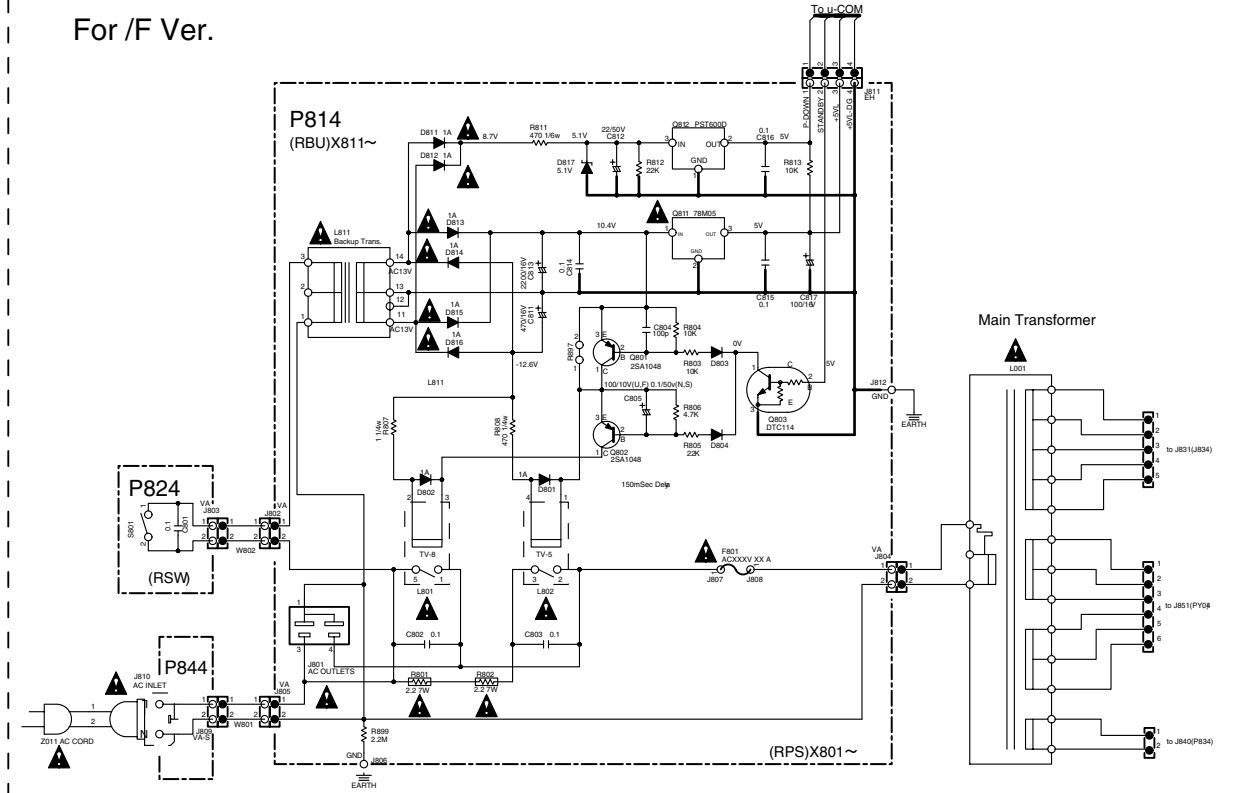


SR9200 / PS9200

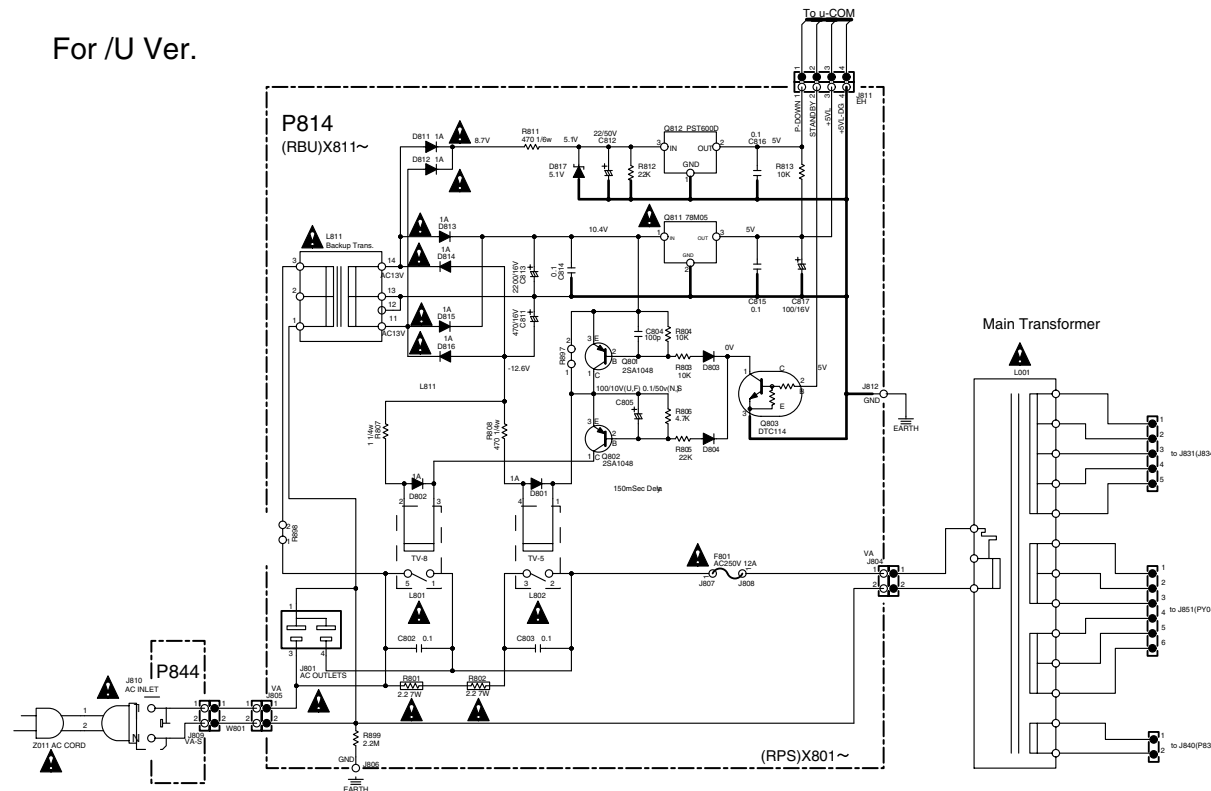
For /N/S Ver.



For /F Ver.

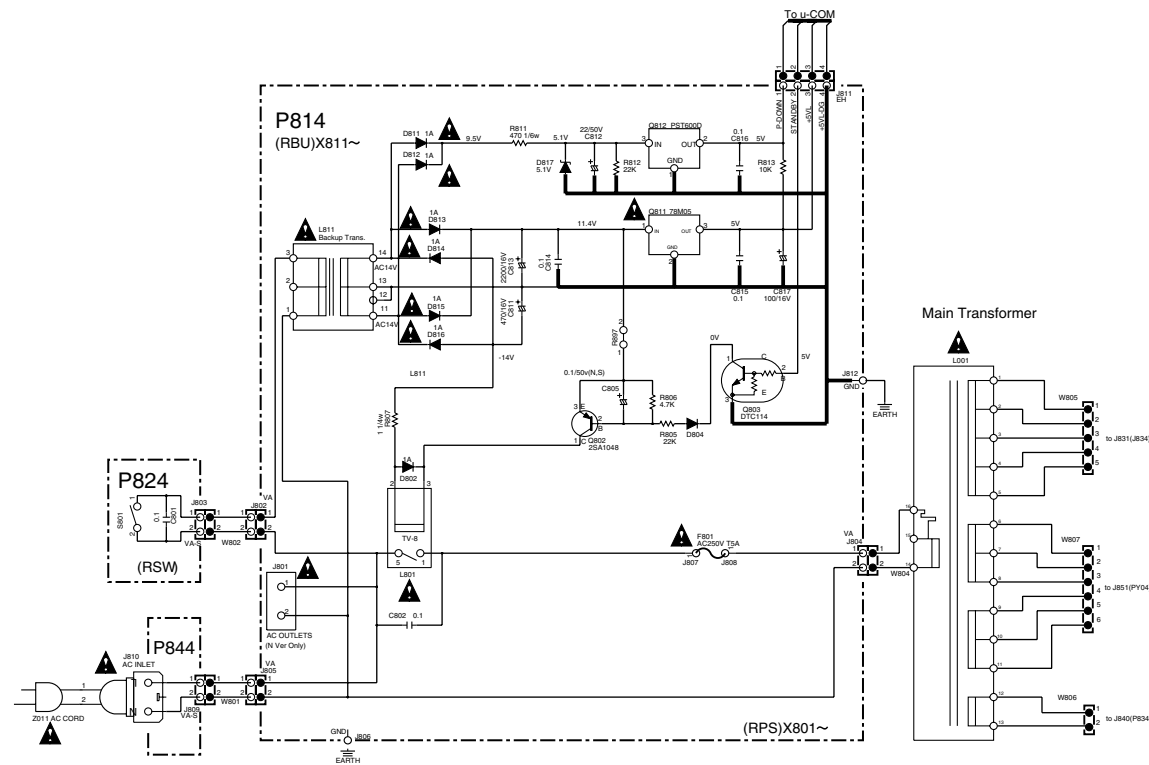


For /U Ver.

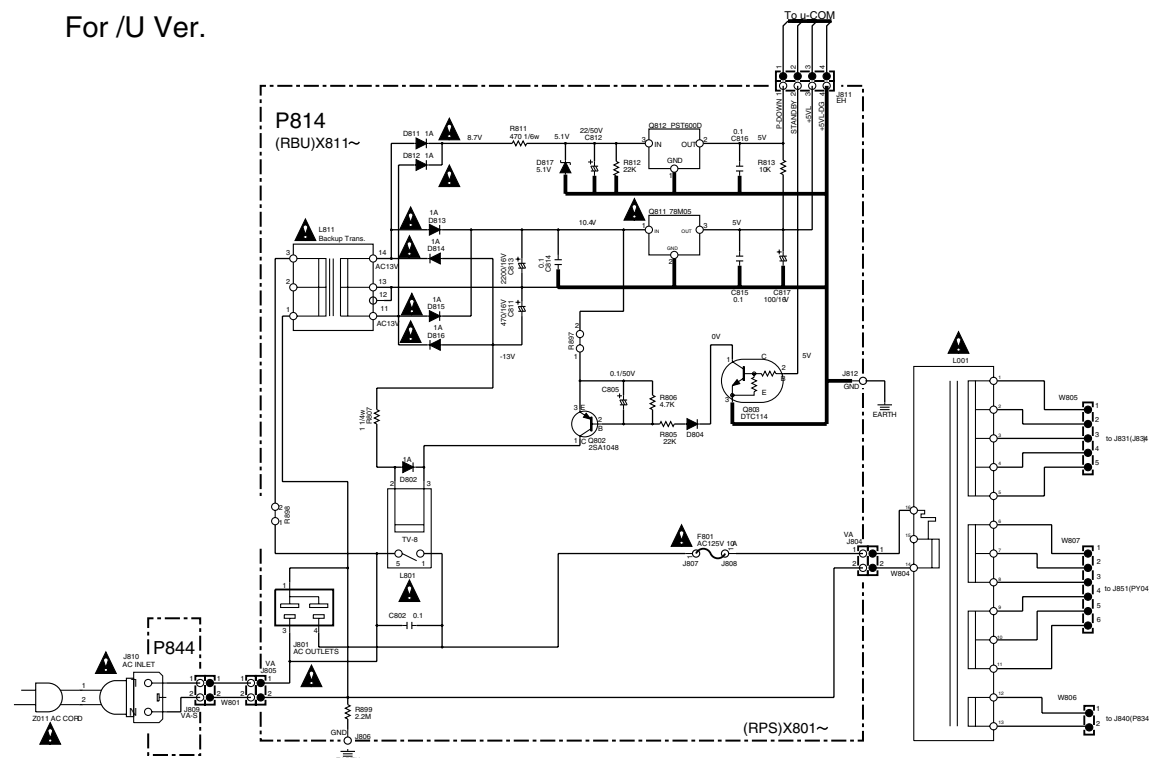


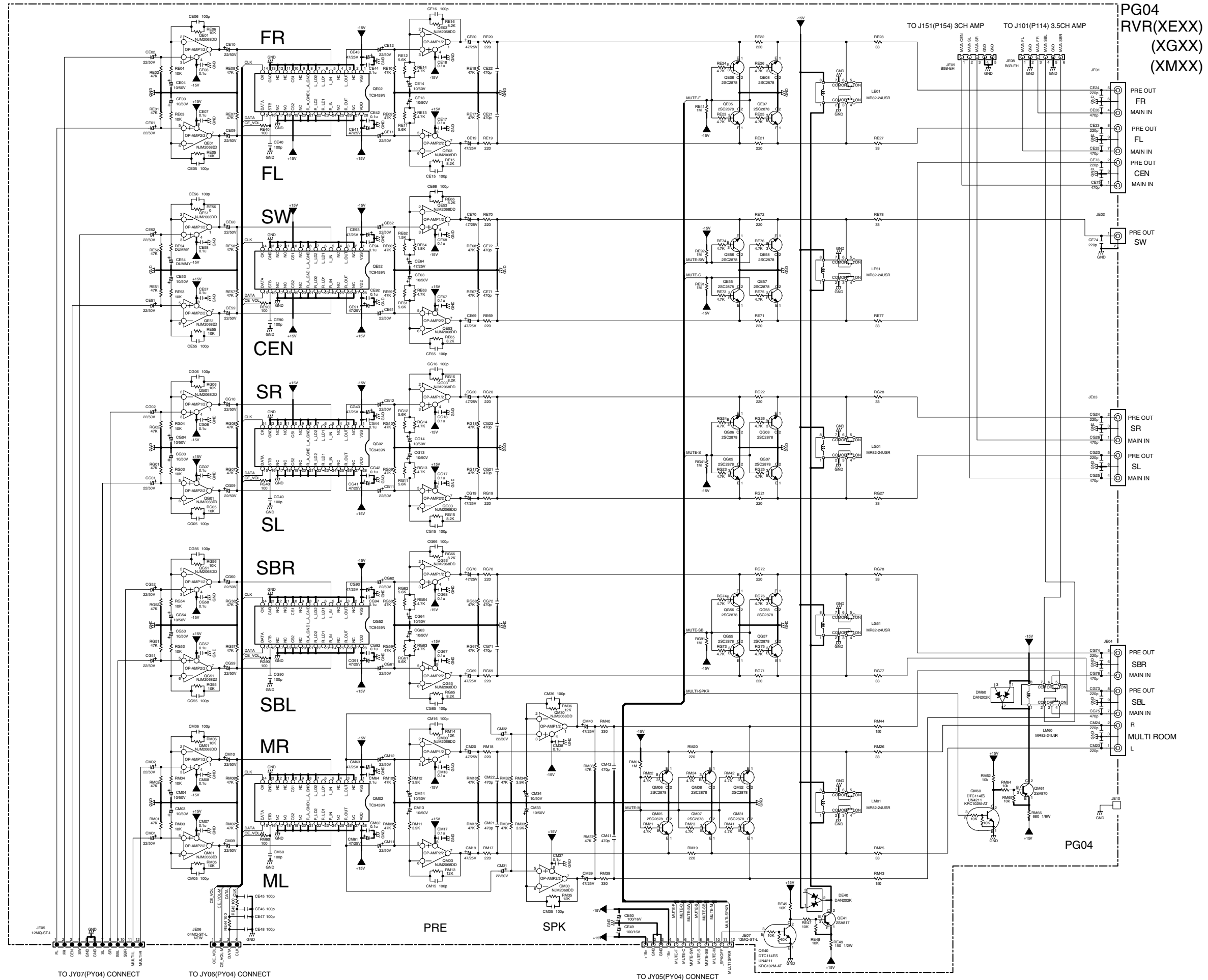
SR8200

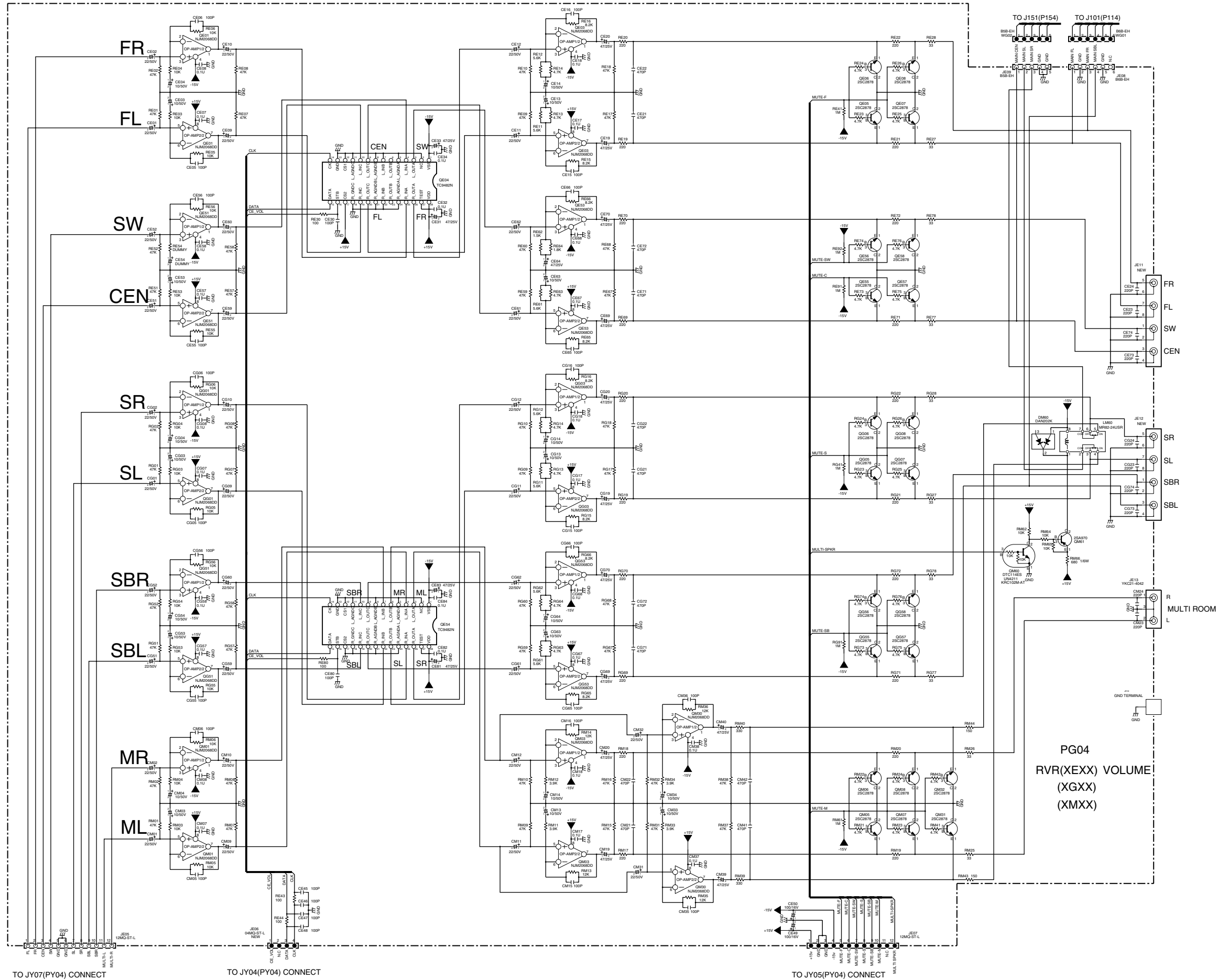
For /N/S Ver.

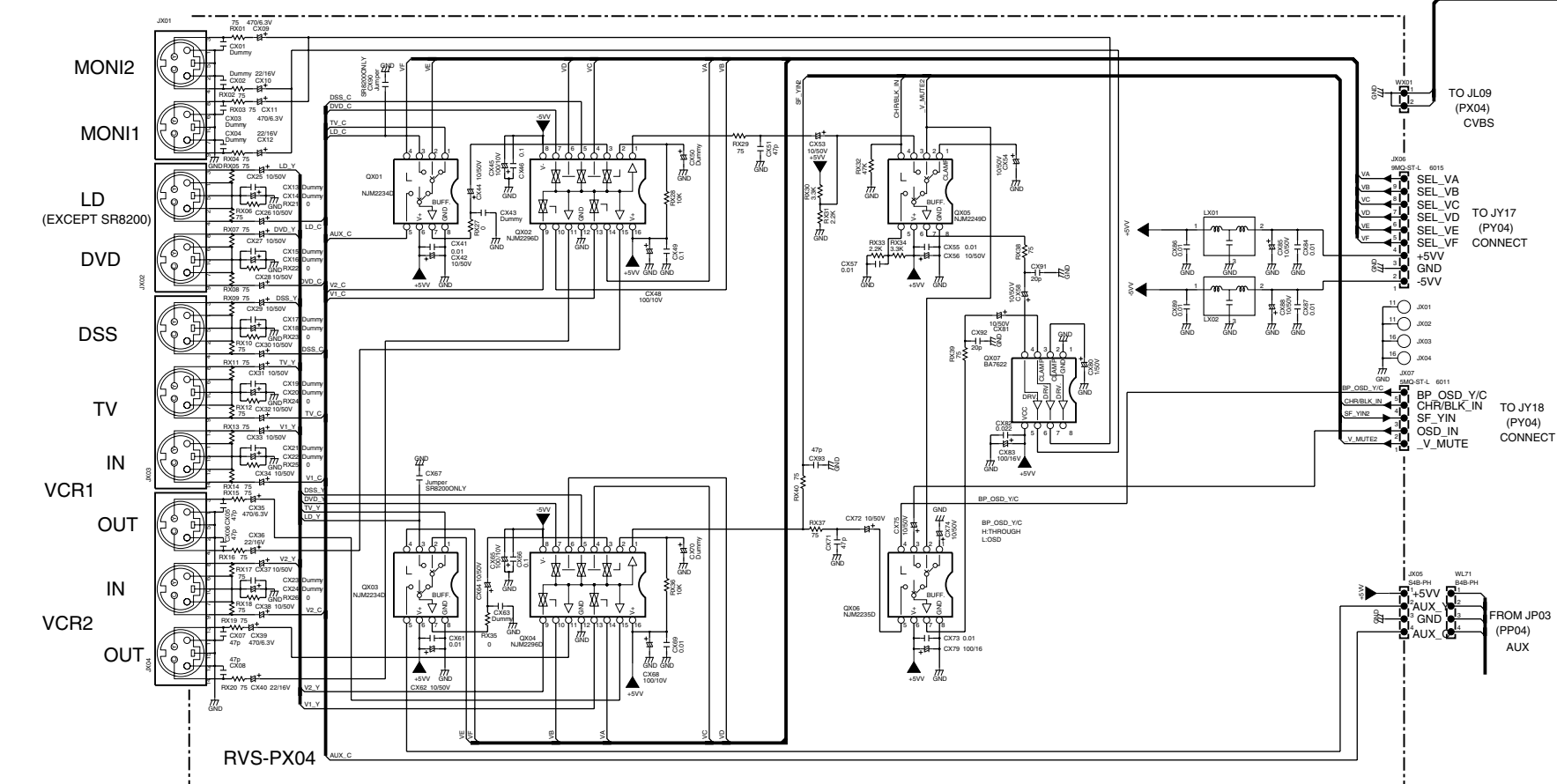
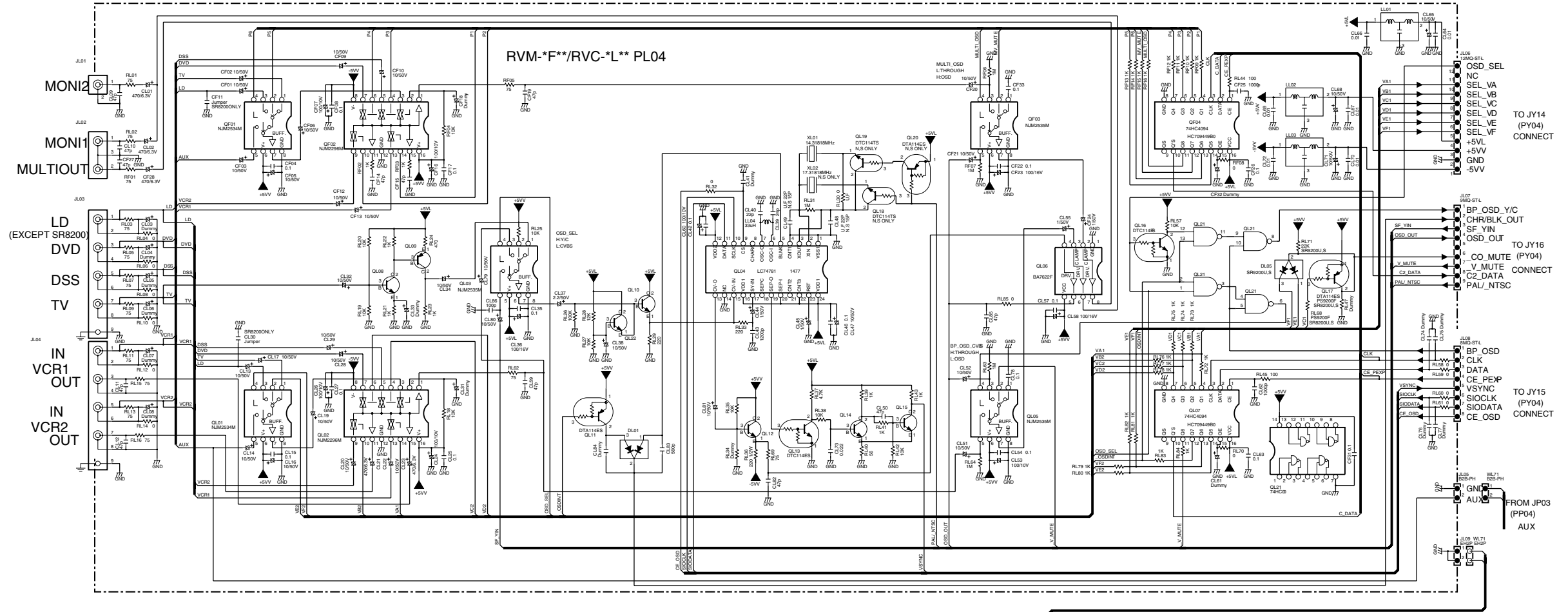


For /U Ver.



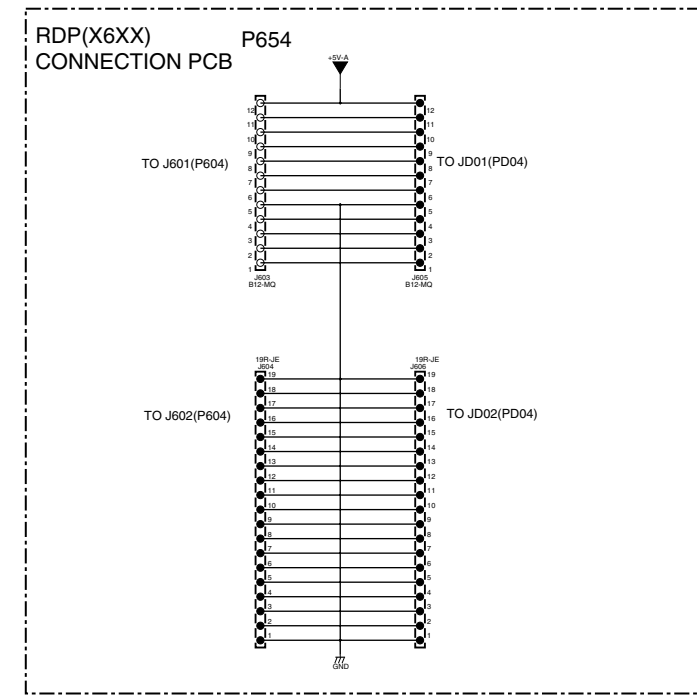
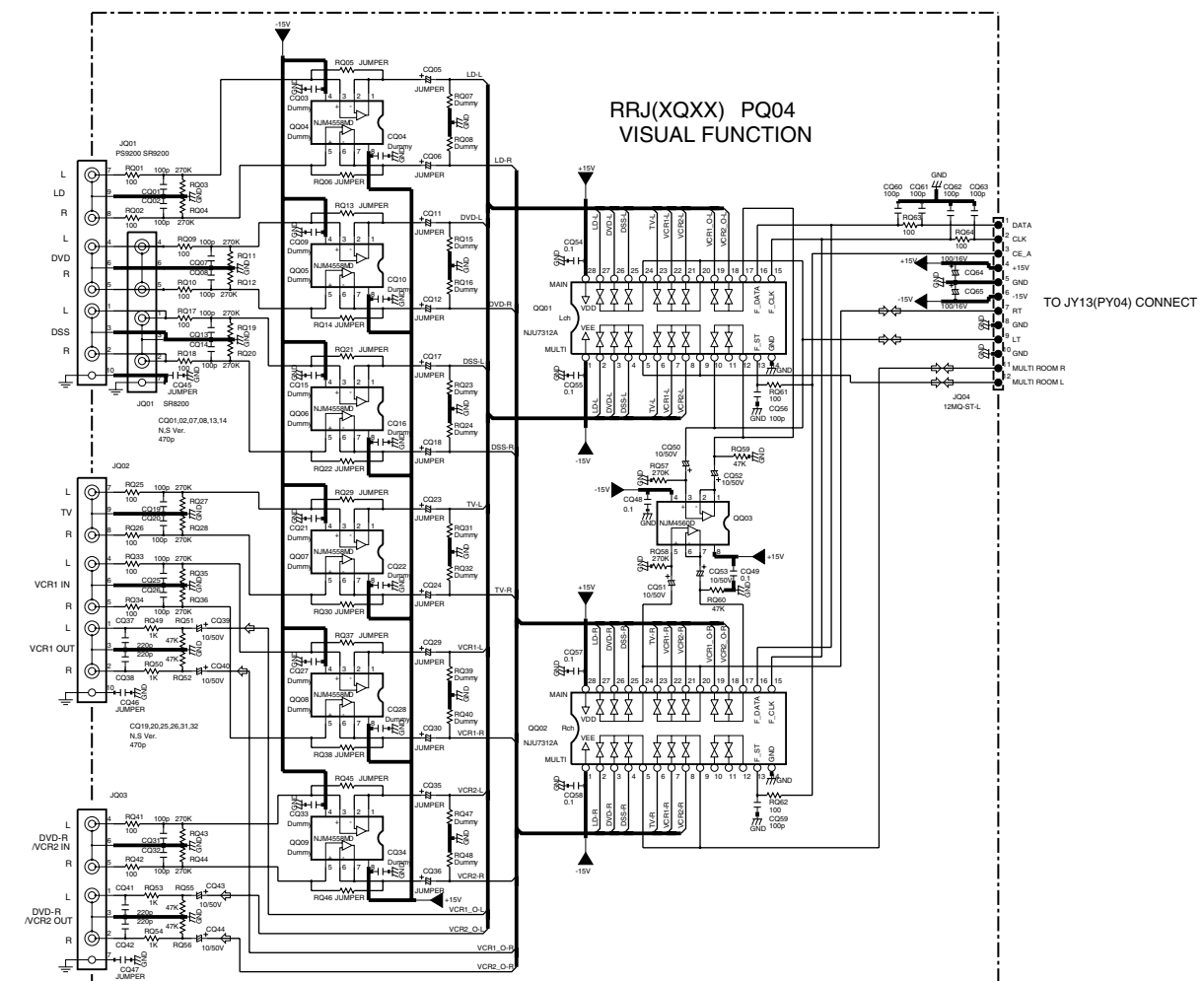
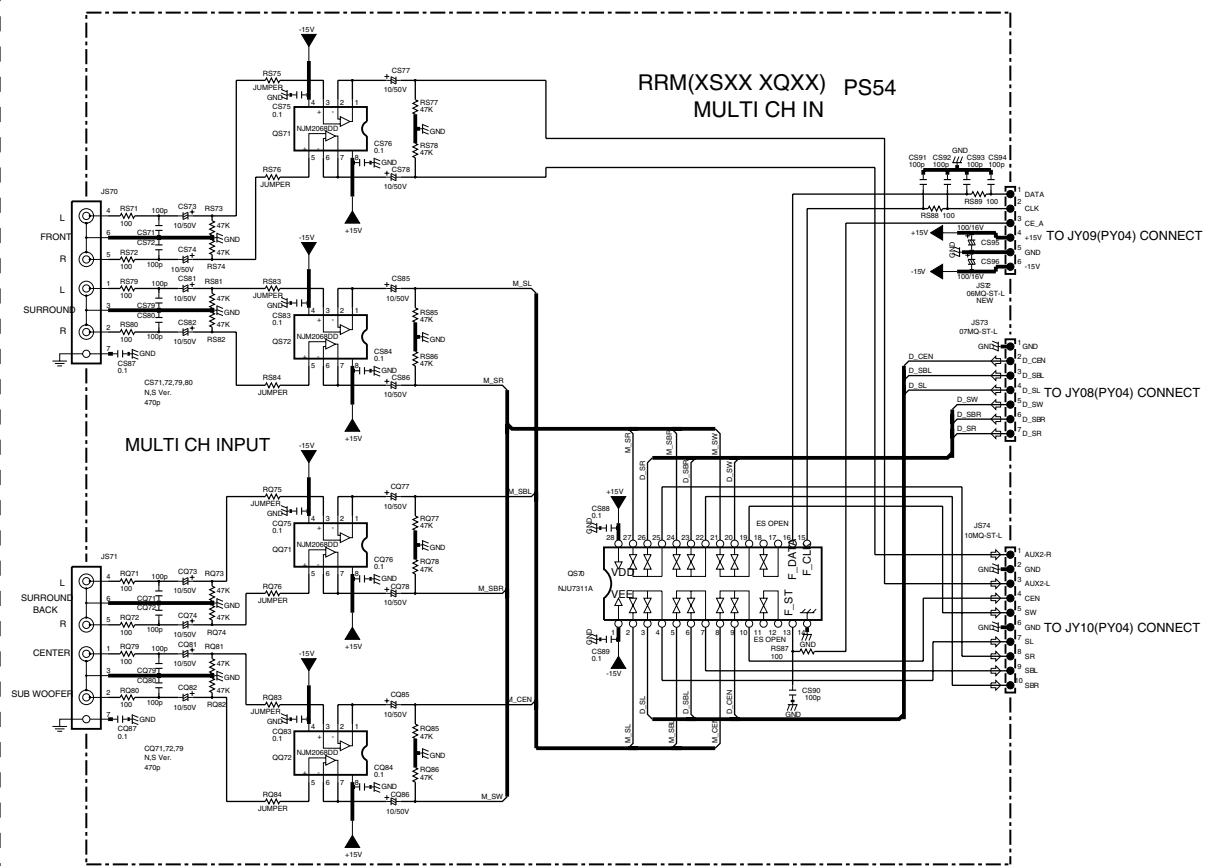
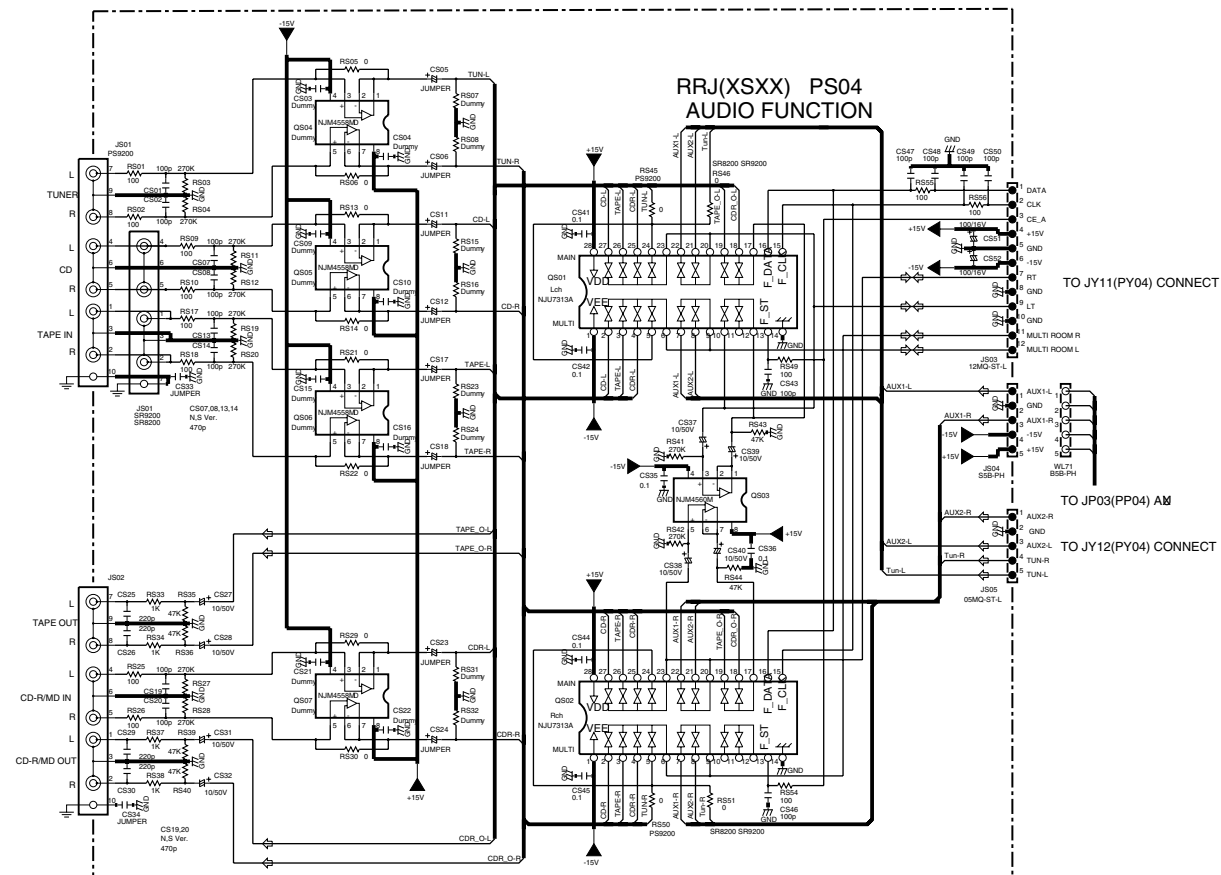


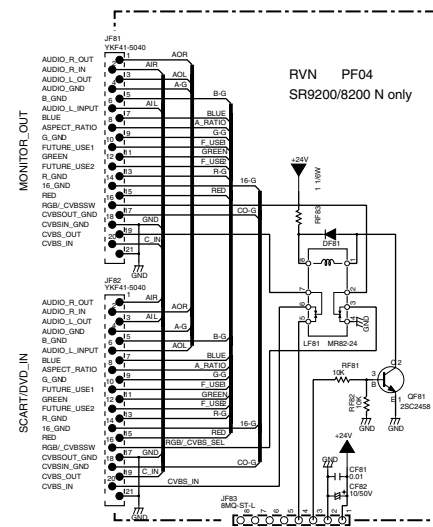
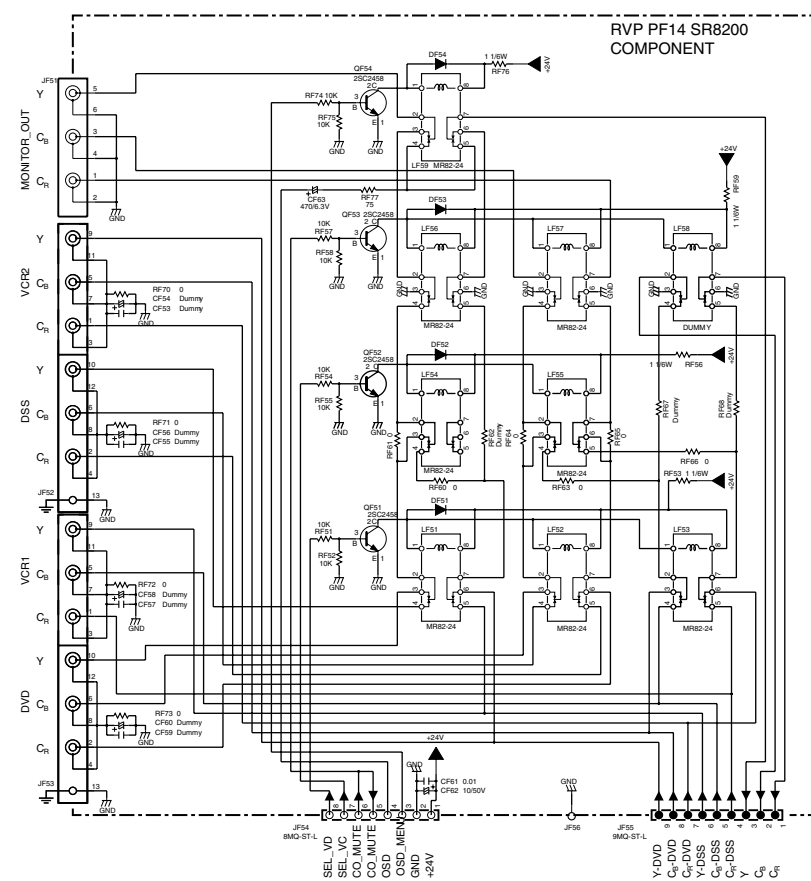
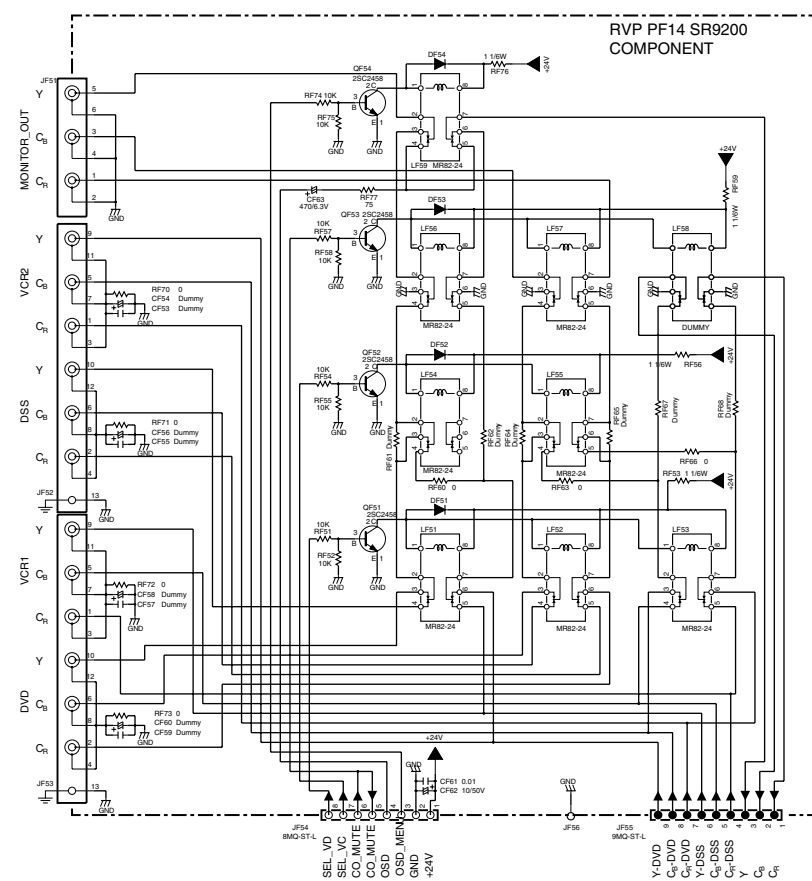
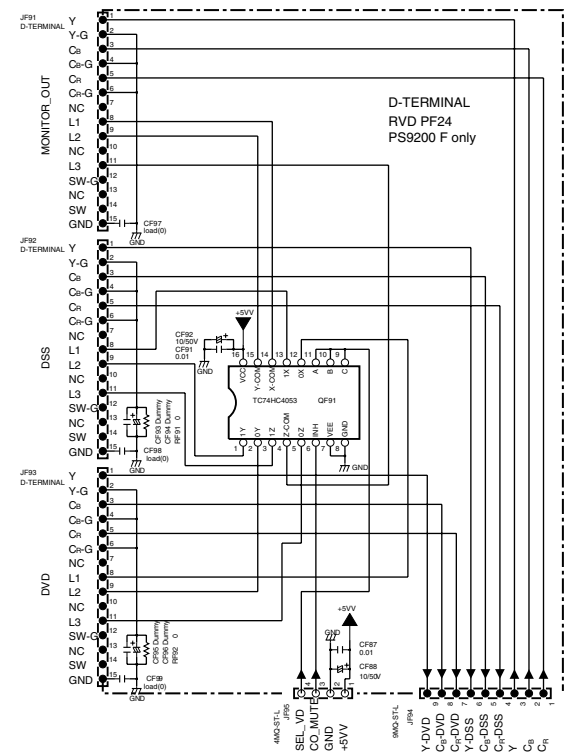
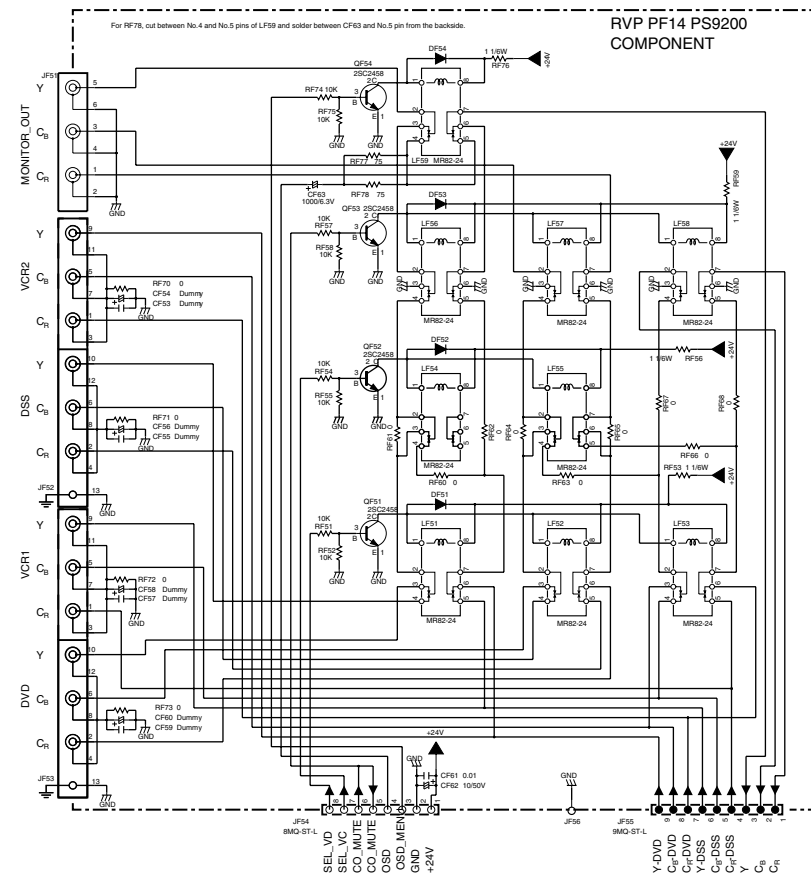
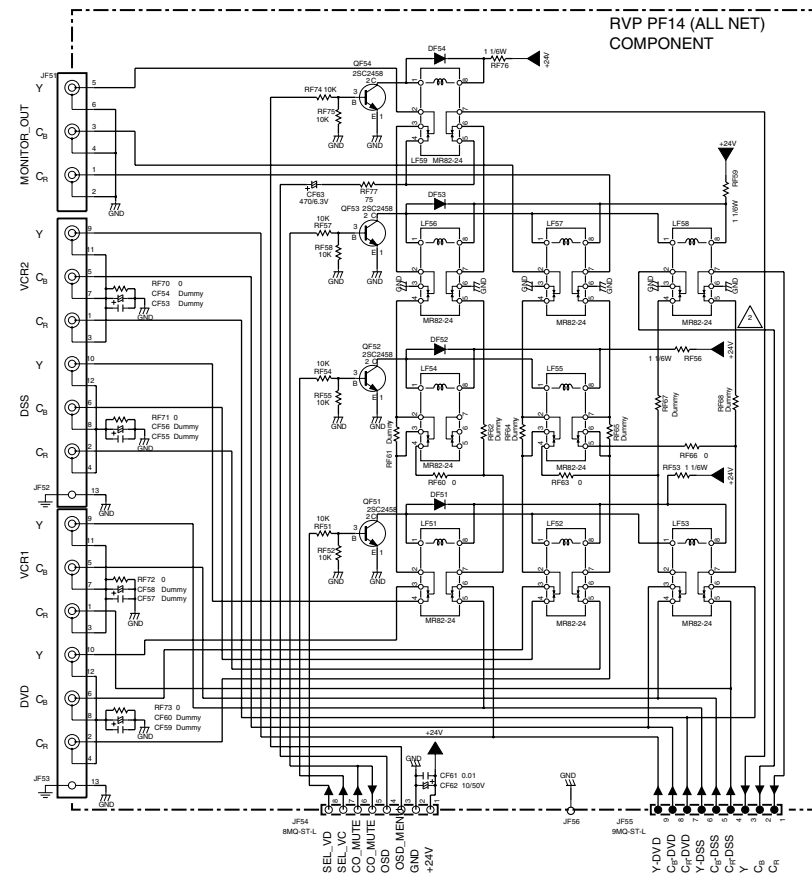




MAIN ROOM CONTROL							MULTI ROOM CONTROL						
	VA	VB	VC	VD	VE	VF		VA	VB	VC	VD	VE	VF
TV	H	H	H	H	L	L	TV	H	H	H	H	L	L
DVD	H	H	L	L	H	H	DVD	H	H	L	L	*	*
LD	H	H	H	H	H	L	LD	H	H	H	H	H	L
VCR1	L	H	H	H	H	H	VCR1	L	L	L	L	*	*
VCR2	H	L	H	L	H	H	VCR2	H	L	L	L	*	*
DSS	H	H	L	H	H	H	DSS	H	H	L	H	*	*
AUX	H	H	H	H	L	H	AUX	H	H	H	H	H	H

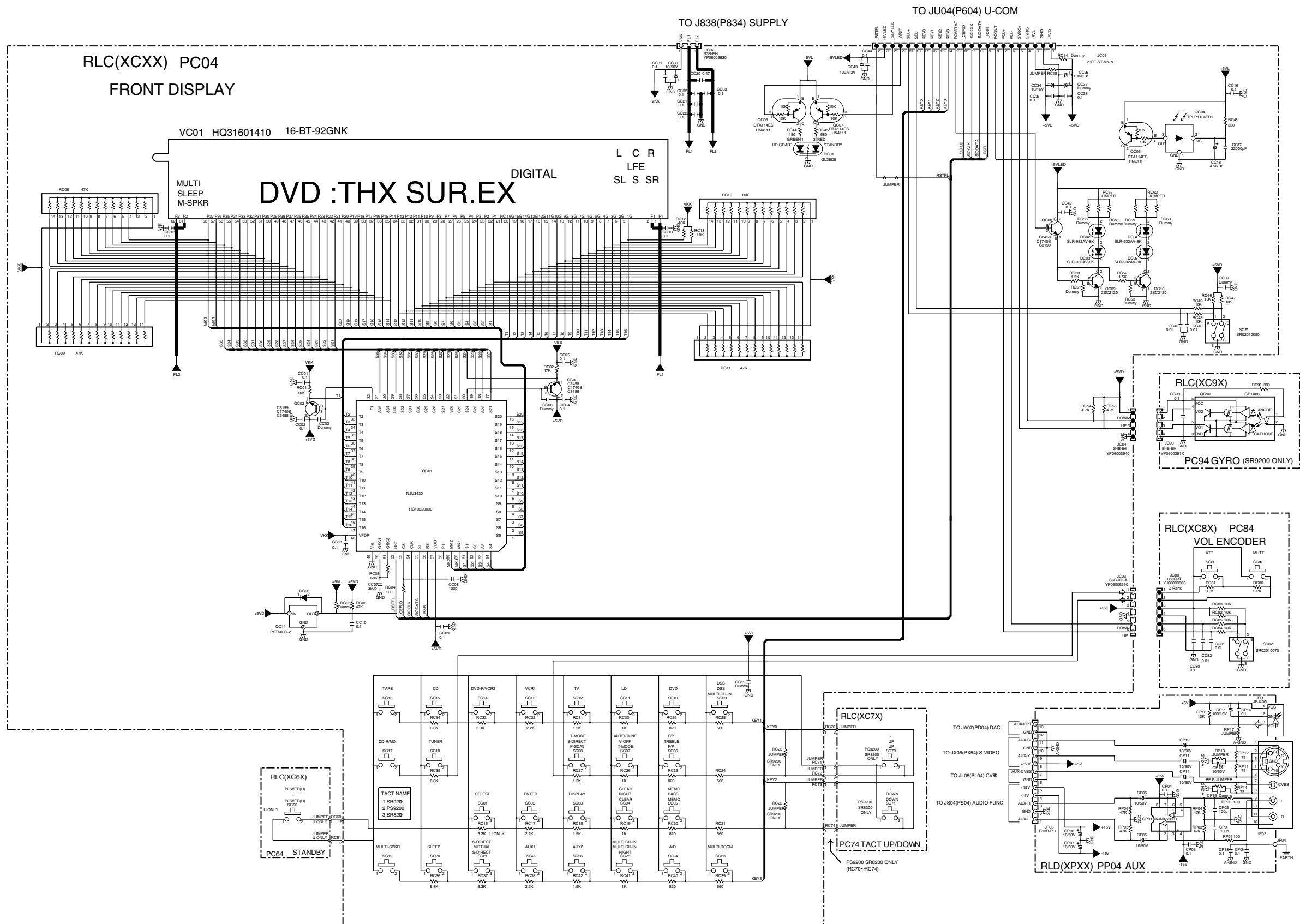
*DONT CARE

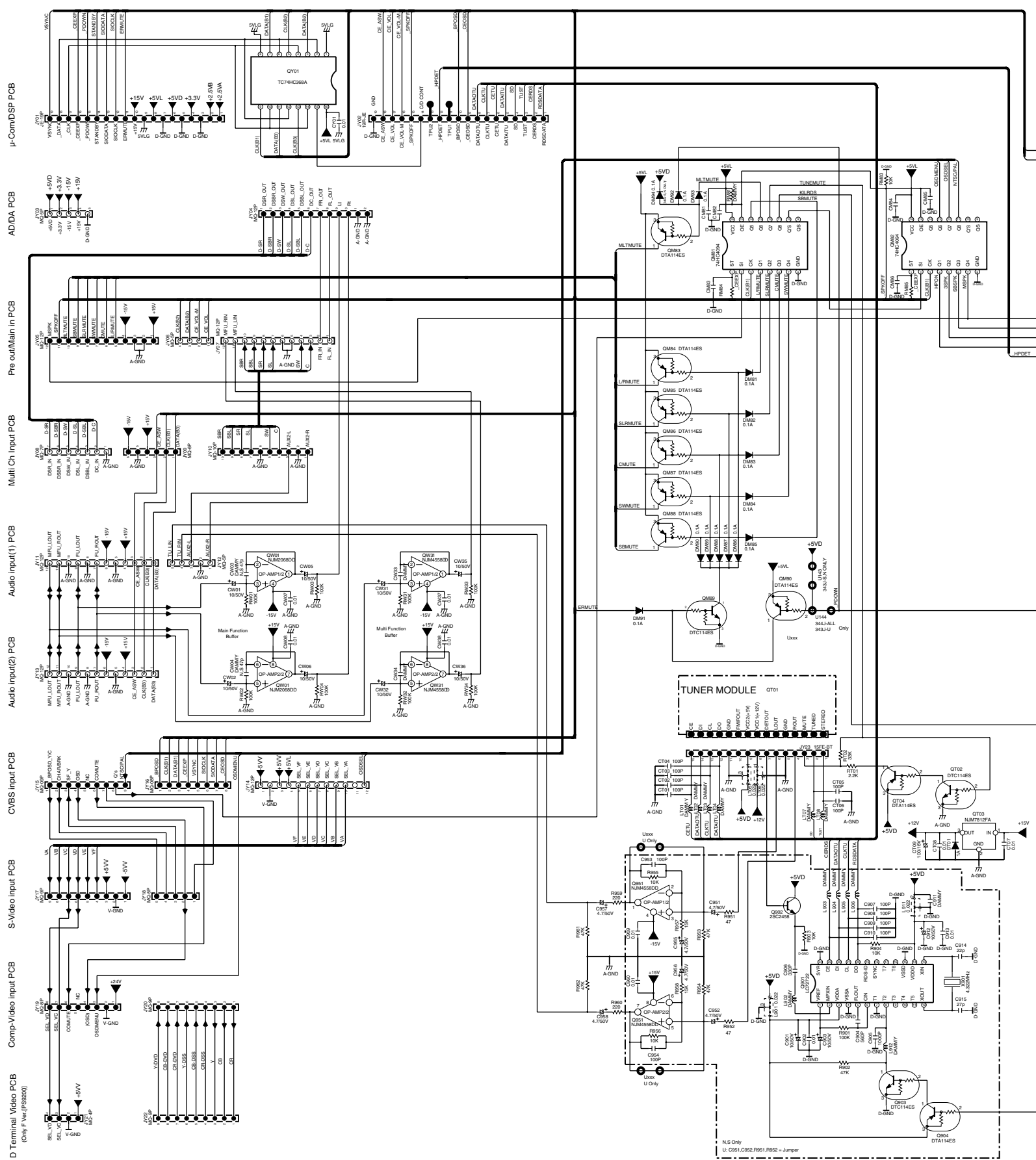




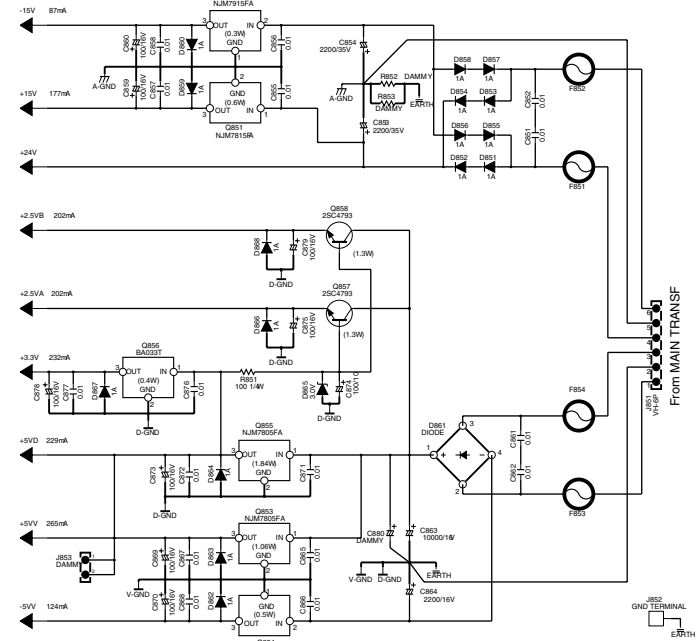
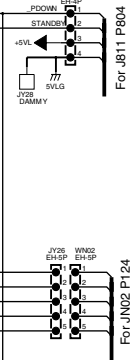
COMPONENT CONTROL

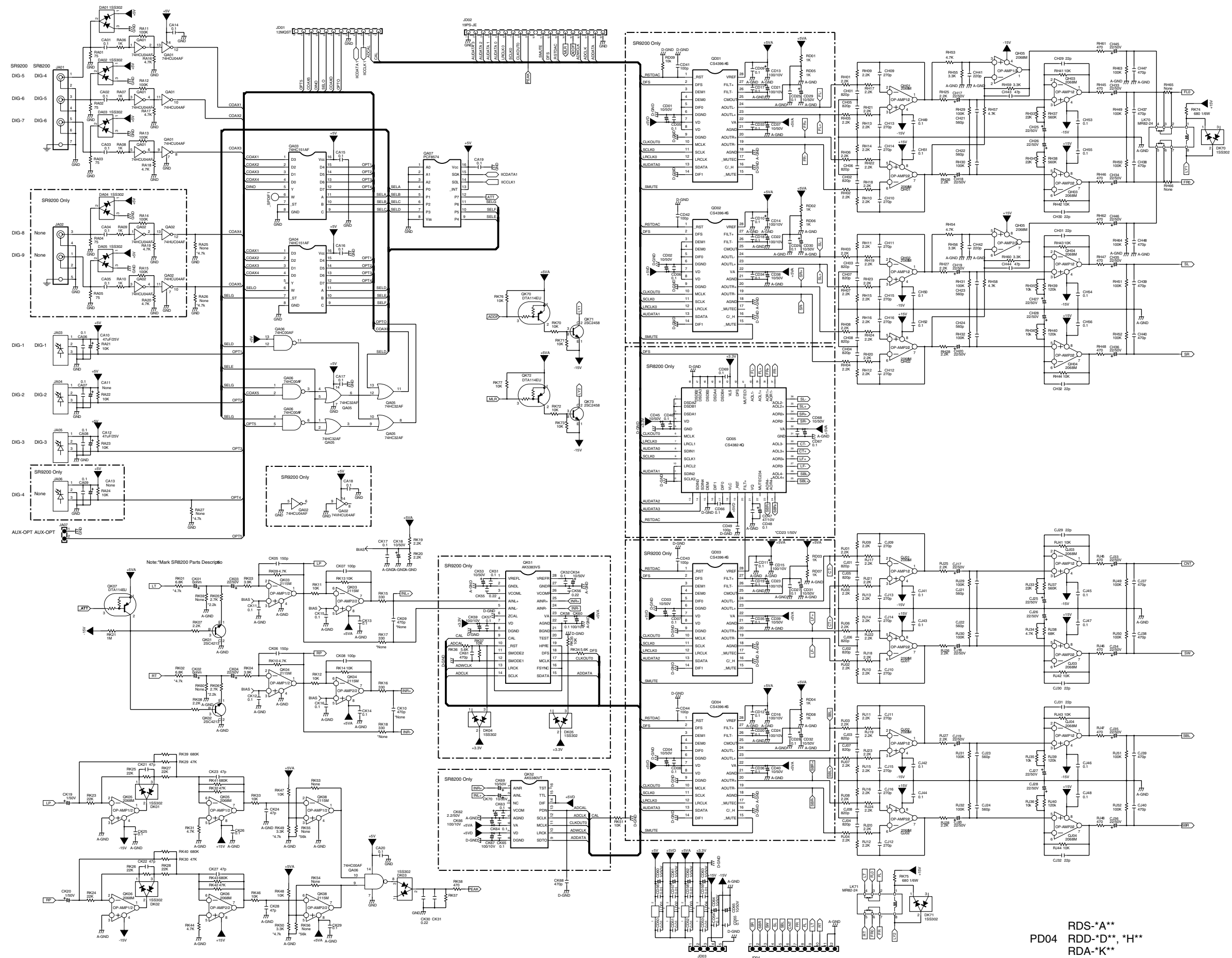
	VC	VD
DVD	L	L
VCR1	H	H
VCR2	H	L
DSS	L	H

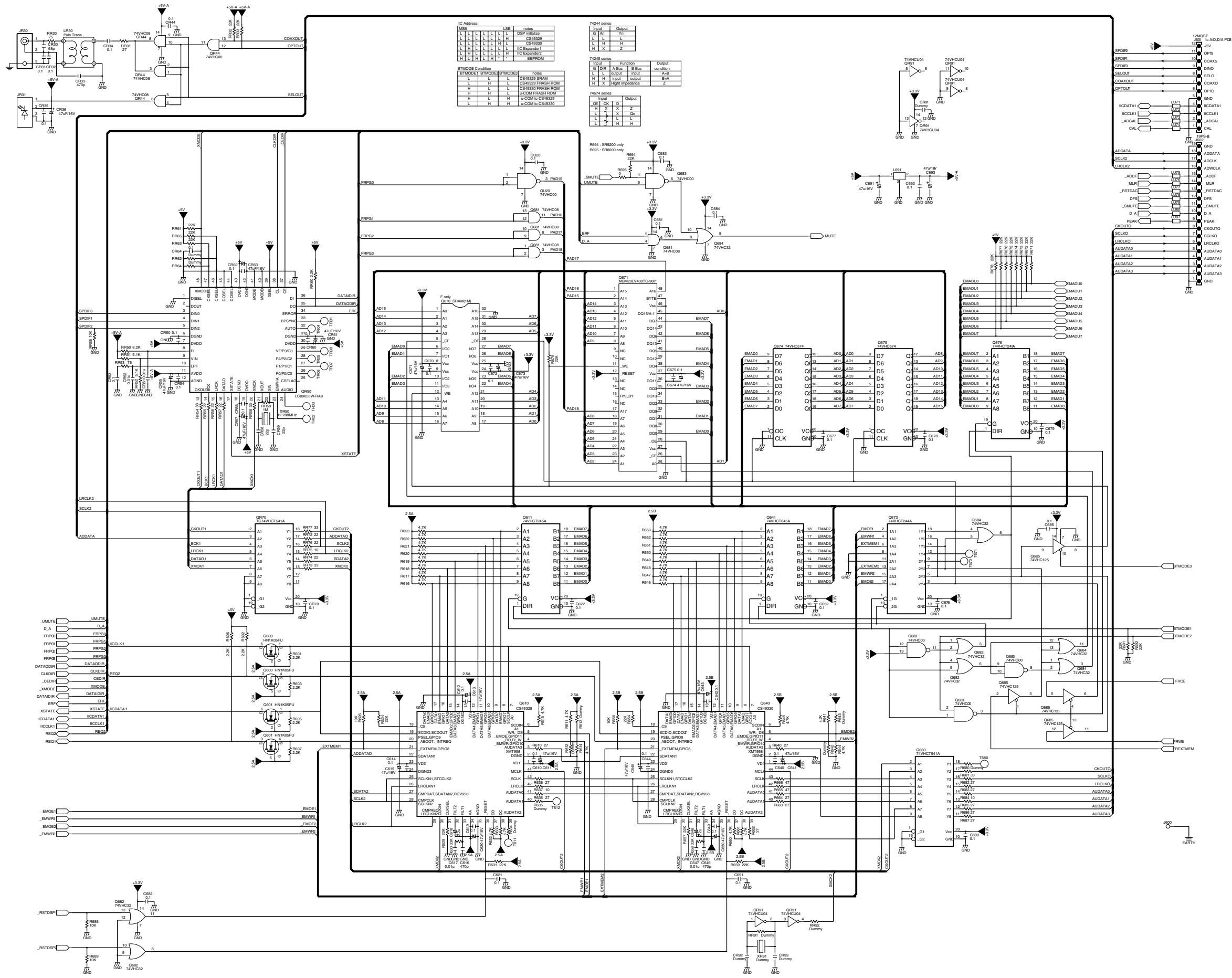


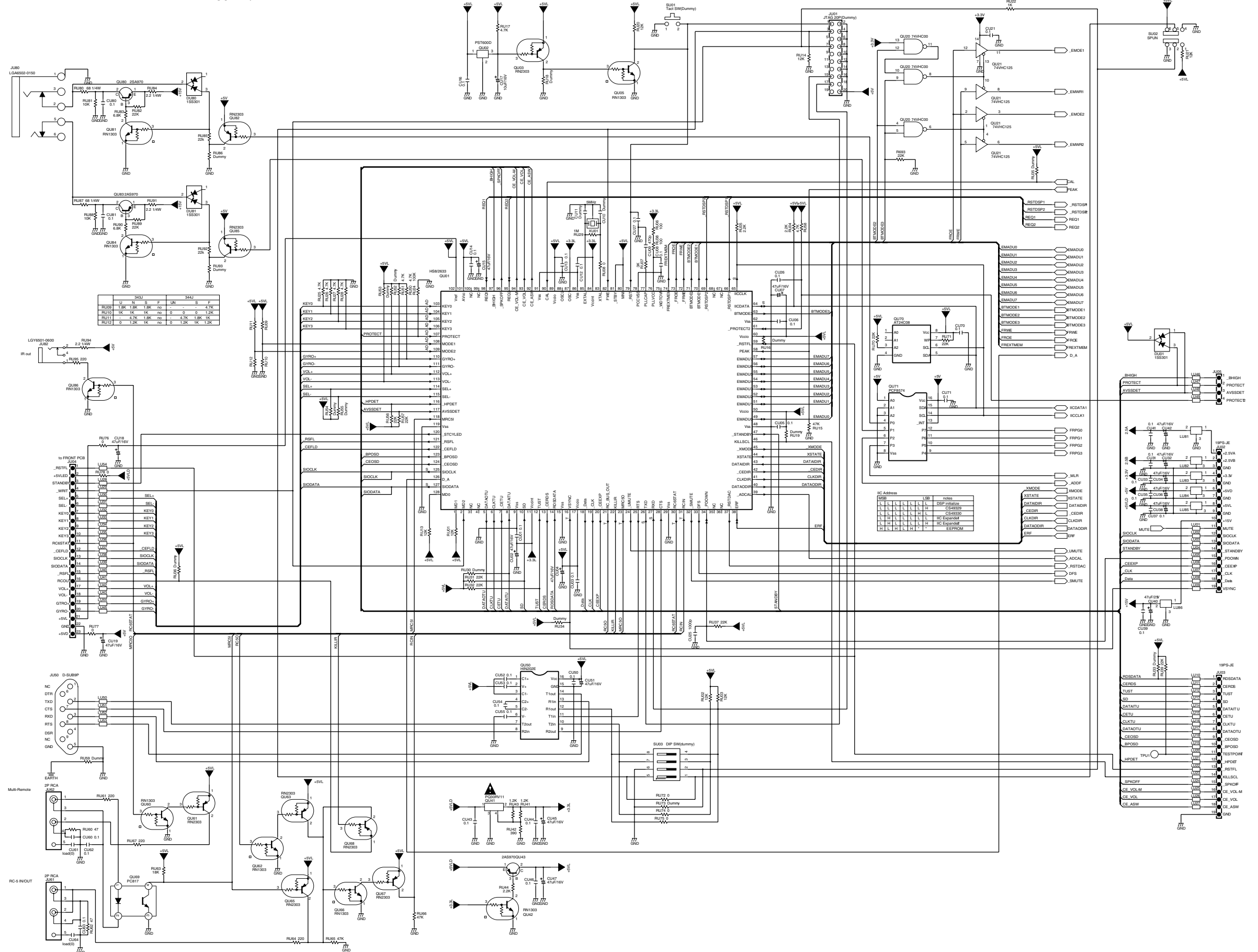


PY04
 RCN-*Y**/RVR-*M,W**/RTU-*T**
 RTR-*9**/RPS-*8**

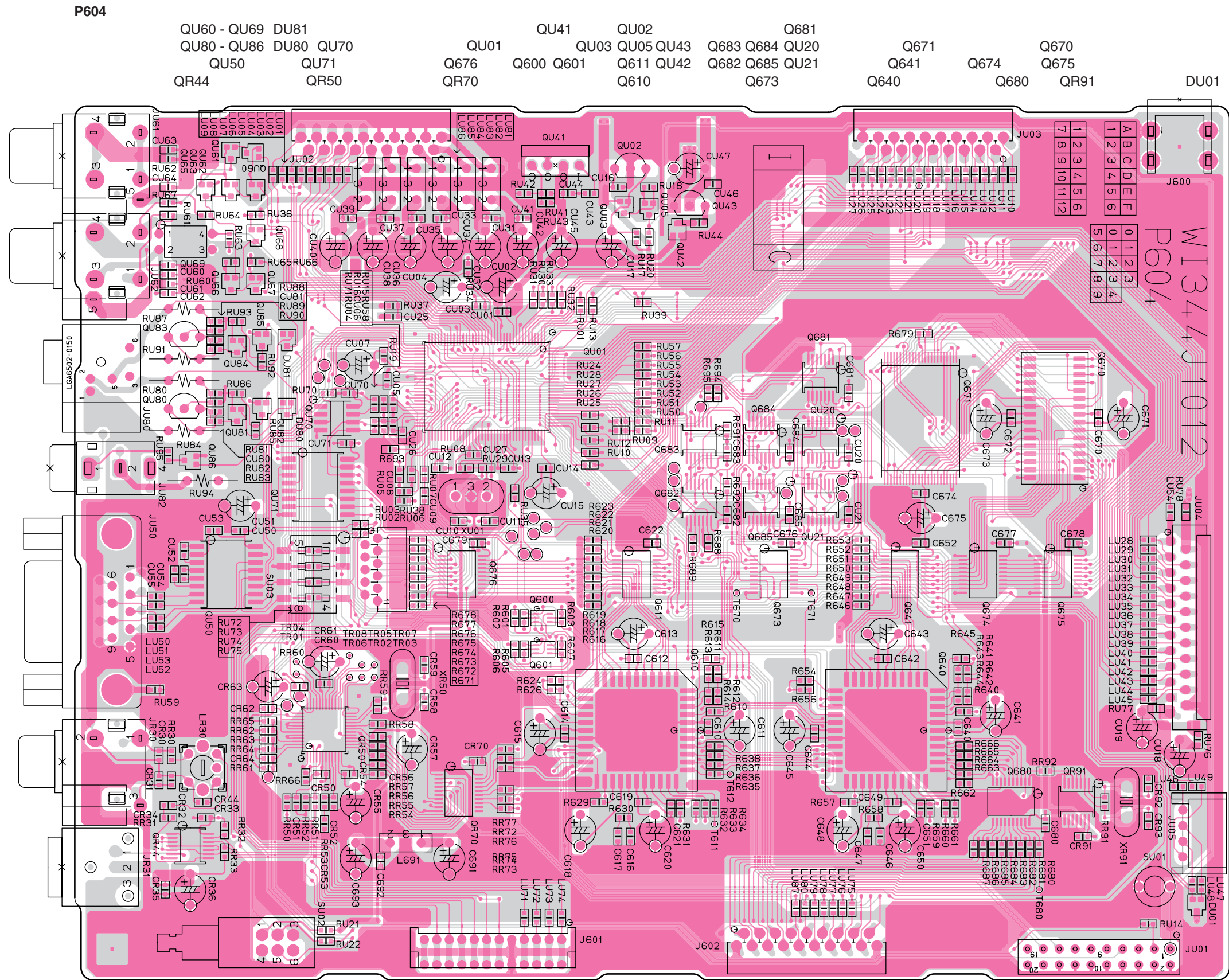








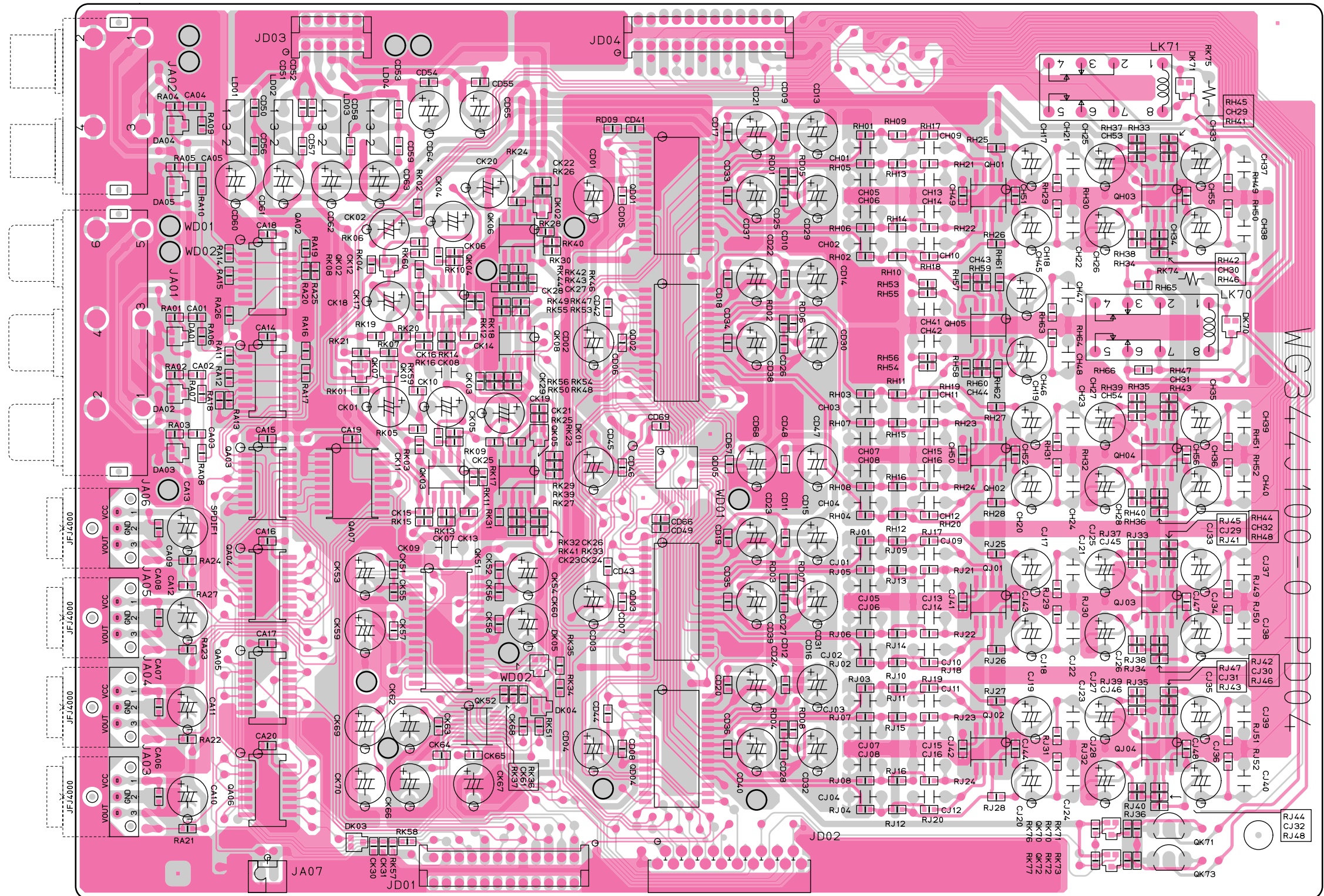
5. PARTS LOCATION



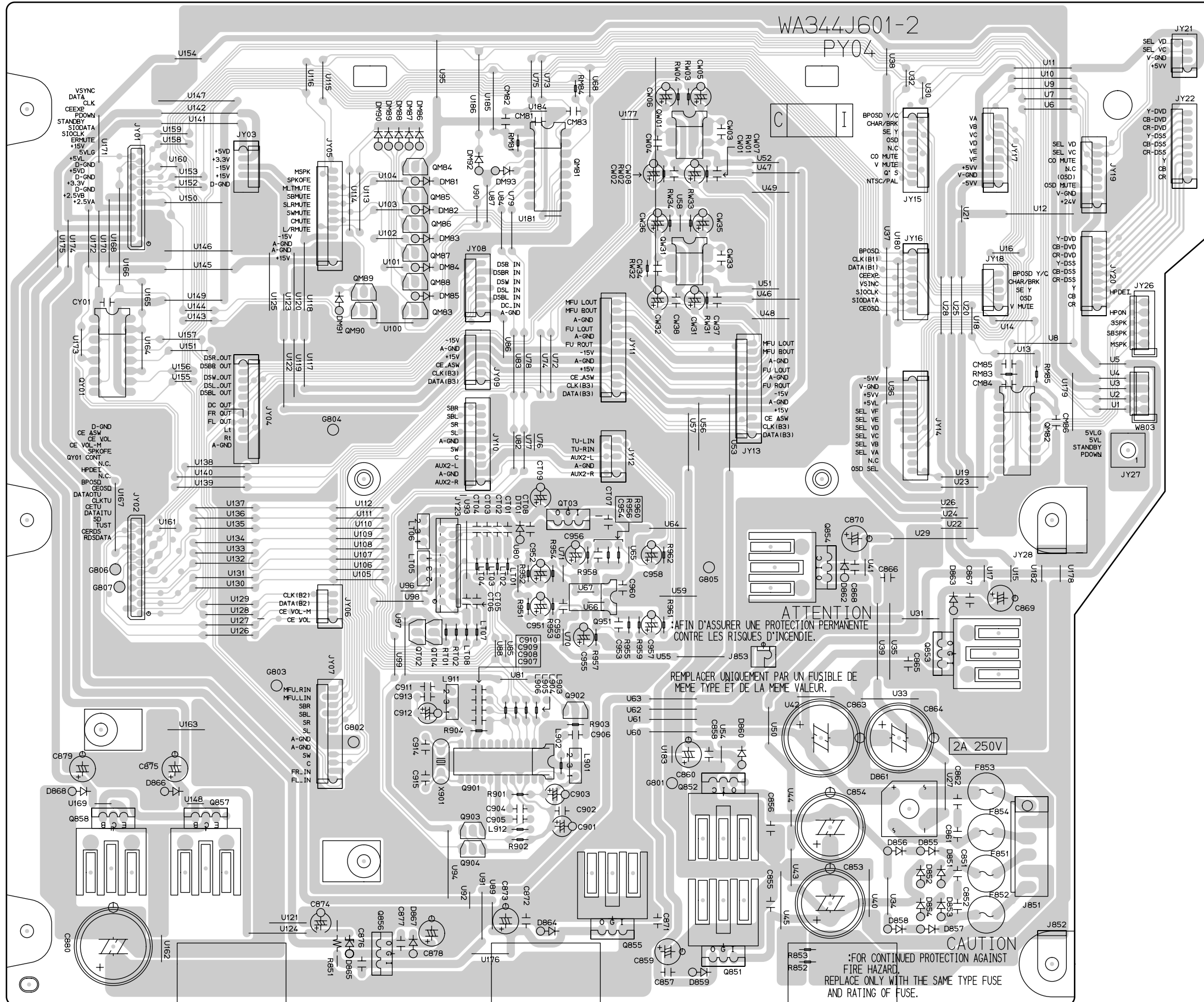
PD04

DA01 - DA04 QA01 - QA06 QK01 QK02 QK04 QK06 DK02
QA07 QK03 QK07 QK08 QD01 - QD04
DK03 QK51 QK05 DK01
QK52 DK05 DK04

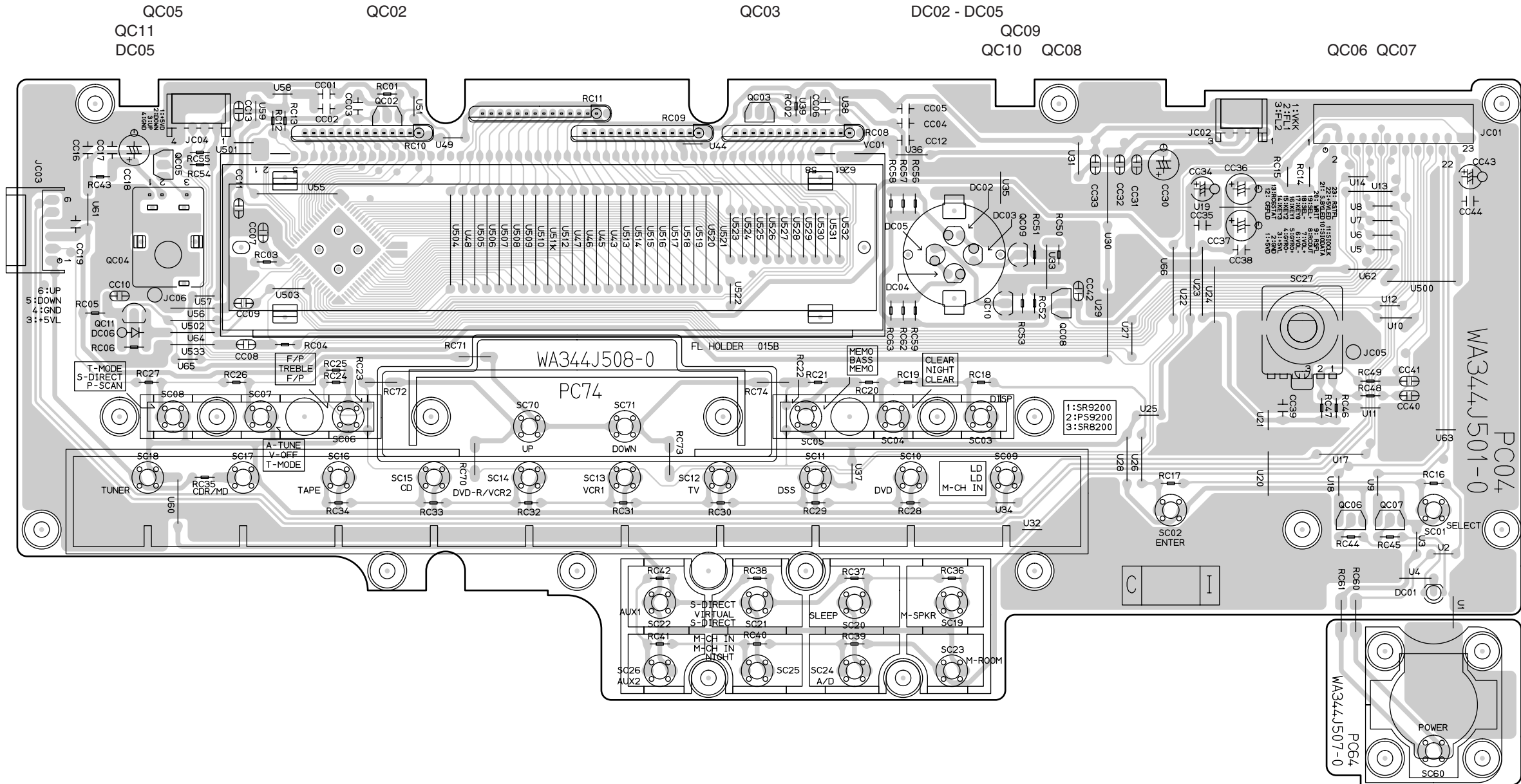
QH01 QH03 DK71
QH05 QH02 QH04 DK70
QJ01 QJ02 QJ03 QJ04
QK70 - QK73



QY01	DM81 - DM91	DM92 DM93 QM81	QW01			
	QM83 - QM90	QT03 Q951	QW31		QM82	
D868 Q858 D866 Q857	QT02 QT04 Q901	Q902 Q855		Q852 D860 Q854 D862 D861 D863 Q853		
	D865 Q856 D867 Q903 Q904	D864	D859 Q851		D851 - D858	



PC04 / PC64



P134
Q111



P174
Q161



P214
Q211



P254
Q261



P314
Q311



P354
Q361



PN14



PN24



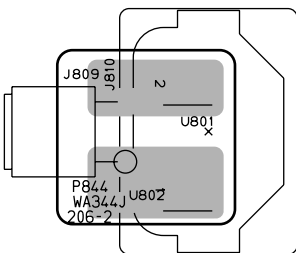
PN54



PN64



P844



P414

Q416

Q411

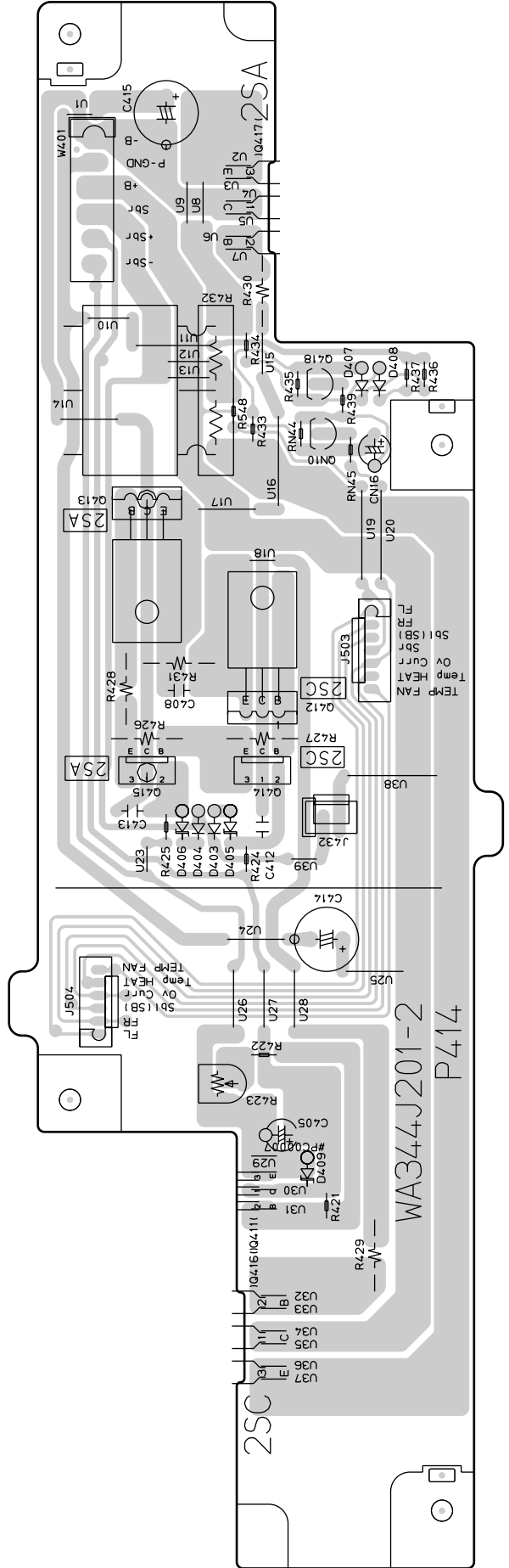
Q415
D403 - D406

Q414 Q412

Q413

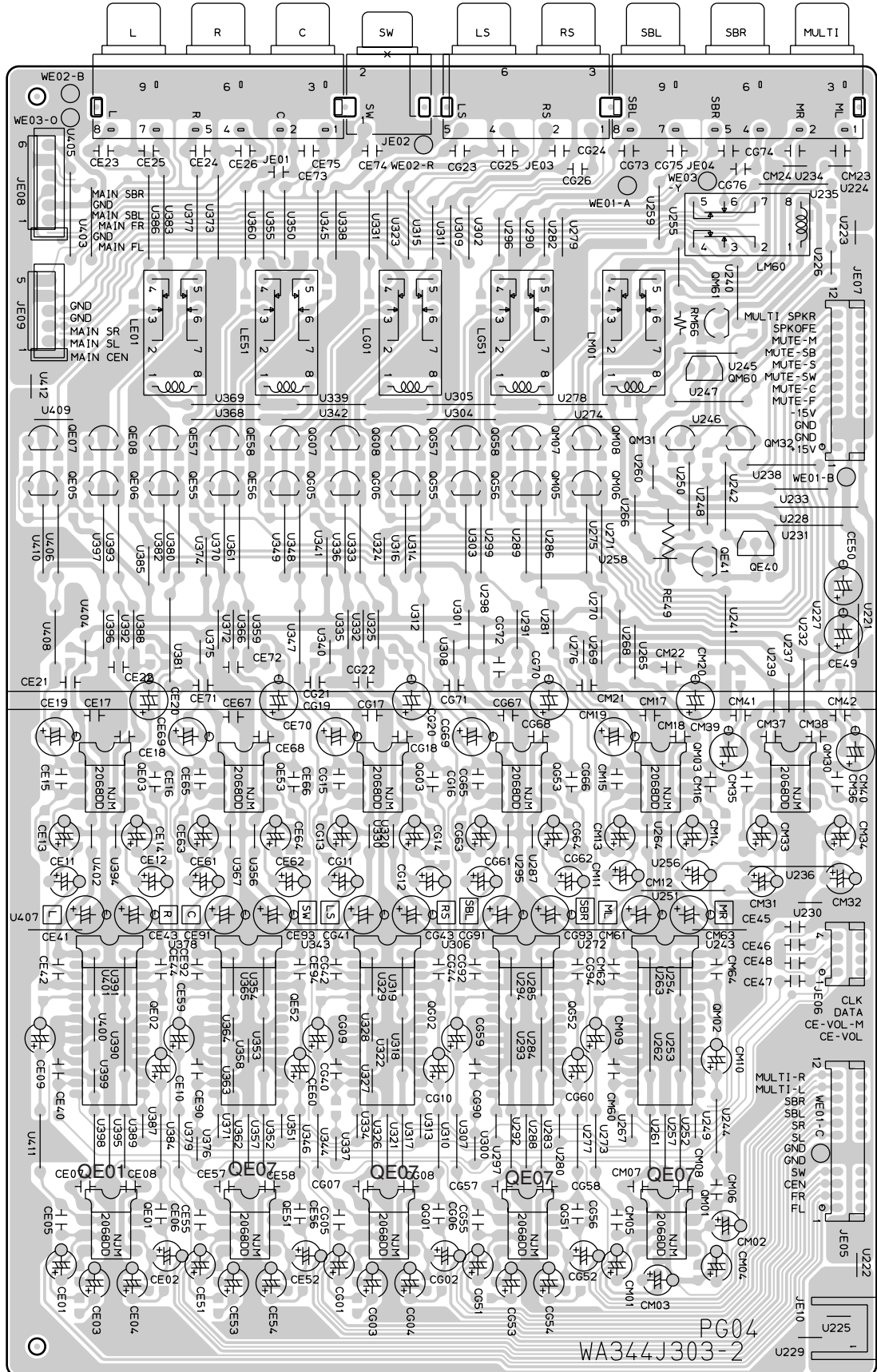
Q418
Q407 D408

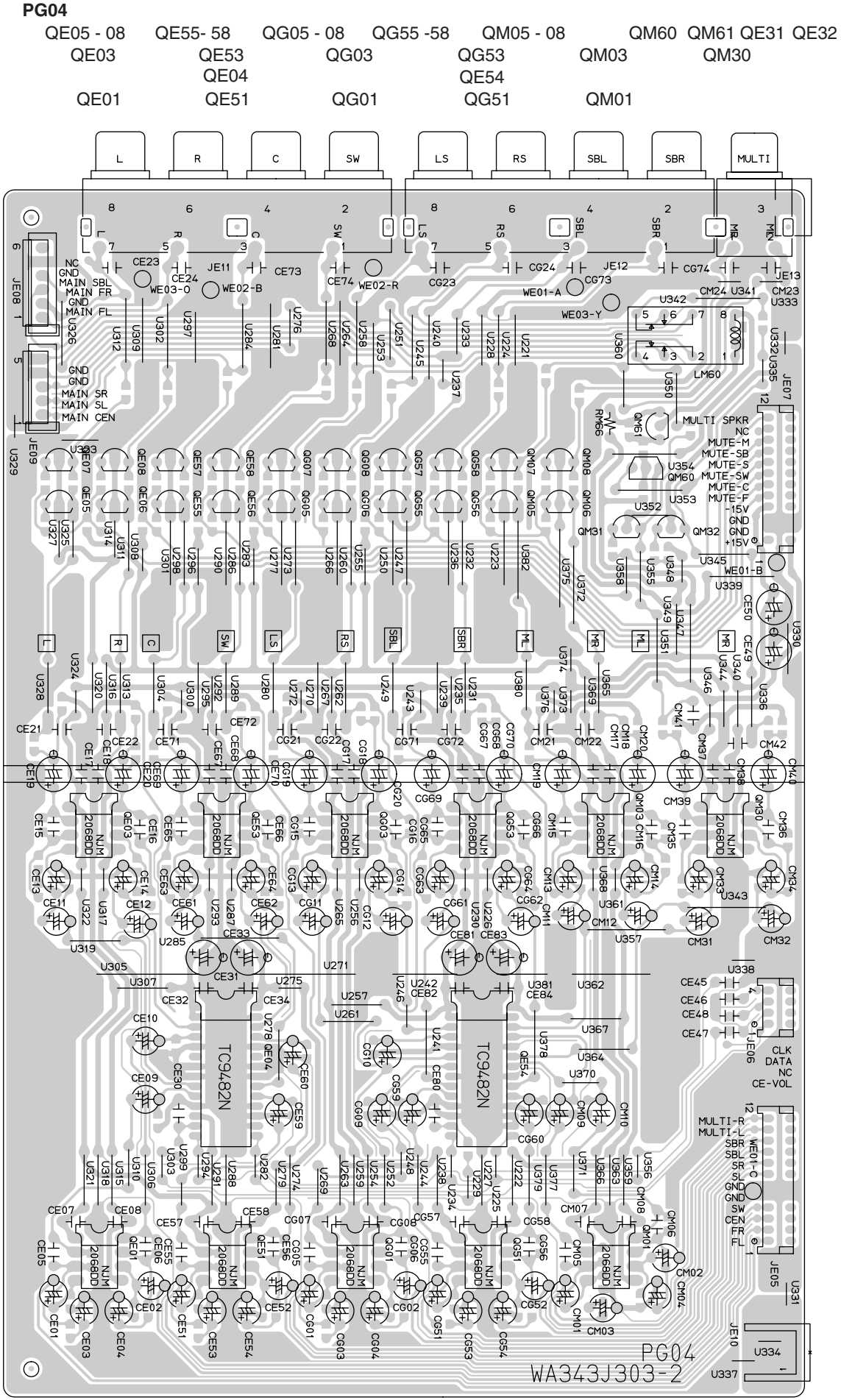
Q417



PG04

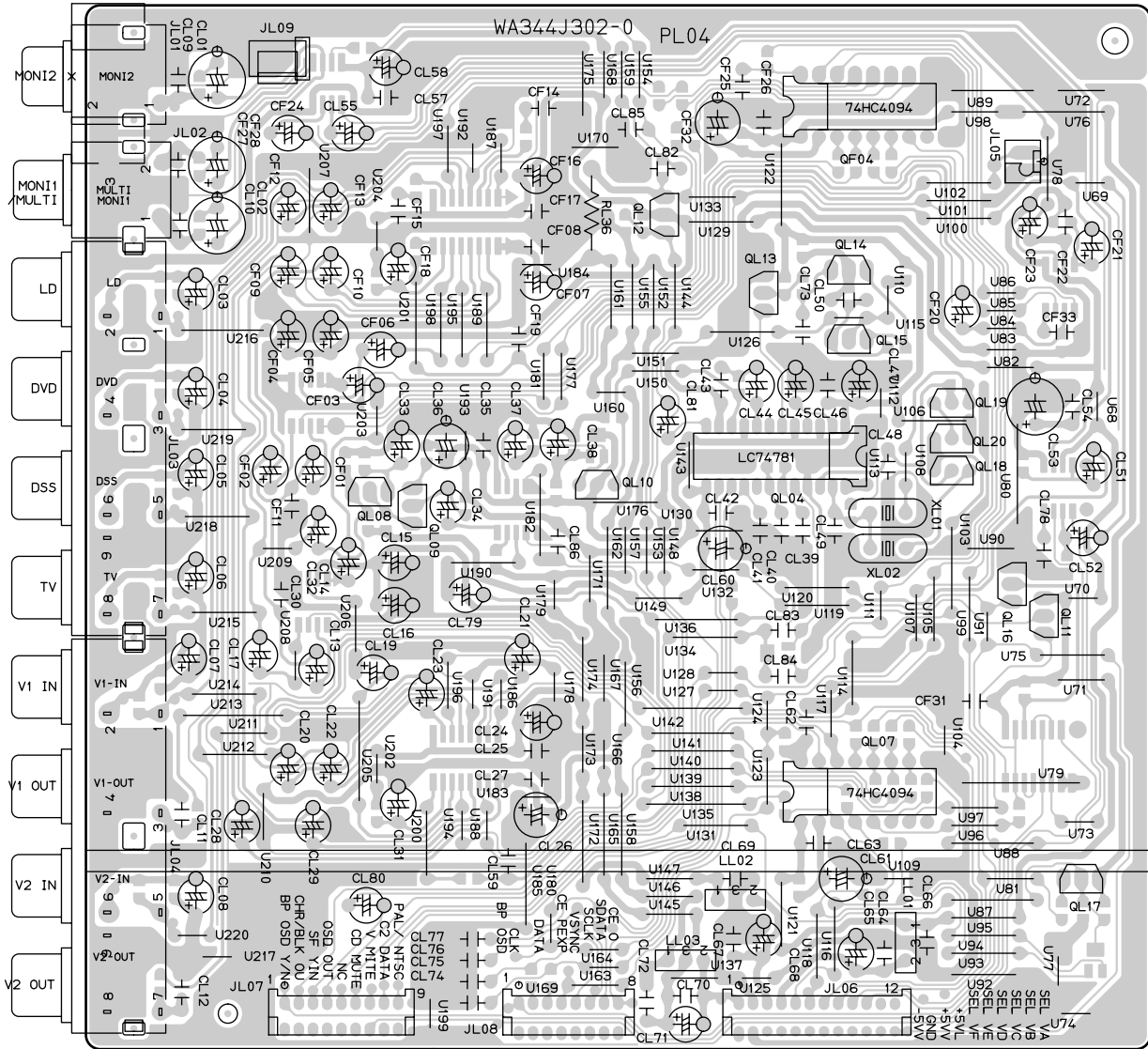
QE05 - 08 QE55- 58 QG05 - 08 QG55 - 58 QM05 - 08 QM60 QM61
QE31 QE32
QE41 QE40
QE01 - 03 QE51 - 53 QG01 - 03 QG51 - 53 QM01 - 03 QM30





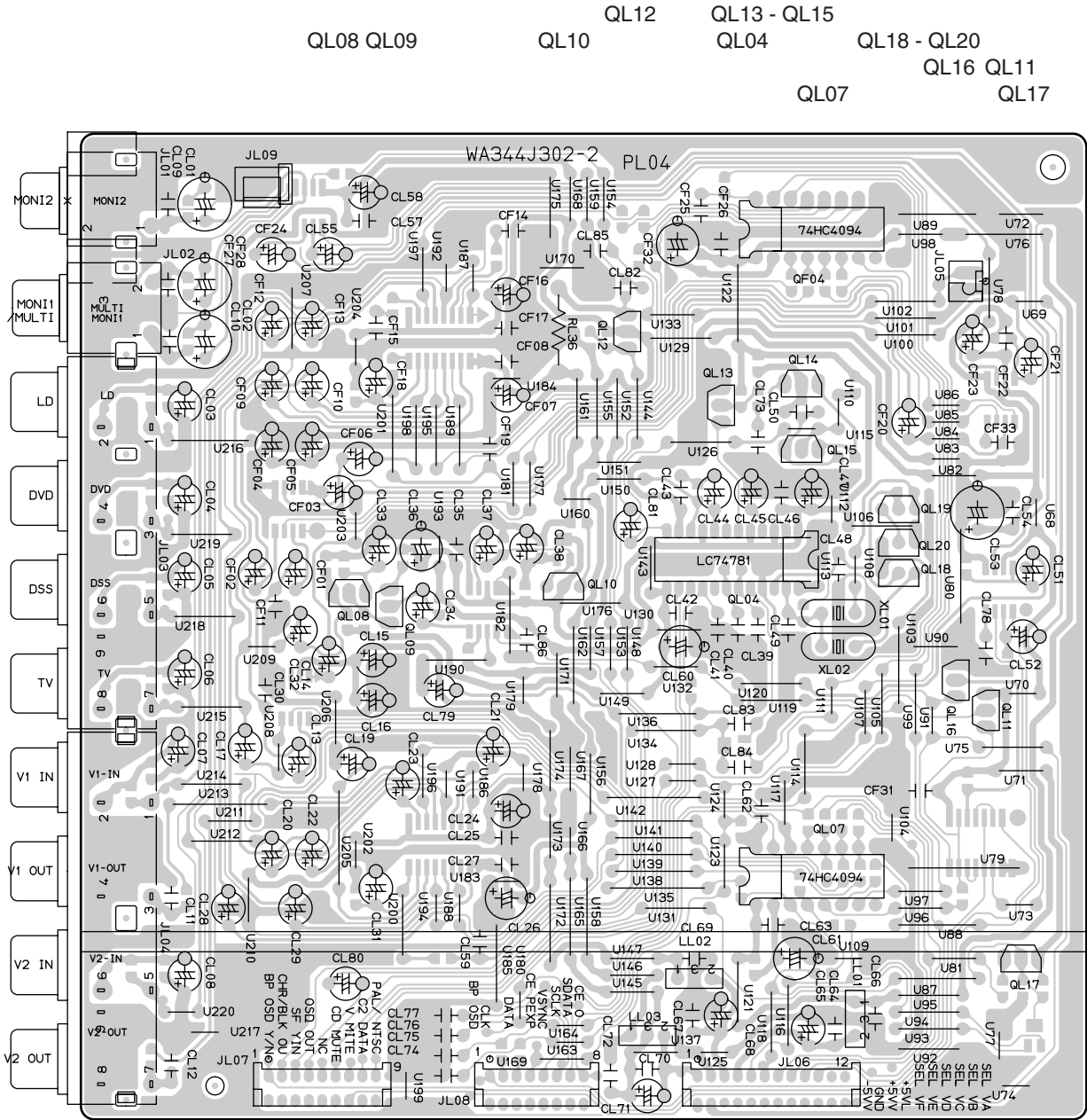
PL04

QL08 QL09 QL10 QL12 QL13 - QL15 QF04
 QL04 QL18 - QL20
 QL07 QL16 QL11 QL17



SR8200

PL04

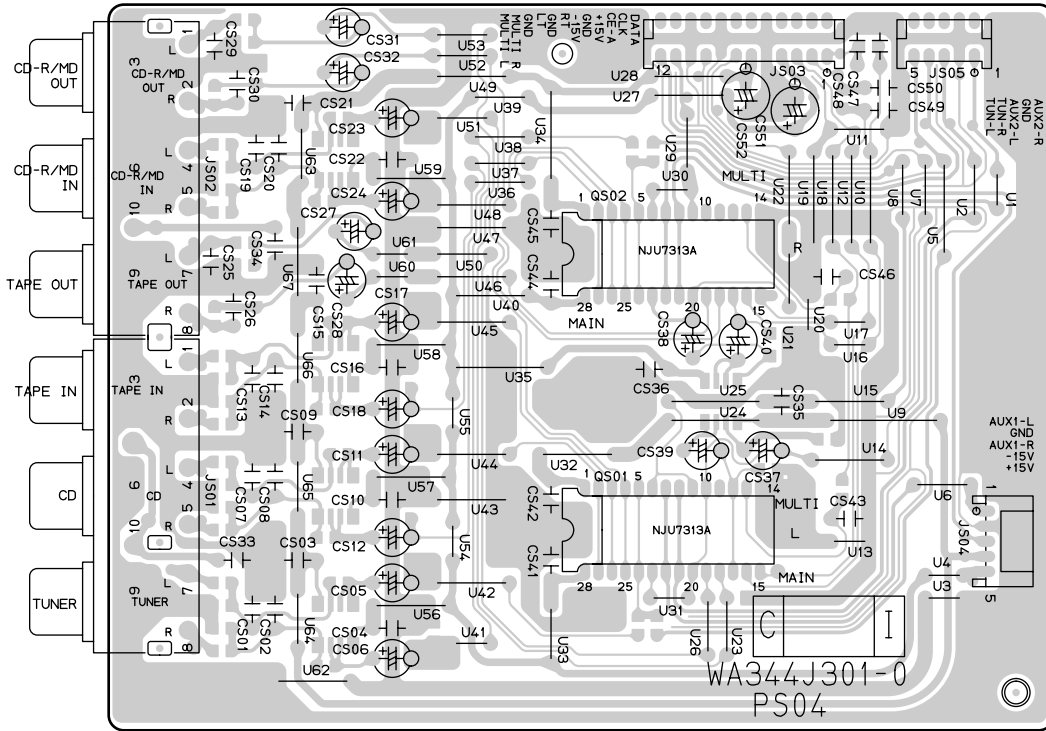


QL08 QL09 QL12 QL13 - QL15 QL18 - QL20
 QL10 QL04 QL16 QL11
 QL07 QL17

SR9200 / PS9200

PS04

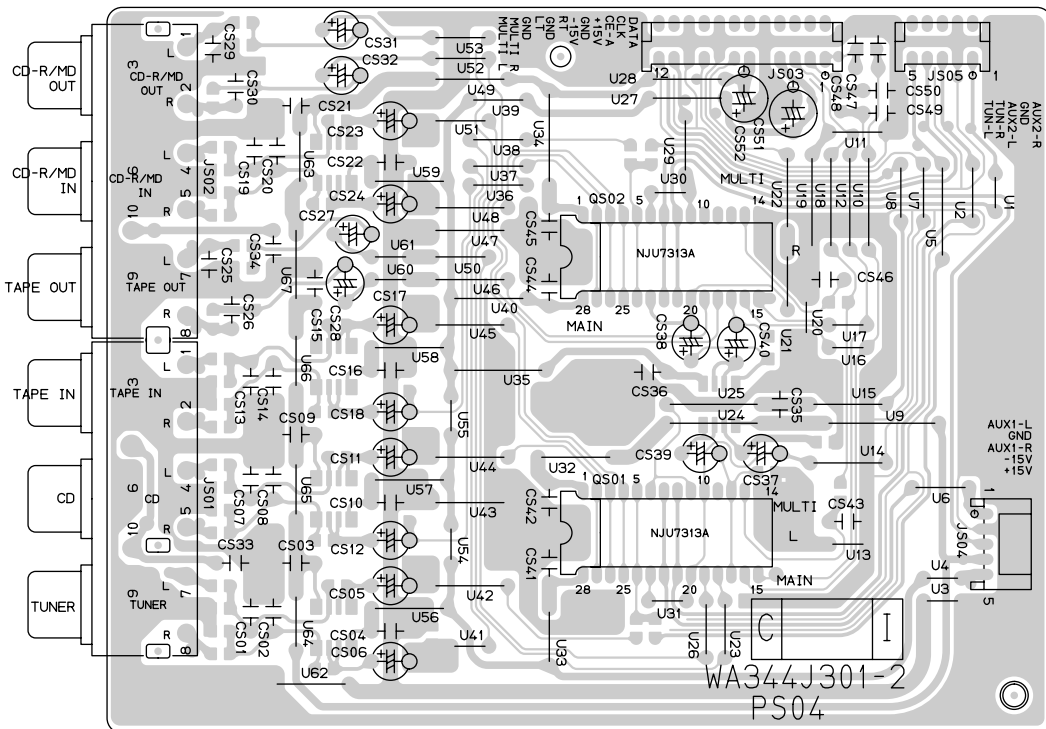
QS02 QS01



SR8200

PS04

QS02 QS01



P834

D839 D840

Q505 D501 Q504

Q506 Q507 Q508

DN01 - DN04

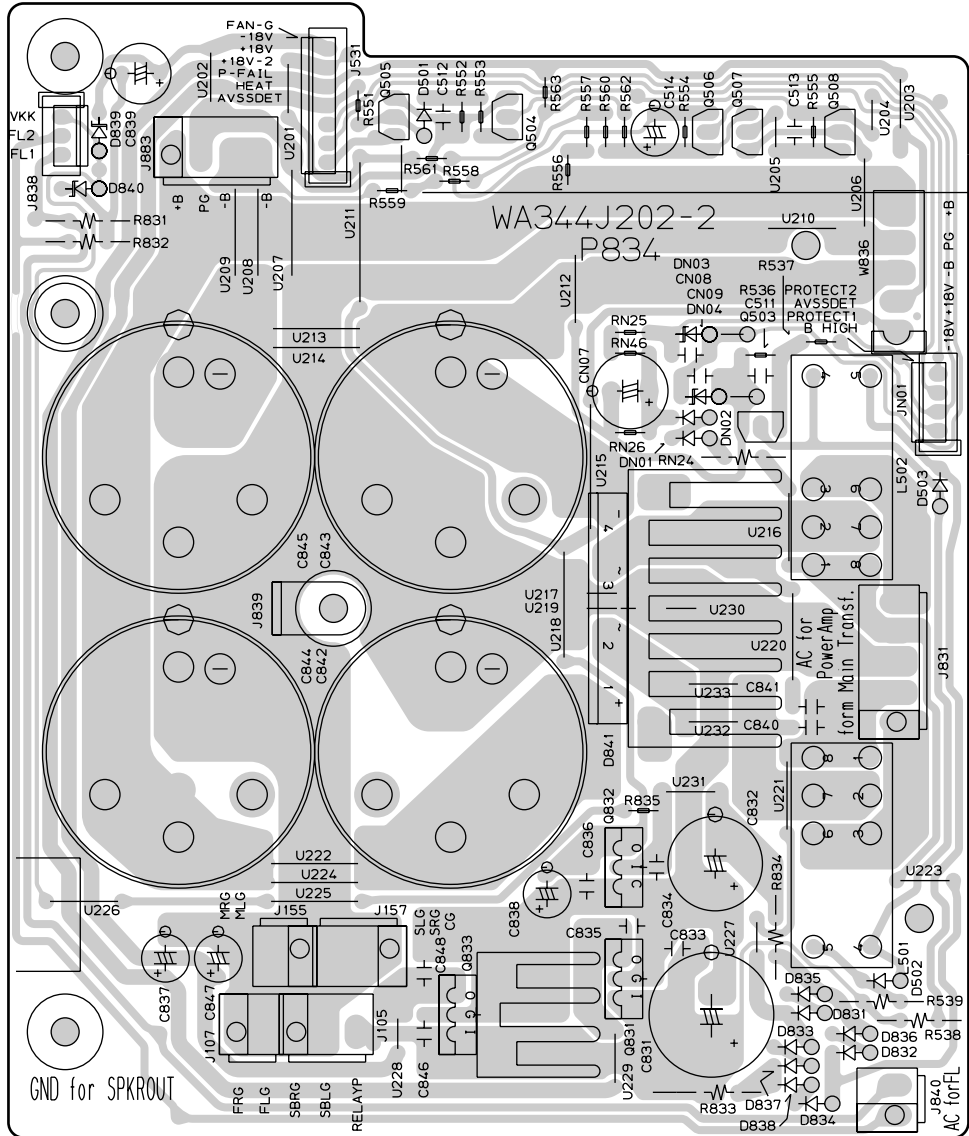
D503

Q833

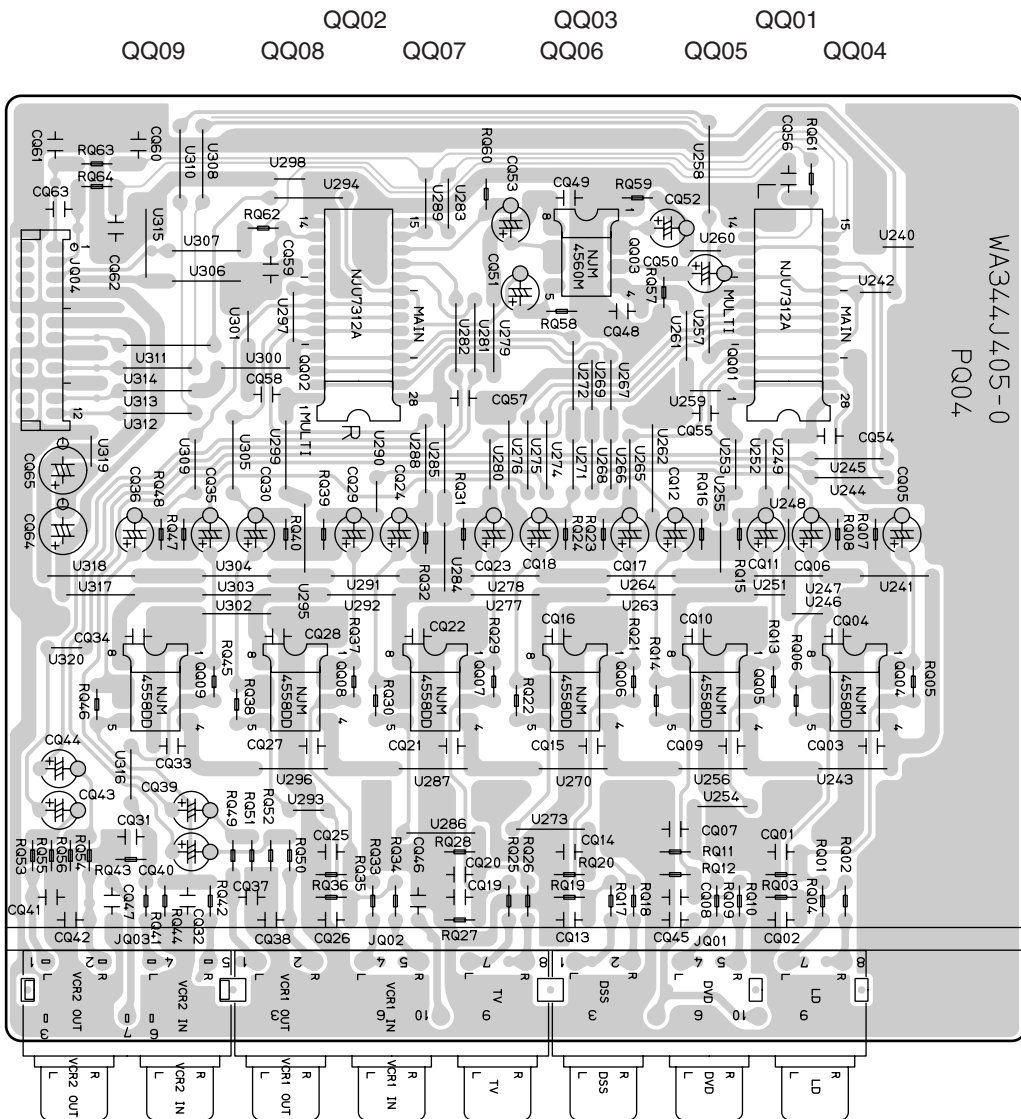
Q831 Q832

D831 - D838

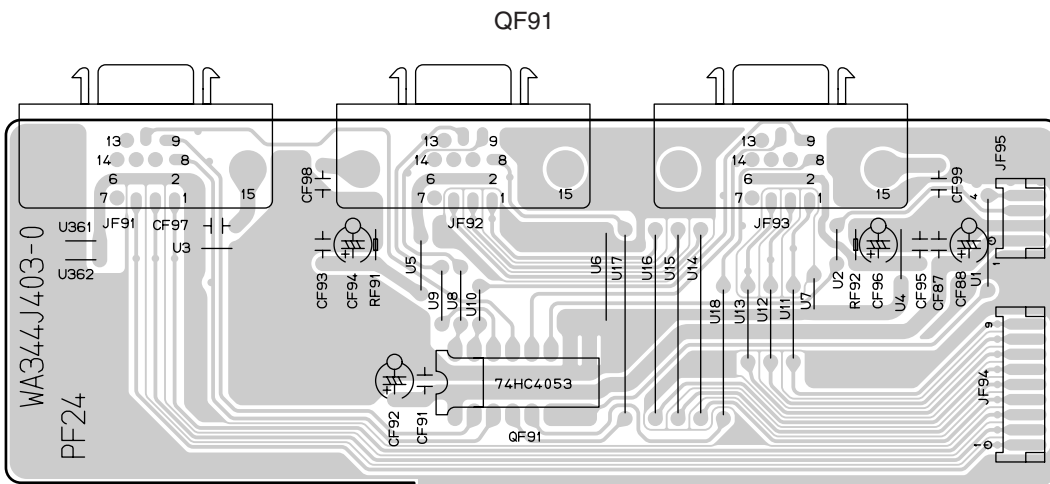
D502



PQ04

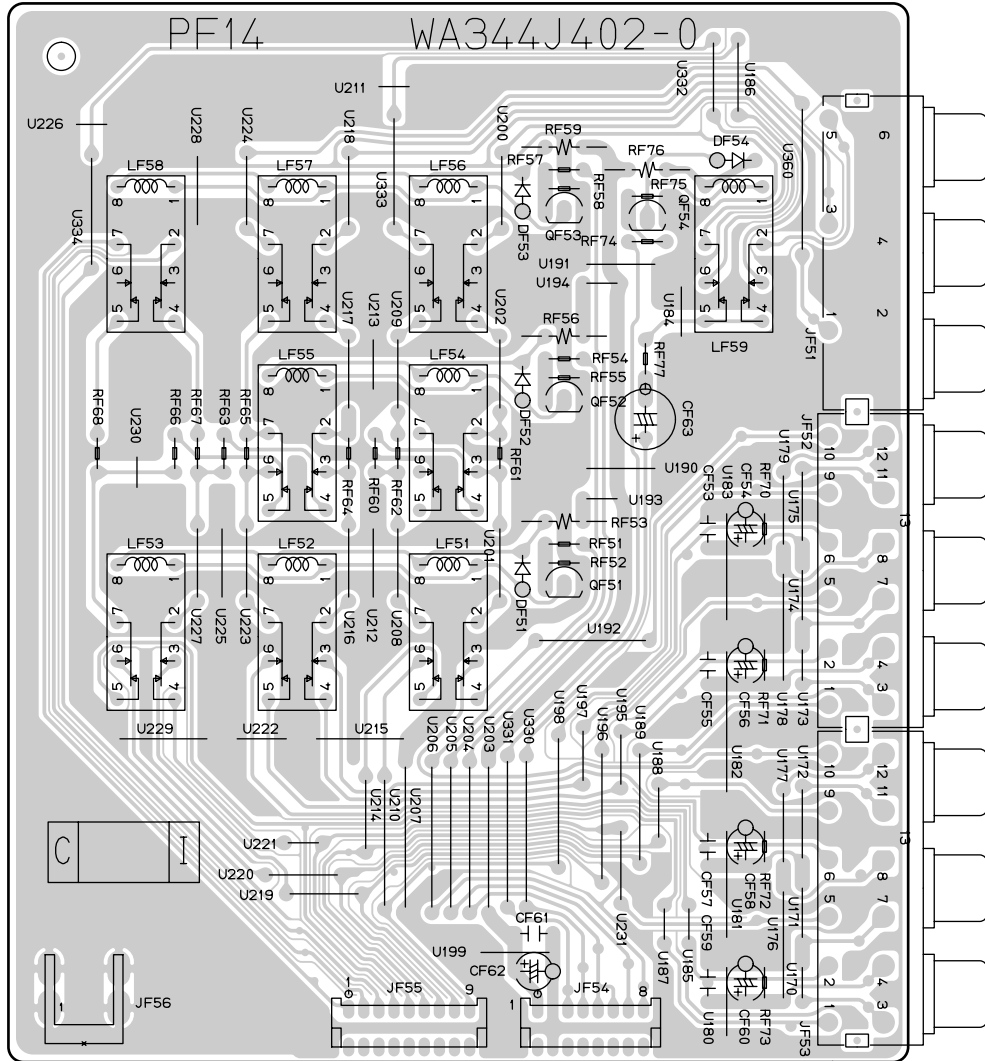


PF24



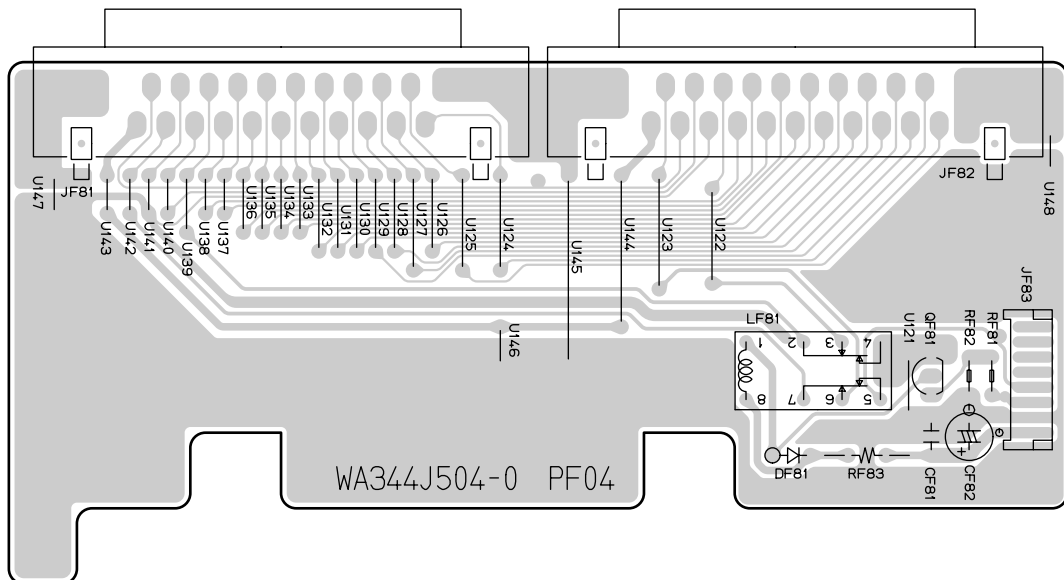
PF14

DF51 QF51 QF54 DF54
 DF52 QF52
 DF53 QF53



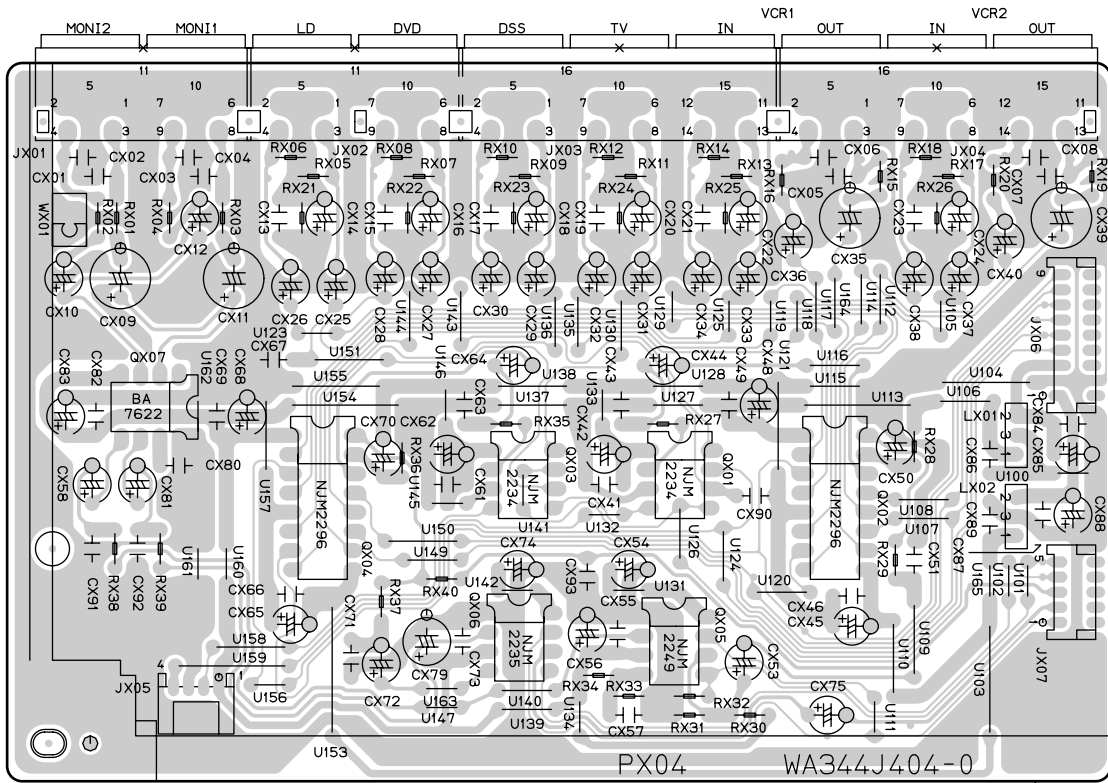
PF04

DF81 QF81



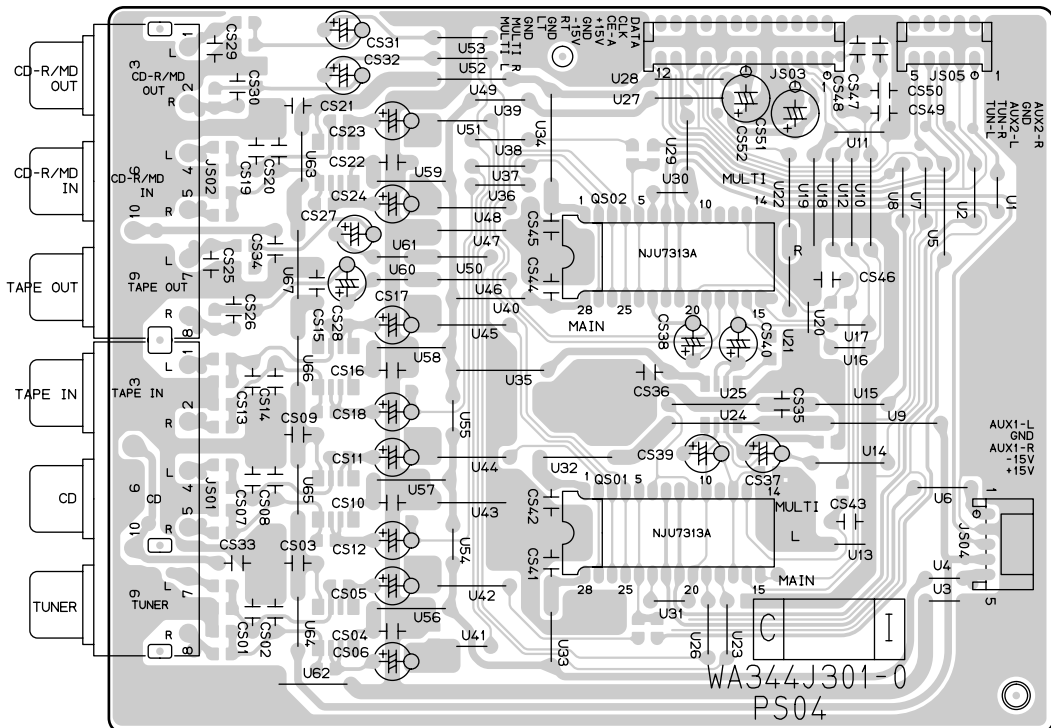
PX04

QX07 QX04 QX03 QX01 QX02
QX06 QX05

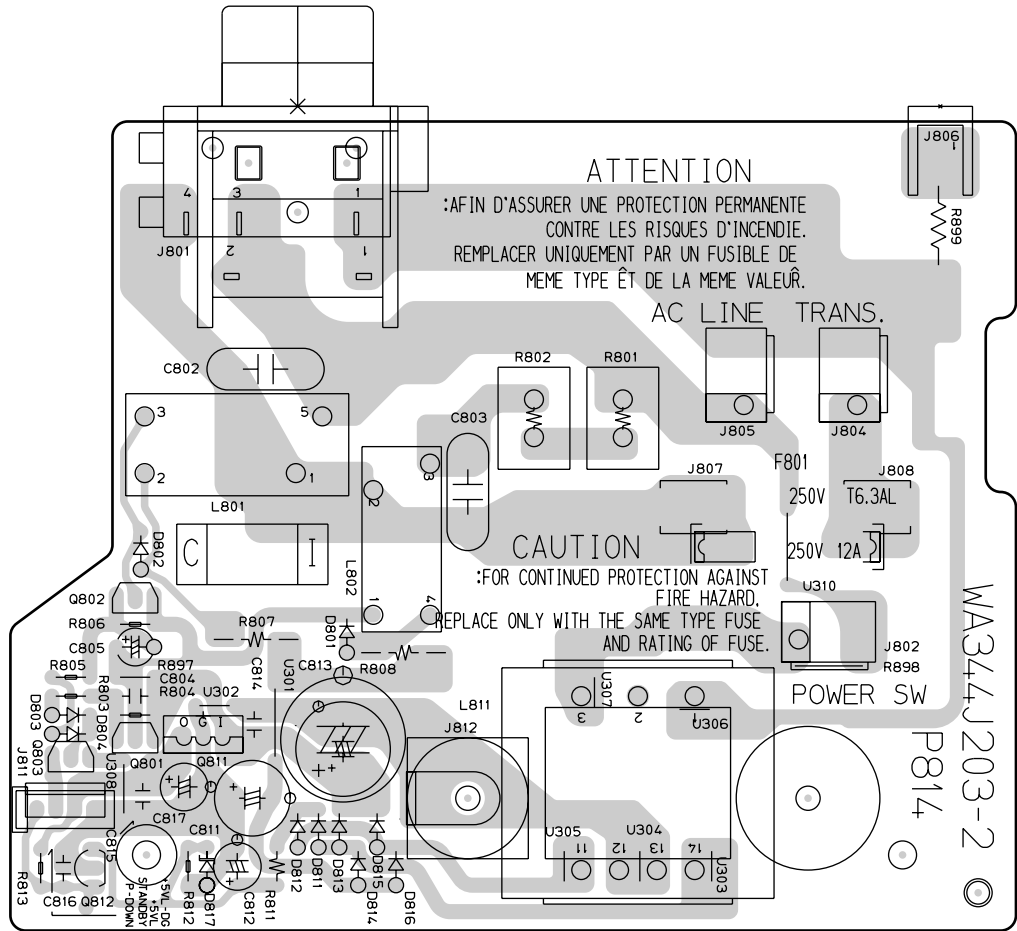


PS04

QS02 QS01

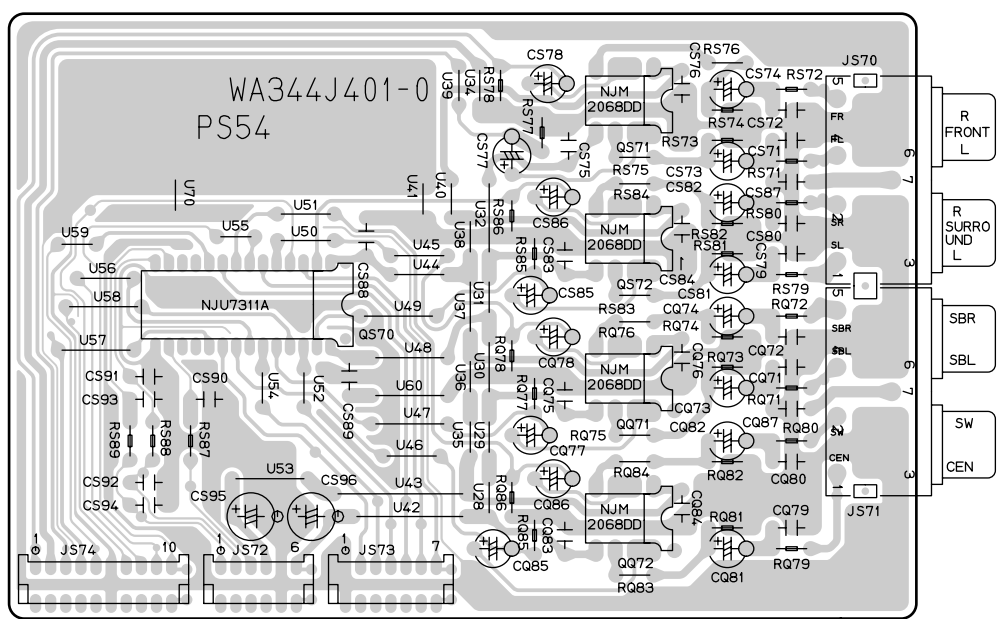


P814
 Q802 D802
 D803 D804 Q801 Q811 D801
 Q812 D817 D811 - D816

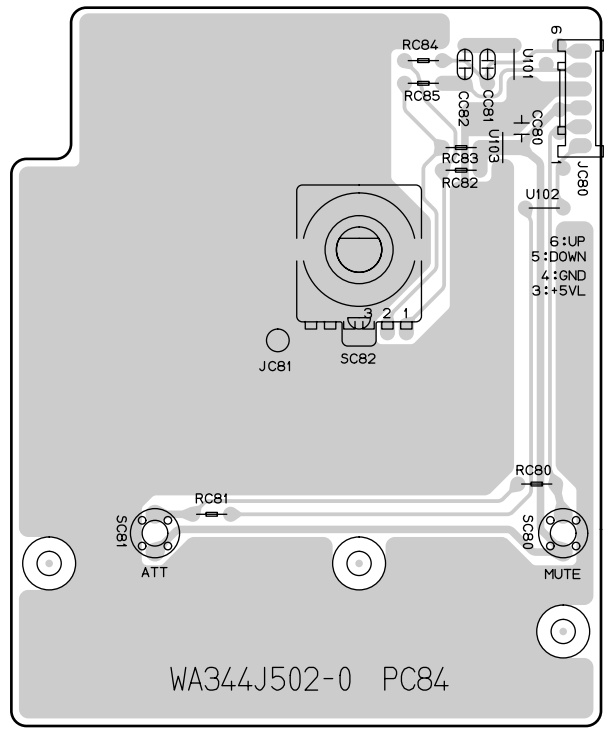


PS54

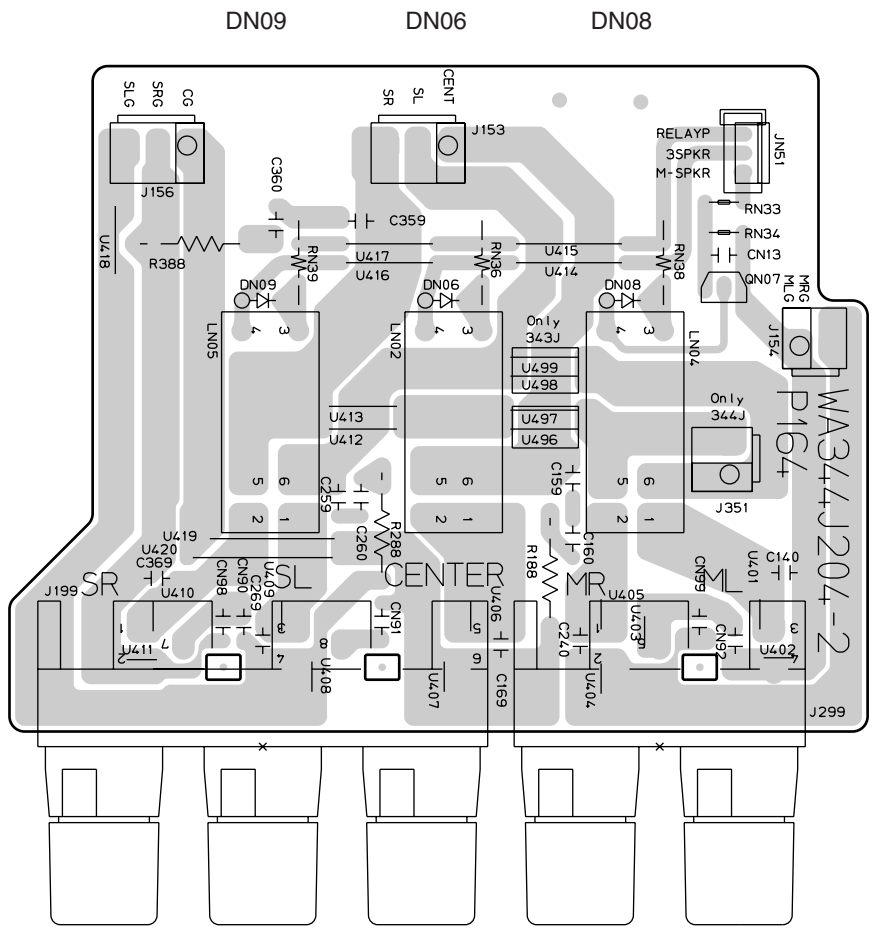
Q811 Q812 Q813 Q814 Q815 Q816 Q817 Q818 Q819 Q820 Q821 Q822 Q823 Q824 Q825 Q826 Q827 Q828 Q829 Q830 Q831 Q832 Q833 Q834 Q835 Q836 Q837 Q838 Q839 Q840 Q841 Q842 Q843 Q844 Q845 Q846 Q847 Q848 Q849 Q850 Q851 Q852 Q853 Q854 Q855 Q856 Q857 Q858 Q859 Q860 Q861 Q862 Q863 Q864 Q865 Q866 Q867 Q868 Q869 Q870 Q871 Q872 Q873 Q874 Q875 Q876 Q877 Q878 Q879 Q880 Q881 Q882 Q883 Q884 Q885 Q886 Q887 Q888 Q889 Q890 Q891 Q892 Q893 Q894 Q895 Q896 Q897 Q898 Q899 Q900 Q901 Q902 Q903 Q904 Q905 Q906 Q907 Q908 Q909 Q910 Q911 Q912 Q913 Q914 Q915 Q916 Q917 Q918 Q919 Q920 Q921 Q922 Q923 Q924 Q925 Q926 Q927 Q928 Q929 Q930 Q931 Q932 Q933 Q934 Q935 Q936 Q937 Q938 Q939 Q940 Q941 Q942 Q943 Q944 Q945 Q946 Q947 Q948 Q949 Q950 Q951 Q952 Q953 Q954 Q955 Q956 Q957 Q958 Q959 Q960 Q961 Q962 Q963 Q964 Q965 Q966 Q967 Q968 Q969 Q970 Q971 Q972 Q973 Q974 Q975 Q976 Q977 Q978 Q979 Q980 Q981 Q982 Q983 Q984 Q985 Q986 Q987 Q988 Q989 Q990 Q991 Q992 Q993 Q994 Q995 Q996 Q997 Q998 Q999 Q1000



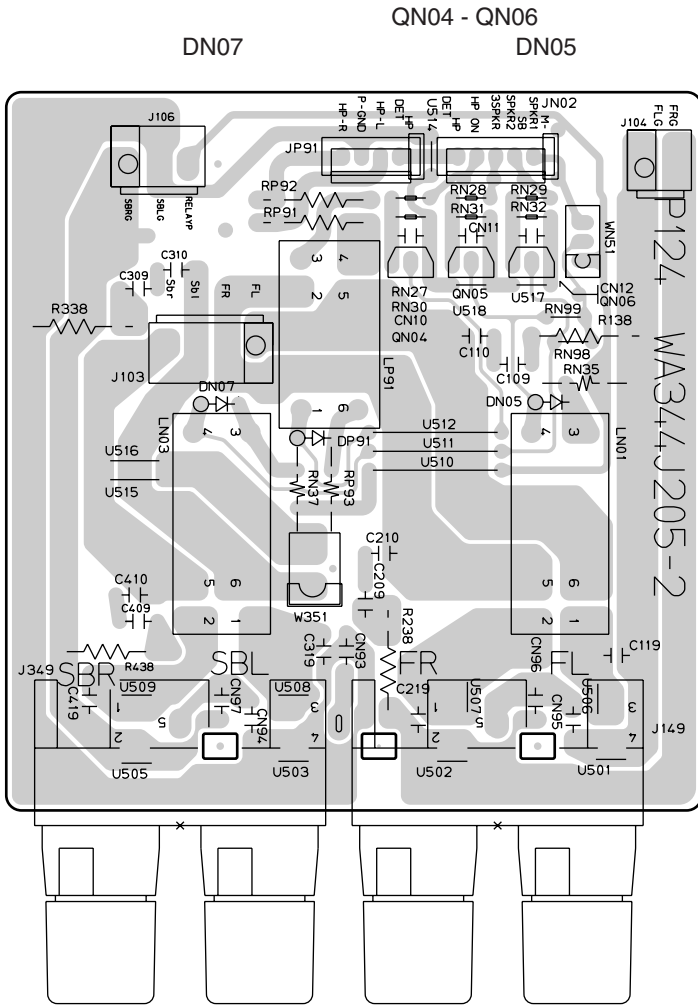
PC84



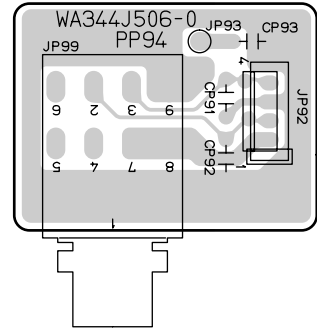
P164



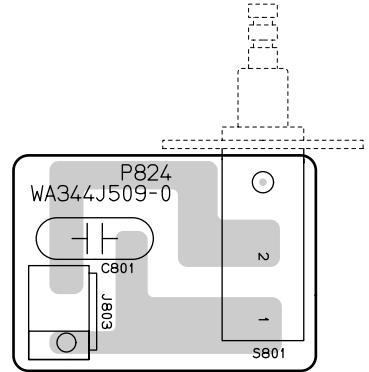
P124



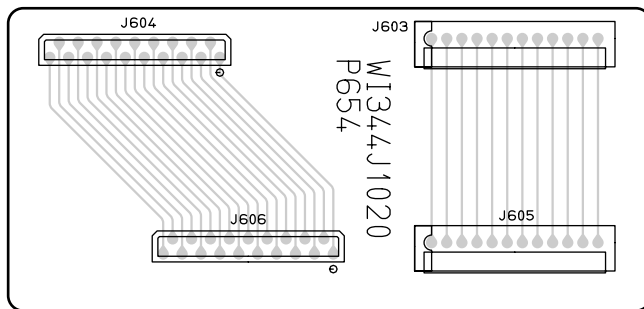
PP94



P824

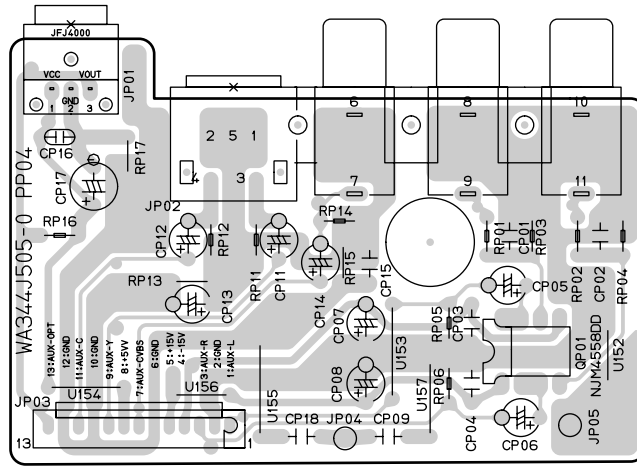


P654



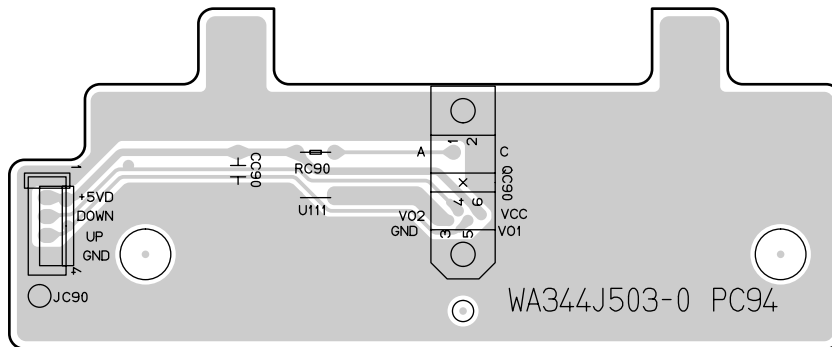
PP04

QP01

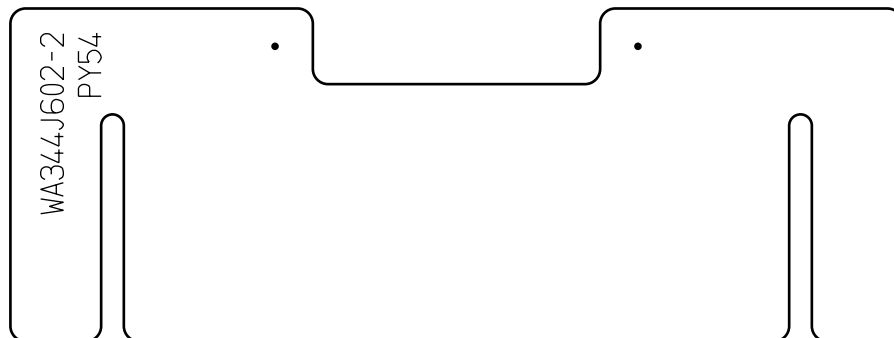


PC94

QC90



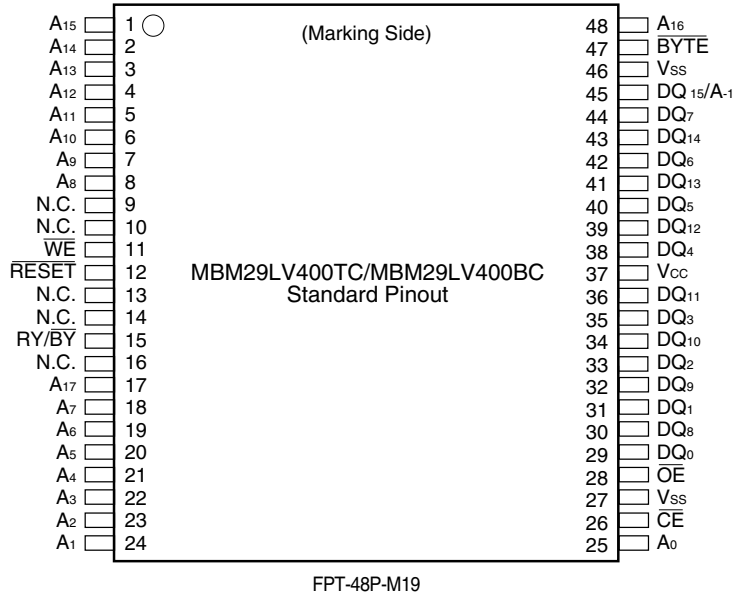
PY54



6. IC DATA

Q671:MBM29LV400TC

Pin Assignment

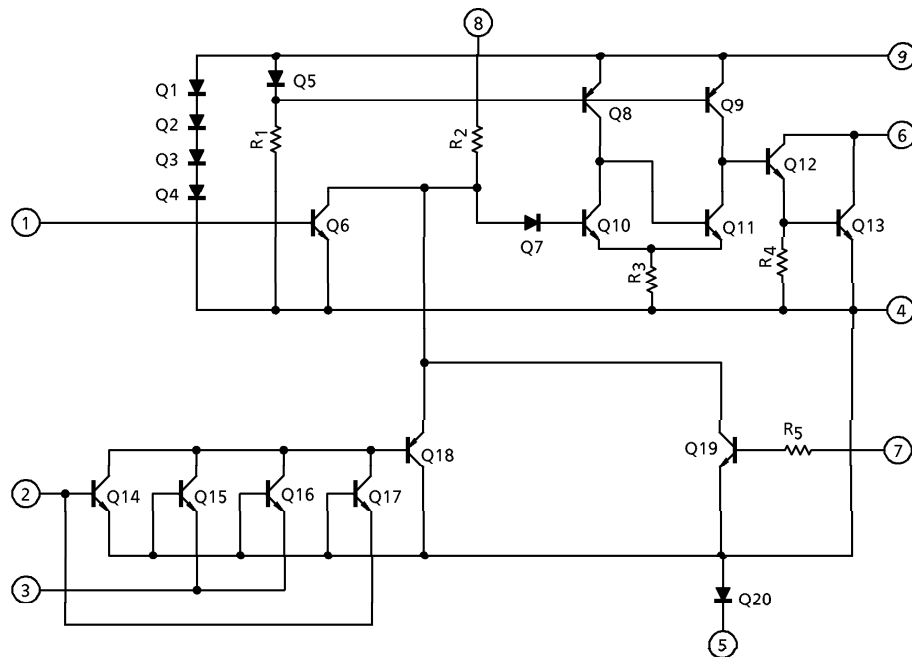


Pin Configuration

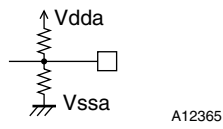
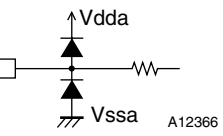
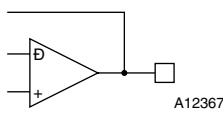
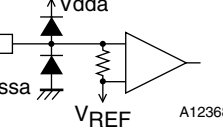
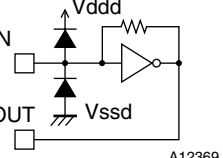
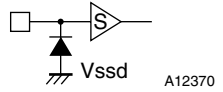
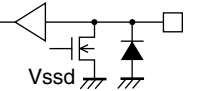
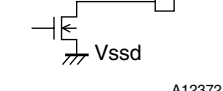
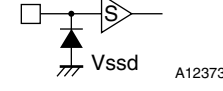
Pin	Function
A-1, A ₀ to A ₁₇	Address Inputs
DQ ₀ to DQ ₁₅	Data Inputs/Outputs
\overline{CE}	Chip Enable
\overline{OE}	Output Enable
\overline{WE}	Write Enable
RY/BY	Ready/Busy Output
\overline{RESET}	Hardware Reset Pin/Temporary Sector Unprotection
BYTE	Selects 8-bit or 16-bit mode
N.C.	No Internal Connection
V _{SS}	Device Ground
V _{CC}	Device Power Supply

QN01:TA7317P

Equivalent Circuit Diagram



Pin Functions

Pin No.	Pin name	Function	I/O	Pin circuit
1	VREF	Reference voltage output (Vdda/2)	Output	 A12365
2	MPXIN	Baseband (multiplexed) signal input	Input	 A12366
5	FLOUT	Subcarrier output (filter output)	Output	 A12367
6	CIN	Subcarrier input (comparator input)	Input	 A12368
3	Vdda	Analog system power supply (+5 V)	\bar{N}	\bar{N}
4	Vssa	Analog system ground	\bar{N}	\bar{N}
12	XOUT	Crystal oscillator output (4.332/8.664 MHz)	Output	 A12369
13	XIN	Crystal oscillator input (external reference signal input)	Input	
7	T1	Test input (This pin must always be connected to ground.)	Input	 A12370
8	T2	Test input (standby control) 0: Normal operation, 1: Standby state (crystal oscillator stopped)	Input	
9	T3 (RDCL)	Test I/O (RDS clock output)	I/O*	 A12371
10	T4 (RDDA)	Test I/O (RDS data output)		
11	T5 (RSFT)	Test I/O (soft-decision control data output)		
16	T6 (ERROR/57K/TP/BE1)	Test I/O (error status output, regenerated carrier output, TP output, error block count output)		
17	T7 (CORREC/ARI-ID/TA/BE0)	Test I/O (Error correction status output, SK detection output, TA output, error block count output)	Output	 A12372
18	SYNC	Block synchronization detection output		
19	RDS-ID	RDS detection output	Input	 A12373
20	DO	Data output		
21	CL	Clock input		
22	DI	Data input		
23	CE	Chip enable	\bar{N}	\bar{N}
24	SYR	Synchronization and RAM address reset (active high)		
14	Vddd	Digital system power supply (+5 V)	\bar{N}	\bar{N}
15	Vssd	Digital system ground	\bar{N}	\bar{N}

Note: * Normally function as an output pin. Used as an I/O pin in test mode, which is not available to user applications.

Pin Functions

No.	Pin name	I/O	Function
1	DISEL	I	Data input pin (DIN0, DIN1) selection input pin
2	DOUT	O	Input bi-phase data through output pin
3	DIN0	I	Digital data input pin (CMOS level, with pull-down resistance when no selected)
4	DIN1	I	Digital data input pin (CMOS level, with pull-down resistance when no selected)
5	DIN2	I	Digital data input pin (TTL level)
6	DGND		Digital GND
7	DVDD		Digital power supply
8	R	I	VCO gain control input pin
9	VIN	I	VCO free-running frequency setting input pin
10	LPF	O	PLL loop filter setting pin
11	AVDD		Analog power supply
12	AGND		Analog GND
13	CKOUT	O	Clock output pin (256 fs, 384 fs, 512 fs, crystal oscillation, VCO free-running oscillation)
14	BCK	O	64 fs clock output pin
15	LRCK	O	fs clock output pin (L = R-ch, H = L-ch, I ² S = inverted)
16	DATAO	O	Data output pin
17	XSTATE	O	Source clock switch monitor output pin
18	DGND		Digital GND
19	DVDD		Digital power supply
20	XMCK	O	Crystal oscillation clock output pin (24.576 MHz or 12.288 MHz)
21	XOUT	O	Crystal oscillator connection output pin
22	XIN	I	Crystal oscillator connection input pin, external signal input supported (24.576 MHz or 12.288 MHz)
23	EMPHA	O	Channel status emphasis information output pin
24	AUDIO	O	Channel status bit 1 (non-PCM data detection bit) output pin
25	CSFLAG	O	First 40 channel status bits update flag output pin
26	F0/P0/C0	O	Input fs calculation signal output/Pc data type output/input word length information output pin
27	F1/P1/C1	O	Input fs calculation signal output/Pc data type output/input word length information output pin
28	F2/P2/C2	O	Input fs calculation signal output/Pc data type output/input word length information output pin
29	VF/P3/C3	O	Validity flag output/Pc data type output/input word length information output pin
30	DVDD		Digital GND
31	DGND		Digital power supply
32	AUTO	O	Non-PCM burst data transfer detection signal (Pa, Pb detection) output pin
33	BPSYNC	O	Non-PCM burst preamble Pa, Pb, Pc, Pd sync signal output pin
34	ERROR	O	PLL lock error or data error flag output pin
35	DO	O	Microcontroller IF/read data output pin
36	DI	I	Microcontroller IF/write data input pin
37	CE	I	Microcontroller IF/Chip enable input pin
38	CL	I	Microcontroller IF/clock input pin
39	XSEL	I	[XIN] crystal oscillation selection input pin (24.576 MHz or 12.288 MHz)
40	MODE0	I	Mode setting input pin
41	MODE1	I	Mode setting input pin
42	DGND		Digital GND
43	DVDD		Digital power supply
44	DOSEL0	I	Output data format selection input pin
45	DOSEL1	I	Output data format selection input pin
46	CKSEL0	I	Output clock selection input pin
47	CKSEL1	I	Output clock selection input pin
48	XMODE	I	System reset input pin

Note: * Perform digital power supply (DVDD) and analog power supply (AVDD) ON/OFF with the same potential and the same timing as a latch-up countermeasure.

Pin Description

No.	Pin Name	I/O	Function																				
1	VREFL	O	Lch Reference Voltage Pin, 3.75V Normally connected to GNDL with a 10 μ F electrolytic capacitor and a 0.1 μ F ceramic capacitor																				
2	GNDL	-	Lch Reference Ground Pin, 0V																				
3	VCOML	O	Lch Common Voltage Pin, 2.75V																				
4	AINL+	I	Lch Analog positive input Pin																				
5	AINL-	I	Lch Analog negative input Pin																				
6	ZCAL	I	Zero Calibration Control Pin This pin controls the calibration reference signal. "L": VCOML and VCOMR "H": Analog Input Pins(AINL \pm , AINR \pm)																				
7	VD	-	Digital Power Supply Pin, 3.3V																				
8	DGND	-	Digital Ground Pin, 0V																				
9	CAL	O	Calibration Active Signal Pin "H" means the offset calibration cycle is in progress. Offset calibration starts when RST goes "H". CAL goes "L" after 8704 LRCK cycles for DFS="L", 17408 LRCK cycles for DFS="H".																				
10	RST	I	Reset Pin When "L", Digital section is powered-down. Upon returning "H", an offset calibration cycle is started. An offset calibration cycle should always be initiated after power-up.																				
11 12	SMODE2 SMODE1	I I	Serial Interface Mode Select Pin MSB first, 2's compliment. <table border="0" style="margin-left: 20px;"> <tr> <td>SMODE2</td> <td>SMODE1</td> <td>MODE</td> <td>LRCK</td> </tr> <tr> <td>L</td> <td>L</td> <td>Slave mode : MSB justified</td> <td>: H/L</td> </tr> <tr> <td>L</td> <td>H</td> <td>Master mode : Similar to I²S</td> <td>: H/L</td> </tr> <tr> <td>H</td> <td>L</td> <td>Slave mode : I²S</td> <td>: L/H</td> </tr> <tr> <td>H</td> <td>H</td> <td>Master mode: I²S</td> <td>: L/H</td> </tr> </table>	SMODE2	SMODE1	MODE	LRCK	L	L	Slave mode : MSB justified	: H/L	L	H	Master mode : Similar to I ² S	: H/L	H	L	Slave mode : I ² S	: L/H	H	H	Master mode: I ² S	: L/H
SMODE2	SMODE1	MODE	LRCK																				
L	L	Slave mode : MSB justified	: H/L																				
L	H	Master mode : Similar to I ² S	: H/L																				
H	L	Slave mode : I ² S	: L/H																				
H	H	Master mode: I ² S	: L/H																				
13	LRCK	I/O	Left/Right Channel Select Clock Pin LRCK goes "H" at SMODE2="L" and "L" at SMODE2="H" during reset when SMODE1 "H".																				
14	SCLK	I/O	Serial Data Clock Pin Data is clocked out on the falling edge of SCLK. Slave mode: SCLK requires more than 48fs clock. Master mode: SCLK outputs a 128fs(DFS="L") or 64fs(DFS="H") clock. SCLK stays "L" during reset.																				
15	SDATA	O	Serial Data Output Pin MSB first, 2's complement. SDATA stays "L" during reset.																				
16	FSYNC	I/O	Frame Synchronization Signal Pin Slave mode: When "H", the data bits are clocked out on SDATA. In I ² S mode, FSYNC is Don't care. Master mode: FSYNC outputs 2fs clock. FSYNC stays "L" during reset.																				
17	MCLK	I	Master Clock Input Pin 256fs at DFS="L", 128fs at DFS="H".																				
18	DFS	I	Double Speed Sampling Mode Pin "L": Normal Speed "H": Double Speed																				

19	HPFE	I	High Pass Filter Enable Pin "L": Disable "H": Enable
20	TEST	I	Test Pin(pull-down pin) Should be connected to GND.
21	BGND	-	Substrate Ground Pin, 0V
22	AGND	-	Analog Ground Pin, 0V
23	VA	-	Analog Supply Pin, 5V
24	AINR-	I	Rch Analog negative input Pin
25	AINR+	I	Rch Analog positive input Pin
26	VCOMR	O	Rch Common Voltage Pin, 2.75V
27	GNDR	-	Rch Reference Ground Pin, 0V
28	VREFR	O	Rch Reference Voltage Pin, 3.75V Normally connected to GNDR with a 10 μ F electrolytic capacitor and a 0.1 μ F ceramic capacitor

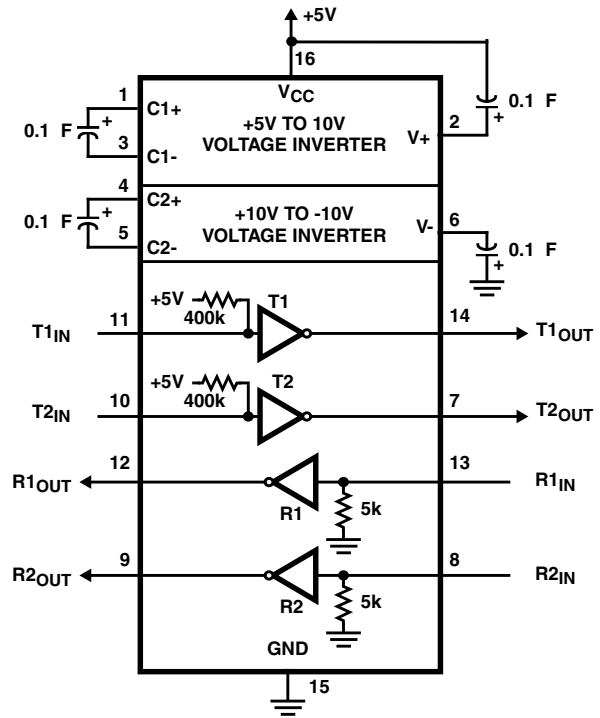
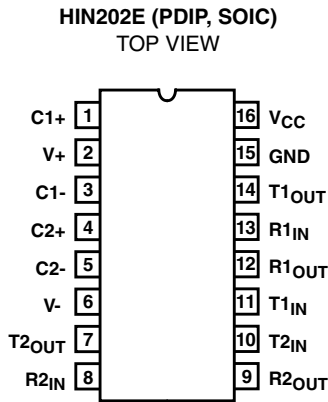
Note: All digital inputs should not be left floating

QA07/QU71:PCF8574

Pin Description

SYMBOL	PIN		DESCRIPTION
	DIP16; SO16	SSOP20	
A0	1	6	address input 0
A1	2	7	address input 1
A2	3	9	address input 2
P0	4	10	quasi-bidirectional I/O 0
P1	5	11	quasi-bidirectional I/O 1
P2	6	12	quasi-bidirectional I/O 2
P3	7	14	quasi-bidirectional I/O 3
V _{SS}	8	15	supply ground
P4	9	16	quasi-bidirectional I/O 4
P5	10	17	quasi-bidirectional I/O 5
P6	11	19	quasi-bidirectional I/O 6
P7	12	20	quasi-bidirectional I/O 7
$\overline{\text{INT}}$	13	1	interrupt output (active LOW)
SCL	14	2	serial clock line
SDA	15	4	serial data line
V _{DD}	16	5	supply voltage
n.c.	-	3	not connected
n.c.	-	8	not connected
n.c.	-	13	not connected
n.c.	-	18	not connected

Pin Assignment



Pin Descriptions

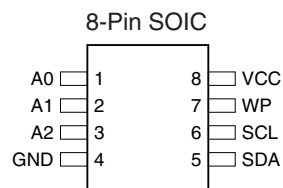
PIN	FUNCTION
VCC	Power Supply Input 5V 10%, (5V 5% HIN207E).
V+	Internally generated positive supply (+10V nominal).
V-	Internally generated negative supply (-10V nominal).
GND	Ground Lead. Connect to 0V.
C1+	External capacitor (+ terminal) is connected to this lead.
C1-	External capacitor (- terminal) is connected to this lead.
C2+	External capacitor (+ terminal) is connected to this lead.
C2-	External capacitor (- terminal) is connected to this lead.
T _{IN}	Transmitter Inputs. These leads accept TTL/CMOS levels. An internal 400k pull-up resistor to VCC is connected to each lead.
T _{OUT}	Transmitter Outputs. These are RS-232 levels (nominally 10V).
R _{IN}	Receiver Inputs. These inputs accept RS-232 input levels. An internal 5k pull-down resistor to GND is connected to each input.
R _{OUT}	Receiver Outputs. These are TTL/CMOS levels.
EN	Enable Input. This is an active low input which enables the receiver outputs. With $\overline{EN} = 5V$, the outputs are placed in a high impedance state.
SD, \overline{SD}	Shutdown Input. With $SD = 5V$ (HIN213E $\overline{SD} = 0V$), the charge pump is disabled, the receiver outputs are in a high impedance state (except R4 and R5 of HIN241E) and the transmitters are shut off.
NC	No Connect. No connections are made to these leads.

Pin Functions

Pin No.	Symbol	Function	Description
1	V _{SS1}	Ground	Ground connection (digital system ground)
2	Xtal _{IN}	Crystal oscillator connection	Used to connect the crystal oscillator and capacitor used to generate the internal synchronization signal, or to input an external clock (2fsc or 4fsc).
3	Xtal _{OUT}		
4	CTRL1	Crystal oscillator input switching	Switches between external clock input mode and crystal oscillator mode. Low = crystal oscillator mode, high = external clock mode
5	BLANK	Blanking output	Outputs the blank signal (the OR of the character and border signals). (Outputs a composite sync signal when MOD0 is high.) Outputs the crystal oscillator clock during reset (when the RST pin is low), but can be set up to not output this signal by microprocessor command.
6	OSC _{IN}	LC oscillator connection	Connections for the coil and capacitor that form the oscillator that generates the character output dot clock.
7	OSC _{OUT}		
8	CHARA	Character output	Outputs the character signal. (Functions as the external synchronization signal discrimination signal output pin when MOD0 is high, and outputs the state of the judgment as to whether the external synchronization signal is present or not. Outputs a high level when the synchronization signal is present.) Outputs the dot clock (LC oscillator) during reset, but can be set up to not output this signal by microprocessor command.
9	$\overline{\text{CS}}$	Enable input	Serial data input enable input. Serial data input is enabled when low. A pull-up resistor is built in (hysteresis input).
10	SCLK	Clock input	Serial data input clock input. A pull-up resistor is built in (hysteresis input).
11	SIN	Data input	Serial data input. A pull-up resistor is built in (hysteresis input).
12	V _{DD2}	Power supply	Composite video signal level adjustment power supply pin (analog system power supply).
13	CV _{OUT}	Video signal output	Composite video signal output
14	NC		Must be either connected to ground or left open.
15	CV _{IN}	Video signal input	Composite video signal input
16	V _{DD1}	Power supply	Power supply (+5 V: digital system power supply)
17	SYN _{IN}	Sync separator circuit input	Video signal input for the built-in sync separator circuit (Used for either horizontal synchronization signal or composite sync signal input when the built-in sync separator circuit is not used.)
18	SEP _C	Sync separator circuit bias voltage	Built-in sync separator circuit bias voltage monitor pin
19	SEP _{OUT}	Composite sync signal output	Built-in sync separator circuit composite sync signal output. (When MOD1 is high, outputs a high level during internal synchronization and a low level during external synchronization.) (Outputs the SYN _{IN} input signal when the internal sync separator circuit is not used.)
20	SEP _{IN}	Vertical synchronization signal input	Inputs a vertical synchronization signal created by integrating the SEP _{OUT} pin output signal. An integrator must be attached at the SEP _{OUT} pin. This pin must be tied to V _{DD1} if unused.
21	CTRL2	NTSC/PAL-M switching input	The setting indicated by this pin takes priority in switching between the NTSC, PAL, PAL-M and PAL-N formats. A low level selects NTSC after a reset. The microprocessor command NTSC, PAL, PAL-M, or PAL-N setting is valid. High = PAL-M format.
22	CTRL3	SEP _{IN} input control	Controls whether or not the $\overline{\text{VSYNC}}$ signal is input to the SEP _{IN} input. Low = $\overline{\text{VSYNC}}$ input, high = VSYNC not input.
23	RST	Reset input	System reset input. A pull-up resistor is built in (hysteresis input).
24	V _{DD1}	Power supply (+5 V)	Power supply (+5 V: digital system power supply)

Pin Configuration

Pin Name	Function
A0 - A2	Address Inputs
SDA	Serial Data
SCL	Serial Clock Input
WP	Write Protect
NC	No Connect



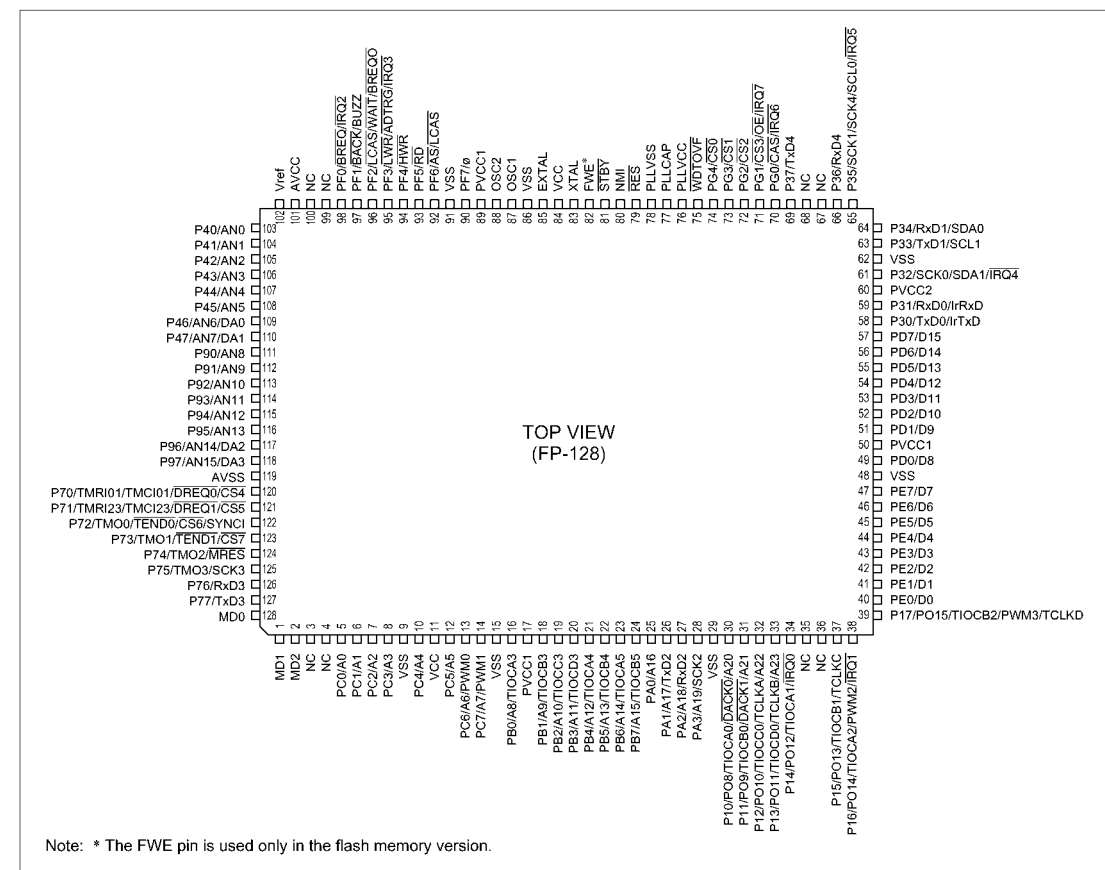
Pin Description

pin	port mode = 7	I/O	use	Name	Port Setting		Note
					Act.	init	
1	MD1	I	YES	MD1	-	-	Fix H
2	MD2	I	YES	MD2	-	-	Normal :H, Boot :L
3	NC	-	-		-	-	N.C.
4	NC	-	-		-	-	N.C.
5	PC0	I/O	O	DATAOTU	-	L	Tuner Pack
6	PC1	I/O	O	CLKTU	-	L	Tuner Pack
7	PC2	I/O	O	_CETU	L	L	Tuner Pack
8	PC3	I/O	I	DATAITU	-		Tuner Pack
9	VSS	I	YES	GND	-	-	GND
10	PC4	I/O	I	SD	L		Tuned
11	VCC	I	YES	VCC	-	-	3.3V
12	PC5	I/O	I	TUST	H		Stereo Tune/_MONO
13	PC6/PWM0	I/O	O	_CERDS	L	L	Tuner Pack(RDS)
14	PC7/PWM1	I/O	I	RDSDATA	-		Tuner Pack(RDS)
15	VSS	I	YES	GND	-	-	GND
16	PB0/TIOCA3	I/O	T_IN	VSYN	H		V-sync Det. & Change OSD
17	PVCC1	I	YES	PVCC1	-	-	+5V
18	PB1/TIOCB3	I/O	O	_Data(Inverted)		H	P-Exp. (mute, Video), Analog SW, Volume
19	PB2/TIOCC3	I/O	O	_CLK(Inverted)		H	P-Exp.(mute, Video), Analog SW, Volume
20	PB3/TIOCD3	I/O	O	_CEEXP	L	H	P-Exp. (mute, Video),
21	PB4/TIOCA4	I/O	T_OUT	RC_BUS_OUT		L	RC BUS Output
22	PB5/TIOCB4	I/O	O	KILLIR	H	L	Kill to IR input signal.
23	PB6/TIOCA5	I/O	T_OUT	MRC50		L	RC BUS MULTI Output
24	PB7/TIOCB5	I/O	O	_UMUTE	L	L	logic for Tr mute
25	PA0	I/O	O	RTS		L	UART
26	PA1/TxD2	I/O	SO	TXD		L	UART for Panja, Flash WR Necessary to Pull Up
27	PA2/RxD2	I/O	SI	RXD		-	UART for Panja, Flash WR Necessary to Pull Up
28	PA3/SCK2	I/O	I	CTS	-	-	UART
29	Vss	I	-	GND	-	-	Ground
30	P10/TIOCA0/	I/O	T_OUT	RC6STAT	H	L	IR carry out
31	P11/TIOCB0/	I/O	T_IN	RCIN			IR In for RC-5 \$ RC-6
32	P12/	I/O	O	_SMUTE	L	L	DAC
33	P13/	I/O	O	DFS	H	L	DAC&ADC
34	P14/_IRQ0	I/O	INT	_PDOWN	L	-	Power Down Detect
35	NC	-	-	N.C.	-	-	
36	NC	-	-	N.C.	-	-	
37	P15/	I/O	O	_RSTDAC	L	L	DAC
38	P16/_IRQ1	I/O	INT	ERF	H	-	error from DIR

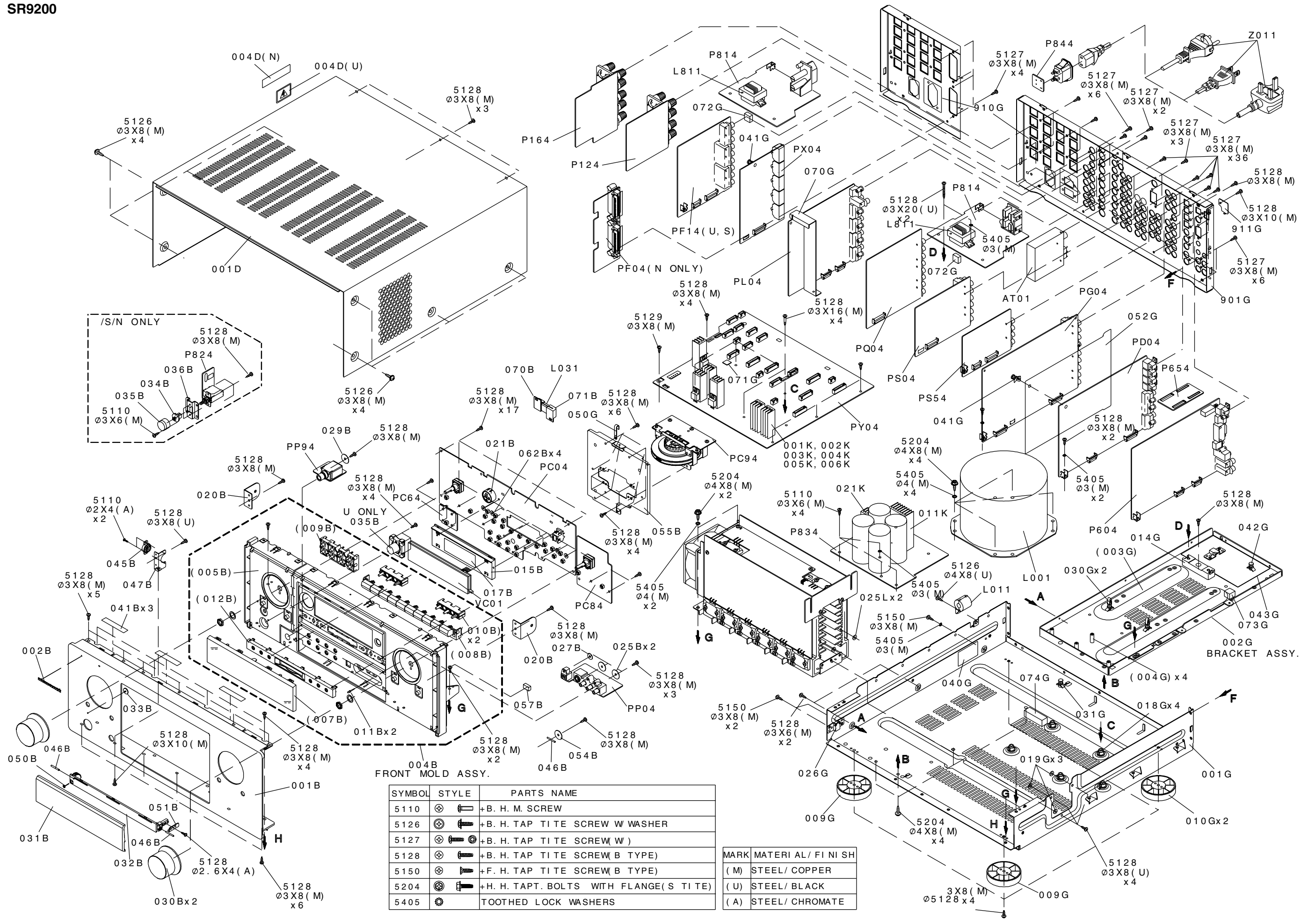
39	P17/	I/O	O	ADCAL	L	L	ADC
40	PE0	I/O	O	DATAODIR		L	DIR
41	PE1	I/O	O	CLKDIR		L	DIR
42	PE2	I/O	O	_CEDIR	L	L	DIR
43	PE3	I/O	I	DATAIDIR		L	DIR
44	PE4	I/O	I	XSTATE		-	DIR
45	PE5	I/O	O	_XMODE	L	L	DIR
46	PE6	I/O	O	KILLSCI	H	L	Kill CLKto Analog Input IC
47	PE7	I/O	O	_STANDBY	L	L	Standby Power
48	VSS	I	-	GND	-	-	GND
49	PD0	I/O	I/O	EMADU0	-	L	exFROM I/F
50	PVCC1	I	-	PVcc	-	-	+5V
51	PD1	I/O	I/O	EMADU1	-	L	exFROM I/F
52	PD2	I/O	I/O	EMADU2	-	L	exFROM I/F
53	PD3	I/O	I/O	EMADU3	-	L	exFROM I/F
54	PD4	I/O	I/O	EMADU4	-	L	exFROM I/F
55	PD5	I/O	I/O	EMADU5	-	L	exFROM I/F
56	PD6	I/O	I/O	EMADU6	-	L	exFROM I/F
57	PD7	I/O	I/O	EMADU7	-	L	exFROM I/F
58	P30/	I/O	I	PEAK	H	-	Peak Indicator
59	P31/	I/O	O	_RSTFL	L	L	Reset FL Driver
60	PVCC2	I	-	PVcc	-	-	+5V
61	P32/SDA1/ IRQ4/	I/O	Int	_PROTECT2	L	-	Emergency Protection
62	VSS	I	-	GND	-	-	GND
63	P33/SCL1/	I/O	O	BTMODE3	-	L	exFROM I/F
64	P34/SDA0/	I/O	SD	IICDATA	-	L	I2C0 for DSP,E2PROM,EXP
65	P35/SCL0/ IRQ5/	I/O	SC	IICCLK	-	L	I2C0 for DSP,E2PROM,EXP
66	P36/RxD4	I/O	O	_RSTDSP1	L	L	DSP1
67	NC	-	-	N.C.	-	-	N.C.
68	NC	-	-	N.C.	-	-	N.C.
69	P37/TxD4	I/O	O	_RSTDSP2	L	L	DSP1
70	PG0/_IRQ6	I/O	O	BTMODE1	-	L	exFROM I/F
71	PG1/_IRQ7	I/O	O	BTMODE2	-	L	exFROM I/F
72	PG2	I/O	O	_FRWE	L	L	exFROM I/F
73	PG3	I/O	O	_FROE	L	L	exFROM I/F
74	PG4	I/O	O	_FREXTMEM	-	L	exFROM I/F
75	_WDTOVF	O	No		L	-	WDT OVF Output
76	PLLVCC	I	YES	PLLVCC	-	-	DC supply for PLL (3.3V)
77	PLLCAP	I	YES		-	-	For PLL
78	PCCVSS	I	YES	GND	-	-	GND for PLL
79	_RES	I	YES		L	-	Reset
80	MNI	I	NO		-	-	Fix H
81	_STBY	I	NO		L	H	Fix H
82	FWE	I	YES	FWE	H	L	Normal :L, Boot :H
83	XTAL	I	YES		-	-	X'tal (4 or 5M)
84	VCC	I	YES	Vcc	-	-	+3.3V
85	EXTAL	I	YES		-	-	X'tal (4 or 5M)
86	VSS	I	-	GND	-	-	GND
87	OSC1	I	NO		-	-	+3.3V
88	OSC2	I	NO		-	-	N.C.
89	PVCC1	I	YES	PVcc	-	-	+5V
90	PF7/ ϕ	I/O	I	CAL	H	-	Calibration status from ADC
91	VSS	I	YES	GND	-	-	GND
92	PF6	I/O	O	CE_ASW	L	L	Analog Switch
93	PF5	I/O	O	CE_VOL		L	Volume IC
94	PF4	I/O	O	CE_VOL-M		L	Volume IC
95	PF3/_IRQ3/	I/O	INT	REQ2	L	-	DSP2
96	PF2	I/O	O	_SPKROFF	L	L	Speaker relay
97	PF1/BUZZ	I/O	O	_BHIGH	L	L	Power Amp
98	PF0/_IRQ2	I/O	INT	REQ1	L	-	DSP1
99	NC	-	-		-	-	N.C.
100	NC	-	-		-	-	N.C.
101	AVCC	I	-	AVcc	-	-	+5V
102	Vref	I	-	Vref	-	-	+5V

103	P40/AN0	I	AD	KEY0	-	-	Front Key
104	P41/AN1	I	AD	KEY1	-	-	Front Key
105	P42/AN2	I	AD	KEY2	-	-	Front Key
106	P43/AN3	I	AD	KEY3	-	-	Front Key
107	P44/AN4	I	AD	PROTECT1	-	-	Protect SPKR
108	P45/AN5	I	AD	MODE1	-	-	CPU mode
109	P46/AN6/DA0	I	AD	MODE2	-	-	CPU mode
110	P47/AN7/DA1	I	I	GYRO-	-	-	Front Gyro
111	P90/AN8	I	I	GYRO+	-	-	Front Gyro
112	P91/AN9	I	I	VOL+	-	-	Front Vol. Encoder
113	P92/AN10	I	I	VOL-	-	-	Front Vol. Encoder
114	P93/AN11	I	I	SEL+	-	-	Front Select. Encoder
115	P94/AN12	I	I	SEL-	-	-	Front Select. Encoder
116	P95/AN13	I	I	_HPDET	L	-	HP Jack
117	P96/AN14/DA2	I	I	AVSSDET	H	-	power circuit
118	P97/AN15/DA3	I	I	MLTRC5I	-	-	Multi RC5 IN
119	AVSS	I	-	GND	-	-	GND
120	P70/	I/O	O	_STBY LED	L	H*	Standby LED On
121	P71/	I/O	O	_RSFL	L	L	Front FL driver
122	P72/	I/O	O	_CEFLD	L	L	Front FL driver
123	P73/	I/O	O	_BPOSD	L	L	Video Circuit
124	P74/	I/O	O	_CEOSD	L	H	Video Circuit
125	P75/SCK3/	I/O	SC	SI0CLK	-	-	Front FL & Video(OSD)
126	P76/RxD3	I/O	O	D_A	-	L	DIR or _ADC sel
127	P77/TxD3	I/O	SO	SIODATA	-	-	Front FL & Video(OSD)
128	MD0	I	YES	MD0	-	-	+5V

Pin Assignment



7. EXPLODED VIEW AND PARTS LIST
SR9200

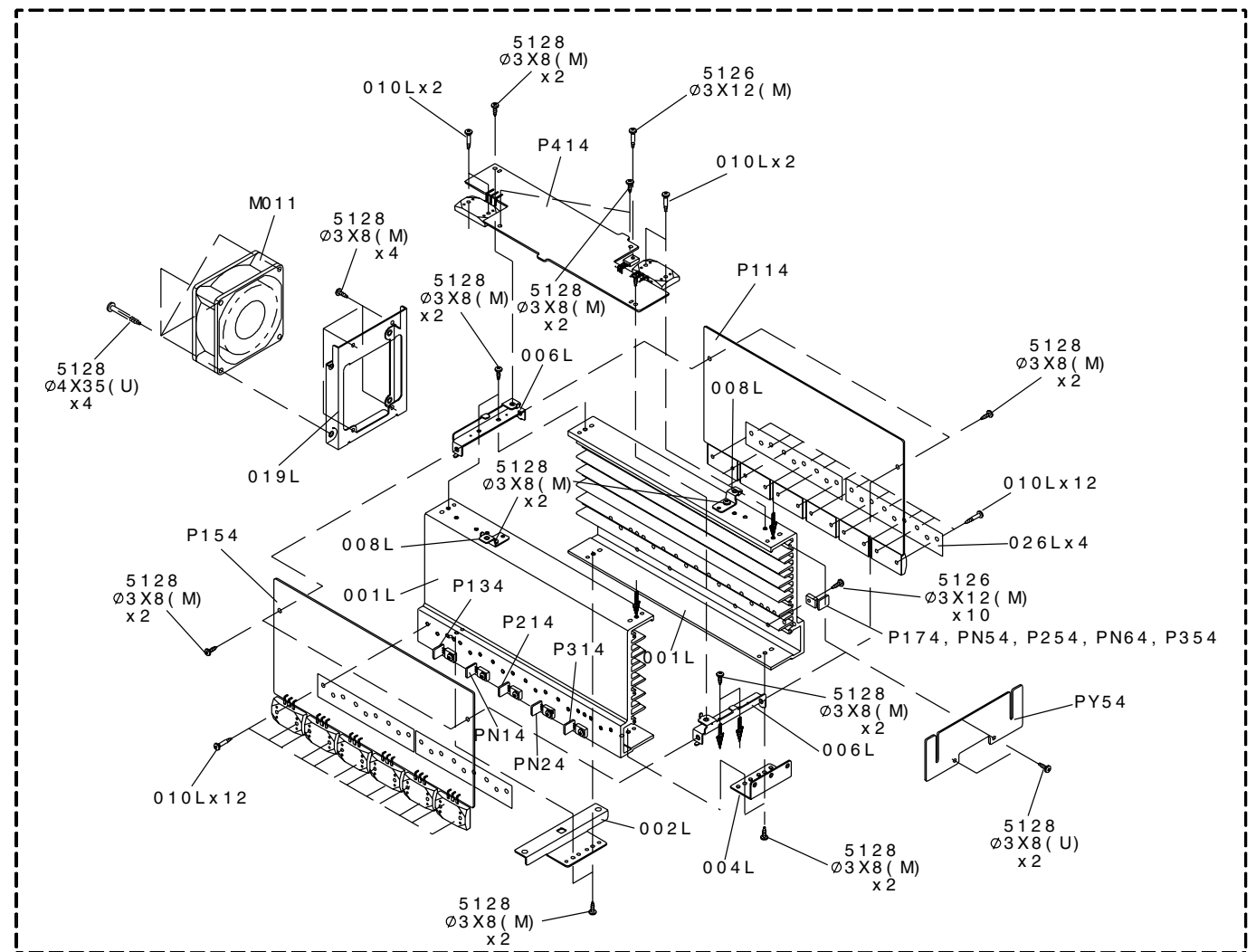
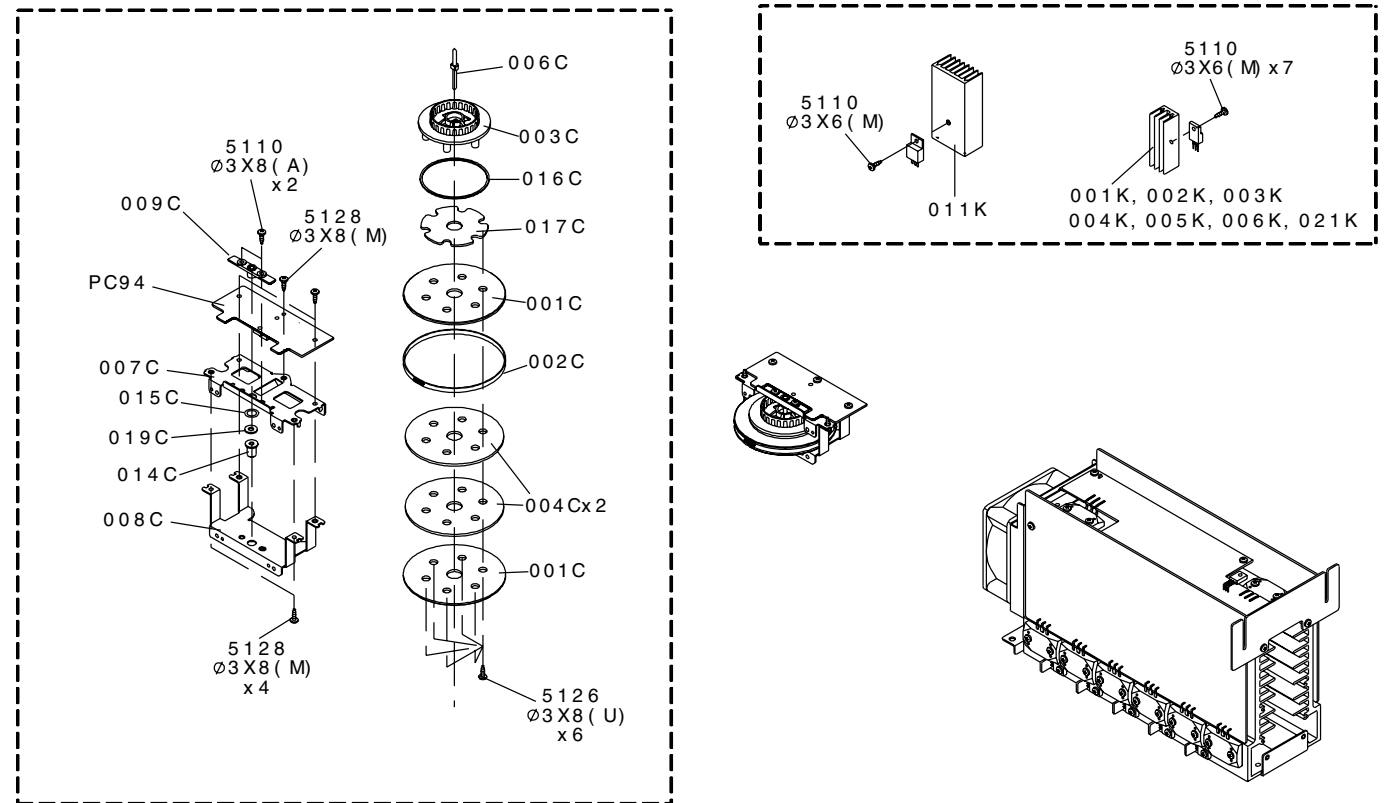


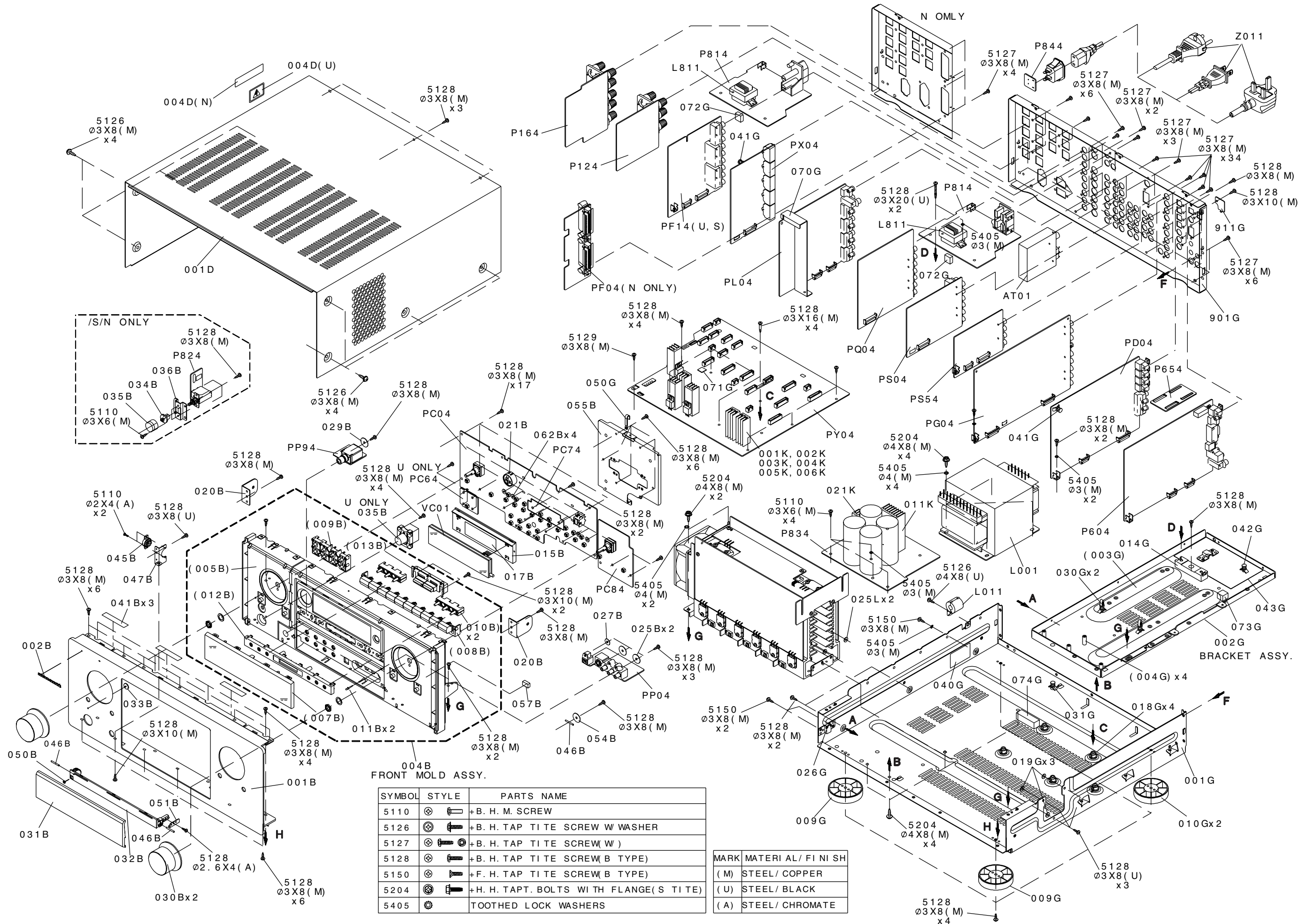
SYMBOL	STYLE	PARTS NAME
5110	⊕	+B. H. M. SCREW
5126	⊕	+B. H. TAP TITE SCREW W WASHER
5127	⊕	+B. H. TAP TITE SCREW (W)
5128	⊕	+B. H. TAP TITE SCREW (B TYPE)
5150	⊕	+F. H. TAP TITE SCREW (B TYPE)
5204	⊕	+H. H. TAPT. BOLTS WITH FLANGE (S TITE)
5405	⊕	TOOTHED LOCK WASHERS

MARK	MATERI AL/ FINI SH
(M)	STEEL/ COPPER
(U)	STEEL/ BLACK
(A)	STEEL/ CHROMATE

POS. NO	VERS. COLOR	PART NO. (FOR PCS)	DESCRIPTION	PART NO. (MJ)	POS. NO	VERS. COLOR	PART NO. (FOR PCS)	DESCRIPTION	PART NO. (MJ)
001B	/N/S BLK	9965 000 12755	FRONT PANEL(SR9200 BL)	344J248010	L031		9965 000 12662	FERRITE CORE SSC-40-12	FC90400010
001B	/N GLD	9965 000 12771	FRONT PANEL(SR9200 GL)	344J248110	▲M011		9965 000 01770	D.C MOTOR COOLING FAN	MM01200320
001B	/S GLD		FRONT PANEL(SR9200 GL)	344J248110	WC01		9965 000 12335	JUMPER LEAD FFC JC01(PC04)-JU04(P604)	YU23730530
001B	/U BLK		FRONT PANEL STDBY(BLACK)	344J248020	WY01		9965 000 12336	JUMPER LEAD FFC 15P JY23-TUNERPACK	YU15200500
001B	/U GLD		FRONT PANEL STDBY (GOLD)	344J248120					
002B		4822 459 11172	MARANTZ BADGE	185J251010					
007B	/N/S	9965 000 12756	WINDOW(SR9200)	343J158110					
008B	BLK	9965 000 12757	FUNCTION BUTTON (BLACK)	343J270050					
008B	/N GLD	9965 000 12772	FUNCTION BUTTON (GOLD)	343J270150					
008B	/S/U GLD		FUNCTION BUTTON (GOLD)	343J270150					
009B	BLK	9965 000 12735	DOOR INSIDE BUTTON (BLK)	343J270020					
009B	/N GLD	9965 000 12747	DOOR INSIDE BUTTON (GLD)	343J270120	▲Z011	/N	4822 321 11033	MAINS CORD 2P 250V 10A CLASS2	ZC01803080
009B	/S/U GLD		DOOR INSIDE BUTTON(GLD)	343J270120	▲Z011	/S		MAINS CORD 250V 10A FOR UK	ZC01804100
010B		9965 000 12736	CENTER GOLD BUTTON	343J270030	▲Z011	/U		MAINS CORD 125V13A UL/CSA	ZC01802100
012B	BLK	9965 000 12758	CENTER ESCUTCHEON(BLK)	344J063010					
012B	/N GLD	9965 000 12773	CENTER ESCUTCHEON(GOLD)	344J063110					
012B	/S/U GLD		CENTER ESCUTCHEON(GOLD)	344J063110					
030B	BLK	9965 000 03432	MASTER KNOB (BLACK)	312J154010					
030B	GLD	9965 000 01391	MASTER KNOB (GOLD)	312J154020					
031B	BLK	9965 000 12739	DOOR PANEL(BL)	343J162010					
031B	/N GLD	9965 000 12750	DOOR PANEL(GL)	343J162110					
031B	/S/U GLD		DOOR PANEL(GL)	343J162110					
032B	BLK	9965 000 12740	DOOR HINGE ARM(BL)	343J002010					
032B	/N GLD	9965 000 12751	DOOR HINGE ARM(BL)	343J002110					
032B	/S/U GLD		DOOR HINGE ARM(GL)	343J002110					
033B		9965 000 01393	STANDBY LENS	312J355010					
034B	/N/S	9965 000 01394	POWER BUTTON JOINT	312J125010					
035B	/N/S	9965 000 01975	POWER SW BUTTON (BLACK)	255W270010					
035B	BLK								
035B	/N/S	9965 000 01395	POWER SW BUTTON (GOLD)	255W270110					
035B	/U BLK		POWER SW TACT (BLACK)	320J270040					
035B	/U GLD		POWER SW TACT (GOLD)	320J270240					
045B		4822 529 10215	DOOR DUMPER	391H130030					
057B		4822 526 20213	DOOR MAGNET	271K305500					
001C	BLK	4822 410 11675	ESCUTCHEON GYRO ESC. (UP & DOWN:BL)	290J063010					
001C	GLD	4822 410 11676	ESCUTCHEON GYRO ESC. (UP & DOWN:GL)	290J063110					
002C	BLK	9965 000 12759	GYRO RUBBER RING (BL)	344J066010					
002C	/N GLD	9965 000 12774	GYRO RUBBER RING (GL)	344J066110					
002C	/S/U GLD		GYRO RUBBER RING (GL)	344J066110					
003C		9965 000 01397	FLYWHEEL GYRO BASE	290J273110					
016C		9965 000 12760	RUBBER RING FOR GYRO	344J066020					
009G		4822 462 42045	LEG (FRONT SIDE)	183J057010					
010G		4822 462 42048	LEG (REAR SIDE)	183J057110					
024G	/N/S		REAR SIDE STOPPER (IEC)	322J114010					
026G	/N/S		FRONT SIDE STOPPER (IEC)	322J114010					
911G			USB HALL COVER	343J053010					
AT01	/N	9965 000 12333	VHF TUNER MODULE TFCE1LXXXA	AV01203040					
AT01	/S		VHF TUNER MODULE TFCE1EXXXA	AV01203030					
AT01	/U		VHFTUNER MODULE TFCE1U118A	AV01202280					
▲L001	/N/S	9965 000 12762	MAINS TRANSF AC230V	TS42002210	001D	BLK		TOP COVER (BLACK)	343J257010
▲L001	/U		MAINS TRANSF AC120V	TS42002200	001D	GLD		TOP COVER (GOLD)	343J257110
L011			FERRITE CORE TFCK-23-11-14	FC50230010	001S			PACKING CASE (SR9200)	344J801010
L021	/N/S	4822 526 10691	FERRITE CORE TFCK-16-8-13	FC50160030	002S			CUSHION (LEFT)	343J809010
					003S			CUSHION (RIGHT)	343J809020

NOTE : *nsp* PART IS LISTED FOR REFERENCE ONLY, MARANTZ WILL NOT SUPPLY THESE PARTS.



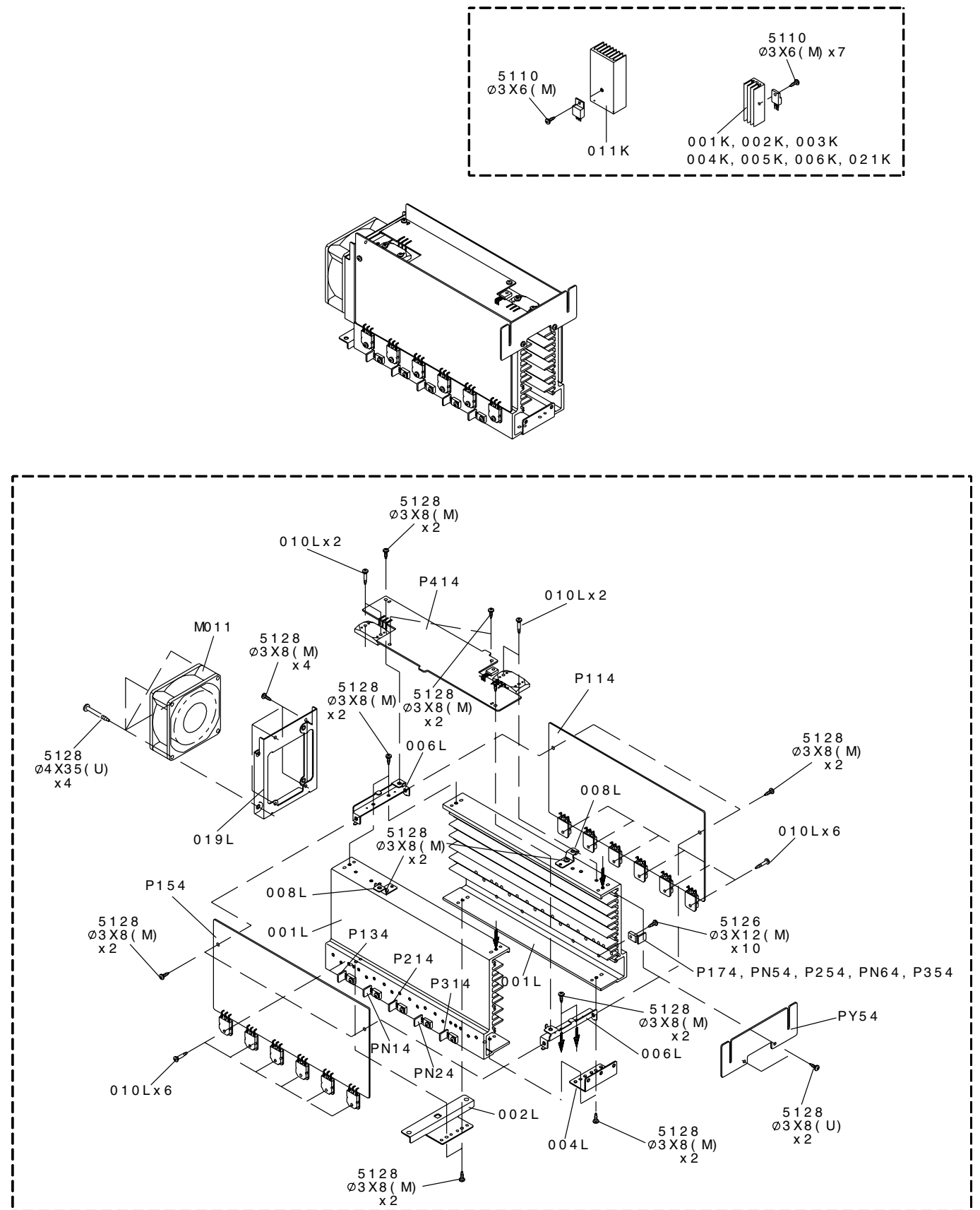


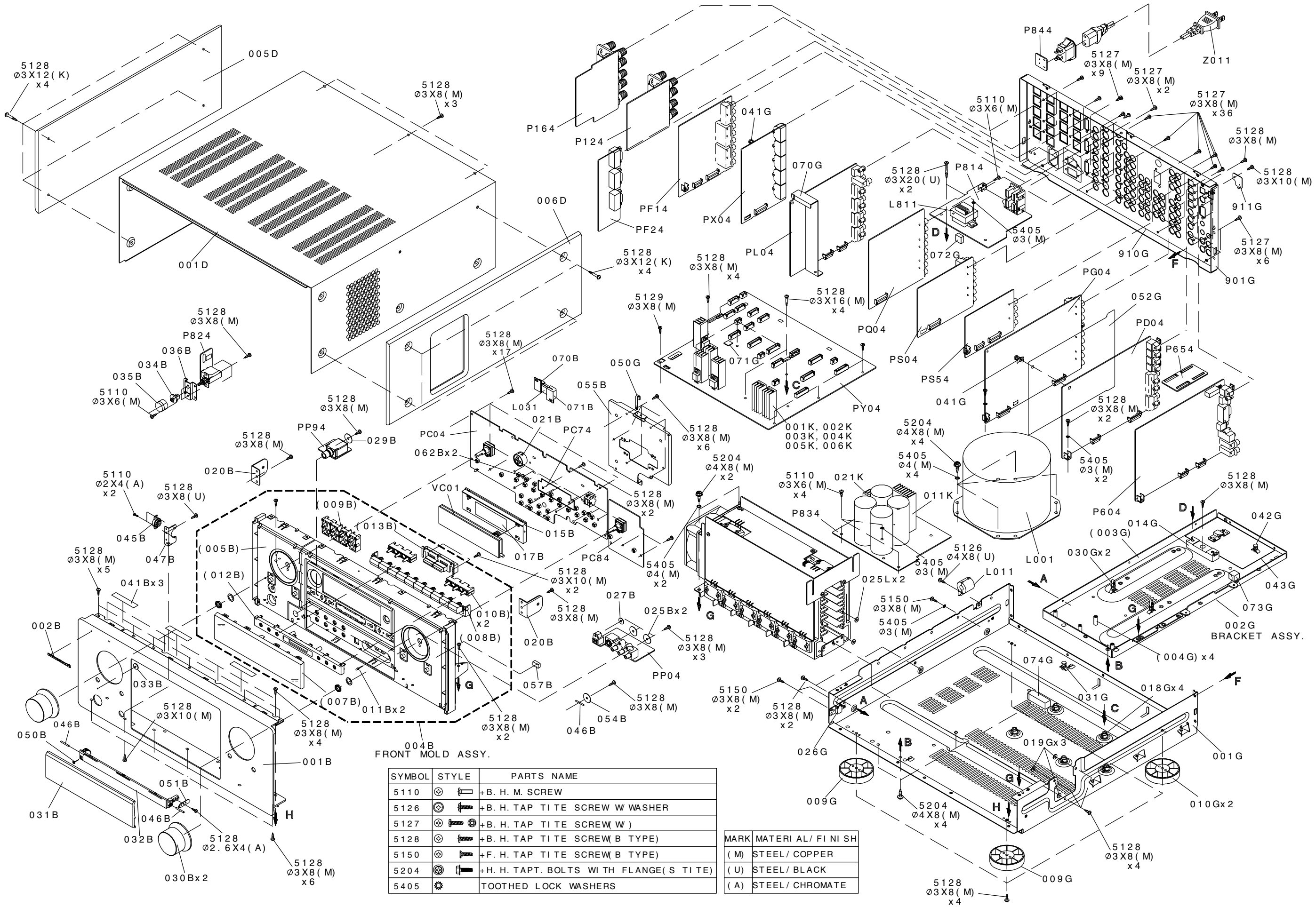
SYMBOL	STYLE	PARTS NAME
5110	⊗	+B. H. M. SCREW
5126	⊗	+B. H. TAP TITE SCREW W WASHER
5127	⊗	+B. H. TAP TITE SCREW(W)
5128	⊗	+B. H. TAP TITE SCREW(B TYPE)
5150	⊗	+F. H. TAP TITE SCREW(B TYPE)
5204	⊗	+H. H. TAPT. BOLTS WITH FLANGE(S TITE)
5405	⊗	TOOTHED LOCK WASHERS

MARK	MATERI AL/ FI NI SH
(M)	STEEL/ COPPER
(U)	STEEL/ BLACK
(A)	STEEL/ CHROMATE

POS. NO	VERS. COLOR	PART NO. (FOR PCS)	DESCRIPTION	PART NO. (MJI)	POS. NO	VERS. COLOR	PART NO. (FOR PCS)	DESCRIPTION	PART NO. (MJI)
001B	/N/S BLK	9965 000 12728	FRONT PANEL(BLK)	343J248010	001T	/N	9965 000 12741	PACKING USER GUIDE SR8200 /N	343J851310
001B	/N/S GLD	9965 000 12745	FRONT PANEL(GLD)	343J248110	001T	/S		USER GUIDE SR8200 /S	343J851350
001B	/U BLK		FRONT PANEL STDBY(BLK)	343J248020	001T	/U		USER GUIDE SR8200 /U	343J851250
001B	/U GLD		FRONT PANEL STDBY(GLD)	343J248120	Z004		9965 000 12727	REMOTE CONTROLLER RC3200	ZK344J0010
002B		4822 459 11172	MARANTZ BADGE	185J251010	▲ Z011	/N	4822 321 11033	MAINS CORD 2P 10A 250V CLASS2	ZC01803080
007B		9965 000 12733	WINDOW	343J158010	▲ Z011	/S		MAINS CORD 250V 10A FOR UK	ZC01804100
008B	BLK	9965 000 12734	FUNCTION BUTTON(BLACK)	343J270010	▲ Z011	/U		MAINS CORD 10A 125V UL/CSA	ZC01803100
008B	GLD	9965 000 12746	FUNCTION BUTTON(GOLD)	343J270110					
009B	BLK	9965 000 12735	DOOR INSIDE BUTTON(BLK)	343J270020					
009B	GLD	9965 000 12747	DOOR INSIDE BUTTON(GLD)	343J270120					
010B		9965 000 12736	CENTER ESC.GOLD BUTTON	343J270030					
011B			DOOR BUFFER	330J056010					
012B	BLK	9965 000 12737	CENTER ESCUTCHEON(BLK)	343J063010					
012B	GLD	9965 000 12748	CENTER ESCUTCHEON(GLD)	343J063110					
013B	BLK	9965 000 12738	TUNING BUTTON(BLACK)	343J270040					
013B	GLD	9965 000 12749	TUNING BUTTON(GOLD)	343J270140					
030B	BLK	9965 000 03432	MASTER KNOB(BLACK)	312J154010					
030B	GLD	9965 000 01391	MASTER KNOB(GOLD)	312J154020					
031B	BLK	9965 000 12739	DOOR PANEL(BL)	343J162010					
031B	GLD	9965 000 12750	DOOR PANEL(GL)	343J162110					
032B	BLK	9965 000 12740	DOOR HINGE ARM(BL)	343J002010					
032B	/N GLD	9965 000 12751	DOOR HINGE ARM(BL)	343J002110					
032B	/S/U GLD		DOOR HINGE ARM(GL)	343J002110					
033B		9965 000 01393	STANDBY LENS	312J355010					
034B	/N/S	9965 000 01394	POWER BUTTON JOINT	312J125010					
035B	/N/S BLK	9965 000 01975	POWER SW BUTTON(BLACK)	255W270010					
035B	/N/S GLD	9965 000 01395	POWER SW BUTTON(GOLD)	255W270110					
035B	/U BLK		POWER SW TACT(BLACK)	320J270040					
035B	/U GLD		POWER SW TACT(GOLD)	320J270240					
045B		4822 529 10215	DOOR DAMPER	391H130030					
057B		4822 526 20213	DOOR MAGNET	271K305500					
009G		4822 462 42045	LEG(FRONT SIDE)	183J057010					
010G		4822 462 42048	LEG(REAR SIDE)	183J057110					
024G	/N/S		REAR SIDE STOPPER(IEC)	322J114010					
026G	/N/S		FRONT SIDE STOPPER(IEC)	322J114010					
911G			USB HALL COVER	343J053010					
AT01	/N	9965 000 12333	VHF TUNER MODULE TFCE1LXXXA	AV01203040					
AT01	/S		VHF TUNER MODULE TFCE1LXXXA	AV01203030					
AT01	/U		VHF TUNER MODULE TFCE1U118A	AV01202280					
▲ L001	/N/S	9965 000 12334	MAINS TRANSF AC230V	TS60513220					
▲ L001	/U		MAINS TRANSF AC120V	TS60513210					
L011			FERRITE CORE TFCK-23-11-14	FC50230010					
L031		9965 000 12662	FERRITE CORE SSC-40-12	FC90400010					
▲ M011		9965 000 01770	D.C MOTOR COOLING FAN	MM01200320					
WC01		9965 000 12335	JUMPER LEAD FFC JC01(PC04)-JU04(P604)	YU23730530					
WY01		9965 000 12336	JUMPER LEAD FFC 15P JY23-TUNERPACK	YU15200500					
					001D	BLK		NOT STANDARD SPARE PARTS TOP COVER(BLACK)	343J257010
					001D	GLD		TOP COVER(GOLD)	343J257110
					001S			PACKING CASE	343J801010
					002S			CUSHION(LEFT)	343J809010
					003S			CUSHION(RIGHT)	343J809020

NOTE : *nsp* PART IS LISTED FOR REFERENCE ONLY, MARANTZ WILL NOT SUPPLY THESE PARTS.





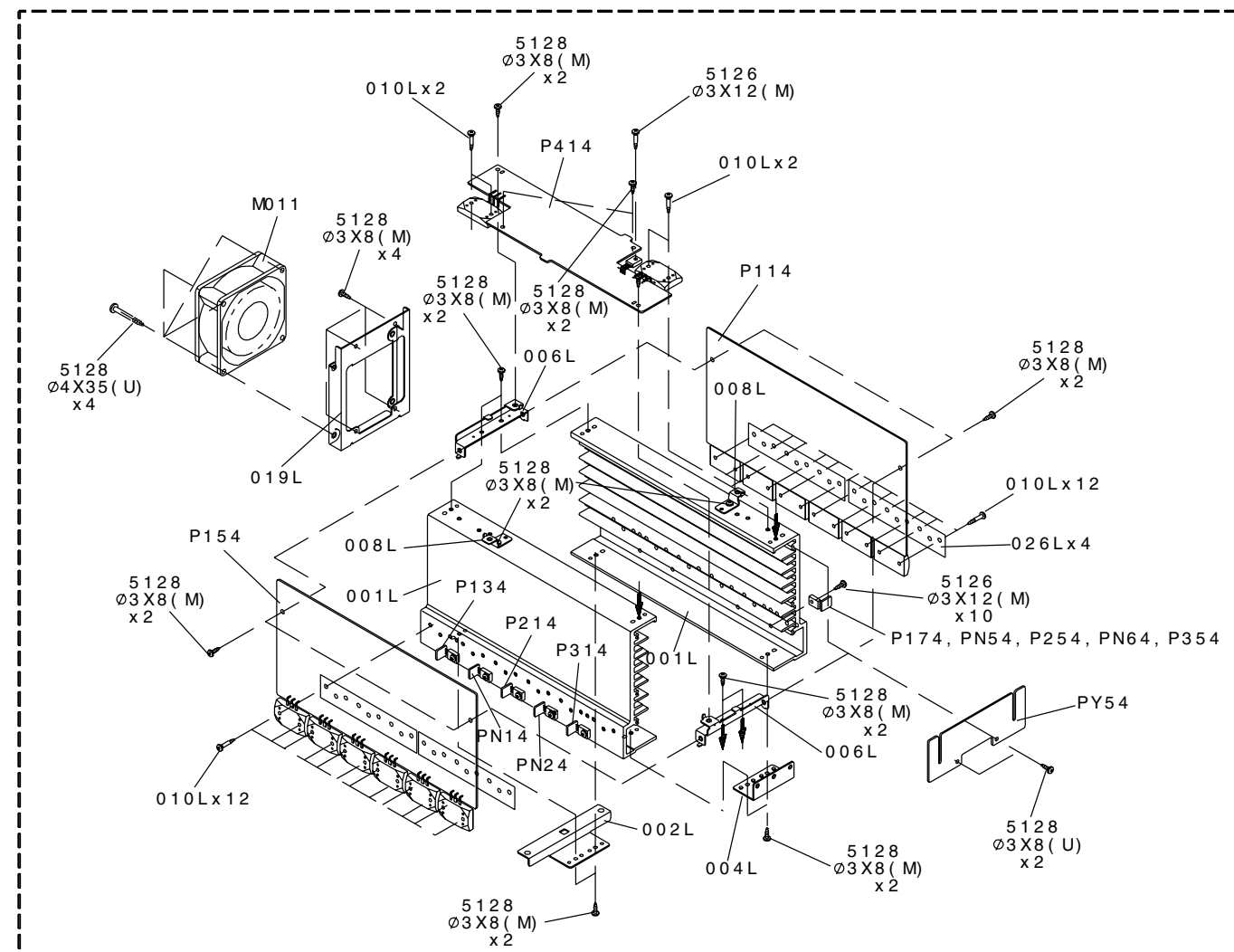
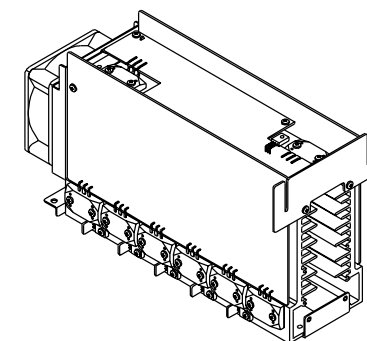
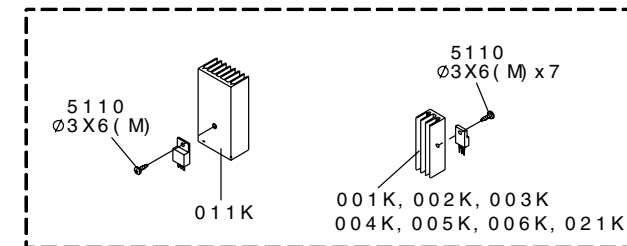
FRONT MOLD ASSY.

SYMBOL	STYLE	PARTS NAME
5110		+B. H. M. SCREW
5126		+B. H. TAP TITE SCREW W/ WASHER
5127		+B. H. TAP TITE SCREW (W)
5128		+B. H. TAP TITE SCREW (B TYPE)
5150		+F. H. TAP TITE SCREW (B TYPE)
5204		+H. H. TAPT. BOLTS WITH FLANGE (S TITE)
5405		TOOTHED LOCK WASHERS

MARK	MATERIAL/ FINISH
(M)	STEEL/ COPPER
(U)	STEEL/ BLACK
(A)	STEEL/ CHROMATE

POS. NO	VERS. COLOR	PART NO. (FOR PCS)	DESCRIPTION	PART NO. (MJI)
001B			FRONT PANEL	344J248140
002B			MARANTZ BADGE	185J251010
007B			WINDOW	343J158210
008B			FUNCTION BUTTON	343J270150
009B			DOOR INSIDE BUTTON	343J270120
010B			CENTERGOLD BUTTON	343J270030
012B			CENTER ESCUTCHEON	343J063110
013B			TUNING BUTTON	343J270140
030B			MASTER KNOB	312J154020
031B			DOOR PANEL	343J162110
032B			DOOR HINGE ARM	343J002110
033B			STANDBY LENS	312J355010
034B			POWER BUTTON JOINT	312J125010
045B			DOOR DUMPER	391H130030
057B			DOOR MAGNET	271K305500
005D			SIDE PANEL (L)	344J249110
006D			SIDE PANEL (R)	344J249120
009G			LEG (FRONT SIDE)	183J057010
010G			LEG (REAR SIDE)	183J057110
024G			REAR SIDE STOPPER (IEC)	322J114010
026G			FRONT SIDE STOPPER (IEC)	322J114010
911G			USB HALL COVER	343J053010
▲ L001			MAINS TRANSF AC100V	TS42002220
L011			FERRITE CORE TFCK-23-11-14	FC50230010
L021			FERRITE CORE TFCK-16-8-13	FC50160030
L031			FERRITE CORE SSC-40-12	FC90400010
▲ M011			D.C MOTOR COOLING FAN	MM01200320
WC01			JUMPER LEAD FFC JC01(PC04)-JU04(P604)	YU23730530
PACKING				
001T			USER GUIDE PS9200	344J851110
Z004			REMOTE CONTROLLER RC3200	ZK344J0010
▲ Z011			MAINS CORD 2P 125V 12A	ZC01801050
NOT STANDARD SPARE PARTS				
001D			TOP COVER GOLD (FOR SIDE PANEL)	343J257140
001S			PACKING CASE (PS9200)	344J801020
002S			CUSHION (LEFT)	343J809010
003S			CUSHION (RIGHT)	343J809020

NOTE : "nsp" PART IS LISTED FOR REFERENCE ONLY, MARANTZ WILL NOT SUPPLY THESE PARTS.



8. SERVICE PROGRAM

Factory Mode

With the following procedure, the Tracking Point, which is necessary for the adjustment and measurement of the tuner, can be memorized.

1. Turn on the unit, press **DVD**, **TUNER** and **MULTI ROOM** key simultaneously more than three seconds.
2. "FACTORY MODE" will be displayed on the FLD for two seconds and the following frequencies will be stored in the Preset Memory.

Band	Version	P1	P2	P3	P4
FM AUTO	/U /K/ S /N	90.0	98.0	106.0	87.5
[MHz]	/F	78.0	83.0	88.0	76.0

Band	Scan Step	P5	P6	P7	P8	P9	P10	P11	P12	Other
AM [kHz]	10 kHz (U)	600	1000	1400	520					No Preset
	9kHz(/F/N/K/S)	603	999	1404	531					
	MW / LW	603	999	1404	171	207	270	152	531	

Microprocessor (CPU), DSP Version and FLD Segment Check Mode

Turn the unit into the Factory Mode (See above) first. Each time **DISPLAY** key is pressed or RC-5 code **161500 (Display)** is entered, information shown on the FLD changes in the following order. Software versions of μ -com and DSP can be seen and FLD segments can be checked.

1. Model Name is displayed like "SR9200", "SR8200", "PS9200".
2. Software version of QU01(CPU) is displayed in the following format.

M	A	I	N	V	0	0	0	4	2	6	0	U
				└Year┘	└Month┘			└Date┘		No Ver.		

3. Software Serial Number that is written in the factory is displayed.

M	Z	X	X	X	X	X	X	X	X	X	X	X	X	X
---	---	---	---	---	---	---	---	---	---	---	---	---	---	---

4. Software Type Number is displayed

S	O	F	T	T	Y	P	E					X	X	
													(XX is displayed in Hex)	

5. Group Type Number of the code that is written in the DSP's external ROM is displayed.

C	O	D	E	-	G		T	Y	P	E			X	X
---	---	---	---	---	---	--	---	---	---	---	--	--	---	---

6. 1G and 2G of the FLD is lighted each other. (Character part of Dot Matrix stays off.)

7. Dot Matrix part of the FLD lights in the checker pattern. (Other part stays off.)

8. Code ID of the code that is written in the DSP's external ROM is displayed.

C	D		X	X			X	X	X	X	X	X	X	X
		└Code No.┘			└Device ID┘			└Code Sig ID┘		└Code Type ID┘		└Version┘		

9. Returns to the step 1 and repeats the sequence.

10. Press **DISPLAY** button to quit this mode.

Note: Step4, 5 is to check if CPU software is capable of DSP code. "Software Type No" is to show what "DSP Code Group" CPU is capable of. And vice versa.

Step 8 is to manage the 16 codes for DSP.

* When the unit is once turned into Factory Mode, the unit keeps this mode until the main power is turned off. (Turning into stand-by mode does not make it quit from Factory Mode.) When the unit quits from Factory Mode, Information in the memory is also cleared and the unit returns to the status when it is out from the factory.

Product Reset

To reset the back up memory of the unit into the default status, follow the procedure below.

1. Turn of the unit and press **SELECT** and **AUX1** keys simultaneously more than three seconds.
2. After "DEFAULT" is displayed on FLD, power is turned off once and turned of again, EEPROM is cleared to the default status, μ -com is reset and the unit returns to the normal status. (Software Serial Number will not be cleared.)

Note: When the unit is shipped from the factory, the procedure above must be done to set the unit to initial status after the tests.

9. UPDATE FIRMWARE

Software for CPU and DSP can be updated.

Have *SR9200CDR update disc.

There are two mode of download, regarding to the target of software as bellow.

Mode 1: Download DSP's software to 4M Flash-ROM.

This mode is to update the software for DSP.

The target devise is 4M -Flash ROM (Q671) on P604.

SR9200&8200 need to be set download condition, by three front keys.

Mode 2: Download CPU's software to internal Flash-ROM.

This mode is to update the software for DSP.

The target devise is internal flash ROM of CPU (QU01) on P604.

The unit needs to be set to writing condition, by pushing internal switch from back-panel.

The following items are required for updating.

RS232C Dsub-9 pin cable (female to female/Straight type)

PC (Windows 98, NT, ME, 2000) with RS-232C port.

Upgrade software to CPU.

Upgrade software to DSP.

Use RS232C Dsub-9 pin cable (female to female/Straight type) to connect PC and the unit.

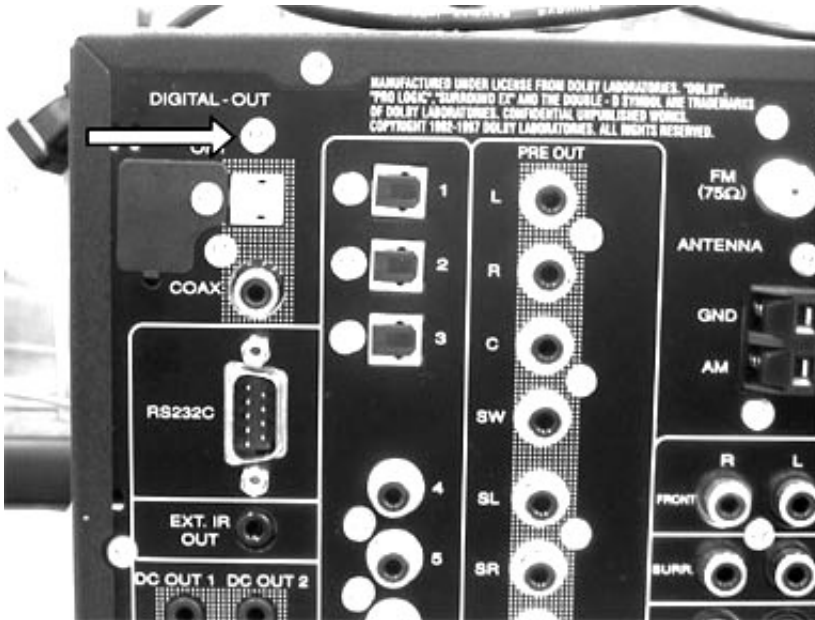
COM port on PC needs to be set by dialog box for each program. COM port can be set from COM1 to COM5.

Download Firmware for DSP (Mode 1)

1. Put the "DSP upgrade" folder into anywhere on your PC's hard disc.
2. Connect PC and the unit with the RS-232C cable.
3. Turn on the unit.
4. Press **ENTER**, **MUTE** and **MULTI-SPK** buttons simultaneously more than 5 seconds to turn the unit into Loading Mode.
5. "LOADING MODE" will be shown on FLD.
6. Launch "UpgradeDSP.exe" on PC.
7. Set the Baud Rate to 38400 then click **Start communication** button. If the connection is made successfully, a dialog box saying "Success to connect" appears and "CONNECTED" is displayed on FLD.
8. Click **Send the DSP codes** button on the dialog box. Progress status of downloading will be shown on PC and "LOADING" is displayed on FLD.
9. If downloading is completed successfully, "COMPLETED" is displayed on FLD. And a dialog box saying "Finished the DSP code transmitting" appears. Click **OK** and then click **CLOSE** to close the application.
10. Turn off the unit.

Download Firmware for CPU (Mode 2)

1. Put the “CPU upgrade” folder into anywhere on your PC's hard disc.
2. Connect PC and the unit with the RS-232C cable.
3. Remove the screw on the backside of the unit.



4. Insert a thin rot to the screw hole and push the switch (SU02) inside to turn on the switch.
5. Turn on the power of the unit. (Confirm that the stand-by LED lights in green so the unit is in the boot mode.)
6. Launch “H8Download.exe” on PC.
7. Click **other files...** button in the dialog box to specify the file (XXXX.mot) to be upload.
8. Click **Connect** button. If the connection with the H8 μ -com is successfully made, a dialogue box saying “Success to the H8 micro processor connection” appears. If the connection fails, error message will appear.
9. Click **Send** button to start update.
10. If the firmware is updated successfully, a dialog box saying “Finished the firmware program sending” appears.
11. Click **CLOSE** button to close the application.
12. Disconnect Mains power cord.
13. Turn off the internal switch that has been turned on at step 3. Put on the screw.
14. Turn on the unit.

Firmware Version Check

To check the versions of the firmware, see “Microprocessor (CPU), DSP Version and FLD Segment Check Mode” in “SERVICE PROGRAM” section.

10. POWER AMPLIFIER ADJUSTMENT

Idling Current Alignment

- Each of the cement resistors (R132, R182...R432) are provided with the three test points. Set a digital Voltage meter to DC voltage input, connect the meter to the test points at both ends among the three test points on the cement resistors.
- After the setup above, turn on the main switch and heat up the amplifier about 10 minutes.
- Adjust variable resistors (R123, R173...R423) according to the digital voltmeter readings. The target setting value is 2.15 mV \pm 0.05 mV (10.8 mA) for each channels.

Settings: Master Volume --- Minimum

Speaker out --- No Load

Step	Power	Channel	Alignment Point	Measurement Point	Alignment Value
1	Power ON after	Front L	R123	R132	-----
		Center	R173	R182	
		Front R	R223	R232	
		Surr. L	R273	R282	
		Surr. R	R373	R382	
		SB L	R323	R332	
		SB R	R423	R432	
2	After XX minutes			R***:0.1ohms x 2	See table for alignment value

Time Table of Idling Current Rise

After Turning ON	Measurement Voltage (R***)	Idling Current
10 min.	2.15 mV	10.8 mA
15 min.	2.13 mV	10.7 mA
20 min.	2.07 mV	10.4 mA
25 min.	2.03 mV	10.2 mA
30 min.	2.00 mV	10.0 mA
40 min.	2.00 mV	10.0 mA

* The Time-Current values in the chart above are from measurement with a unit whose idling current has already adjusted to 10.0mA.

AVSS Function Check

AVSS is the function that switches B voltage automatically depending on the volume of the input signal.

To check whether B voltage is switched or not, follow the procedure below.

1. Check if B voltage is switched to High.

If maximum power can be output, it is OK. If wave form is clipped and maximum power is not output, it is NG.

2. Check if B voltage is switched to Low.

After adjustment of idling current, if power consumption is within 60W ~ 10W under power on, no signal condition. If it is over 90W, it is NG. It is very possible that B voltage stays High.

Note: Once B voltage is switched to High, it is kept High for 1 minutes. So, power consumption can be over 90W with no signal condition for 1 minute if B voltage has been switched to High.

B voltage is Low upon turning on the power (initial status) if there is no signal input.

Cooling Fan Check

There is three speeds for the cooling fan, stop, Low Speed and High Speed, depending on the temperature of the heat sink.

Heat sink temperature is monitored with RN62, RN86, thermo sensors for cooling fan. If heat sink temperature becomes higher, resistance of the sensors also becomes higher. To check the cooling fan, connect test resistors to JN62, JN86 where the thermo sensors are connected. There are two ways of checking. Remove either sensor and connect the test resistor

	Fan Speed	Test Resistor Value	Temperature
1	Stop	0 – 220Ω (0Ω)	Under 60 °C
2	Low Speed	470 – 2.2 kΩ (1.0 kΩ)	60 – 80 °C
3	High Speed	4.7kΩ - (10 kΩ)	Over 80 °C

Overheat Protection Check

If monitored temperature of the heat sink goes overheat, microcomputer shuts down the unit to stand-by mode. Heat sink temperature is monitored with RN47, RN49, thermo sensors for overheat. To check the overheat protection function, connect test resistors to JN47, JN49 where the thermo sensors are connected.

	Function	Test Resistor Value	Temperature
1	Normal	0 – 220Ω (0Ω)	Under 110 °C
2	Heat Protection (Stand-by)	4.7kΩ - (10 kΩ)	Over 110 °C

If overheat is detected, 2nd pin of J501 is led to GND by a transistor. Normally, it is high impedance (open-collector).

11. SYSTEM ERROR

The CPU inside the unit monitors peripheral interfaces and if a trouble is detected the following information is displayed on the FLD.

1. Trouble in DSP1

If communication with DSP1(Q610) is troubled more than 2 seconds, FLD shows below.

E	R	R	O	R		D	S	P	1		R	O	M	
---	---	---	---	---	--	---	---	---	---	--	---	---	---	--

* This display stays and sound is muted.

2. Trouble in DSP2

If communication with DSP2(Q640) is troubled more than 2 seconds, FLD shows below.

E	R	R	O	R		D	S	P	2		R	O	M	
---	---	---	---	---	--	---	---	---	---	--	---	---	---	--

* This display stays and sound is muted.

3. Trouble in ADC

If CAL signal from A/D converter(QK51, QK52) keeps high more than 2 seconds, FLD shows below.

E	R	R	O	R		A	D	C						
---	---	---	---	---	--	---	---	---	--	--	--	--	--	--

* In analog input mode, this display stays and sound is muted.

4. Trouble in EEPROM

If data from EEPROM(QU70) does not match, FLD shows below.

E	R	R	O	R		E	2	P						
---	---	---	---	---	--	---	---	---	--	--	--	--	--	--

* After displaying it, Back-up Data is reset to default.

5. Trouble in EEPROM I/F

If communication with EEPROM(QU70) is troubled more than 2 seconds, FLD shows below.

E	R	R	O	R		E	2	P		I	F			
---	---	---	---	---	--	---	---	---	--	---	---	--	--	--

6. Trouble in 5V Supply

If 5V supply to P604(DSP/CPU PCB) is troubled, FLD shows below.

E	R	R	O	R		P	O	W	5					
---	---	---	---	---	--	---	---	---	---	--	--	--	--	--

7. Trouble in Power Amplifier (1)

If DC offset, over-current, over-heat, trouble in main transformer is detected, FLD shows below.

P	R	O	T	E	C	T								
---	---	---	---	---	---	---	--	--	--	--	--	--	--	--

* If a trouble is detected upon power on, CPU turns off the speaker relay. And if the trouble is not recovered within 2 seconds, CPU turns the unit into stand-by. If DC offset or over-current is detected on power on status, the speaker relay is turned off, and if over-heat, trouble in main transformer is detected, the unit turns into stand-by immediately.

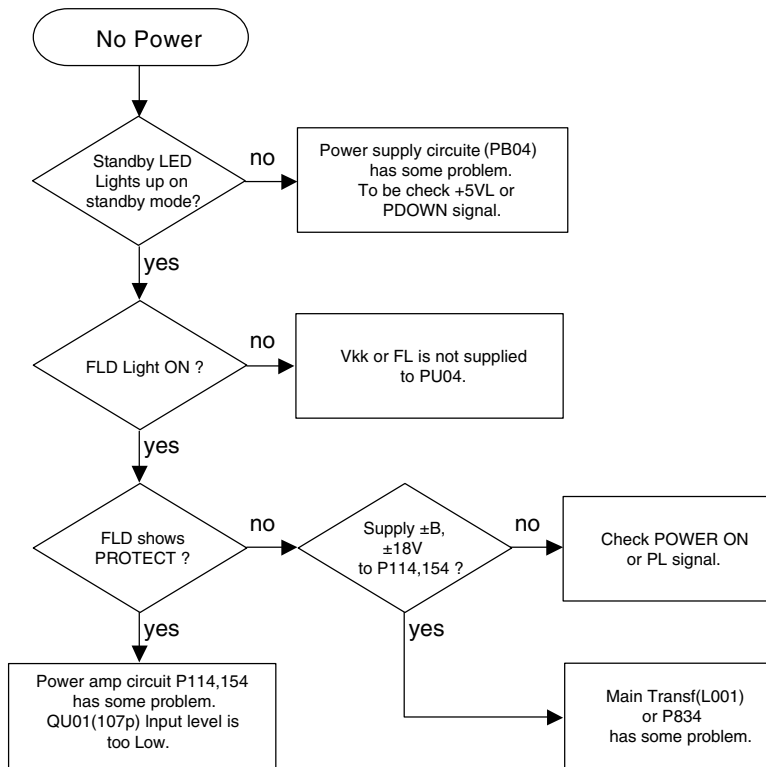
8. Trouble in Power Amplifier (2)

If a trouble in $\pm B$ power supply or $\pm 18V$ power supply is detected, the unit behaves like the followings.

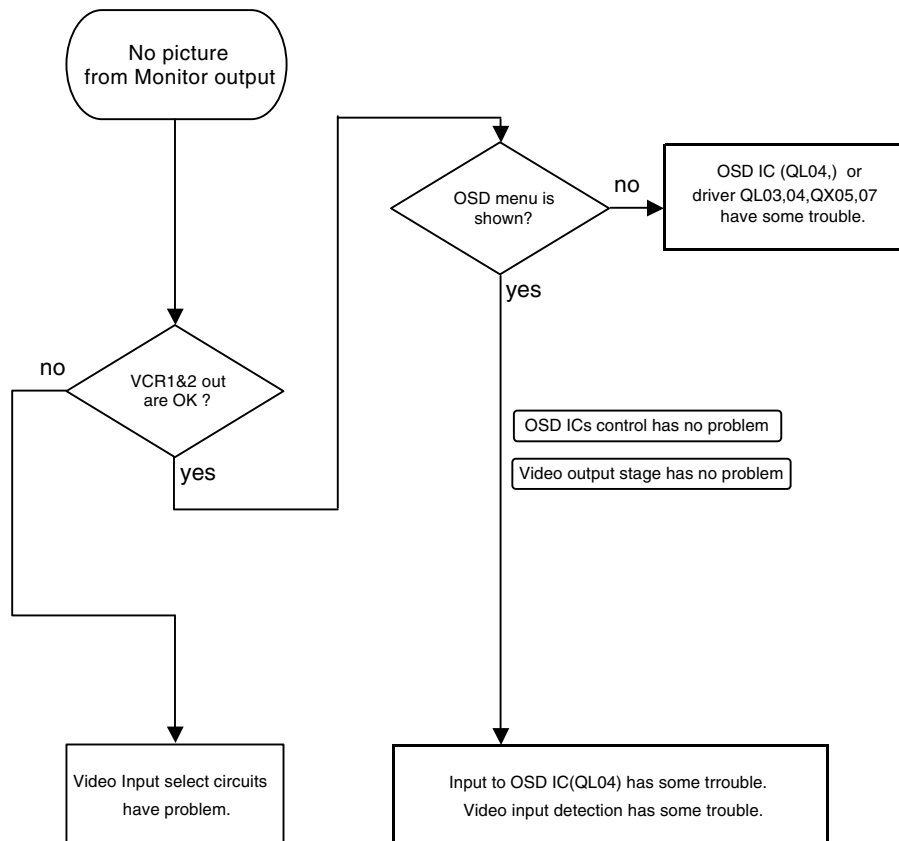
- 1) If a trouble is detected upon power on and the trouble is not recovered within 2 seconds, the unit turns into stand-by.
- 2) If a trouble is detected in power on status, the unit turns into stand-by immediately.

12. TROUBLE SHOOTING

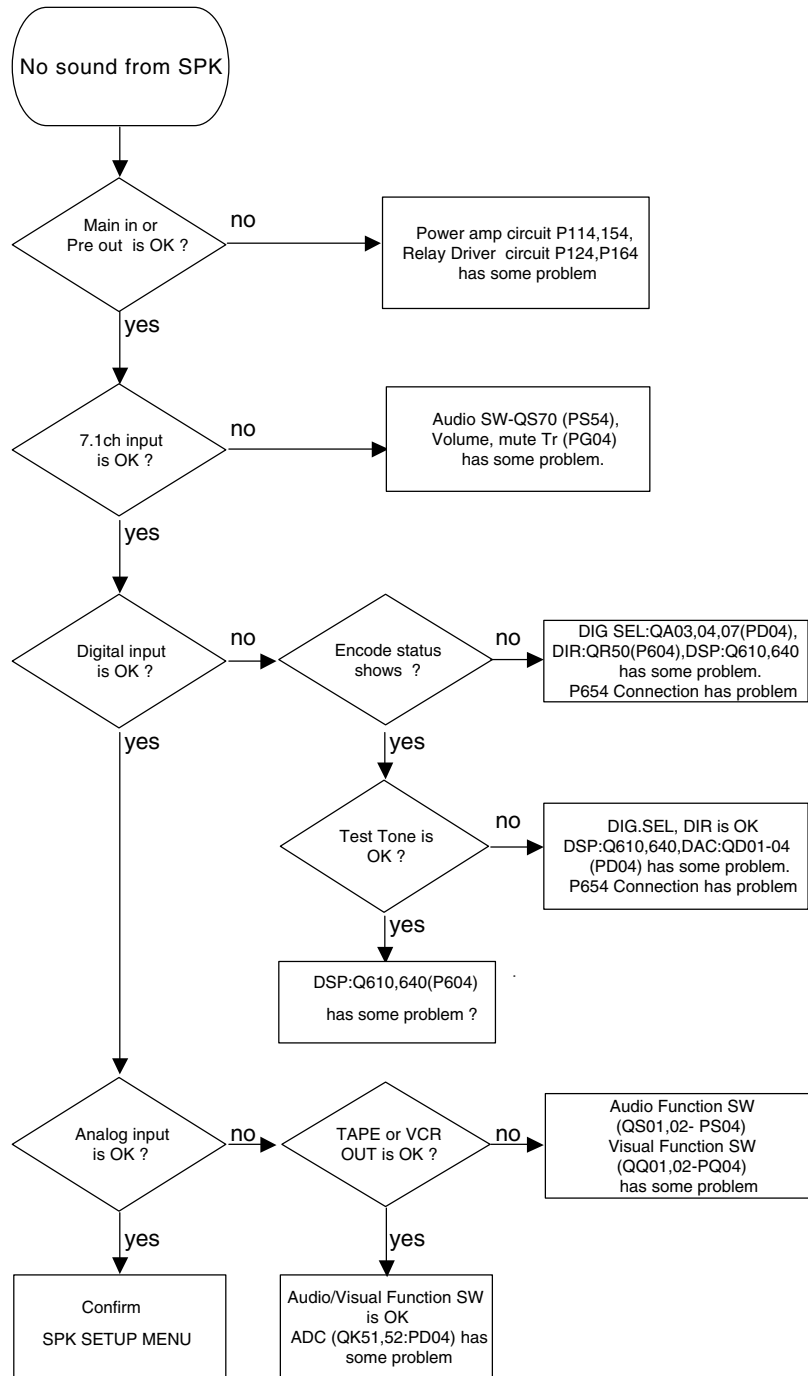
No Power



No Picture



NoSound



13. ELECTRICAL PARTS LIST

ASSIGNMENT OF COMMON PARTS CODES.

RESISTORS

R***: 1) GD05xxx140, Carbon film fixed resistor, ±5% 1/4W
 R***: 2) GD05xxx160, Carbon film fixed resistor, ±5% 1/6W

① — Resistance value

Examples ;

① Resistance value
 0.1 Ω 001 10 Ω 100 1 kΩ 102 100 kΩ 104
 0.5 Ω 005 18 Ω 180 2.7 kΩ 272 680 kΩ 684
 1 Ω 010 100 Ω 101 10 kΩ 103 1 MΩ 105
 6.8 Ω 068 390 Ω 391 22 kΩ 223 4.7 MΩ 475

Note : Please distinguish 1/4W from 1/6W by the shape of parts used actually.

CAPACITORS

C***: CERAMIC CAP.

3) DD1xxx370, Ceramic capacitor
 Disc type
 Temp.coeff.P350 ~N1000, 50V
 ② Capacity value
 ③ Tolerance

Examples ;

② Tolerance (Capacity deviation)
 ±0.25 pF 0
 ±0.5 pF 1
 ±5% 5

* Tolerance of COMMON PARTS handled here are as follows :

0.5 pF ~ 5 pF ±0.25 pF
 6 pF ~ 10 pF ±0.5 pF
 12 pF ~ 560 pF ±5%

③ Capacity value

0.5 pF 005 3 pF 030 100 pF 101
 1 pF 010 10 pF 100 220 pF 221
 1.5 pF 015 47 pF 470 560 pF 561

C*** : CERAMIC CAP.

4) DK16xxx300, High dielectric constant ceramic capacitor
 Disc type
 Temp.chara. 2B4, 50V
 ④ Capacity value

Examples ;

④ Capacity value
 100 pF 101 1000 pF 102 10000 pF 103
 470 pF 471 2200 pF 222

C***: 5) ELECTROLYTIC CAP. (Z), 6) FILM CAP. (Z)

5) EAxxx10, Electrolytic capacitor
 One-way lead type, Tolerance ±20%
 ⑤ Working voltage
 ⑥ Capacity value

Examples ;

⑤ Capacity value
 0.1 μF 104 4.7 μF 475 100 μF 107
 0.33 μF 334 10 μF 106 330 μF 337
 1 μF 105 22 μF 226 1100 μF 118
 2200 μF 228

⑥ Working voltage

6.3V 006 25V 025
 10V 010 35V 035
 16V 016 50V 050

6) DF15xxx350 → Plastic film capacitor
 DF15xxx310 → One-way type, Mylar ±5% 50V
 DF16xxx310 → Plastic film capacitor
 One-way type, Mylar ±10% 50V
 ⑦ Capacity value

Examples ;

⑦ Capacity value
 0.001 μF (1000 pF) 102 0.1 μF 104
 0.0018 μF 182 0.56 μF 564
 0.01 μF 103 1 μF 105
 0.015 μF 153

NOTE : 1) The above CODES (R***, R***, C***, C*** and C***) are omitted on the schematic diagram in some case.

2) On the occasion, be confirmed the common parts on the parts list.

3) Refer to "Common Parts List" for the other common parts (RI05, DD4, DK4).

NOTE ON SAFETY FOR FUSIBLE RESISTOR :

The suppliers and their type numbers of fusible resistors are as follows;

1. KOA Corporation

Part No. (MJI)	Type No. (KOA)	Description
NH05xxx140	RF25SxxxΩJ	(±5% 1/4W)
NH05xxx120	RF50SxxxΩJ	(±5% 1/2W)
NH85xxx110	RF73B2AxxxΩJ	(±5% 1/10W)
NH95xxx140	RF73B2ExxxΩJ	(±5% 1/4W)

* Resistance value * Resistance value
 (0.1 Ω – 10 kΩ)

2. Matsushita Electronic Components Co., Ltd

Part No. (MJI)	Type No. (MEC)	Description
NF05xxx140	ERD-2FCJxxx	(±5% 1/4W)
RF05xxx140		
NF02xxx140	ERD-2FCGxxx	(±2% 1/4W)
RF02xxx140		

* Resistance value * Resistance value

Examples ;

* Resistance value
 0.1 Ω 001 10 Ω 100 1 kΩ 102 100 kΩ 104
 0.5 Ω 005 18 Ω 180 2.7 kΩ 272 680 kΩ 684
 1 Ω 010 100 Ω 101 10 kΩ 103 1 MΩ 105
 6.8 Ω 068 390 Ω 391 22 kΩ 223 4.7 MΩ 475



ABBREVIATION AND MARKS

ANT. : ANTENNA	BATT. : BATTERY
CAP. : CAPACITOR	CER. : CERAMIC
CONN. : CONNECTING	DIG. : DIGITAL
HP : HEADPHONE	MIC. : MICROPHONE
μ-PRO : MICROPROCESSOR	REC. : RECORDING
RES. : RESISTOR	SPK : SPEAKER
SW : SWITCH	TRANSF. : TRANSFORMER
TRIM. : TRIMMING	TRS. : TRANSISTOR
VAR. : VARIABLE	X'TAL : CRYSTAL


NOTE ON FUSE :

Regarding to all parts of parts code FS20xxx2xx, replace only with Wickmann-Werke GmbH, Type 372 non glass type fuse.

NOTE ON SAFETY :

Symbol  Fire or electrical shock hazard. Only original parts should be used to replaced any part marked with symbol . Any other component substitution (other than original type), may increase risk of fire or electrical shock hazard.

安全上の注意 :

 がついている部品は、安全上重要な部品です。必ず指定されている部品番号の部品を使用して下さい。

SR9200

POS. NO	VERS. COLOR	PART NO. (FOR PCS)	DESCRIPTION	PART NO. (MJI)	POS. NO	VERS. COLOR	PART NO. (FOR PCS)	DESCRIPTION	PART NO. (MJI)
			P114- POWER AMP FL FR SBL CIRCUIT BOARD		R113		4822 052 10471	470Ω ±5% 1/6W	GG05471160
			P114- CAPACITORS		R114		4822 052 10471	470Ω ±5% 1/6W	GG05471160
C101		9965 000 02015	ELECT.22μF ±20% 25V ARS	OA22602540	R117		4822 052 10151	150Ω ±5% 1/6W	GG05151160
C102		4822 126 14166	FILM,APSV 331J, 330pF(TP) 100V PP	OF15331540	R118		4822 052 10151	150Ω ±5% 1/6W	GG05151160
C103		4822 124 90355	ELECT.100μF ±20% 50V RA-2	OA10705020	R123		4822 100 11452	TRIM.VARI.470 VERTICAL	RA04710760
C104		9965 000 04966	FILM,APSV 122J, 1200pF(TP) 100V PP	OF15122540	R124		4822 052 10101	100Ω ±5% 1/6W	GG05101160
C105		4822 124 22571	ELECT.10μF ±20% 50V RA-2	OA10605020	R125		4822 052 10101	100Ω ±5% 1/6W	GG05101160
C106		9965 000 02644	ELECT.220μF ±20% 100V RA-2	OA22710020	R126		4822 050 21022	1kΩ ±5% 1/4W	GG05102140
C107		9965 000 02644	ELECT.220μF ±20% 100V RA-2	OA22710020	R127		4822 052 10479	47Ω ±5% 1/4W	GG05470140
C111		9965 000 01561	MICA,10pF D 250WV AUDIO	DF31100520	R128		4822 052 10479	47Ω ±5% 1/4W	GG05470140
C112		4822 123 30086	MICA,47pF ±5% 500V FE922H470JS	DF35470520	R129		4822 052 10109	10Ω ±5% 1/4W	GG05100140
C113		4822 123 30086	MICA,47pF ±5% 500V FE922H470JS	DF35470520	R130		4822 052 10109	10Ω ±5% 1/4W	GG05100140
C148		4822 124 41535	ELECT.100μF ±20% 25V RA-2	OA10702520	R131		4822 116 83929	220Ω ±5% 1/4W	GG05221140
C149		4822 124 41535	ELECT.100μF ±20% 25V RA-2	OA10702520	▲ R132		9965 000 01764	FIXED,0.10Ω ±10% 5W X2 RGC55 W/TP	BZ10102020
C201		9965 000 02015	ELECT.22μF ±20% 25V ARS	OA22602540	R142		4822 052 10109	10Ω ±5% 1/4W	GG05100140
C202		4822 126 14166	FILM,APSV 331J, 330pF(TP) 100V PP	OF15331540	R143		4822 052 10109	10Ω ±5% 1/4W	GG05100140
C203		4822 124 90355	ELECT.100μF ±20% 50V RA-2	OA10705020	R149		4822 052 10109	10Ω ±5% 1/4W	GG05100140
C204		9965 000 04966	FILM,APSV 122J, 1200pF(TP) 100V PP	OF15122540	R206				
C205		4822 124 22571	ELECT.10μF ±20% 50V RA-2	OA10605020	∫		4822 052 10331	330Ω ±5% 1/4W	GG05331140
C206		9965 000 02644	ELECT.220μF ±20% 100V RA-2	OA22710020	R209				
C207		9965 000 02644	ELECT.220μF ±20% 100V RA-2	OA22710020	R213		4822 052 10471	470Ω ±5% 1/6W	GG05471160
C211		9965 000 01561	MICA,10pF D 250WV AUDIO	DF31100520	R214		4822 052 10471	470Ω ±5% 1/6W	GG05471160
C212		4822 123 30086	MICA,47pF ±5% 500V FE922H470JS	DF35470520	R217		4822 052 10151	150Ω ±5% 1/6W	GG05151160
C301		9965 000 02015	ELECT.22μF ±20% 25V ARS	OA22602540	R218		4822 052 10151	150Ω ±5% 1/6W	GG05151160
C302		4822 126 14166	FILM,APSV 331J, 330pF(TP) 100V PP	OF15331540	R223		4822 100 11452	TRIM.VARI.470 VERTICAL	RA04710760
C303		4822 124 90355	ELECT.100μF ±20% 50V RA-2	OA10705020	R224		4822 052 10101	100Ω ±5% 1/6W	GG05101160
C304		9965 000 04966	FILM,APSV 122J, 1200pF(TP) 100V PP	OF15122540	R225		4822 052 10101	100Ω ±5% 1/6W	GG05101160
C305		4822 124 22571	ELECT.10μF ±20% 50V RA-2	OA10605020	R226		4822 050 21022	1kΩ ±5% 1/4W	GG05102140
C306		9965 000 02644	ELECT.220μF ±20% 100V RA-2	OA22710020	R227		4822 052 10479	47Ω ±5% 1/4W	GG05470140
C307		9965 000 02644	ELECT.220μF ±20% 100V RA-2	OA22710020	R228		4822 052 10479	47Ω ±5% 1/4W	GG05470140
C311		9965 000 01561	MICA,10pF D 250WV AUDIO	DF31100520	R229		4822 052 10109	10Ω ±5% 1/4W	GG05100140
C312		4822 123 30086	MICA,47pF ±5% 500V FE922H470JS	DF35470520	R230		4822 052 10109	10Ω ±5% 1/4W	GG05100140
C313		4822 123 30086	MICA,47pF ±5% 500V FE922H470JS	DF35470520	R231		4822 116 83929	220Ω ±5% 1/4W	GG05221140
C348		4822 124 41535	ELECT.100μF ±20% 25V RA-2	OA10702520	▲ R232		9965 000 01764	FIXED,0.10Ω ±10% 5W X2 RGC55 W/TP	BZ10102020
C349		4822 124 41535	ELECT.100μF ±20% 25V RA-2	OA10702520	R242		4822 052 10109	10Ω ±5% 1/4W	GG05100140
C401		9965 000 02015	ELECT.22μF ±20% 25V ARS	OA22602540	R243		4822 052 10109	10Ω ±5% 1/4W	GG05100140
C402		4822 126 14166	FILM,APSV 331J, 330pF(TP) 100V PP	OF15331540	R306				
C403		4822 124 90355	ELECT.100μF ±20% 50V RA-2	OA10705020	∫		4822 052 10331	330Ω ±5% 1/4W	GG05331140
C404		9965 000 04966	FILM,APSV 122J 1 200pF(TP) 100V PP	OF15122540	R309				
C406		9965 000 02644	ELECT.220μF ±20% 100V RA-2	OA22710020	R313		4822 052 10471	470Ω ±5% 1/6W	GG05471160
C407		9965 000 02644	ELECT.220μF ±20% 100V RA-2	OA22710020	R314		4822 052 10471	470Ω ±5% 1/6W	GG05471160
C411		9965 000 01561	MICA,10pF D 250WV AUDIO	DF31100520	R317		4822 052 10151	150Ω ±5% 1/6W	GG05151160
			P114-CAPACITORS(COMMON)		R318		4822 052 10151	150Ω ±5% 1/6W	GG05151160
			PLASTIC FILM CAPACITOR ±5% 50V : C108 C208 C308		R323		4822 100 11452	TRIM.VARI.470 VERTICAL	RA04710760
			P114- RESISTORS		R324		4822 052 10101	100Ω ±5% 1/6W	GG05101160
R106					R325		4822 052 10101	100Ω ±5% 1/6W	GG05101160
∫		4822 052 10331	330Ω ±5% 1/4W	GG05331140	R326		4822 050 21022	1kΩ ±5% 1/4W	GG05102140
R109					R327		4822 052 10479	47Ω ±5% 1/4W	GG05470140
					R328		4822 052 10479	47Ω ±5% 1/4W	GG05470140
					R329		4822 052 10109	10Ω ±5% 1/4W	GG05100140
					R330		4822 052 10109	10Ω ±5% 1/4W	GG05100140
					R331		4822 116 83929	220Ω ±5% 1/4W	GG05221140
					▲ R332		9965 000 01764	FIXED,0.10Ω ±10% 5W X2 RGC55 W/TP	BZ10102020
					R342		4822 052 10109	10Ω ±5% 1/4W	GG05100140
					R343		4822 052 10109	10Ω ±5% 1/4W	GG05100140
					R406				
					∫		4822 052 10331	330Ω ±5% 1/4W	GG05331140
					R409				
					R413		4822 052 10471	470Ω ±5% 1/6W	GG05471160
					R414		4822 052 10471	470Ω ±5% 1/6W	GG05471160
					R417		4822 052 10151	150Ω ±5% 1/6W	GG05151160

NOTE : "hsp" PART IS LISTED FOR REFERENCE ONLY, MARANTZ WILL NOT SUPPLY THESE PARTS.

SR9200

POS. NO	VERS. COLOR	PART NO. (FOR PCS)	DESCRIPTION	PART NO. (MJI)	POS. NO	VERS. COLOR	PART NO. (FOR PCS)	DESCRIPTION	PART NO. (MJI)
R418		4822 052 10151	150Ω ±5% 1/6W	GG05151160	Q108		4822 130 43233	TRS.2SC2240 GR OR BL	HT322402A0
R442		4822 052 10109	10Ω ±5% 1/4W	GG05100140	Q109		4822 130 42999	TRS.2SA1145 O OR Y TAPING	HT111452A0
R443		4822 052 10109	10Ω ±5% 1/4W	GG05100140	Q110		4822 130 43283	TRS.2SC2705 O OR Y TAPING	HT327052A0
					Q112		4822 130 63312	TRS.2SC4883 O OR Y	HT348832A0
					Q113		4822 130 63308	TRS.2SA1859 O OR Y	HT118592A0
					▲ Q114		4822 130 60354	TRS.O,Y 120V,1A, PC=1.5W(10W)	HT334212A0
					▲ Q115		4822 130 60353	TRS.O,Y 120V 1A PC=1.5W(10W)	HT113582A0
					▲ Q116		9965 000 12763	TRS.C2922 OPY 17A 200W LF203	HT329223F0
					▲ Q117		9965 000 12764	TRS.A1216 OPY 17A 200W LF203	HT112163F0
					Q118		4822 130 43233	TRS.2SC2240 GR OR BL	HT322402A0
					Q203		4822 130 60107	TRS.2SA1048 Y OR GR	HT110482B0
					Q204		4822 130 60839	TRS.2SC2458 Y OR GR	HT324582B0
					Q205		4822 130 43233	TRS.2SC2240 GR OR BL	HT322402A0
					Q206		4822 130 42949	TRS.2SA970 (GR) OR (BL)	HT109702A0
					Q207		4822 130 42949	TRS.2SA970 (GR) OR (BL)	HT109702A0
					Q208		4822 130 43233	TRS.2SC2240 GR OR BL	HT322402A0
					Q209		4822 130 42999	TRS.2SA970 (GR) OR (BL)	HT111452A0
					Q210		4822 130 43283	TRS.2SC2705 O OR Y TAPING	HT327052A0
					Q212		4822 130 63312	TRS.2SC4883 O OR Y	HT348832A0
					Q213		4822 130 63308	TRS.2SA1859 O OR Y	HT118592A0
					▲ Q214		4822 130 60354	TRS.O,Y 120V,1A,PC=1.5W(10W)	HT334212A0
					▲ Q215		4822 130 60353	TRS.O,Y 120V 1A PC=1.5W(10W)	HT113582A0
					▲ Q216		9965 000 12763	TRS.C2922 OPY 17A 200W LF203	HT329223F0
					▲ Q217		9965 000 12764	TRS.A1216 OPY 17A 200W LF203	HT112163F0
					Q218		4822 130 43233	TRS.2SC2240 GR OR BL	HT322402A0
					Q301		4822 209 73064	IC,NJM-2068-DD	HC10053090
					Q303		4822 130 60107	TRS.2SA1048 Y OR GR	HT110482B0
					Q304		4822 130 60839	TRS.2SC2458 Y OR GR	HT324582B0
					Q305		4822 130 43233	TRS.2SC2240 GR OR BL	HT322402A0
					Q306		4822 130 42949	TRS.2SA970 (GR) OR (BL)	HT109702A0
					Q307		4822 130 42949	TRS.2SA970 (GR) OR (BL)	HT109702A0
					Q308		4822 130 43233	TRS.2SC2240 GR OR BL	HT322402A0
					Q309		4822 130 42999	TRS.2SA1145 O OR Y TAPING	HT111452A0
					Q310		4822 130 43283	TRS.2SC2705 O OR Y TAPING	HT327052A0
					Q312		4822 130 63312	TRS.2SC4883 O OR Y	HT348832A0
					Q313		4822 130 63308	TRS.2SA1859 O OR Y	HT118592A0
					▲ Q314		4822 130 60354	TRS.O,Y 120V,1A, PC=1.5W(10W)	HT334212A0
					▲ Q315		4822 130 60353	TRS.O,Y 120V 1A PC=1.5W(10W)	HT113582A0
					▲ Q316		9965 000 12763	TRS.C2922 OPY 17A 200W LF203	HT329223F0
					▲ Q317		9965 000 12764	TRS.A1216 OPY 17A 200W LF203	HT112163F0
					Q318		4822 130 43233	TRS.2SC2240 GR OR BL	HT322402A0
					Q403		4822 130 60107	TRS.2SA1048 Y OR GR	HT110482B0
					Q404		4822 130 60839	TRS.2SC2458 Y OR GR	HT324582B0
					Q405		4822 130 43233	TRS.2SC2240 GR OR BL	HT322402A0
					Q406		4822 130 42949	TRS.2SA970 (GR) OR (BL)	HT109702A0
					Q407		4822 130 42949	TRS.2SA970 (GR) OR (BL)	HT109702A0
					Q408		4822 130 43233	TRS.2SC2240 GR OR BL	HT322402A0
					Q409		4822 130 42999	TRS.2SA1145 O OR Y TAPING	HT111452A0
					Q410		4822 130 43283	TRS.2SC2705 O OR Y TAPING	HT327052A0
					QN08		4822 130 42949	TRS.2SA970 (GR) OR (BL)	HT109702A0
					CN14		4822 124 22571	P114- MISCELLANEOUS ELECT.10μF ±20% 50V RA-2	OA10605020
D101									
		4822 130 32362	DIODE,1SS176,MA165, 1SS254 30V 0.1A	HD20002000					
D104									
D105		4822 130 80273	ZENER,8.2V EQUIVALENT	HD30821000					
D106		4822 130 80273	ZENER,8.2V EQUIVALENT	HD30821000					
D107		4822 130 80837	DIODE,HSS81TD 150V 150MA AXIAL TAPG.	HD20027010					
D108		4822 130 80837	DIODE,HSS81TD 150V 150MA AXIAL TAPG.	HD20027010					
D109		4822 130 31554	ZENER,4.3V EQUIVALENT	HD30431000					
D201									
		4822 130 32362	DIODE,1SS176,MA165, 1SS254 30V 0.1A	HD20002000					
D204									
D205		4822 130 80273	ZENER,8.2V EQUIVALENT	HD30821000					
D206		4822 130 80273	ZENER,8.2V EQUIVALENT	HD30821000					
D207		4822 130 80837	DIODE,HSS81TD 150V 150MA AXIAL TAPG.	HD20027010					
D208		4822 130 80837	DIODE,HSS81TD 150V 150MA AXIAL TAPG.	HD20027010					
D209		4822 130 31554	ZENER,4.3V EQUIVALENT	HD30431000					
D301									
		4822 130 32362	DIODE,1SS176,MA165, 1SS254 30V 0.1A	HD20002000					
D304									
D305		4822 130 80273	ZENER,8.2V EQUIVALENT	HD30821000					
D306		4822 130 80273	ZENER,8.2V EQUIVALENT	HD30821000					
D307		4822 130 80837	DIODE,HSS81TD 150V 150MA AXIAL TAPG.	HD20027010					
D308		4822 130 80837	DIODE,HSS81TD 150V 150MA AXIAL TAPG.	HD20027010					
D309		4822 130 31554	ZENER,4.3V EQUIVALENT	HD30431000					
D401		4822 130 32362	DIODE,1SS176,MA165, 1SS254 30V 0.1A	HD20002000					
D402		4822 130 32362	DIODE,1SS176,MA165, 1SS254 30V 0.1A	HD20002000					
Q101		4822 209 73064	IC,NJM-2068-DD	HC10053090					
Q103		4822 130 60107	TRS.2SA1048 Y OR GR	HT110482B0					
Q104		4822 130 60839	TRS.2SC2458 Y OR GR	HT324582B0					
Q105		4822 130 43233	TRS.2SC2240 GR OR BL	HT322402A0					
Q106		4822 130 42949	TRS.2SA970 (GR) OR (BL)	HT109702A0					
Q107		4822 130 42949	TRS.2SA970 (GR) OR (BL)	HT109702A0					

NOTE : *nsp* PART IS LISTED FOR REFERENCE ONLY, MARANTZ WILL NOT SUPPLY THESE PARTS.

SR9200

POS. NO	VERS. COLOR	PART NO. (FOR PCS)	DESCRIPTION	PART NO. (MJI)	POS. NO	VERS. COLOR	PART NO. (FOR PCS)	DESCRIPTION	PART NO. (MJI)
CN18		4822 124 41543	ELECT.1µF ±20% 50V RA-2	OA10505020				P124- MISCELLANEOUS	
CN66		4822 124 41543	ELECT.1µF ±20% 50V RA-2	OA10505020	J149		9965 000 12664	TERMINAL,SPKROUT FL FR	YT01040880
K101		4822 130 60795	KIT,A1358,C3421 O OR A1358, C3421 Y	HK135819C0	J349		9965 000 12664	TERMINAL,SPKROUT SBL SBR	YT01040880
K102		4822 130 11394	KIT,2SA1216/2SC2922 OPY LF203	HK121619F0	▲ LN01		4822 280 70354	RELAY,VB 24MBU-510 5A/240VAC	LY20240310
K103		4822 130 10965	KIT,2SA1859/C4883 O/O OR Y/Y PAIR	HK185919C0	▲ LN03		4822 280 70354	RELAY,VB 24MBU-510 5A/240VAC	LY20240310
K201		4822 130 60795	KIT,A1358,C3421 O OR A1358, C3421 Y	HK135819C0	LP91		9965 000 05895	RELAY,HP OUT RELAY	LY20240490
K202		4822 130 11394	KIT,2SA1216/2SC2922 OPY LF203	HK121619F0				P134- Q111 CIRCUIT BOARD	
K203		4822 130 10965	KIT,2SA1859/C4883 O/O OR Y/Y PAIR	HK185919C0				P134- SEMICONDUCTORS	
K301		4822 130 60795	KIT,A1358,C3421 O OR A1358, C3421 Y	HK135819C0	Q111		4822 130 60117	TRS.C3419 Y 40V 0.8A PC=1.2W (5W)	HT334191Y0
K302		4822 130 11394	KIT,2SA1216/2SC2922 OPY LF203	HK121619F0				P154- POWER AMP C SL SR, AVSS SENS CIRCUIT BOARD	
K303		4822 130 10965	KIT,2SA1859/C4883 O/O OR Y/Y PAIR	HK185919C0				P154- CAPACITORS	
CN10		4822 126 10364	CER.100pF UP050B101K-A	DA16101110	C151		9965 000 02015	ELECT.22µF ±20% 25V ARS	OA22602540
CN11		4822 126 10364	CER.100pF UP050B101K-A	DA16101110	C152		4822 126 14166	FILM,APSV 331J, 330pF(TP) 100V PP	OF15331540
CN12		4822 126 10364	CER.100pF UP050B101K-A	DA16101110	C153		4822 124 90355	ELECT.100µF ±20% 50V RA-2	OA10705020
CN95	N/S	4822 122 40617	CER.50V DC 0.1µF +80-20%	DD38104010	C154		9965 000 04966	FILM,APSV 122J 1200pF(TP) 100V PP	OF15122540
CN96	N/S	4822 122 40617	CER.50V DC 0.1µF +80-20%	DD38104010	C155		4822 124 22571	ELECT.10µF ±20% 50V RA-2	OA10605020
CN97	N/S	4822 122 40617	CER.50V DC 0.1µF +80-20%	DD38104010	C156		9965 000 02644	ELECT.220µF ±20% 100V RA-2	OA22710020
			P124- SPKOUTS FRONT SURRBACK HEAD CIRCUIT BOARD		C157		9965 000 02644	ELECT.220µF ±20% 100V RA-2	OA22710020
			P124- CAPACITORS		C161		9965 000 01561	MICA,10pF D 250WV AUDIO	DF31100520
					C162		4822 123 30086	MICA,47pF ±5% 500V FE922H470JS	DF35470520
			P124-CAPACITORS(COMMON)		C163		4822 123 30086	MICA,47pF ±5% 500V FE922H470JS	DF35470520
			PLASTIC FILM CAPACITOR ±5% 50V : C109 C110 C209 C210 C309 C310 C409 C410		C198		4822 124 41535	ELECT.100µF ±20% 25V RA-2	OA10702520
					C199		4822 124 41535	ELECT.100µF ±20% 25V RA-2	OA10702520
					C213		4822 123 30086	MICA,47pF ±5% 500V FE922H470JS	DF35470520
			HIGH DIELECTRIC CONSTANT CER.CAPACITOR ±10% 50V : C119[N/S] C219[N/S] C319[N/S] C419[N/S]		C251		9965 000 02015	ELECT.22µF ±20% 25V ARS	OA22602540
					C252		4822 126 14166	FILM,APSV 331J, 330pF(TP) 100V PP	OF15331540
			P124- RESISTORS		C253		4822 124 90355	ELECT.100µF ±20% 50V RA-2	OA10705020
					C254		9965 000 04966	FILM,APSV 122J 1200pF(TP) 100V PP	OF15122540
R138		4822 053 10109	10Ω ±5% 1W	GA05100010	C255		4822 124 22571	ELECT.10µF ±20% 50V RA-2	OA10605020
R238		4822 053 10109	10Ω ±5% 1W	GA05100010	C256		9965 000 02644	ELECT.220µF ±20% 100V RA-2	OA22710020
R338		4822 053 10109	10Ω ±5% 1W	GA05100010	C257		9965 000 02644	ELECT.220µF ±20% 100V RA-2	OA22710020
R438		4822 053 10109	10Ω ±5% 1W	GA05100010	C261		9965 000 01561	MICA,10pF D 250WV AUDIO	DF31100520
RN35		4822 052 10331	330Ω ±5% 1/4W	GG05331140	C262		4822 123 30086	MICA,47pF ±5% 500V FE922H470JS	DF35470520
RN37		4822 052 10331	330Ω ±5% 1/4W	GG05331140					
RP91		4822 053 10331	330Ω ±5% 1W	GA05331010	C263		4822 123 30086	MICA,47pF ±5% 500V FE922H470JS	DF35470520
RP92		4822 053 10331	330Ω ±5% 1W	GA05331010					
RP93		4822 052 10331	330Ω ±5% 1/4W	GG05331140	C351		9965 000 02015	ELECT.22µF ±20% 25V ARS	OA22602540
			P124- RESISTORS(COMMON)		C352		4822 126 14166	FILM,APSV 331J, 330pF(TP) 100V PP	OF15331540
			CARBON FILM FIXED RES. ±5% 1/6W : RN27-RN32		C353		4822 124 90355	ELECT.100µF ±20% 50V RA-2	OA10705020
					C354		9965 000 04966	FILM,APSV 122J 1200pF(TP) 100V PP	OF15122540
			P124- SEMICONDUCTORS		C355		4822 124 22571	ELECT.10µF ±20% 50V RA-2	OA10605020
DN05		4822 130 82421	DIODE,1D3 1A/200V	HD20002710	C356		9965 000 02644	ELECT.220µF ±20% 100V RA-2	OA22710020
DN07		4822 130 82421	DIODE,1D3 1A/200V	HD20002710	C357		9965 000 02644	ELECT.220µF ±20% 100V RA-2	OA22710020
DP91		4822 130 82421	DIODE,1D3 1A/200V	HD20002710	C361		9965 000 01561	MICA,10pF D 250WV AUDIO	DF31100520
QN04		4822 130 60839	TRS.2SC2458 Y OR GR	HT324582B0	C362		4822 123 30086	MICA,47pF ±5% 500V FE922H470JS	DF35470520
QN05		4822 130 60839	TRS.2SC2458 Y OR GR	HT324582B0					
QN06		4822 130 60839	TRS.2SC2458 Y OR GR	HT324582B0	C363		4822 123 30086	MICA,47pF ±5% 500V FE922H470JS	DF35470520
					C389		4822 124 41535	ELECT.100µF ±20% 25V RA-2	OA10702520

NOTE : *hsp* PART IS LISTED FOR REFERENCE ONLY, MARANTZ WILL NOT SUPPLY THESE PARTS.

SR9200

POS. NO	VERS. COLOR	PART NO. (FOR PCS)	DESCRIPTION	PART NO. (MJI)	POS. NO	VERS. COLOR	PART NO. (FOR PCS)	DESCRIPTION	PART NO. (MJI)
C399		4822 124 41535	ELECT.100µF ±20% 25V RA-2	OA10702520	▲ R282		9965 000 01764	FIXED,0.10Ω ±10% 5W X2 RGC55 W/TP	BZ10102020
C501					R292		4822 052 10109	10Ω ±5% 1/4W	GG05100140
}		4822 126 10364	CER.100pF UP050B101K-A	DA16101110	R293		4822 052 10109	10Ω ±5% 1/4W	GG05100140
C507					R356				
C508		4822 124 41543	ELECT.1µF ±20% 50V RA-2	OA10505020	}		4822 052 10331	330Ω ±5% 1/4W	GG05331140
C509		4822 124 41535	ELECT.100µF ±20% 25V RA-2	OA10702520	R359				
C510		4822 124 41535	ELECT.100µF ±20% 25V RA-2	OA10702520	R363		4822 052 10471	470Ω ±5% 1/6W	GG05471160
CN01		4822 124 90355	ELECT.100µF ±20% 50V RA-2	OA10705020	R364		4822 052 10471	470Ω ±5% 1/6W	GG05471160
CN02		4822 122 30043	CER.0.01µF Z 50V	DK18103310	R367		4822 052 10151	150Ω ±5% 1/6W	GG05151160
CN03		4822 124 22273	ELECT.0.47µF ±20% 50V RA-2	OA47405020	R368		4822 052 10151	150Ω ±5% 1/6W	GG05151160
CN04		4822 124 22273	ELECT.0.47µF ±20% 50V RA-2	OA47405020	R373		4822 100 11452	TRIM.VARI.470 VERTICAL	RA04710760
CN05		4822 124 41543	ELECT.1µF ±20% 50V RA-2	OA10505020	R374		4822 052 10101	100Ω ±5% 1/6W	GG05101160
CN06		4822 122 30043	CER.0.01µF Z 50V	DK18103310	R375		4822 052 10101	100Ω ±5% 1/6W	GG05101160
CN15		4822 124 22571	ELECT.10µF ±20% 50V RA-2	OA10605020	R376		4822 050 21022	1kΩ ±5% 1/4W	GG05102140
CN17		4822 122 30043	CER.0.01µF Z 50V	DK18103310	R377		4822 052 10479	47Ω ±5% 1/4W	GG05470140
CN61		4822 124 41535	ELECT.100µF ±20% 25V RA-2	OA10702520	R378		4822 052 10479	47Ω ±5% 1/4W	GG05470140
CN62		4822 122 30043	CER.0.01µF Z 50V	DK18103310	R379		4822 052 10109	10Ω ±5% 1/4W	GG05100140
CN63		4822 124 41543	ELECT.1µF ±20% 50V RA-2	OA10505020	R380		4822 052 10109	10Ω ±5% 1/4W	GG05100140
CN64		4822 124 41543	ELECT.1µF ±20% 50V RA-2	OA10505020	R381		4822 116 83929	220Ω ±5% 1/4W	GG05221140
CN65		4822 124 41543	ELECT.1µF ±20% 50V RA-2	OA10505020	▲ R382		9965 000 01764	FIXED,0.10Ω ±10% 5W X2 RGC55 W/TP	BZ10102020
			P154-CAPACITORS(COMMON)		R392		4822 052 10109	10Ω ±5% 1/4W	GG05100140
			PLASTIC FILM CAPACITOR		R393		4822 052 10109	10Ω ±5% 1/4W	GG05100140
			±5% 50V : C158 C258 C358		RN83		4822 050 24708	4.7Ω ±5% 1/2W	GG05047120
			P154- RESISTORS						
R156					R***				
}		4822 052 10331	330Ω ±5% 1/4W	GG05331140				P154- RESISTORS(COMMON)	
R159								CARBON FILM FIXED RES.	
R163		4822 052 10471	470Ω ±5% 1/6W	GG05471160				±5% 1/6W : R151 R152 R154	
R164		4822 052 10471	470Ω ±5% 1/6W	GG05471160				R155 R160-R162 R165 R166	
R167		4822 052 10151	150Ω ±5% 1/6W	GG05151160				R169-R172 R183-R187 R189	
R168		4822 052 10151	150Ω ±5% 1/6W	GG05151160				R251 R252 R254 R255 R260	
R173		4822 100 11452	TRIM.VARI.470 VERTICAL	RA04710760				R261 R262 R265 R266 R269	
R174		4822 052 10101	100Ω ±5% 1/6W	GG05101160				R270 R271 R272 R283-R287	
R175		4822 052 10101	100Ω ±5% 1/6W	GG05101160				R289 R351 R352 R354 R355	
R176		4822 050 21022	1kΩ ±5% 1/4W	GG05102140				R360 R361 R362 R365 R366	
R177		4822 052 10479	47Ω ±5% 1/4W	GG05470140				R369-R372 R383-R387 R389	
R178		4822 052 10479	47Ω ±5% 1/4W	GG05470140				R501-R509 R517 R530-R535	
R179		4822 052 10109	10Ω ±5% 1/4W	GG05100140				R540 R541 R545 R549	
R180		4822 052 10109	10Ω ±5% 1/4W	GG05100140				RN01-RN16 RN18-RN23 RN42	
R181		4822 116 83929	220Ω ±5% 1/4W	GG05221140				RN43 RN61 RN63-RN71 RN76	
▲ R182		9965 000 01764	FIXED,0.10Ω ±10% 5W X2 RGC55 W/TP	BZ10102020				RN77 RN80 RN84 RN85	
R192		4822 052 10109	10Ω ±5% 1/4W	GG05100140	D151			P154- SEMICONDUCTORS	
R193		4822 052 10109	10Ω ±5% 1/4W	GG05100140	}		4822 130 32362	DIODE,1SS176,MA165,1SS254 30V 0.1A	HD20002000
R199		4822 052 10109	10Ω ±5% 1/4W	GG05100140	D154				
R256					D155		4822 130 80273	ZENER,8.2V EQUIVALENT	HD30821000
}		4822 052 10331	330Ω ±5% 1/4W	GG05331140	D156		4822 130 80273	ZENER,8.2V EQUIVALENT	HD30821000
R259					D157		4822 130 80837	DIODE,HSS81TD 150V 150MA AXIAL TAPG.	HD20027010
R263		4822 052 10471	470Ω ±5% 1/6W	GG05471160					
R264		4822 052 10471	470Ω ±5% 1/6W	GG05471160	D158		4822 130 80837	DIODE,HSS81TD 150V 150MA AXIAL TAPG.	HD20027010
R267		4822 052 10151	150Ω ±5% 1/6W	GG05151160					
R268		4822 052 10151	150Ω ±5% 1/6W	GG05151160	D159		4822 130 31554	ZENER,4.3V EQUIVALENT	HD30431000
R273		4822 100 11452	TRIM.VARI.470 VERTICAL	RA04710760	}		4822 130 32362	DIODE,1SS176,MA165,1SS254 30V 0.1A	HD20002000
R274		4822 052 10101	100Ω ±5% 1/6W	GG05101160	D254				
R275		4822 052 10101	100Ω ±5% 1/6W	GG05101160	D255		4822 130 80273	ZENER,8.2V EQUIVALENT	HD30821000
R276		4822 050 21022	1kΩ ±5% 1/4W	GG05102140	D256		4822 130 80273	ZENER,8.2V EQUIVALENT	HD30821000
R277		4822 052 10479	47Ω ±5% 1/4W	GG05470140	D257		4822 130 80837	DIODE,HSS81TD 150V 150MA AXIAL TAPG.	HD20027010
R278		4822 052 10479	47Ω ±5% 1/4W	GG05470140					
R279		4822 052 10109	10Ω ±5% 1/4W	GG05100140	D258		4822 130 80837	DIODE,HSS81TD 150V 150MA AXIAL TAPG.	HD20027010
R280		4822 052 10109	10Ω ±5% 1/4W	GG05100140					
R281		4822 116 83929	220Ω ±5% 1/4W	GG05221140	D259		4822 130 31554	ZENER,4.3V EQUIVALENT	HD30431000

NOTE : *nsp* PART IS LISTED FOR REFERENCE ONLY, MARANTZ WILL NOT SUPPLY THESE PARTS.

SR9200

POS. NO	VERS. COLOR	PART NO. (FOR PCS)	DESCRIPTION	PART NO. (MJI)
			C369/[N/S]	
			P164- RESISTORS	
R188		4822 053 10109	10Ω ±5% 1W	GA05100010
R288		4822 053 10109	10Ω ±5% 1W	GA05100010
R388		4822 053 10109	10Ω ±5% 1W	GA05100010
RN36		4822 052 10331	330Ω ±5% 1/4W	GG05331140
RN38		4822 052 10331	330Ω ±5% 1/4W	GG05331140
RN39		4822 052 10331	330Ω ±5% 1/4W	GG05331140
			P164- RESISTORS(COMMON)	
			CARBON FILM FIXED RES. ±5% 1/6W : RN33 RN34	
			P164- SEMICONDUCTORS	
DN06		4822 130 82421	DIODE,1D3 1A/200V	HD20002710
DN08		4822 130 82421	DIODE,1D3 1A/200V	HD20002710
DN09		4822 130 82421	DIODE,1D3 1A/200V	HD20002710
QN07		4822 130 60839	TRS.2SC2458 Y OR GR	HT324582B0
			P164- MISCELLANEOUS	
J199		9965 000 12663	TERMINAL,SPKROUT CENTER SL SR	YT01060030
J299		9965 000 12664	TERMINAL,SPKROUT ML MR	YT01040880
▲ LN02		4822 280 70354	RELAY,VB 24MBU-510 5A/240VAC	LY20240310
▲ LN04		4822 280 70354	RELAY,VB 24MBU-510 5A/240VAC	LY20240310
▲ LN05		4822 280 70354	RELAY,VB 24MBU-510 5A/240VAC	LY20240310
			P174- Q161	
			CIRCUIT BOARD	
			P174- SEMICONDUCTORS	
Q161		4822 130 60117	TRS.C3419 Y 40V 0.8A PC=1.2W (5W)	HT334191Y0
			P214- Q211	
			CIRCUIT BOARD	
			P214- SEMICONDUCTORS	
Q211		4822 130 60117	TRS.C3419 Y 40V 0.8A PC=1.2W (5W)	HT334191Y0
			P254- Q261	
			CIRCUIT BOARD	
			P254- SEMICONDUCTORS	
Q261		4822 130 60117	TRS.C3419 Y 40V 0.8A PC=1.2W (5W)	HT334191Y0
			P314- Q311	
			CIRCUIT BOARD	
			P314- SEMICONDUCTORS	
Q311		4822 130 60117	TRS.C3419 Y 40V 0.8A PC=1.2W (5W)	HT334191Y0
			P354- Q361	
			CIRCUIT BOARD	
			P354- SEMICONDUCTORS	
Q361		4822 130 60117	TRS.C3419 Y 40V 0.8A PC=1.2W (5W)	HT334191Y0

POS. NO	VERS. COLOR	PART NO. (FOR PCS)	DESCRIPTION	PART NO. (MJI)
			P414- SBR POWER AMP	
			CIRCUIT BOARD	
			P414- CAPACITORS	
C405		4822 124 22571	ELECT.10μF ±20% 50V RA-2	OA10605020
C412		4822 123 30086	MICA,47pF ±5% 500V FE922H470JS	DF35470520
C413		4822 123 30086	MICA,47pF ±5% 500V FE922H470JS	DF35470520
C414		4822 124 23789	ELECT,47μF/100V	EA47610010
C415		4822 124 23789	ELECT,47μF/100V	EA47610010
CN16		4822 124 22571	ELECT.10μF ±20% 50V RA-2	OA10605020
			P414-CAPACITORS(COMMON)	
			PLASTIC FILM CAPACITOR ±5% 50V : C408	
			P414- RESISTORS	
R423		4822 100 11426	TRIM.470Ω RH0638CS2R	RA04710780
R424		4822 052 10101	100Ω ±5% 1/6W	GG05101160
R425		4822 052 10101	100Ω ±5% 1/6W	GG05101160
R426		4822 050 21022	1kΩ ±5% 1/4W	GG05102140
R427		4822 052 10479	47Ω ±5% 1/4W	GG05470140
R428		4822 052 10479	47Ω ±5% 1/4W	GG05470140
R429		4822 052 10109	10Ω ±5% 1/4W	GG05100140
R430		4822 052 10109	10Ω ±5% 1/4W	GG05100140
R431		4822 116 83929	220Ω ±5% 1/4W	GG05221140
▲ R432		9965 000 01764	FIXED,0.10Ω ±10% 5W X2 RGC55 W/TP	BZ10102020
			P414- RESISTORS(COMMON)	
			CARBON FILM FIXED RES. ±5% 1/6W : R421 R422 R433 R434 R435 R436 R437 R439 R548 RN44 RN45	
			P414- SEMICONDUCTORS	
D403		4822 130 32362	DIODE,1SS176,MA165,1SS254 30V 0.1A	HD20002000
D404		4822 130 32362	DIODE,1SS176,MA165,1SS254 30V 0.1A	HD20002000
D405		4822 130 80273	ZENER,8.2V EQUIVALENT	HD30821000
D406		4822 130 80273	ZENER,8.2V EQUIVALENT	HD30821000
D407		4822 130 80837	DIODE,HSS81TD 150V 150MA AXIAL TAPG.	HD20027010
D408		4822 130 80837	DIODE,HSS81TD 150V 150MA AXIAL TAPG.	HD20027010
D409		4822 130 31554	ZENER,4.3V EQUIVALENT	HD30431000
Q411		4822 130 60117	TRS.C3419 Y 40V 0.8A PC=1.2W (5W)	HT334191Y0
Q412		4822 130 63312	TRS.2SC4883 O OR Y	HT348832A0
Q413		4822 130 63308	TRS.2SA1859 O OR Y	HT118592A0
▲ Q414		4822 130 60354	TRS.O,Y 120V,1A, PC=1.5W(10W)	HT334212A0
▲ Q415		4822 130 60353	TRS.O,Y 120V 1A PC=1.5W(10W)	HT113582A0
▲ Q416		9965 000 01762	TRS.2SC2922 O,Y	HT329222A0
▲ Q417		9965 000 01763	TRS.2SA1216 O,Y	HT112162A0
Q418		4822 130 43233	TRS.2SC2240 GR OR BL	HT322402A0
QN10		4822 130 42949	TRS.2SA970 (GR) OR (BL)	HT109702A0
			P414- MISCELLANEOUS	
K401		4822 130 10966	KIT,2SA1358 O,2SC3421 O	HK135819A0
K402		4822 130 11394	KIT,2SA1216/2SC2922(O,Y) PAIR	HK121619F0
K403		4822 130 10965	KIT,2SA1859/C4883 O/O OR Y/Y PAIR	HK185919C0

NOTE : *nsp* PART IS LISTED FOR REFERENCE ONLY, MARANTZ WILL NOT SUPPLY THESE PARTS.

SR9200

POS. NO	VERS. COLOR	PART NO. (FOR PCS)	DESCRIPTION	PART NO. (MJJ)	POS. NO	VERS. COLOR	PART NO. (FOR PCS)	DESCRIPTION	PART NO. (MJJ)
R624		4822 051 30223	CHIP,22kΩ ±5% 1/16W	NN05223610	RR74		4822 117 12139	CHIP,22Ω ±5% 1/16W	NN05220610
R626		4822 051 30103	CHIP,10kΩ ±5% 1/16W	NN05103610	RR75		4822 051 30109	CHIP,10Ω ±5% 1/16W	NN05100610
R629		4822 051 30223	CHIP,22kΩ ±5% 1/16W	NN05223610	RR76		4822 117 12139	CHIP,22Ω ±5% 1/16W	NN05220610
R630		4822 051 30333	CHIP,33kΩ ±5% 1/16W	NN05333610	RR77		4822 051 30339	CHIP,33Ω ±5% 1/16W	NN05330610
R631		4822 051 30223	CHIP,22kΩ ±5% 1/16W	NN05223610	RU01		4822 051 30123	CHIP,12kΩ ±5% 1/16W	NN05123610
R632		4822 051 30472	CHIP,4.7kΩ ±5% 1/16W	NN05472610	RU02		4822 051 30123	CHIP,12kΩ ±5% 1/16W	NN05123610
R633		4822 051 30472	CHIP,4.7kΩ ±5% 1/16W	NN05472610	RU03		4822 051 30123	CHIP,12kΩ ±5% 1/16W	NN05123610
R636		4822 051 30279	CHIP,27Ω ±5% 1/16W	NN05270610	RU04		4822 051 30222	CHIP,2.2kΩ ±5% 1/16W	NN05222610
R637		4822 051 30109	CHIP,10Ω ±5% 1/16W	NN05100610	RU05		4822 051 30222	CHIP,2.2kΩ ±5% 1/16W	NN05222610
R638		4822 051 30279	CHIP,27Ω ±5% 1/16W	NN05270610	RU06		4822 051 30101	CHIP,100Ω ±5% 1/16W	NN05101610
R640		4822 051 30279	CHIP,27Ω ±5% 1/16W	NN05270610	RU07		4822 051 30302	CHIP,3kΩ ±5% 1/16W	NN05302610
R641		4822 051 30472	CHIP,4.7kΩ ±5% 1/16W	NN05472610	RU08		4822 116 82487	CHIP,0Ω ±5% 1/16W	NN05000610
R644					RU10		4822 116 82487	CHIP,0Ω ±5% 1/16W	NN05000610
}		4822 051 30472	CHIP,4.7kΩ ±5% 1/16W	NN05472610	RU11	/N	4822 051 30472	CHIP,4.7kΩ ±5% 1/16W	NN05472610
R653					RU11	/S		CHIP,1.8kΩ ±5% 1/16W	NN05182610
R654		4822 051 30223	CHIP,22kΩ ±5% 1/16W	NN05223610	RU12	/N	4822 117 11817	CHIP,1.2kΩ ±5% 1/16W	NN05122610
R656		4822 051 30103	CHIP,10kΩ ±5% 1/16W	NN05103610	RU12	/S		CHIP,1kΩ ±5% 1/16W	NN05102610
R657		4822 051 30223	CHIP,22kΩ ±5% 1/16W	NN05223610	RU12	/U		CHIP,0Ω ±5% 1/16W	NN05000610
R658		4822 051 30333	CHIP,33kΩ ±5% 1/16W	NN05333610	RU13		4822 051 30123	CHIP,12kΩ ±5% 1/16W	NN05123610
R659		4822 051 30223	CHIP,22kΩ ±5% 1/16W	NN05223610	RU14		4822 051 30123	CHIP,12kΩ ±5% 1/16W	NN05123610
R660		4822 051 30472	CHIP,4.7kΩ ±5% 1/16W	NN05472610	RU15		4822 051 30473	CHIP,47kΩ ±5% 1/16W	NN05473610
R661		4822 051 30472	CHIP,4.7kΩ ±5% 1/16W	NN05472610	RU17		4822 051 30472	CHIP,4.7kΩ ±5% 1/16W	NN05472610
R662		4822 051 30279	CHIP,27Ω ±5% 1/16W	NN05270610	RU20		4822 051 30123	CHIP,12kΩ ±5% 1/16W	NN05123610
R663		4822 051 30279	CHIP,27Ω ±5% 1/16W	NN05270610	RU21		4822 051 30123	CHIP,12kΩ ±5% 1/16W	NN05123610
R664		4822 051 30279	CHIP,27Ω ±5% 1/16W	NN05270610	RU22		4822 051 30102	CHIP,1kΩ ±5% 1/16W	NN05102610
R665		4822 051 30479	CHIP,47Ω ±5% 1/16W	NN05470610	RU24		4822 117 13632	CHIP,100kΩ ±5% 1/16W	NN05104610
R666		4822 051 30479	CHIP,47Ω ±5% 1/16W	NN05470610	RU25				
R671					}		4822 051 30472	CHIP,4.7kΩ ±5% 1/16W	NN05472610
}		4822 051 30223	CHIP,22kΩ ±5% 1/16W	NN05223610	RU28				
R679					RU29		4822 051 30105	CHIP,1MΩ ±5% 1/16W	NN05105610
R681		4822 051 30339	CHIP,33Ω ±5% 1/16W	NN05330610	RU31		4822 051 30223	CHIP,22kΩ ±5% 1/16W	NN05223610
R682		4822 051 30279	CHIP,27Ω ±5% 1/16W	NN05270610	RU32		4822 051 30223	CHIP,22kΩ ±5% 1/16W	NN05223610
R683		4822 051 30279	CHIP,27Ω ±5% 1/16W	NN05270610	RU37		4822 051 30223	CHIP,22kΩ ±5% 1/16W	NN05223610
R684		4822 051 30109	CHIP,10Ω ±5% 1/16W	NN05100610	RU38		4822 051 30101	CHIP,100Ω ±5% 1/16W	NN05101610
R685		4822 051 30279	CHIP,27Ω ±5% 1/16W	NN05270610	RU39		4822 051 30223	CHIP,22kΩ ±5% 1/16W	NN05223610
R686		4822 051 30279	CHIP,27Ω ±5% 1/16W	NN05270610	RU41		4822 116 83207	CHIP,1.2kΩ ±5% 1/16W	NN05122610
R687		4822 051 30279	CHIP,27Ω ±5% 1/16W	NN05270610	RU42		4822 051 30391	CHIP,390Ω ±5% 1/16W	NN05391610
R688		4822 051 30103	CHIP,10kΩ ±5% 1/16W	NN05103610	RU43		4822 116 83207	CHIP,1.2kΩ ±5% 1/16W	NN05122610
R689		4822 051 30103	CHIP,10kΩ ±5% 1/16W	NN05103610	RU44		4822 051 30222	CHIP,2.2kΩ ±5% 1/16W	NN05222610
R691					RU50		4822 051 30472	CHIP,4.7kΩ ±5% 1/16W	NN05472610
}		4822 051 30223	CHIP,22kΩ ±5% 1/16W	NN05223610	RU51		4822 051 30472	CHIP,4.7kΩ ±5% 1/16W	NN05472610
R694					RU56		4822 051 30223	CHIP,22kΩ ±5% 1/16W	NN05223610
RR30		4822 051 30759	CHIP,75Ω ±5% 1/16W	NN05750610	RU57		4822 051 30223	CHIP,22kΩ ±5% 1/16W	NN05223610
RR31		4822 051 30279	CHIP,27Ω ±5% 1/16W	NN05270610	RU58		4822 051 30472	CHIP,4.7kΩ ±5% 1/16W	NN05472610
RR32		4822 051 30223	CHIP,22kΩ ±5% 1/16W	NN05223610	RU60		4822 051 30479	CHIP,47Ω ±5% 1/16W	NN05470610
RR33		4822 051 30223	CHIP,22kΩ ±5% 1/16W	NN05223610	RU61		4822 051 30221	CHIP,220Ω ±5% 1/16W	NN05221610
RR50		4822 051 30822	CHIP,8.2kΩ ±5% 1/16W	NN05822610	RU62		4822 051 30479	CHIP,47Ω ±5% 1/16W	NN05470610
RR51		9965 000 06300	CHIP,5.1kΩ ±5% 1/16W	NN0551261R	RU63		4822 116 83819	CHIP,18kΩ ±5% 1/16W	NN05183610
RR52		9965 000 06300	CHIP,5.1kΩ ±5% 1/16W	NN0551261R	RU64		4822 051 30221	CHIP,220Ω ±5% 1/16W	NN05221610
RR53		4822 051 30759	CHIP,75Ω ±5% 1/16W	NN05750610	RU65		4822 051 30473	CHIP,47kΩ ±5% 1/16W	NN05473610
RR54		4822 051 30339	CHIP,33Ω ±5% 1/16W	NN05330610	RU66		4822 051 30473	CHIP,47kΩ ±5% 1/16W	NN05473610
RR55		4822 117 12139	CHIP,22Ω ±5% 1/16W	NN05220610	RU67		4822 051 30221	CHIP,220Ω ±5% 1/16W	NN05221610
RR56		4822 117 12139	CHIP,22Ω ±5% 1/16W	NN05220610	RU70		4822 051 30223	CHIP,22kΩ ±5% 1/16W	NN05223610
RR57		4822 117 12139	CHIP,22Ω ±5% 1/16W	NN05220610	RU71		4822 051 30223	CHIP,22kΩ ±5% 1/16W	NN05223610
RR58		4822 051 30339	CHIP,33Ω ±5% 1/16W	NN05330610	RU72				
RR59		4822 051 30105	CHIP,1MΩ ±5% 1/16W	NN05105610	}		4822 116 82487	CHIP,0Ω ±5% 1/16W	NN05000610
RR60		4822 051 30222	CHIP,2.2kΩ ±5% 1/16W	NN05222610	RU78				
RR61		4822 051 30223	CHIP,22kΩ ±5% 1/16W	NN05223610	RU80		4822 050 26809	68Ω ±5% 1/4W	GG05680140
RR63		4822 051 30223	CHIP,22kΩ ±5% 1/16W	NN05223610	RU81		4822 051 30103	CHIP,10kΩ ±5% 1/16W	NN05103610
RR65		4822 051 30223	CHIP,22kΩ ±5% 1/16W	NN05223610	RU82		4822 051 30223	CHIP,22kΩ ±5% 1/16W	NN05223610
RR66		4822 051 30103	CHIP,10kΩ ±5% 1/16W	NN05103610	RU83		4822 051 30682	CHIP,6.8kΩ ±5% 1/16W	NN05682610
RR72		4822 117 12139	CHIP,22Ω ±5% 1/16W	NN05220610	RU84		4822 116 83963	2.2Ω ±5% 1/4W	GG05022140
RR73		4822 051 30339	CHIP,33Ω ±5% 1/16W	NN05330610	RU85		4822 051 30223	CHIP,22kΩ ±5% 1/16W	NN05223610

NOTE : *nsp* PART IS LISTED FOR REFERENCE ONLY, MARANTZ WILL NOT SUPPLY THESE PARTS.

POS. NO	VERS. COLOR	PART NO. (FOR PCS)	DESCRIPTION	PART NO. (MJI)
RU87		4822 050 26809	68Ω ±5% 1/4W	GG05680140
RU88		4822 051 30103	CHIP,10kΩ ±5% 1/16W	NN05103610
RU89		4822 051 30223	CHIP,22kΩ ±5% 1/16W	NN05223610
RU90		4822 051 30682	CHIP,6.8kΩ ±5% 1/16W	NN05682610
RU91		4822 116 83963	2.2Ω ±5% 1/4W	GG05022140
RU92		4822 051 30223	CHIP,22kΩ ±5% 1/16W	NN05223610
RU94		4822 116 83963	2.2Ω ±5% 1/4W	GG05022140
RU95		4822 051 30221	CHIP,220Ω ±5% 1/16W	NN05221610
P604- SEMICONDUCTORS				
DU01		4822 130 83715	CHIP DIODE,1SS301	HZ20028050
DU80		4822 130 83715	CHIP DIODE,1SS301	HZ20028050
DU81		4822 130 83715	CHIP DIODE,1SS301	HZ20028050
Q600		9965 000 12652	CHIP FET (2SK),HN1K05FU	HY22010050
Q601		9965 000 12652	CHIP FET (2SK),HN1K05FU	HY22010050
Q610		9965 000 12653	IC,CS493292	HC10009880
Q611		9965 000 04635	AUDIO DSP CRYSTAL	HC009805K0
Q640		9965 000 12653	IC,TC74VHCT245AFT	HC10009880
Q641		9965 000 04635	AUDIO DSP CRYSTAL	HC009805K0
Q641		9965 000 04635	IC,TC74VHCT245AFT	HC009805K0
Q671		9965 000 12654	IC,MBM29LV400TC-90P	HC60021000
Q673		9965 000 12655	IC,TC74VHCT244AFT	HC009705K0
Q674		9965 000 04636	IC,TC74VHC574FT	HC009605K0
Q675		9965 000 04636	IC,TC74VHC574FT	HC009605K0
Q676		9965 000 04635	IC,TC74VHCT245AFT	HC009805K0
Q680		9965 000 11670	IC,TC74VHCT541AFT	HC008805K0
Q681		9965 000 04639	IC,TC74VHC08FT TAPING	HC008205K0
Q682		9965 000 12656	IC,TC74VHC32FT	HC009505K0
Q683		9965 000 04632	IC,TC74VHC00FS	HC005105K0
Q684		9965 000 12656	IC,TC74VHC32FT	HC009505K0
Q685		9965 000 12646	IC,TC74VHC125FT	HC009405K0
QR44		9965 000 04639	IC,TC74VHC08FT TAPING	HC008205K0
QR50		9965 000 06294	IC,LC89055	HC10405030
QR70		9965 000 11670	(SPDIF RECORDER)	
QU01		9965 000 12345	IC,TC74VHCT541AFT	HC008805K0
QU02		9965 000 11677	IC,H8S/2633 FP-128	HC60022010
QU03		9965 000 11677	IC,PST600D-2 RESET TAPING	HC10098550
QU05		4822 111 92183	DIG. TRS.RN2303	BA10013050
QU05		4822 130 61553	(PNPX1(22K+22K))	
QU05		4822 130 61553	DIG. TRS.DTC124EU,RN1303	BA21303000
QU20		9965 000 04632	UMT TYPE	
QU20		9965 000 04632	IC,TC74VHC00FS	HC005105K0
QU21		9965 000 12646	IC,TC74VHC125FT	HC009405K0
QU41		9965 000 01771	IC,PQ30RV11	HC36930320
QU42		4822 130 61553	IC,TC74VHC125FT	HC009405K0
QU43		9965 000 09110	DIG. TRS.DTC124EU,RN1303	BA21303000
QU43		9965 000 09110	UMT TYPE	
QU50		9965 000 12346	TRS.2SA950 (GR,R)	HT109501A0
QU60		4822 130 61553	IC,HIN202ECB 16LEAD	HC10204990
QU60		4822 130 61553	WIDE BODY	
QU61		4822 111 92183	DIG. TRS.DTC124EU,RN1303	BA21303000
QU61		4822 111 92183	UMT TYPE	
QU62		4822 111 92183	DIG. TRS.RN2303	BA10013050
QU62		4822 111 92183	(PNPX1(22K+22K))	
QU62		4822 130 61553	DIG. TRS.DTC124EU,RN1303	BA21303000
QU62		4822 130 61553	UMT TYPE	
QU63		4822 111 92183	DIG. TRS.RN2303	BA10013050
QU63		4822 111 92183	(PNPX1(22K+22K))	
QU65		4822 111 92183	DIG. TRS.DTC124EU,RN1303	BA21303000
QU65		4822 111 92183	UMT TYPE	
QU66		4822 111 92183	DIG. TRS.RN2303	BA10013050
QU66		4822 111 92183	(PNPX1(22K+22K))	

POS. NO	VERS. COLOR	PART NO. (FOR PCS)	DESCRIPTION	PART NO. (MJI)
QU68		4822 111 92183	DIG. TRS.RN2303	BA10013050
QU68		4822 111 92183	(PNPX1(22K+22K))	
QU69		4822 130 90347	PHOTO CUPLER,PC-817	HW10006320
QU69		4822 130 90347	1PAIR	
QU70		9965 000 12647	IC,ATMEL AT24C08 8PIN SOIC	HC10191990
QU71		5322 209 11578	IC,PCF8574(I/O EXPANDER)	HC10068490
QU80		4822 130 42949	TRS.2SA970 (GR) OR (BL)	HT109702A0
QU81		4822 130 61553	DIG. TRS.DTC124EU,RN1303	BA21303000
QU81		4822 130 61553	UMT TYPE	
QU82		4822 111 92183	DIG. TRS.RN2303	BA10013050
QU82		4822 111 92183	(PNPX1(22K+22K))	
QU83		4822 130 42949	TRS.2SA970 (GR) OR (BL)	HT109702A0
QU84		4822 130 61553	DIG. TRS.DTC124EU,RN1303	BA21303000
QU84		4822 130 61553	UMT TYPE	
QU85		4822 111 92183	DIG. TRS.RN2303	BA10013050
QU85		4822 111 92183	(PNPX1(22K+22K))	
QU86		4822 130 61553	DIG. TRS.DTC124EU,RN1303	BA21303000
QU86		4822 130 61553	UMT TYPE	
P604- MISCELLANEOUS				
J600		9965 000 12754	RETAINER,GND TERMINAL	320J104010
JR30		4822 290 81638	TERMINAL,14X14 RA 1L1P	YT02010790
JR30		4822 290 81638	BLK AU FLM-GND	
JR31		9965 000 12657	OPT.CONNECTOR,JFJ300	YJ15000210
JU50		9965 000 12342	JACK,DELC-J9PAF-20L9	YJ90001220
JU61		4822 267 41009	TERMINAL,2P CINCH PINJACK	YT02020890
JU62		9965 000 12343	TERMINAL,CINCH PIN JACK	YT02021740
JU62		9965 000 12343	GRN-GRN	
JU80		9965 000 12344	JACK,3.5MM MINI JACK	YJ01004750
JU80		9965 000 12344	LGA6502-0150	
JU82		9965 000 03411	JACK,LGY6501-0600	YJ01004670
JU82		9965 000 03411	3.5 MINI JACK	
L691		4822 242 73843	EMI FILTER,DSS306-91-F-223Z	FM12223010
LR30		4822 142 60422	PULSE TRANSF.	TP41042030
LR30		4822 142 60422	(TPS247MN-0386AN)	
LU01				
LU01		9965 000 05005	FERRITE CORE,	FC90020120
LU01		9965 000 05005	BK1608HM102-T BEADS	
LU54				
LU71				
LU71		9965 000 05005	FERRITE CORE,	FC90020120
LU71		9965 000 05005	BK1608HM102-T BEADS	
LU80				
LU81				
LU81		4822 242 73843	EMI FILTER,DSS306-91-F-223Z	FM12223010
LU86				
LU87		9965 000 05005	FERRITE CORE,	FC90020120
LU87		9965 000 05005	BK1608HM102-T BEADS	
SU02		9965 000 12347	PUSH SW.SPUJ191000	SP02022320
SU02		9965 000 12347	WITH KNOB	
XR50		4822 242 10851	CRYSTAL,12.288MHZ (AT-49)	JX12013260
XU01		9965 000 12348	SERAMVIB.CSTLS 5.0MHZ	FQ05004050
P814- BACKUP TRANSF, AC OUTLET CIRCUIT BOARD				
P814- CAPACITORS				
C802			CER.DE1607-1F 103M-KH	DK17103910
C803	/U		CER.DE1607-1F 103M-KH	DK17103910
C804	/U		CER.100pF UP050B101K-A	DA16101110
C805	/U		ELECT.100µF ±20% 10V RA-2	OA10701020
C805	/N/S	4822 126 10364	CER.100pF UP050B101K-A	DA16101110
C811		4822 124 23649	ELECT.470µF 25V ±20% RA-2	OA47702520
C812		4822 124 22698	ELECT.47µF ±20% 25V RA-2	OA47602520
C813		4822 124 80582	ELECT.4700µF 16V	OA47801620
C814		4822 122 40617	CER.50V DC 0.1µF +80-20%	DD38104010

NOTE : *hsp* PART IS LISTED FOR REFERENCE ONLY, MARANTZ WILL NOT SUPPLY THESE PARTS.

SR9200

POS. NO	VERS. COLOR	PART NO. (FOR PCS)	DESCRIPTION	PART NO. (MJI)	POS. NO	VERS. COLOR	PART NO. (FOR PCS)	DESCRIPTION	PART NO. (MJI)
C815		4822 122 40617	CER.50V DC 0.1μF +80-20%	DD38104010	C831		4822 124 23918	ELECT.ELNA RA2 16X25	OA10805020
C816		4822 122 40617	CER.50V DC 0.1μF +80-20%	DD38104010	C832		4822 124 41542	ELECT.470μF ±20% 50V RA-2	OA47705020
C817		4822 124 90354	ELECT.100μF ±20% 16V RA-2	OA10701620	C833				
			P814- RESISTORS				4822 122 40617	CER.50V DC 0.1μF +80-20%	DD38104010
▲ R801	/U		ROTOR,2.2Ω 7W	NQ15022070	C836				
▲ R802	/U		W/TEMP.FUSE		C837		4822 124 41535	ELECT.100μF ±20% 25V RA-2	OA10702520
			ROTOR,2.2Ω 7W	NQ15022070	C838		4822 124 41535	ELECT.100μF ±20% 25V RA-2	OA10702520
R807		4822 117 10158	1Ω ±5% 1/4W	GG05010140	C839		4822 124 90355	ELECT.100μF ±20% 50V RA-2	OA10705020
R808	/U		470Ω ±5% 1/4W	GG05471140	C840		4822 122 40617	CER.50V DC 0.1μF +80-20%	DD38104010
R811		4822 052 10471	470Ω ±5% 1/6W	GG05471160	C841		4822 122 40617	CER.50V DC 0.1μF +80-20%	DD38104010
▲ R899	/U		2.2MΩ ±10% 1/2W FOR UL	RC10225820	▲ C842		9965 000 12765	ELECT.35XL90 VNSD	OB18907120
					▲ C845				
			P814- RESISTORS(COMMON)		C846		4822 122 40617	CER.50V DC 0.1μF +80-20%	DD38104010
R***			CARBON FILM FIXED RES.		C847		4822 124 41535	ELECT.100μF ±20% 25V RA-2	OA10702520
			±5% 1/6W : R803[U] R804[U]		C848		4822 122 40617	CER.50V DC 0.1μF +80-20%	DD38104010
			R805 R806 R812 R813		▲ CN07		4822 124 90366	ELECT.220μF ±20% 50V RA-2	OA22705020
					CN08		4822 126 10364	CER.100pF UP050B101K-A	DA16101110
					CN09		4822 126 10364	CER.100pF UP050B101K-A	DA16101110
			P814- SEMICONDUCTORS					P834-CAPACITORS(COMMON)	
D801	/U		DIODE,1D3 1A/200V	HD20002710				PLASTIC FILM CAPACITOR	
D802		4822 130 82421	DIODE,1D3 1A/200V	HD20002710	C***			±5% 50V : C512	
D803	/U		DIODE,1SS176,MA165,1SS254	HD20002000					
			30V 0.1A						
D804		4822 130 32362	DIODE,1SS176,MA165,1SS254	HD20002000	C***			HIGH DIELECTRIC CONSTANT	
			30V 0.1A					CER.CAPACITOR ±10% 50V :	
▲ D811								C513	
▲ }		4822 130 82421	DIODE,1D3 1A/200V	HD20002710					
▲ D816								P834- RESISTORS	
D817		4822 130 80317	ZENER,5.1V EQUIVALENT	HD30511000	R538		4822 052 10331	330Ω ±5% 1/4W	GG05331140
Q801	/U		TRS.2SA1048 Y OR GR	HT110482B0	R539		4822 052 10331	330Ω ±5% 1/4W	GG05331140
Q802		4822 130 60107	TRS.2SA1048 Y OR GR	HT110482B0	R831		4822 050 21021	100Ω ±5% 1/4W	GG05101140
Q803		4822 130 60588	DIG.TR.S.DTC114ES/UN4211	BA20001000	R832		4822 050 21021	100Ω ±5% 1/4W	GG05101140
			10K,10K		R833		4822 050 21108	1Ω ±5% 1/2W	GG05010120
▲ Q811		4822 209 61847	IC,NJM78M05FA	HC38505090	R834		4822 117 10158	1Ω ±5% 1/4W	GG05010140
Q812		9965 000 11677	IC,PST600D-2 RESET TAPING	HC10098550	R835		4822 052 10101	100Ω ±5% 1/6W	GG05101160
					RN24		4822 117 10158	1Ω ±5% 1/4W	GG05010140
			P814- MISCELLANEOUS					P834- RESISTORS(COMMON)	
▲ F801	/U		FUSE,12A 250V	FS11200440				CARBON FILM FIXED RES.	
			UL,CSA,MITI NO.314					±5% 1/6W : R536 R537	
▲ F801	/N/S	4822 070 36302	FUSE,6.3 A 250V BS LISTED	FS10630850	R***			R551-R563 RN25 RN26 RN46	
▲ J801	/U		JACK,2P AC OUTLET	YJ04002040					
			(CCT1304-0212)						
▲ J801	/N	4822 267 31194	JACK,AC SOKET YKE31-0090	YJ04001640				P834- SEMICONDUCTORS	
▲ L801		4822 280 80773	RELAY,VS24MB-NR TV-8	LY10240240	D501		4822 130 32362	DIODE,1SS176,MA165,1SS254	HD20002000
▲ L802	/U		POWER RELAY,G5PA-1 5A	LY10120400				30V 0.1A	
▲ L811	/N/S	9965 000 12339	POWER TRANSF.AC230V	TS13521080	D502		4822 130 82421	DIODE,1D3 1A/200V	HD20002710
▲ L811	/U		POWER TRANSF.AC120V	TS13521070	D503		4822 130 82421	DIODE,1D3 1A/200V	HD20002710
					▲ D831				
			P824- POWER SW		▲ }		4822 130 82421	DIODE,1D3 1A/200V	HD20002710
			(EXEPT /U)		▲ D838				
			CIRCUIT BOARD		D839		4822 130 81729	ZENER,MTZJ33D	HD33301000
			P824- CAPACITORS		D840		4822 130 80318	ZENER,6.8V EQUIVALENT	HD30681000
▲ C801	/N/S		CER.DE1307-1E 472M-KH	DK17472910	▲ D841		9965 000 01578	DIODE,600V 25A	HE20029290
								BRIDGE-DI D25XB60	
			P824- MISCELLANEOUS		▲ DN01		4822 130 82421	DIODE,1D3 1A/200V	HD20002710
▲ S801	/N/S	9965 000 11695	PUSH SW.MAINS POWER	SP01013800	▲ DN02		4822 130 82421	DIODE,1D3 1A/200V	HD20002710
			ESB92S17B		DN03		4822 130 82609	ZENER,MTZJ2.0B	HD30201000
					DN04		4822 130 82609	ZENER,MTZJ2.0B	HD30201000
			P834- POWER SUPPLY		Q503		4822 130 60839	TRS.2SC2458 Y OR GR	HT324582B0
			FOR POWER AMP		Q504		4822 130 60839	TRS.2SC2458 Y OR GR	HT324582B0
			CIRCUIT BOARD		Q505		4822 130 60588	DIG.TR.S.DTC114ES/UN4211	BA20001000
			P834- CAPACITORS					10K,10K	
C511		4822 126 10364	CER.100pF UP050B101K-A	DA16101110					
C514		4822 124 23056	ELECT,47μF/16V	EJ47601610	Q506		4822 130 60839	TRS.2SC2458 Y OR GR	HT324582B0

NOTE : *nsp* PART IS LISTED FOR REFERENCE ONLY, MARANTZ WILL NOT SUPPLY THESE PARTS.

SR9200

POS. NO	VERS. COLOR	PART NO. (FOR PCS)	DESCRIPTION	PART NO. (MJI)	POS. NO	VERS. COLOR	PART NO. (FOR PCS)	DESCRIPTION	PART NO. (MJI)	
Q507		4822 130 60839	TRS.2SC2458 Y OR GR	HT324582B0				PC04- RESISTORS(COMMON) CARBON FILM FIXED RES. ±5% 1/6W : RC01-RC04 RC06 RC12 RC13 RC16[U] RC17-RC21 RC24-RC50 RC52		
Q508		4822 130 60107	TRS.2SA1048 Y OR GR	HT110482B0						
▲ Q831		4822 209 80675	IC,NJM78M18FA	HC38518090						
▲ Q832		4822 209 83829	IC,-18V 500MA REG. NJM79M18FA JR	HC39518090						
▲ Q833		4822 209 80675	IC,NJM78M18FA	HC38518090						
			P834- MISCELLANEOUS							
▲ L501		9965 000 12665	RELAY,VSB24STB 16A AVSS	LY10240300	DC01		4822 130 82159		L.E.D.GL3ED8 SHARP	HI10099320
▲ L502		9965 000 12665	RELAY,VSB24STB 16A AVSS	LY10240300	DC02		9965 000 12659		L.E.D.SLR-932AV-8K A RANK 5MM P2.5	HI20006030
			P844- AC INLET CIRCUIT BOARD							
▲ J810		9965 000 01313	JACK,2P MAINS INLET PWI1910-H	YJ04002440	DC05					
			P844- MISCELLANEOUS		DC06		4822 130 32362		DIODE,1SS176,MA165,1SS254 30V 0.1A	HD20002000
			PC04- FRONT CIRCUIT BOARD							
			PC04- CAPACITORS		QC01		9965 000 12660	IC,NJM3430FG1	HC10220090	
CC01					QC02		4822 130 41947	TRS.C2458,C1740S,C3199,ETC	HT30001000	
}		4822 122 40617	CER.50V DC 0.1µF +80-20%	DD38104010	QC03		4822 130 41947	TRS.C2458,C1740S,C3199,ETC	HT30001000	
CC05					QC04		4822 218 12029	PHOTO UNIT, IR SENSOR TSOP 1136 TB1	HW10002620	
CC07			CER.390pF	DA16391110	QC05		4822 130 61227	DIG.TRS.DTA114ES/UN4111 10K,10K	BA10001000	
CC08		4822 126 10364	CER.100pF UP050B101K-A	DA16101110	QC06		4822 130 61227	DIG.TRS.DTA114ES/UN4111 10K,10K	BA10001000	
CC09		4822 126 11558	CER.CER.0.1µF Z 50V	DA17104110	QC07		4822 130 61227	DIG.TRS.DTA114ES/UN4111 10K,10K	BA10001000	
CC10		4822 126 11558	CER.CER.0.1µF Z 50V	DA17104110	QC08		4822 130 41947	TRS.C2458,C1740S,C3199,ETC	HT30001000	
CC11		4822 126 11558	CER.CER.0.1µF Z 50V	DA17104110	QC09		4822 130 42292	TRS.2SC2120 O	HT321201A0	
CC12		4822 122 40617	CER.50V DC 0.1µF +80-20%	DD38104010	QC10		4822 130 42292	TRS.2SC2120 O	HT321201A0	
CC13		4822 126 11558	CER.CER.0.1µF Z 50V	DA17104110	QC11		9965 000 11677	IC,PST600D-2 RESET TAPING	HC10098550	
CC16		4822 122 40617	CER.50V DC 0.1µF +80-20%	DD38104010				PC04- MISCELLANEOUS		
CC17		4822 122 30103	CER.0.022µF Z 50V	DK18223310	SC01		9965 000 00373	PUSH SW.EVQ11L05R H/5MM, 160GF	SP01013370	
CC18		4822 124 21901	ELECT,47µF/6.3V	EJ47600610	}					
CC21		4822 122 40617	CER.50V DC 0.1µF +80-20%	DD38104010	SC26					
CC22		4822 122 40617	CER.50V DC 0.1µF +80-20%	DD38104010	SC27		9965 000 01349	ROTALY ENCODER, EC16B 16PLS 16CLICK	SR02010080	
CC30		4822 124 80665	ELECT,10µF/50V	EJ10605010	VC01		9965 000 12661	DISPLAY UNIT,16-BT-92GNK	HQ31601410	
CC31		4822 126 11558	CER.CER.0.1µF Z 50V	DA17104110						
CC32		4822 126 11558	CER.CER.0.1µF Z 50V	DA17104110						
CC33		4822 126 11558	CER.CER.0.1µF Z 50V	DA17104110						
CC34		4822 124 21894	ELECT,10µF/16V	EJ10601610				PC64- STANDBY TACT SW CIRCUIT BOARD (/U ONLY)		
CC35		4822 122 40617	CER.50V DC 0.1µF +80-20%	DD38104010				PC64- MISCELLANEOUS		
CC36		4822 126 10935	ELECT,100µF/6.3V	EJ10700610	SC60 /U			PUSH SW.EVQ11L05R H/5MM, 160GF	SP01013370	
CC38		4822 122 40617	CER.50V DC 0.1µF +80-20%	DD38104010						
CC40		4822 122 40586	CER.10000pF	DA17103110						
CC41		4822 122 40586	CER.10000pF	DA17103110						
CC43		4822 126 10935	ELECT,100µF/6.3V	EJ10700610				PC84- VOLUME ENCODER CIRCUIT BOARD		
CC44		4822 122 40617	CER.50V DC 0.1µF +80-20%	DD38104010				PC84- CAPACITORS		
CC50		4822 124 90353	ELECT.100µF ±20% 10V RA-2	OA10701020	CC80		4822 122 40617	CER.50V DC 0.1µF +80-20%	DD38104010	
CC51		4822 124 90355	ELECT.100µF ±20% 50V RA-2	OA10705020	CC81		4822 122 40586	CER.10000pF	DA17103110	
			PC04-CAPACITORS(COMMON)		CC82		4822 122 40586	CER.10000pF	DA17103110	
			PLASTIC FILM CAPACITOR ±5% 50V : CC20							
			PC04- RESISTORS					PC84- RESISTORS(COMMON)		
RC08			COMPO.RKC13BS473J ±5% P1.8	BW05473230				CARBON FILM FIXED RES. ±5% 1/6W : RC80-RC85		
RC09			COMPO.RKC13BS473J ±5% P1.8	BW05473230	SC80		9965 000 00373	PUSH SW.EVQ11L05R H/5MM, 160GF	SP01013370	
RC10			COMPO.RKC13BS103J ±5% P1.8	BW05103330	SC81		9965 000 00373	PUSH SW.EVQ11L05R H/5MM, 160GF	SP01013370	
RC11			COMPO.RKC13BS473J ±5% P1.8	BW05473230	SC82		9965 000 01348	ROTALY ENCODER, 36PULSE EC16B	SR02010070	

NOTE : *nsp* PART IS LISTED FOR REFERENCE ONLY, MARANTZ WILL NOT SUPPLY THESE PARTS.

SR9200

POS. NO	VERS. COLOR	PART NO. (FOR PCS)	DESCRIPTION	PART NO. (MJI)	POS. NO	VERS. COLOR	PART NO. (FOR PCS)	DESCRIPTION	PART NO. (MJI)
			PC94- JYRO CIRCUIT BOARD		CD56				
			PC94- CAPACITORS		}		4822 126 11703	CER.0.01µF	DK98103300
CC90		4822 122 40617	CER.50V DC 0.1µF +80-20%	DD38104010	CD59		4822 126 11703	CER.0.01µF	DK98103300
			PC94- RESISTORS(COMMON)		CD60				
R***			CARBON FILM FIXED RES. ±5% 1/6W : RC90		}		4822 124 22571	ELECT.10µF ±20% 50V RA-2	OA10605020
			PC94- SEMICONDUCTORS		CD65				
QC90		4822 130 11143	PHOTO UNIT,GP1A06 2PHASE PHOTOINTERRUPTER	HW10033320	CH01				
			PD04- DIG IN/ADC/DAC CIRCUIT BOARD		}		4822 121 70089	FILM,820pF ±5% 50V	DF15821350
			PD04- CAPACITORS		CH08				
CA01					CH09				
}					}		9965 000 09113	FILM,APSV 271J, 270pF(TP) 100V PP	OF15271540
CA05		4822 126 13837	CER.0.1µF ±10% B 10V	DK96104200	CH16				
CA06					CH17				
}					}		4822 124 80578	ELECT.22µF 25V ARA	OA22602550
CA09		4822 126 11687	CER.GRM39F104Z16 0.1µF	DK98104200	CH20				
CA10		4822 124 22698	ELECT.47µF ±20% 25V RA-2	OA47602520	CH21				
CA12		4822 124 22698	ELECT.47µF ±20% 25V RA-2	OA47602520	}		9965 000 06697	FILM,APSV 561J 560pF(TP) 100V PP	OF15561540
CA14					CH24				
}					CH25				
CA20		4822 126 11687	CER.GRM39F104Z16 0.1µF	DK98104200	}		4822 124 90362	ELECT.22µF ±20% 50V RA-2	OA22605020
CD01					CH28				
}					CH29				
CD04		4822 124 22571	ELECT.10µF ±20% 50V RA-2	OA10605020	}		4822 122 33761	CER.22pF ±5% CG 50V GR39	DD95220300
CD05					CH32				
}					CH33				
CD12		4822 126 11687	CER.GRM39F104Z16 0.1µF	DK98104200	}		4822 124 80578	ELECT.22µF 25V ARA	OA22602550
CD13					CH36				
}					CH37				
CD16		9965 000 01567	ELECT.100µF 10V ARA	OA10701050	}		9965 000 05891	FILM,APSV 471J, 470pF(TP) 100V PP	OF15471540
CD17					CH40				
}					CH41				
CD20		4822 126 11687	CER.GRM39F104Z16 0.1µF	DK98104200	}		4822 121 10792	FILM,APSV 221J, 220pF(TP) 100V PP	OF15221540
CD21					CH42				
}					}		4822 121 10792	FILM,APSV 221J, 220pF(TP) 100V PP	OF15221540
CD24					CH43				
CD25					}		4822 122 33777	CER.47pF ±5% CG 50V GR39	DD95470300
}					CH44				
CD28		4822 126 11687	CER.GRM39F104Z16 0.1µF	DK98104200	}		4822 122 33777	CER.47pF ±5% CG 50V GR39	DD95470300
CD29					CH45				
}					CH46				
CD32		4822 124 22571	ELECT.10µF ±20% 50V RA-2	OA10605020	}		4822 124 80578	ELECT.22µF 25V ARA	OA22602550
CD33					CH47				
}					}		9965 000 05891	FILM,APSV 471J, 470pF(TP) 100V PP	OF15471540
CD36		4822 126 11687	CER.GRM39F104Z16 0.1µF	DK98104200	CH48				
CD37					}		9965 000 05891	FILM,APSV 471J, 470pF(TP) 100V PP	OF15471540
}					CH49				
CD40		4822 124 90353	ELECT.100µF ±20% 10V RA-2	OA10701020	}		4822 126 11687	CER.GRM39F104Z16 0.1µF	DK98104200
CD41					CH56				
}					CJ01				
CD44		4822 126 11759	CER.100pF ±5% CG 50V GR39	DD95101300	}		4822 121 70089	FILM,820pF ±5% 50V	DF15821350
CD50					CJ08				
}					CJ09				
CD53		4822 126 11703	CER.0.01µF	DK98103300	}		9965 000 09113	FILM,APSV 271J, 270pF(TP) 100V PP	OF15271540
CD54		4822 126 11687	CER.GRM39F104Z16 0.1µF	DK98104200	CJ16				
CD55		4822 126 11687	CER.GRM39F104Z16 0.1µF	DK98104200	CJ17				
					}		4822 124 80578	ELECT.22µF 25V ARA	OA22602550
					CJ18				
					}		4822 124 90362	ELECT.22µF ±20% 50V RA-2	OA22605020
					CJ19				
					}		4822 124 80578	ELECT.22µF 25V ARA	OA22602550
					CJ20				
					}		4822 124 80578	ELECT.22µF 25V ARA	OA22602550
					CJ21				
					}		9965 000 06697	FILM,APSV 561J 560pF(TP) 100V PP	OF15561540
					CJ24				

NOTE : *nsp* PART IS LISTED FOR REFERENCE ONLY, MARANTZ WILL NOT SUPPLY THESE PARTS.

SR9200

POS. NO	VERS. COLOR	PART NO. (FOR PCS)	DESCRIPTION	PART NO. (MJI)	POS. NO	VERS. COLOR	PART NO. (FOR PCS)	DESCRIPTION	PART NO. (MJI)
CJ25					RA06				
}		4822 124 90362	ELECT.22µF ±20% 50V RA-2	OA22605020	}		4822 051 30102	CHIP,1kΩ ±5% 1/16W	NN05102610
CJ28					RA10				
CJ29					RA11				
}		4822 122 33761	CER.22pF ±5% CG 50V GR39	DD95220300	}		4822 117 13632	CHIP,100kΩ ±5% 1/16W	NN05104610
CJ32					RA15				
CJ33		4822 124 80578	ELECT.22µF 25V ARA	OA22602550	RA16				
CJ34		4822 124 90362	ELECT.22µF ±20% 50V RA-2	OA22605020	}		4822 051 30472	CHIP,4.7kΩ ±5% 1/16W	NN05472610
CJ35		4822 124 80578	ELECT.22µF 25V ARA	OA22602550	RA20				
CJ36		4822 124 80578	ELECT.22µF 25V ARA	OA22602550	RA21				
CJ37					}		4822 051 30103	CHIP,10kΩ ±5% 1/16W	NN05103610
}		9965 000 05891	FILM,APSV 471J, 470pF(TP) 100V PP	OF15471540	RA24				
CJ40					RD01				
CJ41					}		4822 051 30102	CHIP,1kΩ ±5% 1/16W	NN05102610
}		4822 126 11687	CER.GRM39F104Z16 0.1µF	DK98104200	RD08				
CJ48					RD09		4822 051 30103	CHIP,10kΩ ±5% 1/16W	NN05103610
CK01		4822 111 41305	0Ω ±5% 1/4W	GD05000140	RH01				
CK02		4822 111 41305	0Ω ±5% 1/4W	GD05000140	}		4822 051 30222	CHIP,2.2kΩ ±5% 1/16W	NN05222610
CK03		4822 124 90362	ELECT.22µF ±20% 50V RA-2	OA22605020	RH28				
CK04		4822 124 90362	ELECT.22µF ±20% 50V RA-2	OA22605020	RH29				
CK05		4822 122 33753	CER.150pF ±5% CG 50V GR39	DD95151300	}		4822 117 13632	CHIP,100kΩ ±5% 1/16W	NN05104610
CK06		4822 122 33753	CER.150pF ±5% CG 50V GR39	DD95151300	RH32				
CK07		4822 126 11759	CER.100pF ±5% CG 50V GR39	DD95101300	RH33		4822 051 30223	CHIP,22kΩ ±5% 1/16W	NN05223610
CK08		4822 126 11759	CER.100pF ±5% CG 50V GR39	DD95101300	RH34		4822 051 30223	CHIP,22kΩ ±5% 1/16W	NN05223610
CK09		9965 000 05891	FILM,APSV 471J, 470pF(TP) 100V PP	OF15471540	RH35		4822 051 30103	CHIP,10kΩ ±5% 1/16W	NN05103610
CK10		9965 000 05891	FILM,APSV 471J, 470pF(TP) 100V PP	OF15471540	RH36		4822 051 30103	CHIP,10kΩ ±5% 1/16W	NN05103610
CK11					RH37		4822 116 83217	CHIP,560kΩ ±5% 1/16W	NN05564610
}		4822 126 11687	CER.GRM39F104Z16 0.1µF	DK98104200	RH38		4822 116 83217	CHIP,560kΩ ±5% 1/16W	NN05564610
CK17					RH39		4822 116 83209	CHIP,120kΩ ±5% 1/16W	NN05124610
CK18		4822 124 22571	ELECT.10µF ±20% 50V RA-2	OA10605020	RH40		4822 116 83209	CHIP,120kΩ ±5% 1/16W	NN05124610
CK19		4822 124 41543	ELECT.1µF ±20% 50V RA-2	OA10505020	RH41				
CK20		4822 124 41543	ELECT.1µF ±20% 50V RA-2	OA10505020	}		4822 051 30103	CHIP,10kΩ ±5% 1/16W	NN05103610
CK21					RH44				
}		4822 122 33777	CER.47pF ±5% CG 50V GR39	DD95470300	RH45				
CK24					}		4822 051 30471	CHIP,470Ω ±5% 1/16W	NN05471610
CK25		4822 126 11687	CER.GRM39F104Z16 0.1µF	DK98104200	RH48				
CK26		4822 126 11687	CER.GRM39F104Z16 0.1µF	DK98104200	RH49				
CK27		4822 122 33777	CER.47pF ±5% CG 50V GR39	DD95470300	}		4822 117 13632	CHIP,100kΩ ±5% 1/16W	NN05104610
CK28		4822 122 33777	CER.47pF ±5% CG 50V GR39	DD95470300	RH52				
CK29		9965 000 08352	CER.0.1µF 50V F C1608JF1H104Z	DK98104300	RH53		4822 051 30472	CHIP,4.7kΩ ±5% 1/16W	NN05472610
CK30		9965 000 00599	CER.0.22µF ±10% B 10V	DK96224200	RH54		4822 051 30472	CHIP,4.7kΩ ±5% 1/16W	NN05472610
CK51		4822 126 11687	CER.GRM39F104Z16 0.1µF	DK98104200	RH55		4822 051 30332	CHIP,3.3kΩ ±5% 1/16W	NN05332610
CK52		4822 126 11687	CER.GRM39F104Z16 0.1µF	DK98104200	RH56		4822 051 30332	CHIP,3.3kΩ ±5% 1/16W	NN05332610
CK53		4822 124 22571	ELECT.10µF ±20% 50V RA-2	OA10605020	RH57		4822 051 30472	CHIP,4.7kΩ ±5% 1/16W	NN05472610
CK54		4822 124 22571	ELECT.10µF ±20% 50V RA-2	OA10605020	RH58		4822 051 30472	CHIP,4.7kΩ ±5% 1/16W	NN05472610
CK55		9965 000 06287	CER.GRM39F224Z16 0.22µF	DK98224200	RH59		4822 051 30332	CHIP,3.3kΩ ±5% 1/16W	NN05332610
CK56		9965 000 06287	CER.GRM39F224Z16 0.22µF	DK98224200	RH60		4822 051 30332	CHIP,3.3kΩ ±5% 1/16W	NN05332610
CK57		4822 126 11687	CER.GRM39F104Z16 0.1µF	DK98104200	RH61		4822 051 30471	CHIP,470Ω ±5% 1/16W	NN05471610
CK58		4822 126 11687	CER.GRM39F104Z16 0.1µF	DK98104200	RH62		4822 051 30471	CHIP,470Ω ±5% 1/16W	NN05471610
CK59		4822 124 90353	ELECT.100µF ±20% 10V RA-2	OA10701020	RH63		4822 117 13632	CHIP,100kΩ ±5% 1/16W	NN05104610
CK60		4822 124 90353	ELECT.100µF ±20% 10V RA-2	OA10701020	RH64		4822 117 13632	CHIP,100kΩ ±5% 1/16W	NN05104610
CK61		4822 126 11568	CER.470pF (GR39)	DK96471300	RJ01				
CK68		4822 126 11568	CER.470pF (GR39)	DK96471300	}		4822 051 30222	CHIP,2.2kΩ ±5% 1/16W	NN05222610
RA01					RJ28				
}		4822 051 30759	CHIP,75Ω ±5% 1/16W	NN05750610	RJ29				
RA05					}		4822 117 13632	CHIP,100kΩ ±5% 1/16W	NN05104610
			PD04- RESISTORS		RJ32				
					RJ33		4822 051 30223	CHIP,22kΩ ±5% 1/16W	NN05223610
					RJ34		4822 051 30472	CHIP,4.7kΩ ±5% 1/16W	NN05472610
					RJ35		4822 051 30103	CHIP,10kΩ ±5% 1/16W	NN05103610
					RJ36		4822 051 30103	CHIP,10kΩ ±5% 1/16W	NN05103610
					RJ37		4822 116 83217	CHIP,560kΩ ±5% 1/16W	NN05564610
					RJ38		4822 051 30683	CHIP,68kΩ ±5% 1/16W	NN05683610

NOTE : *nsp* PART IS LISTED FOR REFERENCE ONLY, MARANTZ WILL NOT SUPPLY THESE PARTS.

SR9200

POS. NO	VERS. COLOR	PART NO. (FOR PCS)	DESCRIPTION	PART NO. (MJI)	POS. NO	VERS. COLOR	PART NO. (FOR PCS)	DESCRIPTION	PART NO. (MJI)
RJ39		4822 116 83209	CHIP,120kΩ ±5% 1/16W	NN05124610				PD04- SEMICONDUCTORS	
RJ40		4822 116 83209	CHIP,120kΩ ±5% 1/16W	NN05124610	DA01				
RJ41					}	4822 130 81324	CHIP DIODE,1SS302		HZ20018050
RJ44					DA05				
RJ45		4822 051 30103	CHIP,10kΩ ±5% 1/16W	NN05103610	DK01				
RJ48					}	4822 130 81324	CHIP DIODE,1SS302		HZ20018050
RJ49					DK05				
RJ52		4822 051 30471	CHIP,470Ω ±5% 1/16W	NN05471610	DK70	4822 130 81324	CHIP DIODE,1SS302		HZ20018050
RK01					DK71	4822 130 81324	CHIP DIODE,1SS302		HZ20018050
RK02		4822 051 30682	CHIP,6.8kΩ ±5% 1/16W	NN05682610	QA01	4822 209 31568	IC,CMOS 74HCU04 FLAT TAPING		HC700400Z0
RK03		4822 051 30392	CHIP,3.9kΩ ±5% 1/16W	NN05392610	QA02	4822 209 31568	IC,CMOS 74HCU04 FLAT TAPING		HC700400Z0
RK04		4822 051 30392	CHIP,3.9kΩ ±5% 1/16W	NN05392610	QA03	9965 000 01342	IC,TC74HC151AF		HC715100Z0
RK05		4822 051 30272	CHIP,2.7kΩ ±5% 1/16W	NN05272610	QA04	9965 000 01342	IC,TC74HC151AF		HC715100Z0
RK06		4822 051 30272	CHIP,2.7kΩ ±5% 1/16W	NN05272610	QA05	4822 209 31929	IC,OR-GATE 74HC32		HC703200Z0
RK07		4822 051 30222	CHIP,2.2kΩ ±5% 1/16W	NN05222610	QA06	4822 209 30426	IC,CMOS 74HC00 FLAT TAPING		HC700000Z0
RK08		4822 051 30222	CHIP,2.2kΩ ±5% 1/16W	NN05222610	QA07	5322 209 11578	IC,PCF8574(I/O EXPANDER)		HC10068490
RK09		4822 051 30472	CHIP,4.7kΩ ±5% 1/16W	NN05472610	QD01				
RK10		4822 051 30472	CHIP,4.7kΩ ±5% 1/16W	NN05472610	}	9965 000 12651	IC,24BIT 192KHZ DAC DR=120DB		HC10011880
RK11					QD04				
RK14		4822 051 30103	CHIP,10kΩ ±5% 1/16W	NN05103610	QH01				
RK15					}	4822 209 17155	IC,NJM2068M TAPING		HC10102090
RK18					QH05				
RK19		4822 051 30331	CHIP,330Ω ±5% 1/16W	NN05331610	QJ01				
RK20					}	4822 209 17155	IC,NJM2068M TAPING		HC10102090
RK21		4822 051 30222	CHIP,2.2kΩ ±5% 1/16W	NN05222610	QJ04				
RK22		4822 051 30222	CHIP,2.2kΩ ±5% 1/16W	NN05222610	QK01	4822 130 63601	CHIP TRS.(2SC),2SC4213		HX342132A0
RK23		4822 051 30105	CHIP,1MΩ ±5% 1/16W	NN05105610	QK02	4822 130 63601	CHIP TRS.(2SC),2SC4213		HX342132A0
RK28					QK03	4822 209 14615	IC,NJM2115M		HC10172090
RK29		4822 051 30223	CHIP,22kΩ ±5% 1/16W	NN05223610	QK04	4822 209 14615	IC,NJM2115M		HC10172090
RK30		4822 051 30473	CHIP,47kΩ ±5% 1/16W	NN05473610	QK05	4822 209 17155	IC,NJM2068M TAPING		HC10102090
RK31		4822 051 30473	CHIP,47kΩ ±5% 1/16W	NN05473610	QK06	4822 209 17155	IC,NJM2068M TAPING		HC10102090
RK32		4822 051 30472	CHIP,4.7kΩ ±5% 1/16W	NN05472610	QK07	4822 130 61903	DIG.TRS.DTA114EU		BA10026210
RK33		4822 051 30473	CHIP,47kΩ ±5% 1/16W	NN05473610	QK08	4822 209 14615	IC,NJM2115M		HC10172090
RK34		4822 051 30103	CHIP,10kΩ ±5% 1/16W	NN05103610	QK51	9965 000 09111	IC,ADC AK5383VS 96kHz24BIT		HC10033480
RK35		4822 116 83215	CHIP,5.6kΩ ±5% 1/16W	NN05562610	QK70	4822 130 61903	DIG.TRS.DTA114EU		BA10026210
RK36		4822 051 30103	CHIP,10kΩ ±5% 1/16W	NN05103610	QK71	4822 130 42292	TRS.2SC2120 O		HT321201A0
RK37		4822 116 83215	CHIP,5.6kΩ ±5% 1/16W	NN05562610	QK72	4822 130 61903	DIG.TRS.DTA114EU		BA10026210
RK39		4822 051 30103	CHIP,10kΩ ±5% 1/16W	NN05103610	QK73	4822 130 42292	TRS.2SC2120 O		HT321201A0
RK40		4822 051 30684	CHIP,680kΩ ±5% 1/16W	NN05684610					
RK41		4822 051 30684	CHIP,680kΩ ±5% 1/16W	NN05684610	JA01	4822 267 41157	TERMINAL,14X14 RA 1L3P BLK AU F-SHIELD		YT02030610
RK42		4822 051 30684	CHIP,680kΩ ±5% 1/16W	NN05684610	JA02	9965 000 01340	TERMINAL,CINCH 2P AU(BL) FRONT SHIELDED		YT02021540
RK43		4822 051 30473	CHIP,47kΩ ±5% 1/16W	NN05473610	JA03				
RK44		4822 051 30684	CHIP,680kΩ ±5% 1/16W	NN05684610	}	9965 000 12658	OPT.CONNECTOR,JFJ400		YJ15000200
RK46		4822 051 30472	CHIP,4.7kΩ ±5% 1/16W	NN05472610	JA06				
RK47		4822 051 30103	CHIP,10kΩ ±5% 1/16W	NN05103610	LD01				
RK48		4822 051 30103	CHIP,10kΩ ±5% 1/16W	NN05103610	}	4822 242 73843	EMI FILTER,DSS306-91-F-223Z		FM12223010
RK49		4822 051 30332	CHIP,3.3kΩ ±5% 1/16W	NN05332610	LD04				
RK50		4822 051 30332	CHIP,3.3kΩ ±5% 1/16W	NN05332610	LK70	9965 000 01576	RELAY,MR82-24USR		LY20240480
RK51		4822 051 30103	CHIP,10kΩ ±5% 1/16W	NN05103610	LK71	9965 000 01576	RELAY,MR82-24USR		LY20240480
RK58		4822 051 30471	CHIP,470Ω ±5% 1/16W	NN05471610					
RK70									
RK73		4822 051 30103	CHIP,10kΩ ±5% 1/16W	NN05103610					
RK74		4822 052 10681	680Ω ±5% 1/6W	GG05681160					
RK75		4822 052 10681	680Ω ±5% 1/6W	GG05681160					
RK76		4822 051 30103	CHIP,10kΩ ±5% 1/16W	NN05103610					
RK77		4822 051 30103	CHIP,10kΩ ±5% 1/16W	NN05103610					
								PF04- SCART CIRCUIT BOARD (/N ONLY)	
								PF04- CAPACITORS	
					CF81	/N	4822 122 30043	CER.0.01µF Z 50V	DK18103310
					CF82	/N	5322 124 21731	ELECT.10µF ±20% 50V RA-2	OA10605020

NOTE : *nsp* PART IS LISTED FOR REFERENCE ONLY, MARANTZ WILL NOT SUPPLY THESE PARTS.

SR9200

POS. NO	VERS. COLOR	PART NO. (FOR PCS)	DESCRIPTION	PART NO. (MJI)	POS. NO	VERS. COLOR	PART NO. (FOR PCS)	DESCRIPTION	PART NO. (MJI)
RF83	/N	4822 116 82805	PF04- RESISTORS 1Ω ±5% 1/6W	GG05010160	LF56	/S/U		RELAY,MR82-24USR	LY20240480
R***			PF04- RESISTORS(COMMON) CARBON FILM FIXED RES. ±5% 1/6W : RF81[N] RF82[N]		LF57	/S/U		RELAY,MR82-24USR	LY20240480
			PF04- SEMICONDUCTORS		LF59	/S/U		RELAY,MR82-24USR	LY20240480
DF81	/N	4822 130 32362	DIODE,1SS176,MA165,1SS254 30V 0.1A	HD20002000				PG04- ELE.VOLUME CIRCUIT BOARD PG04- CAPACITORS	
QF81	/N	4822 130 60839	TRS.2SC2458 Y OR GR	HT324582B0	CE01		4822 124 90362	ELECT.22μF ±20% 50V RA-2	OA22605020
JF81	/N	9965 000 08366	PF04- MISCELLANEOUS TERMINAL,YKF41-5040	YT02210070	CE02		4822 124 90362	ELECT.22μF ±20% 50V RA-2	OA22605020
JF82	/N	9965 000 08366	TERMINAL,YKF41-5040	YT02210070	CE03		4822 124 22571	ELECT.10μF ±20% 50V RA-2	OA10605020
LF81	/N	9965 000 01576	RELAY,MR82-24USR	LY20240480	CE04		4822 124 22571	ELECT.10μF ±20% 50V RA-2	OA10605020
			PF14- COMPONENT CIRCUIT BOARD PF14- CAPACITORS		CE05		9965 000 01344	FILM,100pF ±5% 100V APSV	OF15101540
CF61	/S/U		CER.0.01μF Z 50V	DK18103310	CE06		9965 000 01344	FILM,100pF ±5% 100V APSV	OF15101540
CF62	/S/U		ELECT.10μF ±20% 50V RA-2	OA10605020	CE07		4822 122 40617	CER.50V DC 0.1μF +80-20%	DD38104010
CF63	/S/U		ELECT.470μF ±20% 6.3V RA-2	OA47700620	CE08		4822 122 40617	CER.50V DC 0.1μF +80-20%	DD38104010
RF53	/S/U		PF14- RESISTORS 1Ω ±5% 1/6W	GG05010160	CE09		4822 124 90362	ELECT.22μF ±20% 50V RA-2	OA22605020
RF56	/S/U		1Ω ±5% 1/6W	GG05010160	CE10		4822 124 90362	ELECT.22μF ±20% 50V RA-2	OA22605020
RF59	/S/U		1Ω ±5% 1/6W	GG05010160	CE11		9965 000 02015	ELECT.22μF ±20% 25V ARS	OA22602540
RF76	/S/U		1Ω ±5% 1/6W	GG05010160	CE12		9965 000 02015	ELECT.22μF ±20% 25V ARS	OA22602540
RF77	/S/U		75Ω ±5% 1/6W	GD05750160	CE13		4822 124 22571	ELECT.10μF ±20% 50V RA-2	OA10605020
R***			PF14- RESISTORS(COMMON) CARBON FILM FIXED RES. ±5% 1/6W : RF51-RF52[S/U] RF54-RF55[S/U] RF57-RF58[S/U] RF74-RF75[S/U]		CE14		4822 124 22571	ELECT.10μF ±20% 50V RA-2	OA10605020
			PF14- SEMICONDUCTORS		CE15		9965 000 01344	FILM,100pF ±5% 100V APSV	OF15101540
DF51	/S/U		DIODE,1SS176,MA165,1SS254 30V 0.1A	HD20002000	CE16		9965 000 01344	FILM,100pF ±5% 100V APSV	OF15101540
DF52	/S/U		DIODE,1SS176,MA165,1SS254 30V 0.1A	HD20002000	CE17		4822 122 40617	CER.50V DC 0.1μF +80-20%	DD38104010
DF53	/S/U		DIODE,1SS176,MA165,1SS254 30V 0.1A	HD20002000	CE18		4822 122 40617	CER.50V DC 0.1μF +80-20%	DD38104010
DF54	/S/U		DIODE,1SS176,MA165,1SS254 30V 0.1A	HD20002000	CE19		4822 124 22698	ELECT.47μF ±20% 25V RA-2	OA47602520
QF51	/S/U		TRS.2SC2458 Y OR GR	HT324582B0	CE20		4822 124 22698	ELECT.47μF ±20% 25V RA-2	OA47602520
QF52	/S/U		TRS.2SC2458 Y OR GR	HT324582B0	CE21		9965 000 05891	FILM,APSV 471J, 470pF(TP) 100V PP	OF15471540
QF53	/S/U		TRS.2SC2458 Y OR GR	HT324582B0	CE22		9965 000 05891	FILM,APSV 471J, 470pF(TP) 100V PP	OF15471540
QF54	/S/U		TRS.2SC2458 Y OR GR	HT324582B0	CE23		4822 121 10792	FILM,APSV 221J, 220pF(TP) 100V PP	OF15221540
JF51	/S/U		PF14- MISCELLANEOUS TERMINAL,YKC21-4076 1L3 FS AU	YT02030700	CE24		4822 121 10792	FILM,APSV 221J, 220pF(TP) 100V PP	OF15221540
JF52	/S/U		TERMINAL,6P CINCH R/G/B DUAL GND 2L6P	YT02060640	CE25		9965 000 05891	FILM,APSV 471J, 470pF(TP) 100V PP	OF15471540
JF53	/S/U		TERMINAL,6P CINCH R/G/B DUAL GND 2L6P	YT02060640	CE26		9965 000 05891	FILM,APSV 471J, 470pF(TP) 100V PP	OF15471540
LF51	/S/U		RELAY,MR82-24USR	LY20240480	CE41		4822 124 22698	ELECT.47μF ±20% 25V RA-2	OA47602520
LF52	/S/U		RELAY,MR82-24USR	LY20240480	CE42		4822 122 40617	CER.50V DC 0.1μF +80-20%	DD38104010
LF53	/S/U		RELAY,MR82-24USR	LY20240480	CE43		4822 124 22698	ELECT.47μF ±20% 25V RA-2	OA47602520
LF54	/S/U		RELAY,MR82-24USR	LY20240480	CE44		4822 122 40617	CER.50V DC 0.1μF +80-20%	DD38104010
LF55	/S/U		RELAY,MR82-24USR	LY20240480	CE49		4822 124 90354	ELECT.100μF ±20% 16V RA-2	OA10701620
					CE50		4822 124 90354	ELECT.100μF ±20% 16V RA-2	OA10701620
					CE51		4822 124 90362	ELECT.22μF ±20% 50V RA-2	OA22605020
					CE52		4822 124 90362	ELECT.22μF ±20% 50V RA-2	OA22605020
					CE53		4822 124 22571	ELECT.10μF ±20% 50V RA-2	OA10605020
					CE54		4822 124 22571	ELECT.10μF ±20% 50V RA-2	OA10605020
					CE55		9965 000 01344	FILM,100pF ±5% 100V APSV	OF15101540
					CE57		4822 122 40617	CER.50V DC 0.1μF +80-20%	DD38104010
					CE58		4822 122 40617	CER.50V DC 0.1μF +80-20%	DD38104010
					CE59		4822 124 90362	ELECT.22μF ±20% 50V RA-2	OA22605020
					CE60		4822 124 90362	ELECT.22μF ±20% 50V RA-2	OA22605020
					CE61		9965 000 02015	ELECT.22μF ±20% 25V ARS	OA22602540
					CE62		4822 124 90362	ELECT.22μF ±20% 50V RA-2	OA22605020
					CE63		4822 124 22571	ELECT.10μF ±20% 50V RA-2	OA10605020
					CE64		4822 124 22698	ELECT.47μF ±20% 25V RA-2	OA47602520
					CE65		9965 000 01344	FILM,100pF ±5% 100V APSV	OF15101540
					CE67		4822 122 40617	CER.50V DC 0.1μF +80-20%	DD38104010
					CE68		4822 122 40617	CER.50V DC 0.1μF +80-20%	DD38104010

NOTE : "hsp" PART IS LISTED FOR REFERENCE ONLY, MARANTZ WILL NOT SUPPLY THESE PARTS.

SR9200

POS. NO	VERS. COLOR	PART NO. (FOR PCS)	DESCRIPTION	PART NO. (MJI)
RE03				
∫		4822 111 90895	CHIP,10kΩ ±5% 1/10W	NI05103110
RE06				
RE07				
∫		4822 111 90919	CHIP,47kΩ ±5% 1/10W	NI05473110
RE10				
RE11		4822 111 90922	CHIP,5.6kΩ ±5% 1/10W	NI05562110
RE12		4822 111 90922	CHIP,5.6kΩ ±5% 1/10W	NI05562110
RE13		4822 111 90918	CHIP,4.7kΩ ±5% 1/10W	NI05472110
RE14		4822 111 90918	CHIP,4.7kΩ ±5% 1/10W	NI05472110
RE15		4822 111 90926	CHIP,8.2kΩ ±5% 1/10W	NI05822110
RE16		4822 111 90926	CHIP,8.2kΩ ±5% 1/10W	NI05822110
RE17		4822 111 90919	CHIP,47kΩ ±5% 1/10W	NI05473110
RE18		4822 111 90919	CHIP,47kΩ ±5% 1/10W	NI05473110
RE19				
∫		4822 111 90905	CHIP,220Ω ±5% 1/10W	NI05221110
RE22				
RE23				
∫		4822 111 90918	CHIP,4.7kΩ ±5% 1/10W	NI05472110
RE26				
RE27		2322 734 63309	CHIP,33Ω ±5% 1/10W	NI05330110
RE28		2322 734 63309	CHIP,33Ω ±5% 1/10W	NI05330110
RE40		4822 111 90893	CHIP,100Ω ±5% 1/10W	NI05101110
RE41		4822 111 90897	CHIP,1MΩ ±5% 1/10W	NI05105110
RE43		4822 111 90893	CHIP,100Ω ±5% 1/10W	NI05101110
RE44		4822 111 90893	CHIP,100Ω ±5% 1/10W	NI05101110
RE45		4822 111 90895	CHIP,10kΩ ±5% 1/10W	NI05103110
RE47		4822 111 90895	CHIP,10kΩ ±5% 1/10W	NI05103110
RE48		4822 111 90895	CHIP,10kΩ ±5% 1/10W	NI05103110
RE49		4822 050 21501	150Ω ±5% 1/2W	GG05151120
RE51		4822 111 90919	CHIP,47kΩ ±5% 1/10W	NI05473110
RE52		4822 111 90919	CHIP,47kΩ ±5% 1/10W	NI05473110
RE53		4822 111 90895	CHIP,10kΩ ±5% 1/10W	NI05103110
RE54		4822 111 90911	CHIP,27kΩ ±5% 1/10W	NI05273110
RE55		4822 111 90895	CHIP,10kΩ ±5% 1/10W	NI05103110
RE56		4822 111 90895	CHIP,10kΩ ±5% 1/10W	NI05103110
RE57				
∫		4822 111 90919	CHIP,47kΩ ±5% 1/10W	NI05473110
RE60				
RE61		4822 111 90922	CHIP,5.6kΩ ±5% 1/10W	NI05562110
RE62		4822 111 91369	CHIP,1.5kΩ ±5% 1/10W	NI05152110
RE63		4822 111 90918	CHIP,4.7kΩ ±5% 1/10W	NI05472110
RE64		4822 111 90902	CHIP,1.8kΩ ±5% 1/10W	NI05182110
RE65		4822 111 90926	CHIP,8.2kΩ ±5% 1/10W	NI05822110
RE66		4822 111 90926	CHIP,8.2kΩ ±5% 1/10W	NI05822110
RE67		4822 111 90919	CHIP,47kΩ ±5% 1/10W	NI05473110
RE68		4822 111 90919	CHIP,47kΩ ±5% 1/10W	NI05473110
RE69				
∫		4822 111 90905	CHIP,220Ω ±5% 1/10W	NI05221110
RE72				
RE73				
∫		4822 111 90918	CHIP,4.7kΩ ±5% 1/10W	NI05472110
RE76				
RE77		2322 734 63309	CHIP,33Ω ±5% 1/10W	NI05330110
RE78		2322 734 63309	CHIP,33Ω ±5% 1/10W	NI05330110
RE90		4822 111 90893	CHIP,100Ω ±5% 1/10W	NI05101110
RE91		4822 111 90897	CHIP,1MΩ ±5% 1/10W	NI05105110
RE92		4822 111 90897	CHIP,1MΩ ±5% 1/10W	NI05105110
RG01		4822 111 90919	CHIP,47kΩ ±5% 1/10W	NI05473110
RG02		4822 111 90919	CHIP,47kΩ ±5% 1/10W	NI05473110
RG03				
∫		4822 111 90895	CHIP,10kΩ ±5% 1/10W	NI05103110
RG06				

POS. NO	VERS. COLOR	PART NO. (FOR PCS)	DESCRIPTION	PART NO. (MJI)
RG07				
∫		4822 111 90919	CHIP,47kΩ ±5% 1/10W	NI05473110
RG10				
RG11		4822 111 90922	CHIP,5.6kΩ ±5% 1/10W	NI05562110
RG12		4822 111 90922	CHIP,5.6kΩ ±5% 1/10W	NI05562110
RG13		4822 111 90918	CHIP,4.7kΩ ±5% 1/10W	NI05472110
RG14		4822 111 90918	CHIP,4.7kΩ ±5% 1/10W	NI05472110
RG15		4822 111 90926	CHIP,8.2kΩ ±5% 1/10W	NI05822110
RG16		4822 111 90926	CHIP,8.2kΩ ±5% 1/10W	NI05822110
RG17		4822 111 90919	CHIP,47kΩ ±5% 1/10W	NI05473110
RG18		4822 111 90919	CHIP,47kΩ ±5% 1/10W	NI05473110
RG19				
∫		4822 111 90905	CHIP,220Ω ±5% 1/10W	NI05221110
RG22				
RG23				
∫		4822 111 90918	CHIP,4.7kΩ ±5% 1/10W	NI05472110
RG26				
RG27		2322 734 63309	CHIP,33Ω ±5% 1/10W	NI05330110
RG28		2322 734 63309	CHIP,33Ω ±5% 1/10W	NI05330110
RG40		4822 111 90893	CHIP,100Ω ±5% 1/10W	NI05101110
RG41		4822 111 90897	CHIP,1MΩ ±5% 1/10W	NI05105110
RG51		4822 111 90919	CHIP,47kΩ ±5% 1/10W	NI05473110
RG52		4822 111 90919	CHIP,47kΩ ±5% 1/10W	NI05473110
RG53				
∫		4822 111 90895	CHIP,10kΩ ±5% 1/10W	NI05103110
RG56				
RG57				
∫		4822 111 90919	CHIP,47kΩ ±5% 1/10W	NI05473110
RG60				
RG61		4822 111 90922	CHIP,5.6kΩ ±5% 1/10W	NI05562110
RG62		4822 111 90922	CHIP,5.6kΩ ±5% 1/10W	NI05562110
RG63		4822 111 90918	CHIP,4.7kΩ ±5% 1/10W	NI05472110
RG64		4822 111 90918	CHIP,4.7kΩ ±5% 1/10W	NI05472110
RG65		4822 111 90926	CHIP,8.2kΩ ±5% 1/10W	NI05822110
RG66		4822 111 90926	CHIP,8.2kΩ ±5% 1/10W	NI05822110
RG67		4822 111 90919	CHIP,47kΩ ±5% 1/10W	NI05473110
RG68		4822 111 90919	CHIP,47kΩ ±5% 1/10W	NI05473110
RG69				
∫		4822 111 90905	CHIP,220Ω ±5% 1/10W	NI05221110
RG72				
RG73				
∫		4822 111 90918	CHIP,4.7kΩ ±5% 1/10W	NI05472110
RG76				
RG77		2322 734 63309	CHIP,33Ω ±5% 1/10W	NI05330110
RG78		2322 734 63309	CHIP,33Ω ±5% 1/10W	NI05330110
RG90		4822 111 90893	CHIP,100Ω ±5% 1/10W	NI05101110
RG91		4822 111 90897	CHIP,1MΩ ±5% 1/10W	NI05105110
RM01		4822 111 90919	CHIP,47kΩ ±5% 1/10W	NI05473110
RM02		4822 111 90919	CHIP,47kΩ ±5% 1/10W	NI05473110
RM03				
∫		4822 111 90895	CHIP,10kΩ ±5% 1/10W	NI05103110
RM06				
RM07				
∫		4822 111 90919	CHIP,47kΩ ±5% 1/10W	NI05473110
RM10				
RM11		4822 111 90916	CHIP,3.9kΩ ±5% 1/10W	NI05392110
RM12		4822 111 90916	CHIP,3.9kΩ ±5% 1/10W	NI05392110
RM13		4822 111 90898	CHIP,12kΩ ±5% 1/10W	NI05123110
RM14		4822 111 90898	CHIP,12kΩ ±5% 1/10W	NI05123110
RM15		4822 111 90919	CHIP,47kΩ ±5% 1/10W	NI05473110
RM16		4822 111 90919	CHIP,47kΩ ±5% 1/10W	NI05473110

NOTE : "nsp" PART IS LISTED FOR REFERENCE ONLY, MARANTZ WILL NOT SUPPLY THESE PARTS.

SR9200

POS. NO	VERS. COLOR	PART NO. (FOR PCS)	DESCRIPTION	PART NO. (MJI)	POS. NO	VERS. COLOR	PART NO. (FOR PCS)	DESCRIPTION	PART NO. (MJI)
RL70 RL71 RL72) RL84 RL85	/S/U	4822 111 90892	CHIP,0Ω ±5% 1/10W CHIP,22kΩ ±5% 1/10W	NI05000110 NI05223110				PN14- RN47 CIRCUIT BOARD PN14- RESISTORS	
		4822 111 90894	CHIP,1kΩ ±5% 1/10W	NI05102110	RN47		4822 126 90009	VARIATOR,FOR HEAT SENS. 100C BD	HP00029230
		4822 111 90892	CHIP,0Ω ±5% 1/10W	NI05000110				PN24- RN62 CIRCUIT BOARD PN24- RESISTORS	
DL01 DL05 QF01 QF02 QF03 QF04 QL01 QL02 QL03 QL04 QL05 QL06 QL07 QL08 QL09 QL10 QL11	/S/U	4822 130 33944	CHIP DIODE,DAN202K CHIP DIODE,DAP202K	HZ20002210 HZ20001210	RN62		9965 000 12666	VARIATOR,FOR FAN SENS. 80C BF	HP00042230
		9965 000 12718	IC,NJM2534M TAPING TE1	HC10223090				PN54- RN49 CIRCUIT BOARD PN54- RESISTORS	
		9965 000 03394	IC,NJM2296M TAPING	HC10210090				VARIATOR,FOR HEAT SENS. 100C BD	HP00029230
		5322 209 13551	IC,NJM2535M TAPING TE1	HC10224090	RN49		4822 126 90009	VARIATOR,FOR HEAT SENS. 100C BD	HP00029230
		5322 209 11532	IC,74HC4094 16PIN DIP	HC709449B0				PN64- RN86 CIRCUIT BOARD PN64- RESISTORS	
		9965 000 12718	IC,NJM2534M TAPING TE1	HC10223090				VARIATOR,FOR FAN SENS. 80C BF	HP00042230
		9965 000 03394	IC,NJM2296M TAPING	HC10210090	RN86		9965 000 12666	VARIATOR,FOR FAN SENS. 80C BF	HP00042230
		5322 209 13551	IC,NJM2535M TAPING TE1	HC10224090				PP04- AUX CIRCUIT BOARD PP04- CAPACITORS	
		4822 209 15524	IC,OSD LC74781	HC10377030	CP03		4822 122 40617	CER.50V DC 0.1μF +80-20%	DD38104010
		5322 209 13551	IC,NJM2535M TAPING TE1	HC10224090	CP04		4822 122 40617	CER.50V DC 0.1μF +80-20%	DD38104010
		9965 000 12719	IC,BA7622F TAPING-E2	HC10221210	CP05		4822 124 22571	ELECT.10μF ±20% 50V RA-2	OA10605020
		5322 209 11532	IC,74HC4094 16PIN DIP	HC709449B0	CP08		4822 122 40617	CER.50V DC 0.1μF +80-20%	DD38104010
		4822 130 41947	TRS.C2458,C1740S,C3199,ETC	HT30001000	CP09		4822 122 40617	CER.50V DC 0.1μF +80-20%	DD38104010
		4822 130 42715	TRS.A1048,A933S,A1267,ETC.	HT10001000	CP11		4822 124 22571	ELECT.10μF ±20% 50V RA-2	OA10605020
		4822 130 41947	TRS.C2458,C1740S,C3199,ETC	HT30001000	CP14		4822 126 11558	CER.CER.0.1μF Z 50V	DA17104110
		4822 130 61227	DIG.TRS.DTA114ES/UN4111 10K,10K	BA10001000	CP16		4822 124 90353	ELECT.100μF ±20% 10V RA-2	OA10701020
QL12 QL13		4822 130 41947	TRS.C2458,C1740S,C3199,ETC	HT30001000	CP17		4822 122 40617	CER.50V DC 0.1μF +80-20%	DD38104010
		4822 130 60588	DIG.TRS.DTC114ES/UN4211 10K,10K	BA20001000	CP18			PP04-CAPACITORS(COMMON) HIGH DIELECTRIC CONSTANT CER.CAPACITOR ±10% 50V : CP01 CP02	
QL14 QL15 QL16		4822 130 41947	TRS.C2458,C1740S,C3199,ETC	HT30001000	C***			PP04- RESISTORS	
		4822 130 41947	TRS.C2458,C1740S,C3199,ETC	HT30001000	RP11		4822 111 41355	75Ω ±5% 1/6W	GD05750160
		4822 130 60588	DIG.TRS.DTC114ES/UN4211 10K,10K	BA20001000	RP12		4822 111 41355	75Ω ±5% 1/6W	GD05750160
QL18	/N/S	4822 130 61189	DIG.TRS.DTC114TS/UN4215 10K	BA20004000	RP14		4822 111 41355	75Ω ±5% 1/6W	GD05750160
QL19	/N/S	4822 130 61189	DIG.TRS.DTC114TS/UN4215 10K	BA20004000	R***			PP04- RESISTORS(COMMON) CARBON FILM FIXED RES. ±5% 1/6W : RP01-RP06 RP16	
QL20	/N/S	4822 130 61227	DIG.TRS.DTA114ES/UN4111 10K,10K	BA10001000				PP04- SEMICONDUCTORS	
QL21		4822 209 30426	IC,CMOS 74HC00 FLAT TAPING	HC700000Z0	QP01		4822 209 83631	IC,NJM4558D-D	HC10008090
QL22		9965 000 12720	CHIP TRS.(2SC),2SC1622AD17	HX316221A0				PP04- MISCELLANEOUS	
JL01		9965 000 12767	TERMINAL,YKC21-3913 1L1 FS AU	YT02011690	JP01		9965 000 12658	OPT.CONNECTOR,JFJ400	YJ15000200
JL02		9965 000 12768	TERMINAL,YKC21-4074 2L2 FS AU	YT02021710	JP02		9965 000 01347	TERMINAL,CINCH JACK 3P + /S-TERMINAL	BY04040030
JL03		9965 000 12769	TERMINAL,YKC21-3701 1L4 FG AU	YT02041310					
JL04		9965 000 12769	TERMINAL,YKC21-3701 1L4 FG AU	YT02041310					
LL01 LL02 LL03 LL04		4822 242 73843	EMI FILTER,DSS306-91-F-223Z	FM12223010					
		4822 242 73843	EMI FILTER,DSS306-91-F-223Z	FM12223010					
		4822 242 73843	EMI FILTER,DSS306-91-F-223Z	FM12223010					
		9965 000 03404	CHIP INDUCTANCE, NL252018 33UH	LU15333010					
XL01		4822 242 80288	CRYSTAL, AT49/14.31818MHZ(TP)	JX14001260					
XL02	/N/S	4822 242 73903	CRYSTAL,AT49 17.7MHZ	JX17001260					

NOTE : *nsp* PART IS LISTED FOR REFERENCE ONLY, MARANTZ WILL NOT SUPPLY THESE PARTS.

SR9200

POS. NO	VERS. COLOR	PART NO. (FOR PCS)	DESCRIPTION	PART NO. (MJI)	POS. NO	VERS. COLOR	PART NO. (FOR PCS)	DESCRIPTION	PART NO. (MJI)
CP93		4822 122 40617	PP94- H.P. CIRCUIT BOARD PP94- CAPACITORS CER.50V DC 0.1µF +80-20%	DD38104010				CQ41 CQ42 CQ56 CQ59 CQ60 CQ61 CQ62 CQ63	
JP99		4822 265 10685	PP94- MISCELLANEOUS JACK,HLJ2307-01-3160	YJ01004240	R***			PQ04- RESISTORS(COMMON) CARBON FILM FIXED RES. ±5% 1/6W : RQ01-RQ04 RQ09-RQ12 RQ17-RQ20 RQ25-RQ28 RQ33-RQ36 RQ41-RQ44 RQ49-RQ64	
CQ01	N/S	9965 000 05891	PQ04- A-FUNCTION-V CIRCUIT BOARD PQ04- CAPACITORS FILM,APSV 471J, 470pF(TP) 100V PP	OF15471540	Q001		4822 209 16842	PQ04- SEMICONDUCTORS IC,NUJ7312L ANALOG SW.	HC10124090
CQ01	/U		FILM,100pF ±5% 100V APSV	OF15101540	Q002		4822 209 16842	IC,NUJ7312L ANALOG SW.	HC10124090
CQ02	N/S	9965 000 05891	FILM,APSV 471J, 470pF(TP) 100V PP	OF15471540	Q003		4822 209 83274	IC,NJM4560D-D	HC10021090
CQ02	/U		FILM,100pF ±5% 100V APSV	OF15101540	JQ01		9965 000 07097	PQ04- MISCELLANEOUS TERMINAL,14X14 RA 2L6 WH+RE AU F-GROUND	YT02060670
CQ07	N/S	9965 000 05891	FILM,APSV 471J, 470pF(TP) 100V PP	OF15471540	JQ02		9965 000 07097	TERMINAL,14X14 RA 2L6 WH+RE AU F-GROUND	YT02060670
CQ07	/U		FILM,100pF ±5% 100V APSV	OF15101540	JQ03		4822 267 31823	TERMINAL,14X14 RA 2L4 WH+RE AU F-FROUND	YT02041280
CQ08	N/S	9965 000 05891	FILM,APSV 471J, 470pF(TP) 100V PP	OF15471540				PS04- AUDIO FUNCTION CIRCUIT BOARD PS04- CAPACITORS	
CQ08	/U		FILM,100pF ±5% 100V APSV	OF15101540	CS07	N/S	9965 000 05891	FILM,APSV 471J, 470pF(TP) 100V PP	OF15471540
CQ13	N/S	9965 000 05891	FILM,APSV 471J,4 70pF(TP) 100V PP	OF15471540	CS07	/U		FILM,100pF ±5% 100V APSV	OF15101540
CQ13	/U		FILM,100pF ±5% 100V APSV	OF15101540	CS08	N/S	9965 000 05891	FILM,APSV 471J, 470pF(TP) 100V PP	OF15471540
CQ14	N/S	9965 000 05891	FILM,APSV 471J, 470pF(TP) 100V PP	OF15471540	CS08	/U		FILM,100pF ±5% 100V APSV	OF15101540
CQ14	/U		FILM,100pF ±5% 100V APSV	OF15101540	CS13	N/S	9965 000 05891	FILM,APSV 471J, 470pF(TP) 100V PP	OF15471540
CQ19	N/S	9965 000 05891	FILM,APSV 471J, 470pF(TP) 100V PP	OF15471540	CS13	/U		FILM,100pF ±5% 100V APSV	OF15101540
CQ19	/U		FILM,100pF ±5% 100V APSV	OF15101540	CS14	N/S	9965 000 05891	FILM,APSV 471J, 470pF(TP) 100V PP	OF15471540
CQ20	N/S	9965 000 05891	FILM,APSV 471J, 470pF(TP) 100V PP	OF15471540	CS14	/U		FILM,100pF ±5% 100V APSV	OF15101540
CQ20	/U		FILM,100pF ±5% 100V APSV	OF15101540	CS19	N/S	9965 000 05891	FILM,APSV 471J, 470pF(TP) 100V PP	OF15471540
CQ25	N/S	9965 000 05891	FILM,APSV 471J, 470pF(TP) 100V PP	OF15471540	CS19	/U		FILM,100pF ±5% 100V APSV	OF15101540
CQ25	/U		FILM,100pF ±5% 100V APSV	OF15101540	CS20	N/S	9965 000 05891	FILM,APSV 471J, 470pF(TP) 100V PP	OF15471540
CQ26	N/S	9965 000 05891	FILM,APSV 471J, 470pF(TP) 100V PP	OF15471540	CS20	/U		FILM,100pF ±5% 100V APSV	OF15101540
CQ26	/U		FILM,100pF ±5% 100V APSV	OF15101540	CS27		4822 124 22571	ELECT.10µF ±20% 50V RA-2	OA10605020
CQ31	N/S	9965 000 05891	FILM,APSV 471J, 470pF(TP) 100V PP	OF15471540	CS28		4822 124 22571	ELECT.10µF ±20% 50V RA-2	OA10605020
CQ32	N/S	9965 000 05891	FILM,APSV 471J, 470pF(TP) 100V PP	OF15471540	CS31		4822 124 22571	ELECT.10µF ±20% 50V RA-2	OA10605020
CQ39		4822 124 22571	ELECT.10µF ±20% 50V RA-2	OA10605020	CS32		4822 124 22571	ELECT.10µF ±20% 50V RA-2	OA10605020
CQ40		4822 124 22571	ELECT.10µF ±20% 50V RA-2	OA10605020	CS35		4822 122 40617	CER.50V DC 0.1µF +80-20%	DD38104010
CQ43		4822 124 22571	ELECT.10µF ±20% 50V RA-2	OA10605020	CS36		4822 122 40617	CER.50V DC 0.1µF +80-20%	DD38104010
CQ44		4822 124 22571	ELECT.10µF ±20% 50V RA-2	OA10605020	CS37				
CQ48		4822 122 40617	CER.50V DC 0.1µF +80-20%	DD38104010			4822 124 22571	ELECT.10µF ±20% 50V RA-2	OA10605020
CQ49		4822 122 40617	CER.50V DC 0.1µF +80-20%	DD38104010	CS40				
CQ50					CS41				
∫		4822 124 22571	ELECT.10µF ±20% 50V RA-2	OA10605020	CS41				
CQ53					∫		4822 122 40617	CER.50V DC 0.1µF +80-20%	DD38104010
CQ54					CS45				
∫		4822 122 40617	CER.50V DC 0.1µF +80-20%	DD38104010	CS51		4822 124 90354	ELECT.100µF ±20% 16V RA-2	OA10701620
CQ58					CS52		4822 124 90354	ELECT.100µF ±20% 16V RA-2	OA10701620
CQ64		4822 124 90354	ELECT.100µF ±20% 16V RA-2	OA10701620				PS04-CAPACITORS(COMMON) HIGH DIELECTRIC CONSTANT CER.CAPACITOR ±10% 50V : CS25 CS26 CS29 CS30 CS43 CS46-CS50	
CQ65		4822 124 90354	ELECT.100µF ±20% 16V RA-2	OA10701620	C***				
CS80	N/S	9965 000 05891	FILM,APSV 471J, 470pF(TP) 100V PP	OF15471540					
C***			PQ04-CAPACITORS(COMMON) HIGH DIELECTRIC CONSTANT CER.CAPACITOR ±10% 50V : CQ31[U] CQ32[U] CQ37 CQ38						

NOTE : *nsp* PART IS LISTED FOR REFERENCE ONLY, MARANTZ WILL NOT SUPPLY THESE PARTS.

SR9200

POS. NO	VERS. COLOR	PART NO. (FOR PCS)	DESCRIPTION	PART NO. (MJI)	POS. NO	VERS. COLOR	PART NO. (FOR PCS)	DESCRIPTION	PART NO. (MJI)
			PS04- RESISTORS						
RS09		4822 111 90893	CHIP,100Ω ±5% 1/10W	NI05101110	CQ78		4822 124 22571	ELECT.10μF ±20% 50V RA-2	OA10605020
RS10		4822 111 90893	CHIP,100Ω ±5% 1/10W	NI05101110	CQ79	/N/S	9965 000 05891	FILM,APSV 471J, 470pF(TP) 100V PP	OF15471540
RS11		4822 111 90912	CHIP,270kΩ ±5% 1/10W	NI05274110	CQ79	/U		FILM,100pF ±5% 100V APSV	OF15101540
RS12		4822 111 90912	CHIP,270kΩ ±5% 1/10W	NI05274110	CQ81		4822 124 22571	ELECT.10μF ±20% 50V RA-2	OA10605020
RS13		4822 111 90892	CHIP,0Ω ±5% 1/10W	NI05000110	CQ82		4822 124 22571	ELECT.10μF ±20% 50V RA-2	OA10605020
RS14		4822 111 90892	CHIP,0Ω ±5% 1/10W	NI05000110	CQ83		4822 122 40617	CER.50V DC 0.1μF +80-20%	DD38104010
RS17		4822 111 90893	CHIP,100Ω ±5% 1/10W	NI05101110	CQ84		4822 122 40617	CER.50V DC 0.1μF +80-20%	DD38104010
RS18		4822 111 90893	CHIP,100Ω ±5% 1/10W	NI05101110	CQ85		4822 124 22571	ELECT.10μF ±20% 50V RA-2	OA10605020
RS19		4822 111 90912	CHIP,270kΩ ±5% 1/10W	NI05274110	CQ86		4822 124 22571	ELECT.10μF ±20% 50V RA-2	OA10605020
RS20		4822 111 90912	CHIP,270kΩ ±5% 1/10W	NI05274110	CQ87		4822 122 40617	CER.50V DC 0.1μF +80-20%	DD38104010
RS21		4822 111 90892	CHIP,0Ω ±5% 1/10W	NI05000110	CS71	/N/S	9965 000 05891	FILM,APSV 471J, 470pF(TP) 100V PP	OF15471540
RS22		4822 111 90892	CHIP,0Ω ±5% 1/10W	NI05000110	CS71	/U		FILM,100pF ±5% 100V APSV	OF15101540
RS25		4822 111 90893	CHIP,100Ω ±5% 1/10W	NI05101110	CS72	/N/S	9965 000 05891	FILM,APSV 471J, 470pF(TP) 100V PP	OF15471540
RS26		4822 111 90893	CHIP,100Ω ±5% 1/10W	NI05101110	CS72	/U	9965 000 01344	FILM,100pF ±5% 100V APSV	OF15101540
RS27		4822 111 90912	CHIP,270kΩ ±5% 1/10W	NI05274110	CS73		4822 124 22571	ELECT.10μF ±20% 50V RA-2	OA10605020
RS28		4822 111 90912	CHIP,270kΩ ±5% 1/10W	NI05274110	CS74		4822 124 22571	ELECT.10μF ±20% 50V RA-2	OA10605020
RS29		4822 111 90892	CHIP,0Ω ±5% 1/10W	NI05000110	CS75		4822 122 40617	CER.50V DC 0.1μF +80-20%	DD38104010
RS30		4822 111 90892	CHIP,0Ω ±5% 1/10W	NI05000110	CS76		4822 122 40617	CER.50V DC 0.1μF +80-20%	DD38104010
RS33		4822 111 90894	CHIP,1kΩ ±5% 1/10W	NI05102110	CS77		4822 124 22571	ELECT.10μF ±20% 50V RA-2	OA10605020
RS34		4822 111 90894	CHIP,1kΩ ±5% 1/10W	NI05102110	CS78		4822 124 22571	ELECT.10μF ±20% 50V RA-2	OA10605020
RS35		4822 111 90919	CHIP,47kΩ ±5% 1/10W	NI05473110	CS79	/N/S	9965 000 05891	FILM,APSV 471J, 470pF(TP) 100V PP	OF15471540
RS36		4822 111 90919	CHIP,47kΩ ±5% 1/10W	NI05473110	CS79	/U		FILM,100pF ±5% 100V APSV	OF15101540
RS37		4822 111 90894	CHIP,1kΩ ±5% 1/10W	NI05102110	CS80	/U		FILM,100pF ±5% 100V APSV	OF15101540
RS38		4822 111 90894	CHIP,1kΩ ±5% 1/10W	NI05102110	CS81		4822 124 22571	ELECT.10μF ±20% 50V RA-2	OA10605020
RS39		4822 111 90919	CHIP,47kΩ ±5% 1/10W	NI05473110	CS82		4822 124 22571	ELECT.10μF ±20% 50V RA-2	OA10605020
RS40		4822 111 90919	CHIP,47kΩ ±5% 1/10W	NI05473110	CS83		4822 122 40617	CER.50V DC 0.1μF +80-20%	DD38104010
RS41		4822 111 90912	CHIP,270kΩ ±5% 1/10W	NI05274110	CS84		4822 122 40617	CER.50V DC 0.1μF +80-20%	DD38104010
RS42		4822 111 90912	CHIP,270kΩ ±5% 1/10W	NI05274110	CS85		4822 124 22571	ELECT.10μF ±20% 50V RA-2	OA10605020
RS43		4822 111 90919	CHIP,47kΩ ±5% 1/10W	NI05473110	CS86		4822 124 22571	ELECT.10μF ±20% 50V RA-2	OA10605020
RS44		4822 111 90919	CHIP,47kΩ ±5% 1/10W	NI05473110	CS87		4822 122 40617	CER.50V DC 0.1μF +80-20%	DD38104010
RS46		4822 111 90892	CHIP,0Ω ±5% 1/10W	NI05000110	CS88		4822 122 40617	CER.50V DC 0.1μF +80-20%	DD38104010
RS49		4822 111 90893	CHIP,100Ω ±5% 1/10W	NI05101110	CS89		4822 122 40617	CER.50V DC 0.1μF +80-20%	DD38104010
RS51		4822 111 90892	CHIP,0Ω ±5% 1/10W	NI05000110	CS95		4822 124 90354	ELECT.100μF ±20% 16V RA-2	OA10701620
RS54		4822 111 90893	CHIP,100Ω ±5% 1/10W	NI05101110	CS96		4822 124 90354	ELECT.100μF ±20% 16V RA-2	OA10701620
RS55		4822 111 90893	CHIP,100Ω ±5% 1/10W	NI05101110					
RS56		4822 111 90893	CHIP,100Ω ±5% 1/10W	NI05101110					
			PS04- SEMICONDUCTORS					PS54-CAPACITORS(COMMON)	
QS01		4822 209 16843	IC,NJU7313L ANALOG SW.	HC10125090	C***			HIGH DIELECTRIC CONSTANT	
QS02		4822 209 16843	IC,NJU7313L ANALOG SW.	HC10125090				CER.CAPACITOR ±10% 50V :	
QS03		4822 209 83357	IC,NJM4560M	HC10029090				CQ80 CS90-CS94	
			PS04- MISCELLANEOUS					PS54- RESISTORS(COMMON)	
JS01		4822 267 31823	TERMINAL,14X14 RA 2L4 WH+RE AU F-FROUND	YT02041280	R***			CARBON FILM FIXED RES.	
JS02		9965 000 07097	TERMINAL,14X14 RA 2L6 WH+RE AU F-GROUND	YT02060670				±5% 1/6W : RQ71-RQ74 RQ77-RQ86 RS71-RS74 RS77-RS82 RS85-RS89	
			PS54- MULTI CH INPUT CIRCUIT BOARD					PS54- SEMICONDUCTORS	
			PS54- CAPACITORS						
CQ71	/N/S	9965 000 05891	FILM,APSV 471J, 470pF(TP) 100V PP	OF15471540	QQ71		4822 209 73064	IC,NJM-2068-DD	HC10053090
CQ71	/U		FILM,100pF ±5% 100V APSV	OF15101540	QQ72		4822 209 73064	IC,NJM-2068-DD	HC10053090
CQ72	/N/S	9965 000 05891	FILM,APSV 471J, 470pF(TP) 100V PP	OF15471540	QS70		4822 209 16149	IC,NJU7311L ANALOG SW.	HC10123090
CQ72	/U		FILM,100pF ±5% 100V APSV	OF15101540	QS71		4822 209 73064	IC,NJM-2068-DD	HC10053090
CQ73		4822 124 22571	ELECT.10μF ±20% 50V RA-2	OA10605020	QS72		4822 209 73064	IC,NJM-2068-DD	HC10053090
CQ74		4822 124 22571	ELECT.10μF ±20% 50V RA-2	OA10605020	JS70		9965 000 12766	TERMINAL,YKC21-3601 2L4P FG BK AU	YT02041330
CQ75		4822 122 40617	CER.50V DC 0.1μF +80-20%	DD38104010	JS71		9965 000 12766	TERMINAL,YKC21-3601 2L4P FG BK AU	YT02041330
CQ76		4822 122 40617	CER.50V DC 0.1μF +80-20%	DD38104010					
CQ77		4822 124 22571	ELECT.10μF ±20% 50V RA-2	OA10605020					

NOTE : *nsp* PART IS LISTED FOR REFERENCE ONLY, MARANTZ WILL NOT SUPPLY THESE PARTS.

SR9200

POS. NO	VERS. COLOR	PART NO. (FOR PCS)	DESCRIPTION	PART NO. (MJI)
▲ F853	/U		FUSE,T2A 250V TR5 NO.19374	FS20200210
▲ F854	/N/S	4822 071 52002	FUSE,T2.0A 250V TR5	FS20200200
▲ F854	/U		FUSE,T2A 250V TR5 NO.19374	FS20200210
L901	/N/S	4822 242 73843	EMI FILTER,DSS306-91-F-223Z	FM12223010
L911	/N/S	4822 242 73843	EMI FILTER,DSS306-91-F-223Z	FM12223010
LT05		4822 242 73843	EMI FILTER,DSS306-91-F-223Z	FM12223010
LT06		4822 242 73843	EMI FILTER,DSS306-91-F-223Z	FM12223010
X901	/N/S	4822 242 10857	CRYSTAL,4.332MHZ,AT-49	JX04003260

NOTE : "nsp" PART IS LISTED FOR REFERENCE ONLY, MARANTZ WILL NOT SUPPLY THESE PARTS.

SR8200

POS. NO	VERS. COLOR	PART NO. (FOR PCS)	DESCRIPTION	PART NO. (MJI)	POS. NO	VERS. COLOR	PART NO. (FOR PCS)	DESCRIPTION	PART NO. (MJI)
			P114- POWER AMP FL FR SBL CIRCUIT BOARD		▲ R132		4822 111 91422	COMPO.0.1Ω ±10% 5WX2RGC-55 TYPE	BW10000050
C101		4822 124 22571	ELECT.10μF ±20% 50V RA-2	OA10605020	R142		4822 052 10109	10Ω ±5% 1/4W	GG05100140
C103		4822 124 90355	ELECT.100μF ±20% 50V RA-2	OA10705020	R143		4822 052 10109	10Ω ±5% 1/4W	GG05100140
C105		4822 124 22571	ELECT.10μF ±20% 50V RA-2	OA10605020	R149		4822 052 10109	10Ω ±5% 1/4W	GG05100140
C106		4822 124 23068	ELECT.220μF ±20% 63V RA-2	OA22706320	R206		4822 052 10331	330Ω ±5% 1/4W	GG05331140
C107		4822 124 23068	ELECT.220μF ±20% 63V RA-2	OA22706320	∫				
C111		4822 122 32185	CER.10pF D CH 50V BLK	DD11100300	R209				
C112			CER.47pF ±5% SL 500V	DD15470560	R213		4822 052 10471	470Ω ±5% 1/6W	GG05471160
C113			CER.47pF ±5% SL 500V	DD15470560	R214		4822 052 10471	470Ω ±5% 1/6W	GG05471160
C148		4822 124 41535	ELECT.100μF ±20% 25V RA-2	OA10702520	R217		4822 052 10151	150Ω ±5% 1/6W	GG05151160
C149		4822 124 41535	ELECT.100μF ±20% 25V RA-2	OA10702520	R218		4822 052 10151	150Ω ±5% 1/6W	GG05151160
C201		4822 124 22571	ELECT.10μF ±20% 50V RA-2	OA10605020	R223		4822 100 11452	TRIM.VAR.470 VERTICAL	RA04710760
C203		4822 124 90355	ELECT.100μF ±20% 50V RA-2	OA10705020	R224		4822 052 10101	100Ω ±5% 1/6W	GG05101160
C205		4822 124 22571	ELECT.10μF ±20% 50V RA-2	OA10605020	R225		4822 052 10101	100Ω ±5% 1/6W	GG05101160
C206		4822 124 23068	ELECT.220μF ±20% 63V RA-2	OA22706320	R226		4822 050 21022	1kΩ ±5% 1/4W	GG05102140
C207		4822 124 23068	ELECT.220μF ±20% 63V RA-2	OA22706320	R227		4822 052 10479	47Ω ±5% 1/4W	GG05470140
C211		4822 122 32185	CER.10pF D CH 50V BLK	DD11100300	R228		4822 052 10479	47Ω ±5% 1/4W	GG05470140
C212			CER.47pF ±5% SL 500V	DD15470560	R229		4822 052 10109	10Ω ±5% 1/4W	GG05100140
C213			CER.47pF ±5% SL 500V	DD15470560	R230		4822 052 10109	10Ω ±5% 1/4W	GG05100140
C301		4822 124 22571	ELECT.10μF ±20% 50V RA-2	OA10605020	R231		4822 116 83929	220Ω ±5% 1/4W	GG05221140
C303		4822 124 90355	ELECT.100μF ±20% 50V RA-2	OA10705020	▲ R232		4822 111 91422	COMPO.0.1Ω ±10% 5WX2RGC-55 TYPE	BW10000050
C305		4822 124 22571	ELECT.10μF ±20% 50V RA-2	OA10605020	R242		4822 052 10109	10Ω ±5% 1/4W	GG05100140
C306		4822 124 23068	ELECT.220μF ±20% 63V RA-2	OA22706320	R243		4822 052 10109	10Ω ±5% 1/4W	GG05100140
C307		4822 124 23068	ELECT.220μF ±20% 63V RA-2	OA22706320	R306		4822 052 10331	330Ω ±5% 1/4W	GG05331140
C311		4822 122 32185	CER.10pF D CH 50V BLK	DD11100300	∫				
C312			CER.47pF ±5% SL 500V	DD15470560	R309				
C313			CER.47pF ±5% SL 500V	DD15470560	R313		4822 052 10471	470Ω ±5% 1/6W	GG05471160
C348		4822 124 41535	ELECT.100μF ±20% 25V RA-2	OA10702520	R314		4822 052 10471	470Ω ±5% 1/6W	GG05471160
C349		4822 124 41535	ELECT.100μF ±20% 25V RA-2	OA10702520	R317		4822 052 10151	150Ω ±5% 1/6W	GG05151160
CN14		4822 124 22571	ELECT.10μF ±20% 50V RA-2	OA10605020	R318		4822 052 10151	150Ω ±5% 1/6W	GG05151160
CN18		4822 124 41543	ELECT.1μF ±20% 50V RA-2	OA10505020	R323		4822 100 11452	TRIM.VAR.470 VERTICAL	RA04710760
CN66		4822 124 41543	ELECT.1μF ±20% 50V RA-2	OA10505020	R324		4822 052 10101	100Ω ±5% 1/6W	GG05101160
			P114-CAPACITORS(COMMON)		R325		4822 052 10101	100Ω ±5% 1/6W	GG05101160
***			PLASTIC FILM CAPACITOR ±5% 50V : C104 C108 C154 C204 C208 C254 C308 C304 C354		R326		4822 050 21022	1kΩ ±5% 1/4W	GG05102140
			HIGH DIELECTRIC CONSTANT CER.CAPACITOR ±10% 50V : C102 C152 C202 C252 C302 C352		R327		4822 052 10479	47Ω ±5% 1/4W	GG05470140
			P114- RESISTORS		R328		4822 052 10479	47Ω ±5% 1/4W	GG05470140
R106		4822 052 10331	330Ω ±5% 1/4W	GG05331140	▲ R332		4822 111 91422	COMPO.0.1Ω ±10% 5WX2RGC-55 TYPE	BW10000050
∫							R342		4822 052 10109
R109		4822 052 10471	470Ω ±5% 1/6W	GG05471160	R343		4822 052 10109	10Ω ±5% 1/4W	GG05100140
R113		4822 052 10471	470Ω ±5% 1/6W	GG05471160					
R114		4822 052 10471	470Ω ±5% 1/6W	GG05471160	***			P114- RESISTORS(COMMON)	
R117		4822 052 10151	150Ω ±5% 1/6W	GG05151160				CARBON FILM FIXED RES. ±5% 1/6W : R101 R102 R104 R105 R110-R112 R115 R116 R119 R120-R122 R133-R137 R139 R201 R202 R204 R205 R210-R212 R215 R216 R219-R222 R233-R237 R239 R301 R302 R304 R305 R310-R312 R315 R316 R319-R322 R333-R337 R339 R542-R544 RN40 RN41	
R118		4822 052 10151	150Ω ±5% 1/6W	GG05151160	D101		4822 130 32362	DIODE,1SS176,MA165,1SS254 30V 0.1A	HD20002000
R123		4822 100 11452	TRIM.VAR.470 VERTICAL	RA04710760	∫				
R124		4822 052 10101	100Ω ±5% 1/6W	GG05101160	D104				
R125		4822 052 10101	100Ω ±5% 1/6W	GG05101160	D105		4822 130 80273	ZENER,8.2V EQUIVALENT	HD30821000
R126		4822 050 21022	1kΩ ±5% 1/4W	GG05102140					
R127		4822 052 10479	47Ω ±5% 1/4W	GG05470140					
R128		4822 052 10479	47Ω ±5% 1/4W	GG05470140					
R129		4822 052 10109	10Ω ±5% 1/4W	GG05100140					
R130		4822 052 10109	10Ω ±5% 1/4W	GG05100140					
R131		4822 116 83929	220Ω ±5% 1/4W	GG05221140					

NOTE : *nsp* PART IS LISTED FOR REFERENCE ONLY, MARANTZ WILL NOT SUPPLY THESE PARTS.

SR8200

POS. NO	VERS. COLOR	PART NO. (FOR PCS)	DESCRIPTION	PART NO. (MJI)
D106		4822 130 80273	ZENER,8.2V EQUIVALENT	HD30821000
D107		4822 130 80837	DIODE,HSS81TD 150V 150MA AXIAL TAPG.	HD20027010
D108		4822 130 80837	DIODE,HSS81TD 150V 150MA AXIAL TAPG.	HD20027010
D109		4822 130 31554	ZENER,4.3V EQUIVALENT	HD30431000
D201		4822 130 32362	DIODE,1SS176,MA165,1SS254 30V 0.1A	HD20002000
D204				
D205		4822 130 80273	ZENER,8.2V EQUIVALENT	HD30821000
D206		4822 130 80273	ZENER,8.2V EQUIVALENT	HD30821000
D207		4822 130 80837	DIODE,HSS81TD 150V 150MA AXIAL TAPG.	HD20027010
D208		4822 130 80837	DIODE,HSS81TD 150V 150MA AXIAL TAPG.	HD20027010
D209		4822 130 31554	ZENER,4.3V EQUIVALENT	HD30431000
D301		4822 130 32362	DIODE,1SS176,MA165,1SS254 30V 0.1A	HD20002000
D304				
D305		4822 130 80273	ZENER,8.2V EQUIVALENT	HD30821000
D306		4822 130 80273	ZENER,8.2V EQUIVALENT	HD30821000
D307		4822 130 80837	DIODE,HSS81TD 150V 150MA AXIAL TAPG.	HD20027010
D308		4822 130 80837	DIODE,HSS81TD 150V 150MA AXIAL TAPG.	HD20027010
D309		4822 130 31554	ZENER,4.3V EQUIVALENT	HD30431000
Q101		4822 209 73064	IC,NJM-2068-DD	HC10053090
Q103		4822 130 60107	TRS.2SA1048 Y OR GR	HT110482B0
Q104		4822 130 60839	TRS.2SC2458 Y OR GR	HT324582B0
Q105		4822 130 43233	TRS.2SC2240 GR OR BL	HT322402A0
Q106		4822 130 42949	TRS.2SA970 (GR) OR (BL)	HT109702A0
Q107		4822 130 42949	TRS.2SA970 (GR) OR (BL)	HT109702A0
Q108		4822 130 43233	TRS.2SC2240 GR OR BL	HT322402A0
Q109		4822 130 42999	TRS.2SA1145 O OR Y TAPING	HT111452A0
Q110		4822 130 43283	TRS.2SC2705 O OR Y TAPING	HT327052A0
Q111		4822 130 60117	TRS.C3419 Y 40V 0.8A PC=1.2W (5W)	HT334191Y0
Q112		4822 130 63312	TRS.2SC4883 O OR Y	HT348832A0
Q113		4822 130 63308	TRS.2SA1859 O OR Y	HT118592A0
▲ Q114		4822 130 60354	TRS.C3421 OY 120V 1A PC1.5W(10W)	HT334212A0
▲ Q115		4822 130 60353	TRS.A1358 OY 120V 1A PC1.5W(10W)	HT113582A0
▲ Q116		4822 130 10962	TRS.C3856 OPY 15A 130W LF119	HT338563A0
▲ Q117		4822 130 10963	TRS.A1492 OPY 15A 130W LF119	HT114923A0
Q118		4822 130 43233	TRS.2SC2240 GR OR BL	HT322402A0
Q203		4822 130 60107	TRS.2SA1048 Y OR GR	HT110482B0
Q204		4822 130 60839	TRS.2SC2458 Y OR GR	HT324582B0
Q205		4822 130 43233	TRS.2SC2240 GR OR BL	HT322402A0
Q206		4822 130 42949	TRS.2SA970 (GR) OR (BL)	HT109702A0
Q207		4822 130 42949	TRS.2SA970 (GR) OR (BL)	HT109702A0
Q208		4822 130 43233	TRS.2SC2240 GR OR BL	HT322402A0
Q209		4822 130 42999	TRS.2SA1145 O OR Y TAPING	HT111452A0
Q210		4822 130 43283	TRS.2SC2705 O OR Y TAPING	HT327052A0
Q211		4822 130 60117	TRS.C3419 Y 40V 0.8A PC=1.2W (5W)	HT334191Y0
Q212		4822 130 63312	TRS.2SC4883 O OR Y	HT348832A0
Q213		4822 130 63308	TRS.2SA1859 O OR Y	HT118592A0
▲ Q214		4822 130 60354	TRS.C3421 OY 120V 1A PC1.5W(10W)	HT334212A0
▲ Q215		4822 130 60353	TRS.A1358 OY 120V 1A PC1.5W(10W)	HT113582A0

POS. NO	VERS. COLOR	PART NO. (FOR PCS)	DESCRIPTION	PART NO. (MJI)
▲ Q216		4822 130 10962	TRS.C3856 OPY 15A 130W LF119	HT338563A0
▲ Q217		4822 130 10963	TRS.A1492 OPY 15A 130W LF119	HT114923A0
Q218		4822 130 43233	TRS.2SC2240 GR OR BL	HT322402A0
Q301		4822 209 73064	IC,NJM-2068-DD	HC10053090
Q303		4822 130 60107	TRS.2SA1048 Y OR GR	HT110482B0
Q304		4822 130 60839	TRS.2SC2458 Y OR GR	HT324582B0
Q305		4822 130 43233	TRS.2SC2240 GR OR BL	HT322402A0
Q306		4822 130 42949	TRS.2SA970 (GR) OR (BL)	HT109702A0
Q307		4822 130 42949	TRS.2SA970 (GR) OR (BL)	HT109702A0
Q308		4822 130 43233	TRS.2SC2240 GR OR BL	HT322402A0
Q309		4822 130 42999	TRS.2SA1145 O OR Y TAPING	HT111452A0
Q310		4822 130 43283	TRS.2SC2705 O OR Y TAPING	HT327052A0
Q311		4822 130 60117	TRS.C3419 Y 40V 0.8A PC=1.2W (5W)	HT334191Y0
Q312		4822 130 63312	TRS.2SC4883 O OR Y	HT348832A0
Q313		4822 130 63308	TRS.2SA1859 O OR Y	HT118592A0
▲ Q314		4822 130 60354	TRS.C3421 OY 120V 1A PC1.5W(10W)	HT334212A0
▲ Q315		4822 130 60353	TRS.A1358 OY 120V 1A PC1.5W(10W)	HT113582A0
▲ Q316		4822 130 10962	TRS.C3856 OPY 15A 130W LF119	HT338563A0
▲ Q317		4822 130 10963	TRS.A1492 OPY 15A 130W LF119	HT114923A0
Q318		4822 130 43233	TRS.2SC2240 GR OR BL	HT322402A0
QN08		4822 130 42949	TRS.2SA970 (GR) OR (BL)	HT109702A0
			P114- MISCELLANEOUS	
K101		4822 130 60795	TRS.KIT,A1358,C3421 O OR A1358,C3421 Y	HK135819C0
K102		4822 130 10964	TRS.KIT,2SA1492/2SC3856 OPY LF119	HK149219A0
K103		4822 130 10965	TRS.KIT,2SA1859/C4883 O/O OR Y/Y PAIR	HK185919C0
K201		4822 130 60795	TRS.KIT,A1358,C3421 O OR A1358,C3421 Y	HK135819C0
K202		4822 130 10964	TRS.KIT,2SA1492/2SC3856 OPY LF119	HK149219A0
K203		4822 130 10965	TRS.KIT,2SA1859/C4883 O/O OR Y/Y PAIR	HK185919C0
K301		4822 130 60795	TRS.KIT,A1358,C3421 O OR A1358,C3421 Y	HK135819C0
K302		4822 130 10964	TRS.KIT,2SA1492/2SC3856 OPY LF119	HK149219A0
K303		4822 130 10965	TRS.KIT,2SA1859/C4883 O/O OR Y/Y PAIR	HK185919C0
			P124- SPKOUTS	
			FRONT SURRBACK HEAD	
			CIRCUIT BOARD	
			P124- CAPACITORS	
CN10		4822 126 10364	CER.100pF UP050B101K-A	DA16101110
CN11		4822 126 10364	CER.100pF UP050B101K-A	DA16101110
CN12		4822 126 10364	CER.100pF UP050B101K-A	DA16101110
CN93	N/S	4822 122 40617	CER.50V DC 0.1μF +80-20%	DD38104010
CN95	N/S	4822 122 40617	CER.50V DC 0.1μF +80-20%	DD38104010
CN96	N/S	4822 122 40617	CER.50V DC 0.1μF +80-20%	DD38104010
○***			P124-CAPACITORS(COMMON) PLASTIC FILM CAPACITOR ±5% 50V : C109 C110 C209 C210 C309 C310	

NOTE : *nsp* PART IS LISTED FOR REFERENCE ONLY, MARANTZ WILL NOT SUPPLY THESE PARTS.

SR8200

POS. NO	VERS. COLOR	PART NO. (FOR PCS)	DESCRIPTION	PART NO. (MJI)	POS. NO	VERS. COLOR	PART NO. (FOR PCS)	DESCRIPTION	PART NO. (MJI)
R281		4822 116 83929	220Ω ±5% 1/4W	GG05221140	D258		4822 130 80837	DIODE,HSS81TD 150V 150MA	HD20027010
▲ R282		4822 111 91422	COMPO.0.1Ω ±10% 5WX2RGC-55 TYPE	BW10000050				AXIAL TAPG.	
R292		4822 052 10109	10Ω ±5% 1/4W	GG05100140	D259		4822 130 31554	ZENER,4.3V EQUIVALENT	HD30431000
R293		4822 052 10109	10Ω ±5% 1/4W	GG05100140	D351				
R356					}		4822 130 32362	DIODE,1SS176,MA165,1SS254	HD20002000
}		4822 052 10331	330Ω ±5% 1/4W	GG05331140			30V 0.1A		
R359					D354				
R363		4822 052 10471	470Ω ±5% 1/6W	GG05471160	D355		4822 130 80273	ZENER,8.2V EQUIVALENT	HD30821000
R364		4822 052 10471	470Ω ±5% 1/6W	GG05471160	D356		4822 130 80273	ZENER,8.2V EQUIVALENT	HD30821000
R367		4822 052 10151	150Ω ±5% 1/6W	GG05151160	D357		4822 130 80837	DIODE,HSS81TD 150V 150MA	HD20027010
R368		4822 052 10151	150Ω ±5% 1/6W	GG05151160				AXIAL TAPG.	
R373		4822 100 11452	TRIM.VAR.470 VERTICAL	RA04710760	D358		4822 130 80837	DIODE,HSS81TD 150V 150MA	HD20027010
R374		4822 052 10101	100Ω ±5% 1/6W	GG05101160				AXIAL TAPG.	
R375		4822 052 10101	100Ω ±5% 1/6W	GG05101160	D359		4822 130 31554	ZENER,4.3V EQUIVALENT	HD30431000
R376		4822 050 21022	1kΩ ±5% 1/4W	GG05102140	D511				
R377		4822 052 10479	47Ω ±5% 1/4W	GG05470140	}		4822 130 32362	DIODE,1SS176,MA165,1SS254	HD20002000
R378		4822 052 10479	47Ω ±5% 1/4W	GG05470140	D517			30V 0.1A	
R379		4822 052 10109	10Ω ±5% 1/4W	GG05100140	DN61		4822 130 80273	ZENER,8.2V EQUIVALENT	HD30821000
R380		4822 052 10109	10Ω ±5% 1/4W	GG05100140	DN62		4822 130 10667	ZENER,4.7V EQUIVALENT	HD30471000
R381		4822 116 83929	220Ω ±5% 1/4W	GG05221140	Q151		4822 209 73064	IC,NJM-2068-DD	HC10053090
▲ R382		4822 111 91422	COMPO.0.1Ω ±10% 5WX2RGC-55 TYPE	BW10000050	Q153		4822 130 60107	TRS.2SA1048 Y OR GR	HT110482B0
R392		4822 052 10109	10Ω ±5% 1/4W	GG05100140	Q154		4822 130 60839	TRS.2SC2458 Y OR GR	HT324582B0
R393		4822 052 10109	10Ω ±5% 1/4W	GG05100140	Q155		4822 130 43233	TRS.2SC2240 GR OR BL	HT322402A0
RN83		4822 050 24708	4.7Ω ±5% 1/2W	GG05047120	Q156		4822 130 42949	TRS.2SA970 (GR) OR (BL)	HT109702A0
					Q157		4822 130 42949	TRS.2SA970 (GR) OR (BL)	HT109702A0
					Q158		4822 130 43233	TRS.2SC2240 GR OR BL	HT322402A0
					Q159		4822 130 42999	TRS.2SA1145 O OR Y TAPING	HT111452A0
					Q160		4822 130 43283	TRS.2SC2705 O OR Y TAPING	HT327052A0
					Q161		4822 130 60117	TRS.C3419 Y 40V 0.8A	HT334191Y0
							PC=1.2W (5W)		
					Q162		4822 130 63312	TRS.2SC4883 O OR Y	HT348832A0
					Q163		4822 130 63308	TRS.2SA1859 O OR Y	HT118592A0
					▲ Q164		4822 130 60354	TRS.C3421 OY 120V 1A	HT334212A0
							PC1.5W(10W)		
					▲ Q165		4822 130 60353	TRS.A1358 OY 120V 1A	HT113582A0
							PC1.5W(10W)		
					▲ Q166		4822 130 10962	TRS.C3856 OPY 15A 130W	HT338563A0
							LF119		
					▲ Q167		4822 130 10963	TRS.A1492 OPY 15A 130W	HT114923A0
							LF119		
					Q168		4822 130 43233	TRS.2SC2240 GR OR BL	HT322402A0
					Q253		4822 130 60107	TRS.2SA1048 Y OR GR	HT110482B0
					Q254		4822 130 60839	TRS.2SC2458 Y OR GR	HT324582B0
					Q255		4822 130 43233	TRS.2SC2240 GR OR BL	HT322402A0
					Q256		4822 130 42949	TRS.2SA970 (GR) OR (BL)	HT109702A0
					Q257		4822 130 42949	TRS.2SA970 (GR) OR (BL)	HT109702A0
					Q258		4822 130 43233	TRS.2SC2240 GR OR BL	HT322402A0
					Q259		4822 130 42999	TRS.2SA1145 O OR Y TAPING	HT111452A0
					Q260		4822 130 43283	TRS.2SC2705 O OR Y TAPING	HT327052A0
					Q261		4822 130 60117	TRS.C3419 Y 40V 0.8A	HT334191Y0
							PC=1.2W (5W)		
					Q262		4822 130 63312	TRS.2SC4883 O OR Y	HT348832A0
					Q263		4822 130 63308	TRS.2SA1859 O OR Y	HT118592A0
					▲ Q264		4822 130 60354	TRS.C3421 OY 120V 1A	HT334212A0
							PC1.5W(10W)		
					▲ Q265		4822 130 60353	TRS.A1358 OY 120V 1A	HT113582A0
							PC1.5W(10W)		
					▲ Q266		4822 130 10962	TRS.C3856 OPY 15A 130W	HT338563A0
							LF119		
					▲ Q267		4822 130 10963	TRS.A1492 OPY 15A 130W	HT114923A0
							LF119		
					Q268		4822 130 43233	TRS.2SC2240 GR OR BL	HT322402A0
					Q351		4822 209 73064	IC,NJM-2068-DD	HC10053090
					Q353		4822 130 60107	TRS.2SA1048 Y OR GR	HT110482B0

NOTE : *hsp* PART IS LISTED FOR REFERENCE ONLY, MARANTZ WILL NOT SUPPLY THESE PARTS.

SR8200

POS. NO	VERS. COLOR	PART NO. (FOR PCS)	DESCRIPTION	PART NO. (MJI)	POS. NO	VERS. COLOR	PART NO. (FOR PCS)	DESCRIPTION	PART NO. (MJI)
Q354		4822 130 60839	TRS.2SC2458 Y OR GR	HT324582B0				P164-CAPACITORS(COMMON) PLASTIC FILM CAPACITOR ±5% 50V : C159 C160 C259 C260 C359 C360	
Q355		4822 130 43233	TRS.2SC2240 GR OR BL	HT322402A0					
Q356		4822 130 42949	TRS.2SA970 (GR) OR (BL)	HT109702A0				HIGH DIELECTRIC CONSTANT CER.CAPACITOR ±10% 50V : C140[/N/S] C169[/N/S] C240[/N/S] C269[/N/S] C369[/N/S]	
Q357		4822 130 42949	TRS.2SA970 (GR) OR (BL)	HT109702A0					
Q358		4822 130 43233	TRS.2SC2240 GR OR BL	HT322402A0				P164- RESISTORS 10Ω ±5% 1W 10Ω ±5% 1W 10Ω ±5% 1W 220Ω ±5% 1/4W 220Ω ±5% 1/4W 220Ω ±5% 1/4W	
Q359		4822 130 42999	TRS.2SA1145 O OR Y TAPING	HT111452A0					
Q360		4822 130 43283	TRS.2SC2705 O OR Y TAPING	HT327052A0				P164- RESISTORS(COMMON) CARBON FILM FIXED RES. ±5% 1/6W : RN33 RN34	
Q361		4822 130 60117	TRS.C3419 Y 40V 0.8A PC=1.2W (5W)	HT334191Y0					
Q362		4822 130 63312	TRS.2SC4883 O OR Y	HT348832A0				P164- SEMICONDUCTORS DIODE,1D3 1A/200V DIODE,1D3 1A/200V DIODE,1D3 1A/200V TRS.2SC2458 Y OR GR	
Q363		4822 130 63308	TRS.2SA1859 O OR Y	HT118592A0					
▲ Q364		4822 130 60354	TRS.C3421 OY 120V 1A PC1.5W(10W)	HT334212A0	R188		4822 053 10109	10Ω ±5% 1W	GA05100010
▲ Q365		4822 130 60353	TRS.A1358 OY 120V 1A PC1.5W(10W)	HT113582A0	R288		4822 053 10109	10Ω ±5% 1W	GA05100010
▲ Q366		4822 130 10962	TRS.C3856 OPY 15A 130W LF119	HT338563A0	R388		4822 053 10109	10Ω ±5% 1W	GA05100010
▲ Q367		4822 130 10963	TRS.A1492 OPY 15A 130W LF119	HT114923A0	RN36		4822 116 83929	220Ω ±5% 1/4W	GG05221140
Q368		4822 130 43233	TRS.2SC2240 GR OR BL	HT322402A0	RN38		4822 116 83929	220Ω ±5% 1/4W	GG05221140
Q501		4822 209 83637	IC,NJM2901 QUAD COMPARATOR	HC10009090	RN39		4822 116 83929	220Ω ±5% 1/4W	GG05221140
Q502		4822 209 83637	IC,NJM2901 QUAD COMPARATOR	HC10009090				P164- MISCELLANEOUS TERMINAL,SPKROUT CENTER SL SR	
QN01		4822 209 83312	IC,TA7317P	HC10042050	DN06		4822 130 82421		DIODE,1D3 1A/200V
QN02		4822 130 60839	TRS.2SC2458 Y OR GR	HT324582B0	DN08		4822 130 82421	DIODE,1D3 1A/200V	HD20002710
QN03		4822 130 60839	TRS.2SC2458 Y OR GR	HT324582B0	DN09		4822 130 82421	DIODE,1D3 1A/200V	HD20002710
QN09		4822 130 42949	TRS.2SA970 (GR) OR (BL)	HT109702A0	QN07		4822 130 60839	TRS.2SC2458 Y OR GR	HT324582B0
QN11		4822 130 60588	DIG.TRDTC114ES/UN4211 10K,10K	BA20001000				P164- MISCELLANEOUS TERMINAL,SPKROUT CENTER SL SR	
QN61		4822 209 83637	IC,NJM2901 QUAD COMPARATOR	HC10009090	J199		9965 000 12663		TERMINAL,SPKROUT CENTER SL SR
QN62		4822 130 60588	DIG.TRDTC114ES/UN4211 10K,10K	BA20001000	J299		9965 000 12664	TERMINAL,SPKROUT ML MR	YT01040880
QN63		4822 130 60588	DIG.TRDTC114ES/UN4211 10K,10K	BA20001000	▲ LN02		4822 280 70354	RELAY,VB 24MBU-510 5A/240VAC	LY20240310
QN64		4822 130 60117	TRS.C3419 Y 40V 0.8A PC=1.2W (5W)	HT334191Y0	▲ LN04		4822 280 70354	RELAY,VB 24MBU-510 5A/240VAC	LY20240310
K151		4822 130 60795	TRS.KIT,A1358,C3421 O OR A1358,C3421 Y	HK135819C0	▲ LN05		4822 280 70354	RELAY,VB 24MBU-510 5A/240VAC	LY20240310
K152		4822 130 10964	TRS.KIT,2SA1492/2SC3856 OPY LF119	HK149219A0				P604- DSP AND μ-COM CIRCUIT BOARD P604- CAPACITORS	
K153		4822 130 10965	TRS.KIT,2SA1859/C4883 O/O OR Y/Y PAIR	HK185919C0	C610		4822 126 11687		CER.CHIP,0.1μF GRM39F104Z16
K251		4822 130 60795	TRS.KIT,A1358,C3421 O OR A1358,C3421 Y	HK135819C0	C611		4822 124 41539	ELECT.47μF ±20% 16V RA-2	OA47601620
K252		4822 130 10964	TRS.KIT,2SA1492/2SC3856 OPY LF119	HK149219A0	C612		4822 126 11687	CER.CHIP,0.1μF GRM39F104Z16	DK98104200
K253		4822 130 10965	TRS.KIT,2SA1859/C4883 O/O OR Y/Y PAIR	HK185919C0	C613		4822 124 41539	ELECT.47μF ±20% 16V RA-2	OA47601620
K351		4822 130 60795	TRS.KIT,A1358,C3421 O OR A1358,C3421 Y	HK135819C0	C614		4822 126 11687	CER.CHIP,0.1μF GRM39F104Z16	DK98104200
K352		4822 130 10964	TRS.KIT,2SA1492/2SC3856 OPY LF119	HK149219A0	C615		4822 124 41539	ELECT.47μF ±20% 16V RA-2	OA47601620
K353		4822 130 10965	TRS.KIT,2SA1859/C4883 O/O OR Y/Y PAIR	HK185919C0	C616		4822 126 11568	CER.CHIP,470pF (GR39)	DK96471300
CN13		4822 126 10364	CER.100pF UP050B101 K-A	DA16101110	C617		4822 126 11703	CER.CHIP,0.01μF	DK98103300
CN98	N/S	4822 122 40617	CER.50V DC 0.1μF +80-20%	DD38104010	C618		4822 124 90357	ELECT.2.2μF ±20% 50V RA-2	OA22505020
CN99	N/S	4822 122 40617	CER.50V DC 0.1μF +80-20%	DD38104010	C619		4822 126 11687	CER.CHIP,0.1μF GRM39F104Z16	DK98104200
			P164- SPKOUTS SURR CENTER MULTI CIRCUIT BOARD		C620		4822 124 41539	ELECT.47μF ±20% 16V RA-2	OA47601620
			P164- CAPACITORS		C621		4822 126 11687	CER.CHIP,0.1μF GRM39F104Z16	DK98104200
					C622		4822 126 11687	CER.CHIP,0.1μF GRM39F104Z16	DK98104200
					C640		4822 126 11687	CER.CHIP,0.1μF GRM39F104Z16	DK98104200
					C641		4822 124 41539	ELECT.47μF ±20% 16V RA-2	OA47601620
					C642		4822 126 11687	CER.CHIP,0.1μF GRM39F104Z16	DK98104200
					C643		4822 124 41539	ELECT.47μF ±20% 16V RA-2	OA47601620
					C644		4822 126 11687	CER.CHIP,0.1μF GRM39F104Z16	DK98104200
					C645		4822 124 41539	ELECT.47μF ±20% 16V RA-2	OA47601620
					C646		4822 126 11568	CER.CHIP,470pF (GR39)	DK96471300
					C647		4822 126 11703	CER.CHIP,0.01μF	DK98103300
					C648		4822 124 90357	ELECT.2.2μF ±20% 50V RA-2	OA22505020

NOTE : *nsp* PART IS LISTED FOR REFERENCE ONLY, MARANTZ WILL NOT SUPPLY THESE PARTS.

SR8200

POS. NO	VERS. COLOR	PART NO. (FOR PCS)	DESCRIPTION	PART NO. (MJI)	POS. NO	VERS. COLOR	PART NO. (FOR PCS)	DESCRIPTION	PART NO. (MJI)
Q640		9965 000 12653	IC,CS493292 AUDIO DSP CRYSTAL	HC10009880				P604- MISCELLANEOUS	
Q641		9965 000 04635	IC,TC74VHCT245AFT	HC009805K0	JR30		4822 265 10328	TERMINAL, 14X14 RA 1L1P BLK NI FLM-GND	YT02010780
Q671		9965 000 12654	IC,4M FLASH FPT-48P-M19	HC60021000	JR31		9965 000 12657	OPT.CONNECTOR, JFJ300 OPT OUTPUT	YJ15000210
Q673		9965 000 12655	IC,TC74VHCT244AFT	HC009705K0					
Q674		9965 000 04636	IC,TC74VHC574FT	HC009605K0	JU50		9965 000 12342	JACK,DELCL-J9PAF-20L9	YJ90001220
Q675		9965 000 04636	IC,TC74VHC574FT	HC009605K0	JU61		4822 267 41009	TERMINAL,2P CINCH PINJACK	YT02020890
Q676		9965 000 04635	IC,TC74VHCT245AFT	HC009805K0	JU62		9965 000 12343	TERMINAL,CINCH PIN JACK GRN-GRN	YT02021740
Q680		9965 000 11670	IC,TC74VHCT541AFT	HC008805K0					
Q681		9965 000 04639	IC,TC74VHC08FT TAPING	HC008205K0	JU80		9965 000 12344	JACK,3.5MM MINI JACK LGA6502-0150	YJ01004750
Q682		9965 000 12656	IC,TC74VHC32FT	HC009505K0					
Q683		9965 000 04632	IC,TC74VHC00FS	HC005105K0	JU82		9965 000 03411	JACK,3.5 MINI JACK LGY6501-0600	YJ01004670
Q684		9965 000 12656	IC,TC74VHC32FT	HC009505K0					
Q685		9965 000 12646	IC,TC74VHC125FT	HC009405K0	L691		4822 242 73843	EMI FILTER,DSS306-91-F-223Z	FM12223010
QR44		9965 000 04639	IC,TC74VHC08FT TAPING	HC008205K0	LR30		4822 142 60422	PULSE TRANSF (TPS247MN-0386AN)	TP41042030
QR50		9965 000 06294	IC,LC89055 (SPDIF RECORDER)	HC10405030	LU01				
QR70		9965 000 11670	IC,TC74VHCT541AFT	HC008805K0	}		9965 000 05005	FERRITE CORE, BK1608HM102-T BEADS	FC90020120
QU01		9965 000 12345	IC,H8S/2633 FP-128	HC60022010	LU54				
QU02		9965 000 11677	IC,PST600D-2 RESET IC TAPING	HC10098550	LU71				
QU03		4822 111 92183	DIG.TR.S.RN2303 (PNPX1(22K+22K))	BA10013050	}		9965 000 05005	FERRITE CORE,BK1608HM102-T BEADS	FC90020120
QU05		4822 130 61553	DIG.TR.S.DTC124EU,RN1303 UMT TYPE	BA21303000	LU80				
QU20		9965 000 04632	IC,TC74VHC00FS	HC005105K0	LU81				
QU21		9965 000 12646	IC,TC74VHC125FT	HC009405K0	}		4822 242 73843	EMI FILTER,DSS306-91-F-223Z	FM12223010
▲ QU41		9965 000 01771	IC,PQ30RV11	HC36930320	LU86				
QU42		4822 130 61553	DIG.TR.S.DTC124EU,RN1303 UMT TYPE	BA21303000	LU87		9965 000 05005	FERRITE CORE, BK1608HM102-T BEADS	FC90020120
QU43		9965 000 09110	TRS.2SA950 (GR,R)	HT109501A0	SU02		9965 000 12347	PUSH SW.(SPUJ191000) W/KNOB	SP02022320
QU50		9965 000 12346	IC,HIN202ECB 16LEAD WIDE BODY	HC10204990	XR50		4822 242 10851	CRYSTAL, 12.288MHZ (AT-49)	JX12013260
QU60		4822 130 61553	DIG.TR.S.DTC124EU,RN1303 UMT TYPE	BA21303000	XU01		9965 000 12348	SERAMIC VIB.CSTLS 5.0MHZ	FQ05004050
QU61		4822 111 92183	DIG.TR.S.RN2303 (PNPX1(22K+22K))	BA10013050				P814- BACKUP TRANSF, AC OUTLET CIRCUIT BOARD	
QU62		4822 130 61553	DIG.TR.S.DTC124EU,RN1303 UMT TYPE	BA21303000				P814- CAPACITORS	
QU63		4822 111 92183	DIG.TR.S.RN2303 (PNPX1(22K+22K))	BA10013050	▲ C802		9965 000 06706	CER.DE1607-1F 103M-KH	DK17103910
QU65		4822 111 92183	DIG.TR.S.RN2303 (PNPX1(22K+22K))	BA10013050	C805		4822 124 90351	ELECT.0.1µF ±20% 50V RA-2	OA10405020
QU66		4822 130 61553	DIG.TR.S.DTC124EU,RN1303 UMT TYPE	BA21303000	C811		4822 124 23649	ELECT.470µF 25V ±20% RA-2	OA47702520
QU67		4822 111 92183	DIG.TR.S.RN2303 (PNPX1(22K+22K))	BA10013050	C812		4822 124 22698	ELECT.47µF ±20% 25V RA-2	OA47602520
QU68		4822 111 92183	DIG.TR.S.RN2303 (PNPX1(22K+22K))	BA10013050	C813		4822 124 80582	ELECT.4700µF 16V RA2	OA47801620
▲ QU69		4822 130 90347	PHOTO CUPLER,PC-817 1PAIR	HW10006320	C814		4822 122 40617	CER.50V DC 0.1µF +80-20%	DD38104010
QU70		9965 000 12647	IC,ATMEL AT24C08 8PIN SOIC	HC10191990	C815		4822 122 40617	CER.50V DC 0.1µF +80-20%	DD38104010
QU71		5322 209 11578	IC,PCF8574(I/O EXPANDER)	HC10068490	C816		4822 122 40617	CER.50V DC 0.1µF +80-20%	DD38104010
QU80		4822 130 42949	TRS.2SA970 (GR) OR (BL)	HT109702A0	C817		4822 124 90354	ELECT.100µF ±20% 16V RA-2	OA10701620
QU81		4822 130 61553	DIG.TR.S.DTC124EU,RN1303 UMT TYPE	BA21303000				P814- RESISTORS	
QU82		4822 111 92183	DIG.TR.S.RN2303 (PNPX1(22K+22K))	BA10013050	R807		4822 117 10158	1Ω ±5% 1/4W	GG05010140
QU83		4822 130 42949	TRS.2SA970 (GR) OR (BL)	HT109702A0	R811		4822 052 10471	470Ω ±5% 1/6W	GG05471160
QU84		4822 130 61553	DIG.TR.S.DTC124EU,RN1303 UMT TYPE	BA21303000	▲ R899	/U		2.2MΩ ±10% 1/2W FOR UL	RC10225820
QU85		4822 111 92183	DIG.TR.S.RN2303 (PNPX1(22K+22K))	BA10013050	R***			P814- RESISTORS(COMMON)	
QU86		4822 130 61553	DIG.TR.S.DTC124EU,RN1303 UMT TYPE	BA21303000				CARBON FILM FIXED RES. ±5% 1/6W : R805 R806 R812 R813	
					D802		4822 130 82421	DIODE,1D3 1A/200V	HD20002710
					D804		4822 130 32362	DIODE,1SS176,MA165,1SS254 30V 0.1A	HD20002000
					▲ D811				
					▲ }		4822 130 82421	DIODE,1D3 1A/200V	HD20002710
					▲ D816				

NOTE : *nsp* PART IS LISTED FOR REFERENCE ONLY, MARANTZ WILL NOT SUPPLY THESE PARTS.

SR8200

POS. NO	VERS. COLOR	PART NO. (FOR PCS)	DESCRIPTION	PART NO. (MJ)	POS. NO	VERS. COLOR	PART NO. (FOR PCS)	DESCRIPTION	PART NO. (MJ)
D817 Q802 Q803		4822 130 80317 4822 130 60107 4822 130 60588	ZENER,5.1V EQUIVALENT TRS.2SA1048 Y OR GR DIG.TRS.DTC114ES/UN4211 10K,10K	HD30511000 HT110482B0 BA20001000	C***			HIGH DIELECTRIC CONSTANT CER.CAPACITOR ±10% 50V : C513	
▲ Q811 Q812		4822 209 61847 9965 000 11677	IC,NJM78M05FA IC,PST600D-2 RESET IC TAPING	HC38505090 HC10098550				P834- RESISTORS 330Ω ±5% 1/4W 330Ω ±5% 1/4W 100Ω ±5% 1/4W 100Ω ±5% 1/4W 1Ω ±5% 1/2W 1Ω ±5% 1/4W 100Ω ±5% 1/6W 1Ω ±5% 1/4W	GG05331140 GG05331140 GG05101140 GG05101140 GG05101140 GG05010120 GG05010140 GG05101160 GG05010140
▲ F801 ▲ F801 ▲ F801	/N /S /U	4822 070 35002	FUSE,5A 250V BS LI STED FUSE,5A 250V BS LI STED FUSE,10A 250V GGL10, GBM10 /U/C/D	FS10500850 FS10500850 FS11000530				P834- RESISTORS(COMMON) CARBON FILM FIXED RES. ±5% 1/6W : R536 R537 R551-R563 RN25 RN26 RN46	
▲ J801 ▲ J801	/N /U	4822 267 31194	JACK,AC SOKET YKE31-0090 JACK,2P AC OUTLET (CCT1304-0212)	YJ04001640 YJ04002040				R***	
J806			TERMINAL,M1698 PWB GND TERMINAL WITH M3	YL01010140					
▲ L801 ▲ L811	/N/S	4822 280 80773 9965 000 12339	RELAY,VS24MB-NR TV-8 POWER TRANSF.BACKUP AC230V	LY10240240 TS13521080				P834- SEMICONDUCTORS DIODE,1SS176,MA165,1SS254 30V 0.1A DIODE,1D3 1A/200V DIODE,1D3 1A/200V	HD20002000 HD20002710 HD20002710
▲ L811	/U		POWER TRANSF.BACKUP AC120V	TS13521070	D501		4822 130 32362		HD20002000
			P824- POWER SW (EXEPT /U) CIRCUIT BOARD P824- CAPACITORS		D502 D503		4822 130 82421 4822 130 82421		HD20002710 HD20002710
▲ C801	/N/S	9965 000 06706	CER.DE1307-1E 472M-KH	DK17472910	▲ D831 ▲ } ▲ D838 D839 D840 ▲ D841		4822 130 82421 4822 130 82421 4822 130 81729 4822 130 80318 9965 000 01578	DIODE,1D3 1A/200V DIODE,1D3 1A/200V ZENER,MTZJ33D ZENER,6.8V EQUIVALENT DIODE,600V 25A BRIDGE-DI D25XB60	HD20002710 HD20002710 HD33301000 HD30681000 HE20029290
S801	/N/S	9965 000 11695	P824- MISCELLANEOUS PUSH SW.AC POWER ESB92S17B	SP01013800	▲ DN01 ▲ DN02 DN03 DN04 Q503 Q504 Q505		4822 130 82421 4822 130 82421 4822 130 82609 4822 130 82609 4822 130 60839 4822 130 60839 4822 130 60588	DIODE,1D3 1A/200V DIODE,1D3 1A/200V ZENER,MTZJ2.0B ZENER,MTZJ2.0B TRS.2SC2458 Y OR GR TRS.2SC2458 Y OR GR DIG.TRS.DTC114ES/UN4211 10K, 10K	HD20002710 HD20002710 HD30201000 HD30201000 HT324582B0 HT324582B0 BA20001000
C511 C514 C831 C832 C833 }		4822 126 10364 4822 124 23056 4822 124 23918 4822 124 41542	CER.100pF UP050B101K-A ELECT.47µF/16V ELECT.ELNA RA2 16X25 ELECT.470µF ±20% 50V RA-2	DA16101110 EJ47601610 OA10805020 OA47705020	Q506 Q507		4822 130 60839 4822 130 60839	TRS.2SC2458 Y OR GR TRS.2SC2458 Y OR GR	HT324582B0 HT324582B0
C836 C837 C838 C839 C840 C841		4822 122 40617 4822 124 41535 4822 124 41535 4822 124 90355 4822 122 40617 4822 122 40617	CER.50V DC 0.1µF +80-20% ELECT.100µF ±20% 25V RA-2 ELECT.100µF ±20% 25V RA-2 ELECT.100µF ±20% 50V RA-2 CER.50V DC 0.1µF +80-20% CER.50V DC 0.1µF +80-20%	DD38104010 OA10702520 OA10702520 OA10705020 DD38104010 DD38104010	Q508 ▲ Q831 ▲ Q832		4822 130 60107 4822 209 80675 4822 209 83829	TRS.2SA1048 Y OR GR IC,NJM78M18FA IC,18V 500MA REG. NJM79M18FA JRC IC,NJM78M18FA	HT110482B0 HC38518090 HC39518090 HC38518090
C842 ▲ C843 C846 C847 C848		9965 000 12713 9965 000 12713 4822 122 40617 4822 124 41535 4822 122 40617	ELECT.35XL80 VNSD ELECT.35XL80 VNSD CER.50V DC 0.1µF +80-20% ELECT.100µF ±20% 25V RA-2 CER.50V DC 0.1µF +80-20%	OB27906330 OB27906330 DD38104010 OA10702520 DD38104010	▲ Q833		4822 209 80675	RELAY,VS24STB 16A AVSS RELAY,VS24STB 16A AVSS	LY10240300 LY10240300
▲ C842 ▲ C843 C846 C847 C848		9965 000 12713 9965 000 12713 4822 122 40617 4822 124 41535 4822 122 40617	ELECT.35XL80 VNSD ELECT.35XL80 VNSD CER.50V DC 0.1µF +80-20% ELECT.100µF ±20% 25V RA-2 CER.50V DC 0.1µF +80-20%	OB27906330 OB27906330 DD38104010 OA10702520 DD38104010			9965 000 12665 9965 000 12665		
▲ CN07 CN08 CN09		4822 124 90366 4822 126 10364 4822 126 10364	ELECT.220µF ±20% 50V RA-2 CER.100pF UP050B101K-A CER.100pF UP050B101K-A	OA22705020 DA16101110 DA16101110	▲ L501 ▲ L502			P844- AC INLET CIRCUIT BOARD P844- MISCELLANEOUS JACK,2P AC INLET PWI1910-H	YJ04002440
C***			P834-CAPACITORS(COMMON) PLASTIC FILM CAPACITOR ±5% 50V : C512		▲ J810		9965 000 01313		
					CC01 }		4822 122 40617	CER.50V DC 0.1µF +80-20%	DD38104010
					CC05 CC07 CC08			CER.390pF CER.100pF UP050B101K-A	DA16391110 DA16101110

NOTE : *nsp* PART IS LISTED FOR REFERENCE ONLY, MARANTZ WILL NOT SUPPLY THESE PARTS.

SR8200

POS. NO	VERS. COLOR	PART NO. (FOR PCS)	DESCRIPTION	PART NO. (MJI)	POS. NO	VERS. COLOR	PART NO. (FOR PCS)	DESCRIPTION	PART NO. (MJI)
CC09		4822 126 11558	CER.0.1µF Z 50V	DA17104110	QC11		9965 000 11677	IC,PST600D-2 RESET IC TAPING	HC10098550
CC10		4822 126 11558	CER.0.1µF Z 50V	DA17104110					
CC11		4822 126 11558	CER.0.1µF Z 50V	DA17104110					
CC12		4822 122 40617	CER.50V DC 0.1µF +80-20%	DD38104010					
CC13		4822 126 11558	CER.0.1µF Z 50V	DA17104110	SC01				
CC16		4822 122 40617	CER.50V DC 0.1µF +80-20%	DD38104010	}	9965 000 00373	PUSH SW. EVQ11L05R H/5MM,160GF	SP01013370	
CC17		4822 122 30103	CER.0.022µF Z 50V	DK18223310	SC26				
CC18		4822 124 21901	ELECT,47µF/6.3V	EJ47600610	SC27	9965 000 01349	ROTARY ENCODER, EC16B 16PLS 16CLICK	SR02010080	
CC21		4822 122 40617	CER.50V DC 0.1µF +80-20%	DD38104010	VC01	9965 000 12661	DISPLAY UNIT,16-BT-92GNK	HQ31601410	
CC22		4822 122 40617	CER.50V DC 0.1µF +80-20%	DD38104010					
CC30		4822 124 80665	ELECT,10µF/50V	EJ10605010					
CC31		4822 126 11558	CER.0.1µF Z 50V	DA17104110					
CC32		4822 126 11558	CER.0.1µF Z 50V	DA17104110					
CC33		4822 126 11558	CER.0.1µF Z 50V	DA17104110					
CC34		4822 124 21894	ELECT,10µF/16V	EJ10601610	SC60	/U			
CC35		4822 122 40617	CER.50V DC 0.1µF +80-20%	DD38104010					
CC36		4822 126 10935	ELECT,100µF/6.3V	EJ10700610					
CC38		4822 122 40617	CER.50V DC 0.1µF +80-20%	DD38104010					
CC40		4822 122 40586	CER.10000pF	DA17103110					
CC41		4822 122 40586	CER.10000pF	DA17103110					
CC43		4822 126 10935	ELECT,100µF/6.3V	EJ10700610	SC70	9965 000 00373	PUSH SW. EVQ11L05R H/5MM,160GF	SP01013370	
CC44		4822 122 40617	CER.50V DC 0.1µF +80-20%	DD38104010	SC71	9965 000 00373	PUSH SW. EVQ11L05R H/5MM,160GF	SP01013370	
C***			PC04-CAPACITORS(COMMON) PLASTIC FILM CAPACITOR ±5% 50V : CC20						
RC08			PC04- RESISTORS COMPO.RKC13BS473J ±5% P1.8	BW05473230					
RC09			COMPO.RKC13BS473J ±5% P1.8	BW05473230	CC80	4822 122 40617	CER.50V DC 0.1µF +80-20%	DD38104010	
RC10			COMPO.RKC13BS103J ±5% P1.8	BW05103330	CC81	4822 122 40586	CER.10000pF	DA17103110	
RC11			COMPO.RKC13BS473J ±5% P1.8	BW05473230	CC82	4822 122 40586	CER.10000pF	DA17103110	
R***			PC04- RESISTORS(COMMON) CARBON FILM FIXED RES. ±5% 1/6W : RC01-RC04 RC06 RC12 RC13 RC16[/U] RC17-RC21 RC24-RC50 RC52		R***				
DC01		4822 130 82159	PC04- SEMICONDUCTORS L.E.D.GL3ED8 SHARP	HI10099320					
DC02		9965 000 12659	L.E.D.SLR-932AV-8K A RANK 5MM P2.5	HI20006030					
DC05					SC80	9965 000 00373	PUSH SW. EVQ11L05R H/5MM,160GF	SP01013370	
DC06		4822 130 32362	DIODE,1SS176,MA165,1SS254 30V 0.1A	HD20002000	SC81	9965 000 00373	PUSH SW. EVQ11L05R H/5MM,160GF	SP01013370	
QC01		9965 000 12660	IC,NJM3430FG1	HC10220090	SC82	9965 000 01348	ROTALY ENCODER, 36PULSE EC16B	SR02010070	
QC02		4822 130 41947	TRS.C2458,C1740S,C3199,ETC	HT30001000					
QC03		4822 130 41947	TRS.C2458,C1740S,C3199,ETC	HT30001000	CA01	4822 126 13837	CER.CHIP,0.1µF ±10% B 10V	DK96104200	
QC04		4822 218 12029	PHOTO UNIT,IR SENSOR TSOP 1136 TB1	HW10002620	CA02	4822 126 13837	CER.CHIP,0.1µF ±10% B 10V	DK96104200	
QC05		4822 130 61227	DIG.TRS.DTA114ES/UN4111 10K,10K	BA10001000	CA03	4822 126 13837	CER.CHIP,0.1µF ±10% B 10V	DK96104200	
QC06		4822 130 61227	DIG.TRS.DTA114ES/UN4111 10K,10K	BA10001000	CA06	4822 126 11687	CER.CHIP,0.1µF GRM39F104Z16	DK98104200	
QC07		4822 130 61227	DIG.TRS.DTA114ES/UN4111 10K,10K	BA10001000	CA07	4822 126 11687	CER.CHIP,0.1µF GRM39F104Z16	DK98104200	
QC08		4822 130 41947	TRS.C2458,C1740S,C3199,ETC	HT30001000	CA08	4822 126 11687	CER.CHIP,0.1µF GRM39F104Z16	DK98104200	
QC09		4822 130 42292	TRS.2SC2120 O	HT321201A0	CA10	4822 124 22698	ELECT.47µF ±20% 25V RA-2	OA47602520	
QC10		4822 130 42292	TRS.2SC2120 O	HT321201A0	CA12	4822 124 22698	ELECT.47µF ±20% 25V RA-2	OA47602520	
					CA14				
					}	4822 126 11687	CER.CHIP,0.1µF GRM39F104Z16	DK98104200	
					CA20				
					CD01				
					}	4822 124 22571	ELECT.10µF ±20% 50V RA-2	OA10605020	
					CD04				

NOTE : "hsp" PART IS LISTED FOR REFERENCE ONLY, MARANTZ WILL NOT SUPPLY THESE PARTS.

SR8200

POS. NO	VERS. COLOR	PART NO. (FOR PCS)	DESCRIPTION	PART NO. (MJ)	POS. NO	VERS. COLOR	PART NO. (FOR PCS)	DESCRIPTION	PART NO. (MJ)
CD05					CH37				
CD12		4822 126 11687	CER.CHIP,0.1μF GRM39F104Z16	DK98104200	CH37		9965 000 05891	FILM,APSV 471J,470pF(TP) 100V PP	OF15471540
CD13					CH40				
CD16		9965 000 01567	ELECT.100μF 10V ARA	OA10701050	CH41		4822 121 10792	FILM,APSV 221J,220pF(TP) 100V PP	OF15221540
CD17					CH42		4822 121 10792	FILM,APSV 221J,220pF(TP) 100V PP	OF15221540
CD20		4822 126 11687	CER.CHIP,0.1μF GRM39F104Z16	DK98104200	CH43		4822 122 33777	CER.CHIP,47pF ±5% CG 50V GR39	DD95470300
CD21					CH44		4822 122 33777	CER.CHIP,47pF ±5% CG 50V GR39	DD95470300
CD24		4822 124 90353	ELECT.100μF ±20% 10V RA-2	OA10701020	CH45		4822 124 80578	ELECT.22μF 25V ARA	OA22602550
CD25					CH46		4822 124 80578	ELECT.22μF 25V ARA	OA22602550
CD28		4822 126 11687	CER.CHIP,0.1μF GRM39F104Z16	DK98104200	CH47		9965 000 05891	FILM,APSV 471J,470pF(TP) 100V PP	OF15471540
CD29					CH48		9965 000 05891	FILM,APSV 471J,470pF(TP) 100V PP	OF15471540
CD32		4822 124 22571	ELECT.10μF ±20% 50V RA-2	OA10605020	CH49				
CD33					CH49		4822 126 11687	CER.CHIP,0.1μF GRM39F104Z16	DK98104200
CD36		4822 126 11687	CER.CHIP,0.1μF GRM39F104Z16	DK98104200	CH56				
CD37					CJ01				
CD40		4822 124 22571	ELECT.10μF ±20% 50V RA-2	OA10605020	CJ01		4822 121 70089	FILM,820pF ±5% 50V	DF15821350
CD41					CJ08				
CD44		4822 126 11759	CER.CHIP,100pF ±5% CG 50V GR39	DD95101300	CJ09				
CD50							9965 000 09113	FILM,APSV 271J,270pF(TP) 100V PP	OF15271540
CD53		4822 126 11703	CER.CHIP,0.01μF	DK98103300	CJ16				
CD54		4822 126 11687	CER.CHIP,0.1μF GRM39F104Z16	DK98104200	CJ17		4822 124 80578	ELECT.22μF 25V ARA	OA22602550
CD55		4822 126 11687	CER.CHIP,0.1μF GRM39F104Z16	DK98104200	CJ18		4822 124 90362	ELECT.22μF ±20% 50V RA-2	OA22605020
CD56					CJ19		4822 124 80578	ELECT.22μF 25V ARA	OA22602550
CD59		4822 126 11703	CER.CHIP,0.01μF	DK98103300	CJ20		4822 124 80578	ELECT.22μF 25V ARA	OA22602550
CD60					CJ21				
CD65		4822 124 22571	ELECT.10μF ±20% 50V RA-2	OA10605020			9965 000 06697	FILM,APSV 561J 560pF(TP) 100V PP	OF15561540
CH01					CJ24				
CH08		4822 121 70089	FILM,820pF ±5% 50V	DF15821350	CJ25				
CH09							4822 124 90362	ELECT.22μF ±20% 50V RA-2	OA22605020
CH16		9965 000 09113	FILM,APSV 271J,270pF(TP) 100V PP	OF15271540	CJ28				
CH17					CJ29				
CH20		4822 124 80578	ELECT.22μF 25V ARA	OA22602550			4822 122 33761	CER.CHIP,22pF ±5% CG 50V GR39	DD95220300
CH21					CJ32				
CH24		9965 000 06697	FILM,APSV 561J 560pF(TP) 100V PP	OF15561540	CJ33		4822 124 80578	ELECT.22μF 25V ARA	OA22602550
CH25					CJ34		4822 124 90362	ELECT.22μF ±20% 50V RA-2	OA22605020
CH28		4822 124 90362	ELECT.22μF ±20% 50V RA-2	OA22605020	CJ35		4822 124 80578	ELECT.22μF 25V ARA	OA22602550
CH29					CJ36		4822 124 80578	ELECT.22μF 25V ARA	OA22602550
CH32		4822 122 33761	CER.CHIP,22pF ±5% CG 50V GR39	DD95220300	CJ37				
CH33							9965 000 05891	FILM,APSV 471J,470pF(TP) 100V PP	OF15471540
CH36		4822 124 80578	ELECT.22μF 25V ARA	OA22602550	CJ40				
					CJ41				
							4822 126 11687	CER.CHIP,0.1μF GRM39F104Z16	DK98104200
					CJ48				
					CK01		4822 111 41305	0Ω ±5% 1/4W	GD05000140
					CK02		4822 111 41305	0Ω ±5% 1/4W	GD05000140
					CK03		4822 124 90362	ELECT.22μF ±20% 50V RA-2	OA22605020
					CK04		4822 124 90362	ELECT.22μF ±20% 50V RA-2	OA22605020
					CK05		4822 122 33753	CER.CHIP,150pF ±5% CG 50V GR39	DD95151300
					CK06		4822 122 33753	CER.CHIP,150pF ±5% CG 50V GR39	DD95151300
					CK07		4822 126 11759	CER.CHIP,100pF ±5% CG 50V GR39	DD95101300

NOTE : *nsp* PART IS LISTED FOR REFERENCE ONLY, MARANTZ WILL NOT SUPPLY THESE PARTS.

SR8200

POS. NO	VERS. COLOR	PART NO. (FOR PCS)	DESCRIPTION	PART NO. (MJI)	POS. NO	VERS. COLOR	PART NO. (FOR PCS)	DESCRIPTION	PART NO. (MJI)
CK08		4822 126 11759	CER.CHIP,100pF ±5% CG 50V GR39	DD95101300	RH37		4822 116 83217	CHIP,560kΩ ±5% 1/16W	NN05564610
CK11					RH38		4822 116 83217	CHIP,560kΩ ±5% 1/16W	NN05564610
}					RH39		4822 116 83209	CHIP,120kΩ ±5% 1/16W	NN05124610
CK17		4822 126 11687	CER.CHIP,0.1μF GRM39F104Z16	DK98104200	RH40		4822 116 83209	CHIP,120kΩ ±5% 1/16W	NN05124610
CK18		4822 124 22571	ELECT.10μF ±20% 50V RA-2	OA10605020	RH41				
CK19		4822 124 41543	ELECT.1μF ±20% 50V RA-2	OA10505020	}		4822 051 30103	CHIP,10kΩ ±5% 1/16W	NN05103610
CK20		4822 124 41543	ELECT.1μF ±20% 50V RA-2	OA10505020	RH44				
CK21					RH45				
}					}		4822 051 30471	CHIP,470kΩ ±5% 1/16W	NN05471610
CK24		4822 122 33777	CER.CHIP,47pF ±5% CG 50V GR39	DD95470300	RH48				
CK25		4822 126 11687	CER.CHIP,47pF ±5% CG 50V GR39	DK98104200	RH49				
					}		4822 117 13632	CHIP,100kΩ ±5% 1/16W	NN05104610
CK26		4822 126 11687	CER.CHIP,0.1μF GRM39F104Z16	DK98104200	RH52				
CK27		4822 122 33777	CER.CHIP,47pF ±5% CG 50V GR39	DD95470300	RH53		4822 051 30472	CHIP,4.7kΩ ±5% 1/16W	NN05472610
CK28		4822 122 33777	CER.CHIP,	DD95470300	RH54		4822 051 30472	CHIP,4.7kΩ ±5% 1/16W	NN05472610
CK29		9965 000 08352	CER.CHIP,0.1μF 50V F C1608JF1H104Z	DK98104300	RH55		4822 051 30332	CHIP,3.3kΩ ±5% 1/16W	NN05332610
CK30		9965 000 00599	CER.CHIP,0.22μF ±10% B 10V	DK96224200	RH56		4822 051 30332	CHIP,3.3kΩ ±5% 1/16W	NN05332610
CK62		4822 124 90357	ELECT.2.2μF ±20% 50V RA-2	OA22505020	RH57		4822 051 30472	CHIP,4.7kΩ ±5% 1/16W	NN05472610
CK63		4822 126 11687	CER.CHIP,0.1μF GRM39F104Z16	DK98104200	RH58		4822 051 30472	CHIP,4.7kΩ ±5% 1/16W	NN05472610
CK64		4822 126 11687	CER.CHIP,0.1μF GRM39F104Z16	DK98104200	RH59		4822 051 30332	CHIP,3.3kΩ ±5% 1/16W	NN05332610
CK65		4822 126 11687	CER.CHIP,0.1μF GRM39F104Z16	DK98104200	RH60		4822 051 30332	CHIP,3.3kΩ ±5% 1/16W	NN05332610
CK66		4822 124 90353	ELECT.100μF ±20% 10V RA-2	OA10701020	RH61		4822 051 30471	CHIP,470Ω ±5% 1/16W	NN05471610
CK67		4822 124 90353	ELECT.100μF ±20% 10V RA-2	OA10701020	RH62		4822 051 30471	CHIP,470Ω ±5% 1/16W	NN05471610
CK68		4822 126 11568	CER.CHIP,470pF (GR39)	DK96471300	RH63		4822 117 13632	CHIP,100kΩ ±5% 1/16W	NN05104610
CK69		4822 124 22571	ELECT.10μF ±20% 50V RA-2	OA10605020	RH64		4822 117 13632	CHIP,100kΩ ±5% 1/16W	NN05104610
CK70		4822 124 22571	ELECT.10μF ±20% 50V RA-2	OA10605020	RJ01				
					}		4822 051 30222	CHIP,2.2kΩ ±5% 1/16W	NN05222610
					RJ28				
					RJ29				
					}		4822 117 13632	CHIP,100kΩ ±5% 1/16W	NN05104610
					RJ32				
			PD04- RESISTORS		RJ33		4822 051 30223	CHIP,22kΩ ±5% 1/16W	NN05223610
RA01		4822 051 30759	CHIP,75Ω ±5% 1/16W	NN05750610	RJ34		4822 051 30472	CHIP,4.7kΩ ±5% 1/16W	NN05472610
RA02		4822 051 30759	CHIP,75Ω ±5% 1/16W	NN05750610	RJ35		4822 051 30103	CHIP,10kΩ ±5% 1/16W	NN05103610
RA03		4822 051 30759	CHIP,75Ω ±5% 1/16W	NN05750610	RJ36		4822 051 30103	CHIP,10kΩ ±5% 1/16W	NN05103610
RA06		4822 051 30102	CHIP,1kΩ ±5% 1/16W	NN05102610	RJ37		4822 116 83217	CHIP,560kΩ ±5% 1/16W	NN05564610
RA07		4822 051 30102	CHIP,1kΩ ±5% 1/16W	NN05102610	RJ38		4822 051 30683	CHIP,68kΩ ±5% 1/16W	NN05683610
RA08		4822 051 30102	CHIP,1kΩ ±5% 1/16W	NN05102610	RJ39		4822 116 83209	CHIP,120kΩ ±5% 1/16W	NN05124610
RA11		4822 117 13632	CHIP,100kΩ ±5% 1/16W	NN05104610	RJ40		4822 116 83209	CHIP,120kΩ ±5% 1/16W	NN05124610
RA12		4822 117 13632	CHIP,100kΩ ±5% 1/16W	NN05104610	RJ41				
RA13		4822 117 13632	CHIP,100kΩ ±5% 1/16W	NN05104610	}		4822 051 30103	CHIP,10kΩ ±5% 1/16W	NN05103610
RA16		4822 051 30472	CHIP,4.7kΩ ±5% 1/16W	NN05472610	RJ44				
RA17		4822 051 30472	CHIP,4.7kΩ ±5% 1/16W	NN05472610	RJ45				
RA18		4822 051 30472	CHIP,4.7kΩ ±5% 1/16W	NN05472610	}		4822 051 30471	CHIP,470Ω ±5% 1/16W	NN05471610
RA21		4822 051 30103	CHIP,10kΩ ±5% 1/16W	NN05103610	RJ48				
RA22		4822 051 30103	CHIP,10kΩ ±5% 1/16W	NN05103610	RJ49				
RA23		4822 051 30103	CHIP,10kΩ ±5% 1/16W	NN05103610	}		4822 117 13632	CHIP,100kΩ ±5% 1/16W	NN05104610
RA25		4822 051 30472	CHIP,4.7kΩ ±5% 1/16W	NN05472610	RJ52				
RA26		4822 051 30472	CHIP,4.7kΩ ±5% 1/16W	NN05472610	RK01		4822 051 30472	CHIP,4.7kΩ ±5% 1/16W	NN05472610
RA27		4822 051 30472	CHIP,4.7kΩ ±5% 1/16W	NN05472610	RK02		4822 051 30472	CHIP,4.7kΩ ±5% 1/16W	NN05472610
RD01					RK03		4822 051 30392	CHIP,3.9kΩ ±5% 1/16W	NN05392610
}					RK04		4822 051 30392	CHIP,3.9kΩ ±5% 1/16W	NN05392610
RD08		4822 051 30102	CHIP,1kΩ ±5% 1/16W	NN05102610	RK05				
RD09		4822 051 30103	CHIP,10kΩ ±5% 1/16W	NN05103610	}		4822 051 30222	CHIP,2.2kΩ ±5% 1/16W	NN05222610
RH01					RK08				
}					RK09		4822 051 30472	CHIP,4.7kΩ ±5% 1/16W	NN05472610
RH28		4822 051 30222	CHIP,2.2kΩ ±5% 1/16W	NN05222610	RK10		4822 051 30472	CHIP,4.7kΩ ±5% 1/16W	NN05472610
RH29					RK11				
}					}		4822 051 30103	CHIP,10kΩ ±5% 1/16W	NN05103610
RH32		4822 117 13632	CHIP,100kΩ ±5% 1/16W	NN05104610	RK14				
RH33		4822 051 30223	CHIP,22kΩ ±5% 1/16W	NN05223610	RK15		4822 051 30331	CHIP,330Ω ±5% 1/16W	NN05331610
RH34		4822 051 30223	CHIP,22kΩ ±5% 1/16W	NN05223610	RK16		4822 051 30331	CHIP,330Ω ±5% 1/16W	NN05331610
RH35		4822 051 30103	CHIP,10kΩ ±5% 1/16W	NN05103610	RK19		4822 051 30222	CHIP,2.2kΩ ±5% 1/16W	NN05222610
RH36		4822 051 30103	CHIP,10kΩ ±5% 1/16W	NN05103610					

NOTE : *hsp* PART IS LISTED FOR REFERENCE ONLY, MARANTZ WILL NOT SUPPLY THESE PARTS.

SR8200

POS. NO	VERS. COLOR	PART NO. (FOR PCS)	DESCRIPTION	PART NO. (MJ)	POS. NO	VERS. COLOR	PART NO. (FOR PCS)	DESCRIPTION	PART NO. (MJ)
RK20		4822 051 30222	CHIP,2.2kΩ ±5% 1/16W	NN05222610	QK05		4822 209 17155	IC,NJM2068M TAPING	HC10102090
RK21		4822 051 30105	CHIP,1MΩ ±5% 1/16W	NN05105610	QK06		4822 209 17155	IC,NJM2068M TAPING	HC10102090
RK23		4822 051 30223	CHIP,22kΩ ±5% 1/16W	NN05223610	QK07		4822 130 61903	DIG.TR.S.DTA114EU	BA10026210
RK28					QK08		4822 209 14615	IC,NJM2115M	HC10172090
RK29		4822 051 30473	CHIP,47kΩ ±5% 1/16W	NN05473610	QK52		9965 000 12341	IC,ADC AK5380VT 24BIT 105DB	HC10035480
RK30		4822 051 30473	CHIP,47kΩ ±5% 1/16W	NN05473610	QK70		4822 130 61903	DIG.TR.S.DTA114EU	BA10026210
RK31		4822 051 30472	CHIP,4.7kΩ ±5% 1/16W	NN05472610	QK71		4822 130 60839	TRS.2SC2458 Y OR GR	HT324582B0
RK32		4822 051 30473	CHIP,47kΩ ±5% 1/16W	NN05473610	QK72		4822 130 61903	DIG.TR.S.DTA114EU	BA10026210
RK33		4822 051 30103	CHIP,10kΩ ±5% 1/16W	NN05103610	QK73		4822 130 60839	TRS.2SC2458 Y OR GR	HT324582B0
RK39		4822 051 30684	CHIP,680kΩ ±5% 1/16W	NN05684610	PD04- MISCELLANEOUS				
RK40		4822 051 30684	CHIP,680kΩ ±5% 1/16W	NN05684610	JA01		4822 265 10682	TERMINAL, YKC21-3779	YT02030420
RK41		4822 051 30684	CHIP,680kΩ ±5% 1/16W	NN05684610	JA03		9965 000 12658	OPT.CONNECTOR,JFJ400	YJ15000200
RK42		4822 051 30473	CHIP,47kΩ ±5% 1/16W	NN05473610	JA04		9965 000 12658	OPT.CONNECTOR,JFJ400	YJ15000200
RK43		4822 051 30684	CHIP,680kΩ ±5% 1/16W	NN05684610	JA05		9965 000 12658	OPT.CONNECTOR,JFJ400	YJ15000200
RK44		4822 051 30472	CHIP,4.7kΩ ±5% 1/16W	NN05472610	LD01		4822 242 73843	EMI FILTER,DSS306-91-F-223Z	FM12223010
RK46		4822 051 30103	CHIP,10kΩ ±5% 1/16W	NN05103610	LD04				
RK47		4822 051 30103	CHIP,10kΩ ±5% 1/16W	NN05103610	LK70		9965 000 01576	RELAY,MR82-24USR	LY20240480
RK48		4822 051 30103	CHIP,10kΩ ±5% 1/16W	NN05103610	LK71		9965 000 01576	RELAY,MR82-24USR	LY20240480
RK49		4822 051 30472	CHIP,4.7kΩ ±5% 1/16W	NN05472610	PF04- SCART CIRCUIT BOARD (N ONLY) PF04- CAPACITORS				
RK50		4822 051 30472	CHIP,4.7kΩ ±5% 1/16W	NN05472610	CF81	/N	4822 122 30043	CER.0.01μF Z 50V	DK18103310
RK51		4822 051 30103	CHIP,10kΩ ±5% 1/16W	NN05103610	CF82	/N	5322 124 21731	ELECT.10μF ±20% 50V RA-2	OA10605020
RK55		4822 051 30563	CHIP,56kΩ ±5% 1/16W	NN05563610	PF04- RESISTORS				
RK56		4822 051 30563	CHIP,56kΩ ±5% 1/16W	NN05563610	RF83	/N	4822 116 82805	1Ω ±5% 1/6W	GG05010160
RK58		4822 051 30471	CHIP,470Ω ±5% 1/16W	NN05471610	PF04- RESISTORS(COMMON) CARBON FILM FIXED RES. ±5% 1/6W : RF81[/N] RF82[/N]				
RK70		4822 051 30103	CHIP,10kΩ ±5% 1/16W	NN05103610	PF04- SEMICONDUCTORS				
RK73									
RK74		4822 052 10681	680Ω ±5% 1/6W	GG05681160	DF81	/N	4822 130 32362	DIODE,1SS176,MA165,1SS254 30V 0.1A	HD20002000
RK75		4822 052 10681	680Ω ±5% 1/6W	GG05681160	QF81	/N	4822 130 60839	TRS.2SC2458 (B)	HT324582B0
RK76		4822 051 30103	CHIP,10kΩ ±5% 1/16W	NN05103610	PF04- MISCELLANEOUS				
RK77		4822 051 30103	CHIP,10kΩ ±5% 1/16W	NN05103610	JF81	/N	9965 000 08366	TERMINAL, YKF41-5040	YT02210070
DA01		4822 130 81324	CHIP DIODE,1SS302	HZ20018050	JF82	/N	9965 000 08366	TERMINAL, YKF41-5040	YT02210070
DA02		4822 130 81324	CHIP DIODE,1SS302	HZ20018050	LF81	/N	9965 000 01576	RELAY,MR82-24USR	LY20240480
DA03		4822 130 81324	CHIP DIODE,1SS302	HZ20018050	PF14- COMPONENT CIRCUIT BOARD PF14- CAPACITORS				
DK01		4822 130 81324	CHIP DIODE,1SS302	HZ20018050	CF61	/S/U	CER.0.01μF Z 50V	DK18103310	
DK02		4822 130 81324	CHIP DIODE,1SS302	HZ20018050	CF62	/S/U	ELECT.10μF ±20% 50V RA-2	OA10605020	
DK03		4822 130 81324	CHIP DIODE,1SS302	HZ20018050	CF63	/S/U	ELECT.470μF ±20% 6.3V RA-2	OA47700620	
DK70		4822 130 81324	CHIP DIODE,1SS302	HZ20018050	PF14- RESISTORS				
DK71		4822 130 81324	CHIP DIODE,1SS302	HZ20018050	RF53	/S/U	1Ω ±5% 1/6W	GG05010160	
QA01		4822 209 31568	IC,CMOS 74HC004 FLAT TAPING	HC700400Z0	RF59	/S/U	1Ω ±5% 1/6W	GG05010160	
QA03		9965 000 01342	IC,TC74HC151AF	HC715100Z0	RF76	/S/U	1Ω ±5% 1/6W	GG05010160	
QA04		9965 000 01342	IC,TC74HC151AF	HC715100Z0	RF77	/S/U	75Ω ±5% 1/6W	GD05750160	
QA05		4822 209 31929	IC,OR-GATE 74HC32	HC703200Z0	PF14- RESISTORS(COMMON) CARBON FILM FIXED RES. ±5% 1/6W : RF51[/S/U] RF52[/S/U] RF57[/S/U] RF58[/S/U] RF74[/S/U] RF75[/S/U]				
QA06		4822 209 30426	IC,CMOS 74HC00 FLAT TAPING	HC700000Z0					
QA07		5322 209 11578	IC,PCF8574(I/O EXPANDER)	HC10068490					
QD01		9965 000 12651	IC,DAC CS4396-KS 24BIT DR=120DB	HC10011880					
QD04									
QH01		4822 209 17155	IC,NJM2068M TAPING	HC10102090					
QH05									
QJ01									
QJ04									
QK01		4822 130 63601	CHIP TR.(2SC),2SC4213	HX342132A0					
QK02		4822 130 63601	CHIP TR.(2SC),2SC4213	HX342132A0					
QK03		4822 209 14615	IC,NJM2115M	HC10172090					
QK04		4822 209 14615	IC,NJM2115M	HC10172090					

NOTE : *nsp* PART IS LISTED FOR REFERENCE ONLY, MARANTZ WILL NOT SUPPLY THESE PARTS.

SR8200

POS. NO	VERS. COLOR	PART NO. (FOR PCS)	DESCRIPTION	PART NO. (MJ1)	POS. NO	VERS. COLOR	PART NO. (FOR PCS)	DESCRIPTION	PART NO. (MJ1)
CM38		4822 122 40617	CER.50V DC 0.1μF +80-20%	DD38104010	RE69				
CM39		4822 124 22698	ELECT.47μF ±20% 25V RA-2	OA47602520	RE70		4822 111 90905	CHIP,220Ω ±5% 1/10W	NI05221110
CM40		4822 124 22698	ELECT.47μF ±20% 25V RA-2	OA47602520	RE72				
			PG04-CAPACITORS(COMMON)		RE73		4822 111 90918	CHIP,4.7kΩ ±5% 1/10W	NI05472110
			HIGH DIELECTRIC CONSTANT		RE76				
			CER.CAPACITOR ±10% 50V :		RE77		2322 734 63309	CHIP,33Ω ±5% 1/10W	NI05330110
			CE05 CE06 CE15 CE16		RE78		2322 734 63309	CHIP,33Ω ±5% 1/10W	NI05330110
			CE21-CE24 CE30 CE45-CE48		RE80		4822 111 90893	CHIP,100Ω ±5% 1/10W	NI05101110
			CE55 CE56 CE65 CE66		RE91		4822 111 90897	CHIP,1MΩ ±5% 1/10W	NI05105110
			CE71-CE74 CE80 CG05 CG06		RE92		4822 111 90897	CHIP,1MΩ ±5% 1/10W	NI05105110
			CG15 CG16 CG21-CG24 CG55		RG01		4822 111 90919	CHIP,47kΩ ±5% 1/10W	NI05473110
			CG56 CG65 CG66 CG71-CG74		RG02		4822 111 90919	CHIP,47kΩ ±5% 1/10W	NI05473110
			CM05 CM06 CM15 CM16		RG03				
			CM21-CM24 CM35 CM36 CM41		RG06		4822 111 90895	CHIP,10kΩ ±5% 1/10W	NI05103110
			CM42		RG07				
			PG04- RESISTORS		RG10		4822 111 90919	CHIP,47kΩ ±5% 1/10W	NI05473110
RE01		4822 111 90919	CHIP,47kΩ ±5% 1/10W	NI05473110	RG11		4822 111 90922	CHIP,5.6kΩ ±5% 1/10W	NI05562110
RE02		4822 111 90919	CHIP,47kΩ ±5% 1/10W	NI05473110	RG12		4822 111 90922	CHIP,5.6kΩ ±5% 1/10W	NI05562110
RE03					RG13		4822 111 90918	CHIP,4.7kΩ ±5% 1/10W	NI05472110
RE06		4822 111 90895	CHIP,10kΩ ±5% 1/10W	NI05103110	RG14		4822 111 90918	CHIP,4.7kΩ ±5% 1/10W	NI05472110
RE07					RG15		4822 111 90926	CHIP,8.2kΩ ±5% 1/10W	NI05822110
RE10		4822 111 90919	CHIP,47kΩ ±5% 1/10W	NI05473110	RG16		4822 111 90926	CHIP,8.2kΩ ±5% 1/10W	NI05822110
RE11		4822 111 90919	CHIP,47kΩ ±5% 1/10W	NI05473110	RG17		4822 111 90919	CHIP,47kΩ ±5% 1/10W	NI05473110
RE12		4822 111 90922	CHIP,5.6kΩ ±5% 1/10W	NI05562110	RG18		4822 111 90919	CHIP,47kΩ ±5% 1/10W	NI05473110
RE13		4822 111 90922	CHIP,5.6kΩ ±5% 1/10W	NI05562110	RG19				
RE14		4822 111 90918	CHIP,4.7kΩ ±5% 1/10W	NI05472110	RG22		4822 111 90905	CHIP,220Ω ±5% 1/10W	NI05221110
RE15		4822 111 90918	CHIP,4.7kΩ ±5% 1/10W	NI05472110	RG23				
RE16		4822 111 90926	CHIP,8.2kΩ ±5% 1/10W	NI05822110	RG26		4822 111 90918	CHIP,4.7kΩ ±5% 1/10W	NI05472110
RE17		4822 111 90926	CHIP,8.2kΩ ±5% 1/10W	NI05822110	RG27		2322 734 63309	CHIP,33Ω ±5% 1/10W	NI05330110
RE18		4822 111 90919	CHIP,47kΩ ±5% 1/10W	NI05473110	RG28		2322 734 63309	CHIP,33Ω ±5% 1/10W	NI05330110
RE19		4822 111 90919	CHIP,47kΩ ±5% 1/10W	NI05473110	RG41		4822 111 90897	CHIP,1MΩ ±5% 1/10W	NI05105110
RE22		4822 111 90905	CHIP,220Ω ±5% 1/10W	NI05221110	RG51		4822 111 90919	CHIP,47kΩ ±5% 1/10W	NI05473110
RE23					RG52		4822 111 90919	CHIP,47kΩ ±5% 1/10W	NI05473110
RE26		4822 111 90918	CHIP,4.7kΩ ±5% 1/10W	NI05472110	RG53				
RE27					RG56		4822 111 90895	CHIP,10kΩ ±5% 1/10W	NI05103110
RE28		2322 734 63309	CHIP,33Ω ±5% 1/10W	NI05330110	RG57				
RE30		2322 734 63309	CHIP,33Ω ±5% 1/10W	NI05330110	RG60		4822 111 90919	CHIP,47kΩ ±5% 1/10W	NI05473110
RE41		4822 111 90893	CHIP,100Ω ±5% 1/10W	NI05101110	RG61				
RE43		4822 111 90897	CHIP,1MΩ ±5% 1/10W	NI05105110	RG62		4822 111 90922	CHIP,5.6kΩ ±5% 1/10W	NI05562110
RE44		4822 111 90893	CHIP,100Ω ±5% 1/10W	NI05101110	RG63		4822 111 90922	CHIP,5.6kΩ ±5% 1/10W	NI05562110
RE51		4822 111 90893	CHIP,100Ω ±5% 1/10W	NI05101110	RG64		4822 111 90918	CHIP,4.7kΩ ±5% 1/10W	NI05472110
RE52		4822 111 90897	CHIP,100Ω ±5% 1/10W	NI05101110	RG65		4822 111 90918	CHIP,4.7kΩ ±5% 1/10W	NI05472110
RE53		4822 111 90919	CHIP,47kΩ ±5% 1/10W	NI05473110	RG66		4822 111 90918	CHIP,4.7kΩ ±5% 1/10W	NI05472110
RE54		4822 111 90919	CHIP,47kΩ ±5% 1/10W	NI05473110	RG67		4822 111 90926	CHIP,8.2kΩ ±5% 1/10W	NI05822110
RE55		4822 111 90895	CHIP,10kΩ ±5% 1/10W	NI05103110	RG68		4822 111 90926	CHIP,8.2kΩ ±5% 1/10W	NI05822110
RE56		4822 111 90911	CHIP,27kΩ ±5% 1/10W	NI05273110	RG69		4822 111 90919	CHIP,47kΩ ±5% 1/10W	NI05473110
RE57		4822 111 90895	CHIP,10kΩ ±5% 1/10W	NI05103110	RG72				
RE58		4822 111 90895	CHIP,10kΩ ±5% 1/10W	NI05103110	RG73		4822 111 90918	CHIP,4.7kΩ ±5% 1/10W	NI05472110
RE60		4822 111 90919	CHIP,47kΩ ±5% 1/10W	NI05473110	RG76				
RE61		4822 111 90922	CHIP,5.6kΩ ±5% 1/10W	NI05562110	RG77		2322 734 63309	CHIP,33Ω ±5% 1/10W	NI05330110
RE62		4822 111 91369	CHIP,1.5kΩ ±5% 1/10W	NI05152110	RG78		2322 734 63309	CHIP,33Ω ±5% 1/10W	NI05330110
RE63		4822 111 90918	CHIP,4.7kΩ ±5% 1/10W	NI05472110	RG91		4822 111 90897	CHIP,1MΩ ±5% 1/10W	NI05105110
RE64		4822 111 90918	CHIP,4.7kΩ ±5% 1/10W	NI05472110	RM01		4822 111 90919	CHIP,47kΩ ±5% 1/10W	NI05473110
RE65		4822 111 90902	CHIP,1.8kΩ ±5% 1/10W	NI05182110	RM02		4822 111 90919	CHIP,47kΩ ±5% 1/10W	NI05473110
RE66		4822 111 90926	CHIP,8.2kΩ ±5% 1/10W	NI05822110					
RE67		4822 111 90926	CHIP,8.2kΩ ±5% 1/10W	NI05822110					
RE68		4822 111 90919	CHIP,47kΩ ±5% 1/10W	NI05473110					
RE69		4822 111 90919	CHIP,47kΩ ±5% 1/10W	NI05473110					

NOTE : *nsp* PART IS LISTED FOR REFERENCE ONLY, MARANTZ WILL NOT SUPPLY THESE PARTS.

SR8200

POS. NO	VERS. COLOR	PART NO. (FOR PCS)	DESCRIPTION	PART NO. (MJI)	POS. NO	VERS. COLOR	PART NO. (FOR PCS)	DESCRIPTION	PART NO. (MJI)
RM03		4822 111 90895	CHIP,10kΩ ±5% 1/10W	NI05103110	QG55		4822 130 43818	TRS.2SC2878 A OR BRANK	HT328782A0
RM06					QG58				
RM07		4822 111 90919	CHIP,47kΩ ±5% 1/10W	NI05473110	QM01		4822 209 73064	IC,NJM-2068-DD	HC10053090
RM10					QM03		4822 209 73064	IC,NJM-2068-DD	HC10053090
RM11		4822 111 90916	CHIP,3.9kΩ ±5% 1/10W	NI05392110	QM05				
RM12		4822 111 90916	CHIP,3.9kΩ ±5% 1/10W	NI05392110			4822 130 43818	TRS.2SC2878 A OR BRANK	HT328782A0
RM13		4822 111 90898	CHIP,12kΩ ±5% 1/10W	NI05123110	QM08				
RM14		4822 111 90898	CHIP,12kΩ ±5% 1/10W	NI05123110	QM30		4822 209 73064	IC,NJM-2068-DD	HC10053090
RM15		4822 111 90919	CHIP,47kΩ ±5% 1/10W	NI05473110	QM31		4822 130 43818	TRS.2SC2878 A OR BRANK	HT328782A0
RM16		4822 111 90919	CHIP,47kΩ ±5% 1/10W	NI05473110	QM32		4822 130 43818	TRS.2SC2878 A OR BRANK	HT328782A0
RM17					QM60		4822 130 60588	DIG.TRS.DTC114ES/UN4211 10K,10K	BA20001000
RM20		4822 111 90905	CHIP,220Ω ±5% 1/10W	NI05221110	QM61		4822 130 42949	TRS.2SA970 (GR) OR (BL)	HT109702A0
RM21									
RM24		4822 111 90918	CHIP,4.7kΩ ±5% 1/10W	NI05472110					
RM25		2322 734 63309	CHIP,33Ω ±5% 1/10W	NI05330110	JE11		9965 000 12721	TERMINAL, YKC21-4360 1L4P FS BK NI	YT02041360
RM26		2322 734 63309	CHIP,33Ω ±5% 1/10W	NI05330110	JE12		9965 000 12721	TERMINAL, YKC21-4360 1L4P FS BK NI	YT02041360
RM31		4822 111 90919	CHIP,47kΩ ±5% 1/10W	NI05473110	JE13		9965 000 12722	TERMINAL, YKC21-4042 2L2P FS W/R NI	YT02021730
RM32		4822 111 90919	CHIP,47kΩ ±5% 1/10W	NI05473110					
RM33		4822 111 90916	CHIP,3.9kΩ ±5% 1/10W	NI05392110	LM60		9965 000 01576	RELAY, MR82-24USR	LY20240480
RM34		4822 111 90916	CHIP,3.9kΩ ±5% 1/10W	NI05392110					
RM35		4822 111 90898	CHIP,12kΩ ±5% 1/10W	NI05123110					
RM36		4822 111 90898	CHIP,12kΩ ±5% 1/10W	NI05123110					
RM37		4822 111 90919	CHIP,47kΩ ±5% 1/10W	NI05473110					
RM38		4822 111 90919	CHIP,47kΩ ±5% 1/10W	NI05473110					
RM39		4822 111 91191	CHIP,330Ω ±5% 1/10W	NI05331110	CF01		4822 124 22571	ELECT.10μF ±20% 50V RA-2	OA10605020
RM40		4822 111 91191	CHIP,330Ω ±5% 1/10W	NI05331110	CF02		4822 124 22571	ELECT.10μF ±20% 50V RA-2	OA10605020
RM41		4822 111 90918	CHIP,4.7kΩ ±5% 1/10W	NI05472110	CF03		4822 124 22571	ELECT.10μF ±20% 50V RA-2	OA10605020
RM42		4822 111 90918	CHIP,4.7kΩ ±5% 1/10W	NI05472110	CF04		4822 122 40617	CER.50V DC 0.1μF +80-20%	DD38104010
RM43		4822 116 90503	CHIP,150Ω ±5% 1/10W	NI05151110	CF05		4822 124 22571	ELECT.10μF ±20% 50V RA-2	OA10605020
RM44		4822 116 90503	CHIP,150Ω ±5% 1/10W	NI05151110	CF06		4822 124 22571	ELECT.10μF ±20% 50V RA-2	OA10605020
RM61		4822 111 90897	CHIP,1MΩ ±5% 1/10W	NI05105110	CF07		4822 124 90353	ELECT.100μF ±20% 10V RA-2	OA10701020
RM62		4822 111 90895	CHIP,10kΩ ±5% 1/10W	NI05103110	CF08		4822 122 40617	CER.50V DC 0.1μF +80-20%	DD38104010
RM64		4822 111 90895	CHIP,10kΩ ±5% 1/10W	NI05103110	CF09		4822 124 22571	ELECT.10μF ±20% 50V RA-2	OA10605020
RM65		4822 111 90895	CHIP,10kΩ ±5% 1/10W	NI05103110	CF10		4822 124 22571	ELECT.10μF ±20% 50V RA-2	OA10605020
RM66		4822 052 10681	680Ω ±5% 1/6W	GG05681160	CF12		4822 124 22571	ELECT.10μF ±20% 50V RA-2	OA10605020
			PG04- SEMICONDUCTORS		CF13		4822 124 22571	ELECT.10μF ±20% 50V RA-2	OA10605020
DM60		4822 130 33944	CHIP DIODE,DAN202K	HZ20002210	CF14		4822 122 31205	CER.47pF ±5% CH 50V BLK	DD15470300
QE01		4822 209 73064	IC,NJM-2068-DD	HC10053090	CF15		4822 122 31205	CER.47pF ±5% CH 50V BLK	DD15470300
QE03		4822 209 73064	IC,NJM-2068-DD	HC10053090	CF16		4822 124 90353	ELECT.100μF ±20% 10V RA-2	OA10701020
QE04		9965 000 03395	IC,TC9482N	HC10456050	CF17		4822 122 40617	CER.50V DC 0.1μF +80-20%	DD38104010
QE05					CF19		4822 122 31205	CER.47pF ±5% CH 50V BLK	DD15470300
		4822 130 43818	TRS.2SC2878 A OR BRANK	HT328782A0	CF20		4822 124 22571	ELECT.10μF ±20% 50V RA-2	OA10605020
QE08					CF21		4822 124 22571	ELECT.10μF ±20% 50V RA-2	OA10605020
QE51		4822 209 73064	IC,NJM-2068-DD	HC10053090	CF22		4822 122 40617	CER.50V DC 0.1μF +80-20%	DD38104010
QE53		4822 209 73064	IC,NJM-2068-DD	HC10053090	CF23		4822 124 90354	ELECT.100μF ±20% 16V RA-2	OA10701620
QE54		9965 000 03395	IC,TC9482N	HC10456050	CF24		4822 124 41543	ELECT.1μF ±20% 50V RA-2	OA10505020
QE55					CF26		4822 122 40617	CER.50V DC 0.1μF +80-20%	DD38104010
		4822 130 43818	TRS.2SC2878 A OR BRANK	HT328782A0	CF27		4822 122 31205	CER.47pF ±5% CH 50V BLK	DD15470300
QE58					CF28		9965 000 01040	ELECT.470μF ±20% 6.3V RA-2	OA47700620
QG01		4822 209 73064	IC,NJM-2068-DD	HC10053090	CF31		4822 122 40617	CER.50V DC 0.1μF +80-20%	DD38104010
QG03		4822 209 73064	IC,NJM-2068-DD	HC10053090	CF33		4822 122 40617	CER.50V DC 0.1μF +80-20%	DD38104010
QG05					CL01		9965 000 01040	ELECT.470μF ±20% 6.3V RA-2	OA47700620
		4822 130 43818	TRS.2SC2878 A OR BRANK	HT328782A0	CL02		9965 000 01040	ELECT.470μF ±20% 6.3V RA-2	OA47700620
QG08					CL09				
QG51		4822 209 73064	IC,NJM-2068-DD	HC10053090			4822 122 31205	CER.47pF ±5% CH 50V BLK	DD15470300
QG53		4822 209 73064	IC,NJM-2068-DD	HC10053090	CL12		4822 124 22571	ELECT.10μF ±20% 50V RA-2	OA10605020
					CL13		4822 124 22571	ELECT.10μF ±20% 50V RA-2	OA10605020
					CL14		4822 124 22571	ELECT.10μF ±20% 50V RA-2	OA10605020
					CL15		4822 122 40617	CER.50V DC 0.1μF +80-20%	DD38104010

NOTE : *nsp* PART IS LISTED FOR REFERENCE ONLY, MARANTZ WILL NOT SUPPLY THESE PARTS.

SR8200

POS. NO	VERS. COLOR	PART NO. (FOR PCS)	DESCRIPTION	PART NO. (MJI)	POS. NO	VERS. COLOR	PART NO. (FOR PCS)	DESCRIPTION	PART NO. (MJI)	
RL69		4822 116 81011	CHIP,75Ω ±5% 1/10W	NI05750110				PN14- RN47 CIRCUIT BOARD PN14- RESISTORS VARISTOR,FOR HEAT SENS. 100C BD		
RL70		4822 111 90892	CHIP,0Ω ±5% 1/10W	NI05000110						
RL72		4822 111 90894	CHIP,1kΩ ±5% 1/10W	NI05102110	RN47		4822 126 90009			HP00029230
RL84										
RL85		4822 111 90892	CHIP,0Ω ±5% 1/10W	NI05000110						
			PL04- SEMICONDUCTORS					PN24- RN62 CIRCUIT BOARD PN24- RESISTORS VARISTOR,FOR FAN SENS. 80C BF		
DL01		4822 130 33944	CHIP DIODE,DAN202K	HZ20002210	RN62		9965 000 12666			HP00042230
QF01		9965 000 12718	IC,NJM2534M TAPING TE1	HC10223090				PN54- RN49 CIRCUIT BOARD PN54- RESISTORS VARISTOR,FOR HEAT SENS. 100C BD		
QF02		9965 000 03394	IC,NJM2296M TAPING	HC10210090						
QF03		5322 209 13551	IC,NJM2535M TAPING TE1	HC10224090						
QF04		5322 209 11532	IC,74HC4094 16PIN DIP	HC709449B0						
QL01		9965 000 12718	IC,NJM2534M TAPING TE1	HC10223090	RN49		4822 126 90009			HP00029230
QL02		9965 000 03394	IC,NJM2296M TAPING	HC10210090				PN64- RN86 CIRCUIT BOARD PN64- RESISTORS VARISTOR,FOR FAN SENS. 80C BF		
QL03		5322 209 13551	IC,NJM2535M TAPING TE1	HC10224090						
QL04		4822 209 15524	IC,OSD IC LC74781	HC10377030						
QL05		5322 209 13551	IC,NJM2535M TAPING TE1	HC10224090						
QL06		9965 000 12719	IC,BA7622F TAPING-E2	HC10221210	RN86		9965 000 12666			HP00042230
QL07		5322 209 11532	IC,74HC4094 16PIN DIP	HC709449B0				PP04- AUX CIRCUIT BOARD PP04- CAPACITORS CER.470pF CER.470pF CER.50V DC 0.1μF +80-20% CER.50V DC 0.1μF +80-20%		
QL08		4822 130 41947	TRS.C2458,C1740S,C3199,ETC	HT30001000	CP01		4822 126 11127			DA16471110
QL09		4822 130 42715	TRS.A1048,A933S,A1267,ETC.	HT10001000	CP02		4822 126 11127			DA16471110
QL10		4822 130 41947	TRS.C2458,C1740S,C3199,ETC	HT30001000	CP03		4822 122 40617			DD38104010
QL11		4822 130 61227	DIG.TRS.DTA114ES/UN4111 10K, 10K	BA10001000	CP04		4822 122 40617			DD38104010
QL12		4822 130 41947	TRS.C2458,C1740S,C3199,ETC	HT30001000	CP05		4822 124 22571	ELECT.10μF ±20% 50V RA-2	OA10605020	
QL13		4822 130 60588	DIG.TRS.DTC114ES/UN4211 10K, 10K	BA20001000	CP08					
QL14		4822 130 41947	TRS.C2458,C1740S,C3199,ETC	HT30001000	CP09		4822 122 40617	CER.50V DC 0.1μF +80-20%	DD38104010	
QL15		4822 130 41947	TRS.C2458,C1740S,C3199,ETC	HT30001000	CP11		4822 124 22571	ELECT.10μF ±20% 50V RA-2	OA10605020	
QL16		4822 130 60588	DIG.TRS.DTC114ES/UN4211 10K, 10K	BA20001000	CP16					
QL17	/S/U		DIG.TRS.DTA114ES/UN4111 10K, 10K	BA10001000	CP17		4822 126 11558	CER.0.1μF Z 50V	DA17104110	
QL18	/N/S	4822 130 61189	DIG.TRS.DTC114TS/UN4215 10K	BA20004000	CP18		4822 124 90353	ELECT.100μF ±20% 10V RA-2	OA10701020	
QL19	/N/S	4822 130 61189	DIG.TRS.DTC114TS/UN4215 10K	BA20004000			4822 122 40617	CER.50V DC 0.1μF +80-20%	DD38104010	
QL20	/N/S	4822 130 61227	DIG.TRS.DTA114ES/UN4111 10K, 10K	BA10001000				PP04- RESISTORS 75Ω ±5% 1/6W 75Ω ±5% 1/6W 75Ω ±5% 1/6W		
QL21		4822 209 30426	IC,CMOS 74HC00 FLAT TAPING	HC700000Z0	RP11		4822 111 41355			GD05750160
QL22		9965 000 12720	CHIP TR.(2SC),2SC1622AD17	HX316221A0	RP12		4822 111 41355			GD05750160
			PL04- MISCELLANEOUS		RP14		4822 111 41355			GD05750160
JL01		9965 000 12715	TERMINAL,YKC21-3893 1L1 FS NI	YT02011700	R***				PP04- RESISTORS(COMMON) CARBON FILM FIXED RES. ±5% 1/6W : RP01-RP06 RP16	
JL02		9965 000 12716	TERMINAL,YKC21-4101 2L2 FS NI	YT02021720						
JL03		9965 000 03415	TERMINAL, 14X14 RA 1L3P YEL NI F-GROUND	YT02030590						
JL04		9965 000 12717	TERMINAL,YKC21-4344 1L4 FG NI	YT02041320	QP01		4822 209 83631	PP04- SEMICONDUCTORS IC,NJM4558D-D	HC10008090	
LL01		4822 242 73843	EMI FILTER,DSS306-91-F-223Z	FM12223010	JP01		9965 000 12658	PP04- MISCELLANEOUS OPT.CONNECTOR,JFJ400	YJ15000200	
LL02		4822 242 73843	EMI FILTER,DSS306-91-F-223Z	FM12223010	JP02		9965 000 01347	CINCH JACK 3P +S-TERMINAL	BY040400300	
LL03		4822 242 73843	EMI FILTER,DSS306-91-F-223Z	FM12223010				PP94- H.P. CIRCUIT BOARD PP94- CAPACITORS CER.50V DC 0.1μF +80-20%		
LL04		9965 000 03404	CHIP INDUCTANCE, NL252018 33UH	LU15333010						
XL01		4822 242 80288	CRYSTAL,AT49/ 14.31818MHZ(TP)	JX14001260	CP93		4822 122 40617			DD38104010
XL02	/N/S	4822 242 73903	CRYSTAL,AT49 17.7MHZ	JX17001260					PP94- MISCELLANEOUS JACK,HLJ2307-01-3160	
					JP99		4822 265 10685			

NOTE : *nsp* PART IS LISTED FOR REFERENCE ONLY, MARANTZ WILL NOT SUPPLY THESE PARTS.

SR8200

POS. NO	VERS. COLOR	PART NO. (FOR PCS)	DESCRIPTION	PART NO. (MJI)	POS. NO	VERS. COLOR	PART NO. (FOR PCS)	DESCRIPTION	PART NO. (MJI)
R851		4822 050 21501	PY04- RESISTORS 150Ω ±5% 1/4W	GG05151140	QY01		9965 000 12340	IC,TC74HC368AP	HC736805B0
R852		4822 116 82805	1Ω 1W	GG05010160				PY04- MISCELLANEOUS	
R***			PY04- RESISTORS(COMMON) CARBON FILM FIXED RES. ±5% 1/6W : R901-R904[/N/S] R951-R958[/N/S] R959-R962 RM81 RM83-RM85 RT01 RT02 RW01-RW04 RW31-RW34		▲ F851	/N/S	4822 071 52002	FUSE,T2.0A 250V TR5	FS20200200
			PY04- SEMICONDUCTORS		▲ F851	/U		FUSE,T2A 250V TR5 NO.19374	FS20200210
▲ D851					▲ F852	/N/S	4822 071 52002	FUSE,T2.0A 250V TR5	FS20200200
▲ } ▲ D858		4822 130 82421	DIODE,1D3 1A/200V	HD20002710	▲ F852	/U		FUSE,T2A 250V TR5 NO.19374	FS20200210
D859		4822 130 81247	DIODE,1GWJ43	HD20031050	▲ F853	/N/S	4822 071 52002	FUSE,T2.0A 250V TR5	FS20200200
D860		4822 130 82421	DIODE,1D3 1A/200V	HD20002710	▲ F853	/U		FUSE,T2A 250V TR5 NO.19374	FS20200210
▲ D861		4822 130 33057	DIODE,S2VB20	HE20011290	▲ F854	/N/S	4822 071 52002	FUSE,T2.0A 250V TR5	FS20200200
D862		4822 130 82421	DIODE,1D3 1A/200V	HD20002710	▲ F854	/U		FUSE,T2A 250V TR5 NO.19374	FS20200210
D863		4822 130 82421	DIODE,1D3 1A/200V	HD20002710	L901	/N/S	4822 242 73843	EMI FILTER,DSS306-91-F-223Z	FM12223010
D864		4822 130 82421	DIODE,1D3 1A/200V	HD20002710	L911	/N/S	4822 242 73843	EMI FILTER,DSS306-91-F-223Z	FM12223010
▲ D865		4822 130 81157	ZENER,MTZJ3.0B	HD30301000	LT05		4822 242 73843	EMI FILTER,DSS306-91-F-223Z	FM12223010
D866		4822 130 82421	DIODE,1D3 1A/200V	HD20002710	LT06		4822 242 73843	EMI FILTER,DSS306-91-F-223Z	FM12223010
D867		4822 130 82421	DIODE,1D3 1A/200V	HD20002710	X901	/N/S	4822 242 10857	CRYSTAL,4.332MHZ,AT-49	JX04003260
D868		4822 130 82421	DIODE,1D3 1A/200V	HD20002710					
DM81									
}		4822 130 32362	DIODE,1SS176,MA165,1SS254 30V 0.1A	HD20002000					
DM93									
DM94	/N/S	4822 130 32362	DIODE,1SS176,MA165,1SS254 30V 0.1A	HD20002000					
DT01		4822 130 82421	DIODE,1D3 1A/200V	HD20002710					
▲ Q851		4822 209 83317	IC,NJM7815FA +15V 1A	HC38915090					
▲ Q852		4822 209 31864	IC,NJM7915FA	HC39915090					
▲ Q853		4822 209 31631	IC,NJM7805FA +5V	HC38905090					
▲ Q854		4822 209 63179	IC,NJM7905FA	HC39905090					
▲ Q855		4822 209 31631	IC,NJM7805FA +5V	HC38905090					
▲ Q856		3141 018 50260	IC,BA033T +3.3V 1A TYPE	HC36J33210					
▲ Q857		4822 130 63635	TRS.2SC4793 O,Y	HT347932A0					
▲ Q858		4822 130 63635	TRS.2SC4793 O,Y	HT347932A0					
Q901	/N/S	9965 000 06293	IC,LC72722 RDS DECODER	HC10404030					
Q902	/N/S	4822 130 41947	TRS.C2458,C1740S,C3199,ETC	HT30001000					
Q903	/N/S	4822 130 60588	DIG.TRS.DTC114ES/UN4211 10K,10K	BA20001000					
Q904	/N/S	4822 130 61227	DIG.TRS.DTA114ES/UN4111 10K,10K	BA10001000					
Q951	/N/S	4822 209 83631	IC,NJM4558D-D	HC10008090					
QM81		5322 209 11532	IC,74HC4094 16PIN DIP	HC709449B0					
QM82		5322 209 11532	IC,74HC4094 16PIN DIP	HC709449B0					
QM83									
}		4822 130 61227	DIG.TRS.DTA114ES/UN4111 10K,10K	BA10001000					
QM88									
QM89		4822 130 60588	DIG.TRS.DTC114ES/UN4211 10K,10K	BA20001000					
QM90		4822 130 61227	DIG.TRS.DTA114ES/UN4111 10K,10K	BA10001000					
QT02		4822 130 60588	DIG.TRS.DTC114ES/UN4211 10K,10K	BA20001000					
▲ QT03	/N	4822 209 70084	IC,NJM7812FA +12V	HC38912090					
▲ QT03	/S/U		IC,NJM7812FA +12V	HC38912090					
QT04		4822 130 61227	DIG.TRS.DTA114ES/UN4111 10K,10K	BA10001000					
QW01		4822 209 73064	IC,NJM-2068-DD	HC10053090					
QW31		4822 209 83631	IC,NJM4558D-D	HC10008090					

NOTE : "nsp" PART IS LISTED FOR REFERENCE ONLY, MARANTZ WILL NOT SUPPLY THESE PARTS.

PS9200

POS. NO	VERS. COLOR	PART NO. (FOR PCS)	DESCRIPTION	PART NO. (MJI)	POS. NO	VERS. COLOR	PART NO. (FOR PCS)	DESCRIPTION	PART NO. (MJI)
			P114- POWER AMP FL FR SBL CIRCUIT BOARD		R113			470Ω ±5% 1/6W	GG05471160
			P114- CAPACITORS		R114			470Ω ±5% 1/6W	GG05471160
C101			ELECT.22μF ±20% 25V ARS	OA22602540	R117			150Ω ±5% 1/6W	GG05151160
C102			FILM,APSV 331J, 330pF(TP) 100V PP	OF15331540	R118			150Ω ±5% 1/6W	GG05151160
C103			ELECT.100μF ±20% 50V RA-2	OA10705020	R123			TRIM.VARI. 470 VERTICAL	RA04710760
C104			FILM,APSV 122J, 1200pF(TP) 100V PP	OF15122540	R124			100Ω ±5% 1/6W	GG05101160
C105			ELECT.10μF ±20% 50V RA-2	OA10605020	R125			100Ω ±5% 1/6W	GG05101160
C106			ELECT.220μF ±20% 100V RA-2	OA22710020	R126			1kΩ ±5% 1/4W	GG05102140
C107			ELECT.220μF ±20% 100V RA-2	OA22710020	R127			47Ω ±5% 1/4W	GG05470140
C111			MICA,10pF D 250WV AUDIO	DF31100520	R128			47Ω ±5% 1/4W	GG05470140
C112			MICA,47pF ±5% 500V FE922H470JS	DF35470520	R129			10Ω ±5% 1/4W	GG05100140
C113			MICA,47pF ±5% 500V FE922H470JS	DF35470520	R130			10Ω ±5% 1/4W	GG05100140
C148			ELECT.100μF ±20% 25V RA-2	OA10702520	R131			220Ω ±5% 1/4W	GG05221140
C149			ELECT.100μF ±20% 25V RA-2	OA10702520	▲ R132			FIXED ,0.10Ω ±10% 5W X2 RGC55 W/TP	BZ10102020
C201			ELECT.22μF ±20% 25V ARS	OA22602540	R142			10Ω ±5% 1/4W	GG05100140
C202			FILM,APSV 331J, 330pF(TP) 100V PP	OF15331540	R143			10Ω ±5% 1/4W	GG05100140
C203			ELECT.100μF ±20% 50V RA-2	OA10705020	R149			10Ω ±5% 1/4W	GG05100140
C204			FILM,APSV 122J 1200pF(TP) 100V PP	OF15122540	R206			330Ω ±5% 1/4W	GG05331140
C205			ELECT.10μF ±20% 50V RA-2	OA10605020	∫				
C206			ELECT.220μF ±20% 100V RA-2	OA22710020	R209				
C207			ELECT.220μF ±20% 100V RA-2	OA22710020	R213			470Ω ±5% 1/6W	GG05471160
C211			MICA,10pF D 250WV AUDIO	DF31100520	R214			470Ω ±5% 1/6W	GG05471160
C212			MICA,47pF ±5% 500V FE922H470JS	DF35470520	R217			150Ω ±5% 1/6W	GG05151160
C301			ELECT.22μF ±20% 25V ARS	OA22602540	R218			150Ω ±5% 1/6W	GG05151160
C302			FILM,APSV 331J, 330pF(TP) 100V PP	OF15331540	R223			TRIM.VARI. 470 VERTICAL	RA04710760
C303			ELECT.100μF ±20% 50V RA-2	OA10705020	R224			100Ω ±5% 1/6W	GG05101160
C304			FILM,APSV 122J 1200pF(TP) 100V PP	OF15122540	R225			100Ω ±5% 1/6W	GG05101160
C305			ELECT.10μF ±20% 50V RA-2	OA10605020	R226			1kΩ ±5% 1/4W	GG05102140
C306			ELECT.220μF ±20% 100V RA-2	OA22710020	R227			47Ω ±5% 1/4W	GG05470140
C307			ELECT.220μF ±20% 100V RA-2	OA22710020	R228			47Ω ±5% 1/4W	GG05470140
C311			MICA,10pF D 250WV AUDIO	DF31100520	R229			10Ω ±5% 1/4W	GG05100140
C312			MICA,47pF ±5% 500V FE922H470JS	DF35470520	R230			10Ω ±5% 1/4W	GG05100140
C313			MICA,47pF ±5% 500V FE922H470JS	DF35470520	R231			220Ω ±5% 1/4W	GG05221140
C348			ELECT.100μF ±20% 25V RA-2	OA10702520	▲ R232			FIXED ,0.10Ω ±10% 5W X2 RGC55 W/TP	BZ10102020
C349			ELECT.100μF ±20% 25V RA-2	OA10702520	R242			10Ω ±5% 1/4W	GG05100140
C401			ELECT.22μF ±20% 25V ARS	OA22602540	R243			10Ω ±5% 1/4W	GG05100140
C402			FILM,APSV 331J, 330pF(TP) 100V PP	OF15331540	R306			330Ω ±5% 1/4W	GG05331140
C403			ELECT.100μF ±20% 50V RA-2	OA10705020	∫				
C404			FILM,APSV 122J 1 200pF(TP) 100V PP	OF15122540	R309				
C406			ELECT.220μF ±20% 100V RA-2	OA22710020	R313			470Ω ±5% 1/6W	GG05471160
C407			ELECT.220μF ±20% 100V RA-2	OA22710020	R314			470Ω ±5% 1/6W	GG05471160
C411			MICA,10pF D 250WV AUDIO	DF31100520	R317			150Ω ±5% 1/6W	GG05151160
***			P114-CAPACITORS(COMMON) PLASTIC FILM CAPACITOR ±5% 50V : C108 C208 C308		R318			150Ω ±5% 1/6W	GG05151160
R106			P114- RESISTORS		R323			TRIM.VARI. 470 VERTICAL	RA04710760
∫			330Ω ±5% 1/4W	GG05331140	R324			100Ω ±5% 1/6W	GG05101160
R109					R325			100Ω ±5% 1/6W	GG05101160
					R326			1kΩ ±5% 1/4W	GG05102140
					R327			47Ω ±5% 1/4W	GG05470140
					R328			47Ω ±5% 1/4W	GG05470140
					R329			10Ω ±5% 1/4W	GG05100140
					R330			10Ω ±5% 1/4W	GG05100140
					R331			220Ω ±5% 1/4W	GG05221140
					▲ R332			FIXED ,0.10Ω ±10% 5W X2 RGC55 W/TP	BZ10102020
					R342			10Ω ±5% 1/4W	GG05100140
					R343			10Ω ±5% 1/4W	GG05100140
					R406			330Ω ±5% 1/4W	GG05331140
					∫				
					R409				
					R413			470Ω ±5% 1/6W	GG05471160
					R414			470Ω ±5% 1/6W	GG05471160
					R417			150Ω ±5% 1/6W	GG05151160

NOTE : *nsp* PART IS LISTED FOR REFERENCE ONLY, MARANTZ WILL NOT SUPPLY THESE PARTS.

PS9200

POS. NO	VERS. COLOR	PART NO. (FOR PCS)	DESCRIPTION	PART NO. (MJI)	POS. NO	VERS. COLOR	PART NO. (FOR PCS)	DESCRIPTION	PART NO. (MJI)
R418			150Ω ±5% 1/6W	GG05151160	Q108			TRS.2SC2240 GR OR BL	HT322402A0
R442			10Ω ±5% 1/4W	GG05100140	Q109			TRS.2SA1145 O OR Y TAPING	HT111452A0
R443			10Ω ±5% 1/4W	GG05100140	Q110			TRS.2SC2705 O OR Y TAPING	HT327052A0
R***			P114- RESISTORS(COMMON)		Q112			TRS.2SC4883 O OR Y	HT348832A0
			CARBON FILM FIXED RES.		Q113			TRS.2SA1859 O OR Y	HT118592A0
			±5% 1/6W : R101 R102 R104		▲ Q114			TRS.O,Y 120V,1A, PC=1.5W(10W)	HT334212A0
			R105 R110 R111 R112 R115		▲ Q115			TRS.O,Y 120V 1A PC=1.5W(10W)	HT113582A0
			R116 R119 R120 R121 R122		▲ Q116			TRS.C2922 OPY 17A 200W LF203	HT329223F0
			R133 R134 R135 R136 R137		▲ Q117			TRS.A1216 OPY 17A 200W LF203	HT112163F0
			R139 R201 R202 R204 R205		Q118			TRS.2SC2240 GR OR BL	HT322402A0
			R210 R211 R212 R215 R216		Q203			TRS.2SA1048 Y OR GR	HT110482B0
			R219 R220 R221 R222 R233		Q204			TRS.2SC2458 Y OR GR	HT324582B0
			R234 R235 R236 R237 R239		Q205			TRS.2SC2240 GR OR BL	HT322402A0
			R301 R302 R304 R305 R310		Q206			TRS.2SA970 (GR) OR (BL)	HT109702A0
			R311 R312 R315 R316 R319		Q207			TRS.2SA970 (GR) OR (BL)	HT109702A0
			R320 R321 R322 R333 R334		Q208			TRS.2SC2240 GR OR BL	HT322402A0
			R335 R336 R337 R339 R401		Q209			TRS.2SA970 (GR) OR (BL)	HT111452A0
			R402 R404 R405 R410 R411		Q210			TRS.2SC2705 O OR Y TAPING	HT327052A0
			R412 R415 R416 R419 R420		Q212			TRS.2SC4883 O OR Y	HT348832A0
			R542 R543 R544 RN40 RN41		Q213			TRS.2SA1859 O OR Y	HT118592A0
					▲ Q214			TRS.O,Y 120V,1A,PC=1.5W(10W)	HT334212A0
	D101			P114- SEMICONDUCTORS		Q215			HT113582A0
				DIODE,1SS176,MA165,	HD20002000	▲ Q216			HT329223F0
				1SS254 30V 0.1A		▲ Q217			HT112163F0
	D104			ZENER,8.2V EQUIVALENT	HD30821000	Q218			HT322402A0
	D105			ZENER,8.2V EQUIVALENT	HD30821000	Q301			HC10053090
	D106			DIODE,HSS81TD 150V 150MA	HD20027010	Q303			HT110482B0
	D107			AXIAL TAPG.		Q304			HT324582B0
D108			DIODE,HSS81TD 150V 150MA	HD20027010	Q305			HT322402A0	
			AXIAL TAPG.		Q306			HT109702A0	
D109			ZENER,4.3V EQUIVALENT	HD30431000	Q307			HT109702A0	
D201					Q308			HT322402A0	
			DIODE,1SS176,MA165,	HD20002000	Q309			HT111452A0	
			1SS254 30V 0.1A		Q310			HT327052A0	
D204			ZENER,8.2V EQUIVALENT	HD30821000	Q312			HT348832A0	
D205			ZENER,8.2V EQUIVALENT	HD30821000	Q313			HT118592A0	
D206			DIODE,HSS81TD 150V 150MA	HD20027010	▲ Q314			HT334212A0	
D207			AXIAL TAPG.		▲ Q315			HT113582A0	
D208			DIODE,HSS81TD 150V 150MA	HD20027010	▲ Q316			HT329223F0	
			AXIAL TAPG.		▲ Q317			HT112163F0	
D209			ZENER,4.3V EQUIVALENT	HD30431000	Q318			HT322402A0	
D301					Q403			HT110482B0	
			DIODE,1SS176,MA165,	HD20002000	Q404			HT324582B0	
			1SS254 30V 0.1A		Q405			HT322402A0	
D304			ZENER,8.2V EQUIVALENT	HD30821000	Q406			HT109702A0	
D305			ZENER,8.2V EQUIVALENT	HD30821000	Q407			HT109702A0	
D306			DIODE,HSS81TD 150V 150MA	HD20027010	Q408			HT322402A0	
D307			AXIAL TAPG.		Q409			HT111452A0	
D308			DIODE,HSS81TD 150V 150MA	HD20027010	Q410			HT327052A0	
			AXIAL TAPG.		QN08			HT109702A0	
D309			ZENER,4.3V EQUIVALENT	HD30431000					
D401			DIODE,1SS176,MA165,	HD20002000					
			1SS254 30V 0.1A						
D402			DIODE,1SS176,MA165,	HD20002000					
			1SS254 30V 0.1A						
Q101			IC,NJM-2068-DD	HC10053090					
Q103			TRS.2SA1048 Y OR GR	HT110482B0					
Q104			TRS.2SC2458 Y OR GR	HT324582B0					
Q105			TRS.2SC2240 GR OR BL	HT322402A0					
Q106			TRS.2SA970 (GR) OR (BL)	HT109702A0					
Q107			TRS.2SA970 (GR) OR (BL)	HT109702A0					
					CN14				
							P114- MISCELLANEOUS		
							ELECT.10μF ±20% 50V RA-2	OA10605020	

NOTE : *nsp* PART IS LISTED FOR REFERENCE ONLY, MARANTZ WILL NOT SUPPLY THESE PARTS.

PS9200

POS. NO	VERS. COLOR	PART NO. (FOR PCS)	DESCRIPTION	PART NO. (MJI)	POS. NO	VERS. COLOR	PART NO. (FOR PCS)	DESCRIPTION	PART NO. (MJI)		
CN18			ELECT.1μF ±20% 50V RA-2	OA10505020				P134- Q111 CIRCUIT BOARD P134- SEMICONDUCTORS TRS.C3419 Y 40V 0.8A PC=1.2W (5W)	HT334191Y0		
CN66			ELECT.1μF ±20% 50V RA-2	OA10505020							
K101			KIT,A1358,C3421 O OR A1358, C3421 Y	HK135819C0	Q111						
K102			KIT,2SA1216/2SC2922 OPY LF203	HK121619F0							
K103			KIT,2SA1859/C4883 O/O OR Y/Y PAIR	HK185919C0			P154- POWER AMP C SL SR, AVSS SENS CIRCUIT BOARD P154- CAPACITORS				
K201			KIT,A1358,C3421 O OR A1358, C3421 Y	HK135819C0	C151					ELECT.22μF ±20% 25V ARS	OA22602540
K202			KIT,2SA1216/2SC2922 OPY LF203	HK121619F0	C152					FILM,APSV 331J, 330pF(TP) 100V PP	OF15331540
K203			KIT,2SA1859/C4883 O/O OR Y/Y PAIR	HK185919C0	C153					ELECT.100μF ±20% 50V RA-2	OA10705020
K301			KIT,A1358,C3421 O OR A1358, C3421 Y	HK135819C0	C154					FILM,APSV 122J 1200pF(TP) 100V PP	OF15122540
K302			KIT,2SA1216/2SC2922 OPY LF203	HK121619F0	C155					ELECT.10μF ±20% 50V RA-2	OA10605020
K303			KIT,2SA1859/C4883 O/O OR Y/Y PAIR	HK185919C0	C156					ELECT.220μF ±20% 100V RA-2	OA22710020
					C157					ELECT.220μF ±20% 100V RA-2	OA22710020
					C161					MICA,10pF D 250WV AUDIO	DF31100520
					C162			MICA,47pF ±5% 500V FE922H470JS	DF35470520		
					C163		MICA,47pF ±5% 500V FE922H470JS	DF35470520			
					C198		ELECT.100μF ±20% 25V RA-2	OA10702520			
CN10			CER.100pF UP050B101K-A	DA16101110	C199		ELECT.100μF ±20% 25V RA-2	OA10702520			
CN11			CER.100pF UP050B101K-A	DA16101110	C213		MICA,47pF ±5% 500V FE922H470JS	DF35470520			
CN12			CER.100pF UP050B101K-A	DA16101110							
					C251		ELECT.22μF ±20% 25V ARS	OA22602540			
					C252		FILM,APSV 331J, 330pF(TP) 100V PP	OF15331540			
					C253		ELECT.100μF ±20% 50V RA-2	OA10705020			
					C254		FILM,APSV 122J 1200pF(TP) 100V PP	OF15122540			
					C255		ELECT.10μF ±20% 50V RA-2	OA10605020			
					C256		ELECT.220μF ±20% 100V RA-2	OA22710020			
					C257		ELECT.220μF ±20% 100V RA-2	OA22710020			
					C261		MICA,10pF D 250WV AUDIO	DF31100520			
					C262		MICA,47pF ±5% 500V FE922H470JS	DF35470520			
					C263		MICA,47pF ±5% 500V FE922H470JS	DF35470520			
					C351		ELECT.22μF ±20% 25V ARS	OA22602540			
					C352		FILM,APSV 331J, 330pF(TP) 100V PP	OF15331540			
					C353		ELECT.100μF ±20% 50V RA-2	OA10705020			
					C354		FILM,APSV 122J 1200pF(TP) 100V PP	OF15122540			
					C355		ELECT.10μF ±20% 50V RA-2	OA10605020			
					C356		ELECT.220μF ±20% 100V RA-2	OA22710020			
					C357		ELECT.220μF ±20% 100V RA-2	OA22710020			
					C361		MICA,10pF D 250WV AUDIO	DF31100520			
					C362		MICA,47pF ±5% 500V FE922H470JS	DF35470520			
					C363		MICA,47pF ±5% 500V FE922H470JS	DF35470520			
					C389		ELECT.100μF ±20% 25V RA-2	OA10702520			
					C399		ELECT.100μF ±20% 25V RA-2	OA10702520			
					C501						
					}		CER.100pF UP050B101K-A	DA16101110			
J149			TERMINAL,SPKROUT FL FR	YT01040880							
J349			TERMINAL,SPKROUT SBL SBR	YT01040880							
▲ LN01			RELAY,VB 24MBU-510 5A/240VAC	LY20240310							
▲ LN03			RELAY,VB 24MBU-510 5A/240VAC	LY20240310							
LP91			RELAY,HP OUT RELAY	LY20240490							
					CN01		ELECT.100μF ±20% 50V RA-2	OA10705020			
					CN02		CER.0.01μF Z 50V	DK18103310			

NOTE : *nsp* PART IS LISTED FOR REFERENCE ONLY, MARANTZ WILL NOT SUPPLY THESE PARTS.

PS9200

POS. NO	VERS. COLOR	PART NO. (FOR PCS)	DESCRIPTION	PART NO. (MJI)	POS. NO	VERS. COLOR	PART NO. (FOR PCS)	DESCRIPTION	PART NO. (MJI)
CN03			ELECT.0.47µF ±20% 50V RA-2	OA47405020	R368			150Ω ±5% 1/6W	GG05151160
CN04			ELECT.0.47µF ±20% 50V RA-2	OA47405020	R373			TRIM.VARI. 470 VERTICAL	RA04710760
CN05			ELECT.1µF ±20% 50V RA-2	OA10505020	R374			100Ω ±5% 1/6W	GG05101160
CN06			CER.0.01µF Z 50V	DK18103310	R375			100Ω ±5% 1/6W	GG05101160
CN15			ELECT.10µF ±20% 50V RA-2	OA10605020	R376			1kΩ ±5% 1/4W	GG05102140
CN17			CER.0.01µF Z 50V	DK18103310	R377			47Ω ±5% 1/4W	GG05470140
CN61			ELECT.100µF ±20% 25V RA-2	OA10702520	R378			47Ω ±5% 1/4W	GG05470140
CN62			CER.0.01µF Z 50V	DK18103310	R379			10Ω ±5% 1/4W	GG05100140
CN63			ELECT.1µF ±20% 50V RA-2	OA10505020	R380			10Ω ±5% 1/4W	GG05100140
CN64			ELECT.1µF ±20% 50V RA-2	OA10505020	R381			220Ω ±5% 1/4W	GG05221140
CN65			ELECT.1µF ±20% 50V RA-2	OA10505020	▲ R382			FIXED ,0.10Ω ±10% 5W X2 RGC55 W/TP	BZ10102020
			P154-CAPACITORS(COMMON)		R392			10Ω ±5% 1/4W	GG05100140
			PLASTIC FILM CAPACITOR		R393			10Ω ±5% 1/4W	GG05100140
			±5% 50V : C158 C258 C358		RN83			4.7Ω ±5% 1/2W	GG05047120
			P154- RESISTORS					P154- RESISTORS(COMMON)	
								CARBON FILM FIXED RES.	
R156			330Ω ±5% 1/4W	GG05331140				±5% 1/6W : R151 R152 R154	
}								R155 R160-R162 R165 R166	
R159								R169-R172 R183-R187 R189	
R163			470Ω ±5% 1/6W	GG05471160				R251 R252 R254 R255 R260	
R164			470Ω ±5% 1/6W	GG05471160				R261 R262 R265 R266 R269	
R167			150Ω ±5% 1/6W	GG05151160				R270 R271 R272 R283-R287	
R168			150Ω ±5% 1/6W	GG05151160				R289 R351 R352 R354 R355	
R173			TRIM.VARI. 470 VERTICAL	RA04710760				R360 R361 R362 R365 R366	
R174			100Ω ±5% 1/6W	GG05101160				R369-R372 R383-R387 R389	
R175			100Ω ±5% 1/6W	GG05101160				R501-R509 R517 R530-R535	
R176			1kΩ ±5% 1/4W	GG05102140				R540 R541 R545 R549	
R177			47Ω ±5% 1/4W	GG05470140				RN01-RN16 RN18-RN23 RN42	
R178			47Ω ±5% 1/4W	GG05470140				RN43 RN61 RN63-RN71 RN76	
R179			10Ω ±5% 1/4W	GG05100140				RN77 RN80 RN84 RN85	
R180			10Ω ±5% 1/4W	GG05100140				P154- SEMICONDUCTORS	
R181			220Ω ±5% 1/4W	GG05221140					
▲ R182			FIXED ,0.10Ω ±10% 5W X2 RGC55 W/TP	BZ10102020	D151			DIODE,1SS176,MA165,1SS254 30V 0.1A	HD20002000
R192			10Ω ±5% 1/4W	GG05100140	}				
R193			10Ω ±5% 1/4W	GG05100140	D154			ZENER,8.2V EQUIVALENT	HD30821000
R199			10Ω ±5% 1/4W	GG05100140	D155			ZENER,8.2V EQUIVALENT	HD30821000
R256					D156			DIODE,HSS81TD 150V 150MA AXIAL TAPG.	HD20027010
}			330Ω ±5% 1/4W	GG05331140	D157			DIODE,HSS81TD 150V 150MA AXIAL TAPG.	HD20027010
R259					D158			DIODE,HSS81TD 150V 150MA AXIAL TAPG.	HD20027010
R263			470Ω ±5% 1/6W	GG05471160				ZENER,4.3V EQUIVALENT	HD30431000
R264			470Ω ±5% 1/6W	GG05471160	D159				
R267			150Ω ±5% 1/6W	GG05151160	D251			DIODE,1SS176,MA165,1SS254 30V 0.1A	HD20002000
R268			150Ω ±5% 1/6W	GG05151160	}				
R273			TRIM.VARI. 470 VERTICAL	RA04710760	D254			ZENER,8.2V EQUIVALENT	HD30821000
R274			100Ω ±5% 1/6W	GG05101160	D255			ZENER,8.2V EQUIVALENT	HD30821000
R275			100Ω ±5% 1/6W	GG05101160	D256			DIODE,HSS81TD 150V 150MA AXIAL TAPG.	HD20027010
R276			1kΩ ±5% 1/4W	GG05102140	D257			DIODE,HSS81TD 150V 150MA AXIAL TAPG.	HD20027010
R277			47Ω ±5% 1/4W	GG05470140	D258			ZENER,4.3V EQUIVALENT	HD30431000
R278			47Ω ±5% 1/4W	GG05470140	D259				
R279			10Ω ±5% 1/4W	GG05100140	D351			DIODE,1SS176,MA165,1SS254 30V 0.1A	HD20002000
R280			10Ω ±5% 1/4W	GG05100140	}				
R281			220Ω ±5% 1/4W	GG05221140	D354			ZENER,8.2V EQUIVALENT	HD30821000
▲ R282			FIXED ,0.10Ω ±10% 5W X2 RGC55 W/TP	BZ10102020	D355			ZENER,8.2V EQUIVALENT	HD30821000
R292			10Ω ±5% 1/4W	GG05100140	D356			DIODE,HSS81TD 150V 150MA AXIAL TAPG.	HD20027010
R293			10Ω ±5% 1/4W	GG05100140	D357			DIODE,HSS81TD 150V 150MA AXIAL TAPG.	HD20027010
R356					D358				
}			330Ω ±5% 1/4W	GG05331140					
R359									
R363			470Ω ±5% 1/6W	GG05471160					
R364			470Ω ±5% 1/6W	GG05471160					
R367			150Ω ±5% 1/6W	GG05151160					

NOTE : "nsp" PART IS LISTED FOR REFERENCE ONLY, MARANTZ WILL NOT SUPPLY THESE PARTS.

PS9200

POS. NO	VERS. COLOR	PART NO. (FOR PCS)	DESCRIPTION	PART NO. (MJI)	POS. NO	VERS. COLOR	PART NO. (FOR PCS)	DESCRIPTION	PART NO. (MJI)
D359			ZENER,4.3V EQUIVALENT	HD30431000	Q368			TRS.2SC2240 GR OR BL	HT322402A0
D511			DIODE,1SS176,MA165,1SS254	HD20002000	Q501			IC,NJM2901	HC10009090
			30V 0.1A		Q502			QUAD COMPARATOR	HC10009090
D517			ZENER,8.2V EQUIVALENT	HD30821000	QN01			IC,NJM2901	HC10042050
DN61			ZENER,4.7V EQUIVALENT	HD30471000	QN02			QUAD COMPARATOR	HC10042050
DN62			IC,NJM-2068-DD	HC10053090	QN03			TRS.2SC2458 Y OR GR	HT324582B0
Q151			TRS.2SA1048 Y OR GR	HT110482B0	QN09			TRS.2SC2458 Y OR GR	HT324582B0
Q153			TRS.2SC2458 Y OR GR	HT324582B0	QN11			TRS.2SA970 (GR) OR (BL)	HT109702A0
Q154			TRS.2SC2458 Y OR GR	HT324582B0	QN61			DIG.TRS.DTC114ES/UN4211	BA20001000
Q155			TRS.2SC2240 GR OR BL	HT322402A0				10K,10K	
Q156			TRS.2SA970 (GR) OR (BL)	HT109702A0	QN61			IC,NJM2901	HC10009090
Q157			TRS.2SA970 (GR) OR (BL)	HT109702A0	QN62			QUAD COMPARATOR	BA20001000
Q158			TRS.2SC2240 GR OR BL	HT322402A0	QN62			DIG.TRS.DTC114ES/UN4211	BA20001000
Q159			TRS.2SA1145 O OR Y TAPING	HT111452A0	QN63			10K,10K	
Q160			TRS.2SC2705 O OR Y TAPING	HT327052A0	QN63			DIG.TRS.DTC114ES/UN4211	BA20001000
Q162			TRS.2SC4883 O OR Y	HT348832A0	QN64			10K,10K	
Q163			TRS.2SA1859 O OR Y	HT118592A0	QN64			TRS.C3419 Y 40V 0.8A	HT334191Y0
▲ Q164			TRS.O,Y 120V,1A,	HT334212A0				PC=1.2W (5W)	
▲ Q165			PC=1.5W(10W)		K151			P154- MISCELLANEOUS	
▲ Q166			TRS.O,Y 120V 1A	HT113582A0	K151			KIT,A1358,C3421 O OR A1358,	HK135819C0
▲ Q167			PC=1.5W(10W)		K152			C3421 Y	HK121619F0
Q168			TRS.C2922 OPY 17A 200W	HT329223F0	K152			KIT,2SA1216/2SC2922 OPY	HK121619F0
Q253			LF203		K153			LF203	
Q254			TRS.A1216 OPY 17A 200W	HT112163F0	K153			KIT,2SA1859/C4883	HK185919C0
Q255			LF203		K251			O/O OR Y/Y PAIR	
Q256			TRS.2SC2240 GR OR BL	HT322402A0	K251			KIT,A1358,C3421 O OR A1358,	HK135819C0
Q257			TRS.2SA1048 Y OR GR	HT110482B0	K252			C3421 Y	
Q258			TRS.2SC2458 Y OR GR	HT324582B0	K252			KIT,2SA1216/2SC2922 OPY	HK121619F0
Q259			TRS.2SC2240 GR OR BL	HT322402A0	K253			LF203	
Q260			TRS.2SA970 (GR) OR (BL)	HT109702A0	K253			KIT,2SA1859/C4883	HK185919C0
Q262			TRS.2SA970 (GR) OR (BL)	HT109702A0	K351			O/O OR Y/Y PAIR	
Q263			TRS.2SC2240 GR OR BL	HT322402A0	K351			KIT,A1358,C3421 O OR A1358,	HK135819C0
▲ Q264			TRS.2SA1145 O OR Y TAPING	HT111452A0	K352			C3421 Y	
▲ Q265			TRS.2SC2705 O OR Y TAPING	HT327052A0	K352			KIT,2SA1216/2SC2922 OPY	HK121619F0
▲ Q266			TRS.2SC4883 O OR Y	HT348832A0	K353			LF203	
▲ Q267			TRS.2SA1859 O OR Y	HT118592A0				KIT,2SA1859/C4883	HK185919C0
Q268			TRS.O,Y 120V,1A,	HT334212A0	CN13			O/O OR Y/Y PAIR	
Q351			PC=1.5W(10W)					P164- SPKOUTS SURR	
Q353			TRS.O,Y 120V 1A	HT113582A0				CENTER MULTI	
Q354			PC=1.5W(10W)					CIRCUIT BOARD	
Q355			TRS.C2922 OPY 17A 200W	HT329223F0				P164- CAPACITORS	
Q356			LF203					CER.100pF UP050B101K-A	DA16101110
Q357			TRS.A1216 OPY 17A 200W	HT112163F0				P164-CAPACITORS(COMMON)	
Q358			LF203					PLASTIC FILM CAPACITOR	
Q359			TRS.2SC2240 GR OR BL	HT322402A0				±5% 50V : C159 C160 C259	
Q360			IC,NJM-2068-DD	HC10053090				C260 C359 C360	
Q362			TRS.2SA1048 Y OR GR	HT110482B0				P164- RESISTORS	
Q363			TRS.2SC2458 Y OR GR	HT324582B0				10Ω ±5% 1W	GA05100010
▲ Q364			TRS.2SC2240 GR OR BL	HT322402A0				10Ω ±5% 1W	GA05100010
▲ Q365			TRS.2SA970 (GR) OR (BL)	HT109702A0				10Ω ±5% 1W	GA05100010
▲ Q366			TRS.2SA970 (GR) OR (BL)	HT109702A0				330Ω ±5% 1/4W	GG05331140
▲ Q367			TRS.2SC2240 GR OR BL	HT322402A0				330Ω ±5% 1/4W	GG05331140
			TRS.2SA1145 O OR Y TAPING	HT111452A0				330Ω ±5% 1/4W	GG05331140
			TRS.2SC2705 O OR Y TAPING	HT327052A0				P164- RESISTORS(COMMON)	
			TRS.2SC4883 O OR Y	HT348832A0				CARBON FILM FIXED RES.	
			TRS.2SA1859 O OR Y	HT118592A0				±5% 1/6W : RN33 RN34	
			TRS.O,Y 120V,1A,	HT334212A0				P164- SEMICONDUCTORS	
			PC=1.5W(10W)					DIODE,1D3 1A/200V	HD20002710
			TRS.O,Y 120V 1A	HT113582A0				DIODE,1D3 1A/200V	HD20002710
			PC=1.5W(10W)						
			TRS.C2922 OPY 17A 200W	HT329223F0					
			LF203						
			TRS.A1216 OPY 17A 200W	HT112163F0					
			LF203						

NOTE : "nsp" PART IS LISTED FOR REFERENCE ONLY, MARANTZ WILL NOT SUPPLY THESE PARTS.

PS9200

POS. NO	VERS. COLOR	PART NO. (FOR PCS)	DESCRIPTION	PART NO. (MJI)	POS. NO	VERS. COLOR	PART NO. (FOR PCS)	DESCRIPTION	PART NO. (MJI)
DN09 QN07			DIODE,1D3 1A/200V TRS.2SC2458 Y OR GR	HD20002710 HT324582B0	R428 R429 R430 R431 ▲ R432			47Ω ±5% 1/4W 10Ω ±5% 1/4W 10Ω ±5% 1/4W 220Ω ±5% 1/4W FIXED ,0.10Ω ±10% 5W X2 RGC55 W/TP	GG05470140 GG05100140 GG05100140 GG05221140 BZ10102020
J199			P164- MISCELLANEOUS TERMINAL,SPKROUT CENTER SL SR	YT01060030	▲ R432				
J299 ▲ LN02			TERMINAL,SPKROUT ML MR RELAY, VB 24MBU-510 5A/240VAC	YT01040880 LY20240310				P414- RESISTORS(COMMON) CARBON FILM FIXED RES. ±5% 1/6W : R421 R422 R433 R434 R435 R436 R437 R439 R548 RN44 RN45	
▲ LN04			RELAY, VB 24MBU-510 5A/240VAC	LY20240310					
▲ LN05			RELAY, VB 24MBU-510 5A/240VAC	LY20240310					
			P174- Q161 CIRCUIT BOARD P174- SEMICONDUCTORS		D403			P414- SEMICONDUCTORS DIODE,1SS176,MA165,1SS254 30V 0.1A	HD20002000
Q161			TRS.C3419 Y 40V 0.8A PC=1.2W (5W)	HT334191Y0	D404			DIODE,1SS176,MA165,1SS254 30V 0.1A	HD20002000
			P214- Q211 CIRCUIT BOARD P214- SEMICONDUCTORS		D405 D406 D407			ZENER,8.2V EQUIVALENT ZENER,8.2V EQUIVALENT DIODE,HSS81TD 150V 150MA AXIAL TAPG.	HD30821000 HD30821000 HD20027010
Q211			TRS.C3419 Y 40V 0.8A PC=1.2W (5W)	HT334191Y0	D408			DIODE,HSS81TD 150V 150MA AXIAL TAPG.	HD20027010
			P254- Q261 CIRCUIT BOARD P254- SEMICONDUCTORS		D409 Q411			ZENER,4.3V EQUIVALENT TRS.C3419 Y 40V 0.8A PC=1.2W (5W)	HD30431000 HT334191Y0
Q261			TRS.C3419 Y 40V 0.8A PC=1.2W (5W)	HT334191Y0	Q412 Q413 ▲ Q414			TRS.2SC4883 O OR Y TRS.2SA1859 O OR Y TRS.O,Y 120V,1A, PC=1.5W(10W)	HT348832A0 HT118592A0 HT334212A0
			P314- Q311 CIRCUIT BOARD P314- SEMICONDUCTORS		▲ Q415 ▲ Q416 ▲ Q417			TRS.O,Y 120V 1A PC=1.5W(10W) TRS. 2SC2922 O,Y TRS. 2SA1216 O,Y	HT113582A0 HT329222A0 HT112162A0
Q311			TRS.C3419 Y 40V 0.8A PC=1.2W (5W)	HT334191Y0	Q418 QN10			TRS.2SC2240 GR OR BL TRS.2SA970 (GR) OR (BL)	HT322402A0 HT109702A0
			P354- Q361 CIRCUIT BOARD P354- SEMICONDUCTORS		K401 K402 K403			P414- MISCELLANEOUS KIT,2SA1358 O,2SC3421 O KIT,2SA1216/2SC2922(O,Y) PAIR KIT,2SA1859/C4883 O/O OR Y/Y PAIR	HK135819A0 HK121619F0 HK185919C0
Q361			TRS.C3419 Y 40V 0.8A PC=1.2W (5W)	HT334191Y0					
			P414- SBR POWER AMP CIRCUIT BOARD P414- CAPACITORS					P604- DSP AND μ-COM CIRCUIT BOARD P604- CAPACITORS	
C405 C412			ELECT.10μF ±20% 50V RA-2 MICA,47pF ±5% 500V FE922H470JS	OA10605020 DF35470520	C610 C611 C612 C613 C614 C615 C616 C617 C618 C619 C620 C621 C622 C640 C641 C642 C643			CER.GRM39F104Z16 0.1μF ELECT.47μF ±20% 16V RA-2 CER.GRM39F104Z16 0.1μF ELECT.47μF ±20% 16V RA-2 CER.GRM39F104Z16 0.1μF ELECT.47μF ±20% 16V RA-2 CER.470pF (GR39) CER.0.01μF ELECT.2.2μF ±20% 50V RA-2 CER.GRM39F104Z16 0.1μF ELECT.47μF ±20% 16V RA-2 CER.GRM39F104Z16 0.1μF ELECT.47μF ±20% 16V RA-2 CER.GRM39F104Z16 0.1μF ELECT.47μF ±20% 16V RA-2 CER.GRM39F104Z16 0.1μF ELECT.47μF ±20% 16V RA-2	DK98104200 OA47601620 DK98104200 OA47601620 DK98104200 OA47601620 DK96471300 DK98103300 OA22505020 DK98104200 OA47601620 DK98104200 DK98104200 OA47601620 DK98104200 DK98104200
C413			MICA,47pF ±5% 500V FE922H470JS	DF35470520					
C414 C415 CN16			ELECT,47μF/100V ELECT,47μF/100V ELECT.10μF ±20% 50V RA-2	EA47610010 EA47610010 OA10605020					
			P414-CAPACITORS(COMMON) PLASTIC FILM CAPACITOR ±5% 50V : C408						
			P414- RESISTORS						
R423 R424 R425 R426 R427			TRIM.470Ω RH0638CS2R 100Ω ±5% 1/6W 100Ω ±5% 1/6W 1kΩ ±5% 1/4W 47Ω ±5% 1/4W	RA04710780 GG05101160 GG05101160 GG05102140 GG05470140					

NOTE : *nsp* PART IS LISTED FOR REFERENCE ONLY, MARANTZ WILL NOT SUPPLY THESE PARTS.

PS9200

POS. NO	VERS. COLOR	PART NO. (FOR PCS)	DESCRIPTION	PART NO. (MJI)	POS. NO	VERS. COLOR	PART NO. (FOR PCS)	DESCRIPTION	PART NO. (MJI)
C644			CER.GRM39F104Z16 0.1µF	DK98104200	CU21			CER.GRM39F104Z16 0.1µF	DK98104200
C645			ELECT.47µF ±20% 16V RA-2	OA47601620	CU25			CER.1000pF ±10% B 50V GR36	DK96102300
C646			CER.470pF (GR39)	DK96471300	CU26			CER.GRM39F104Z16 0.1µF	DK98104200
C647			CER.0.01µF	DK98103300	CU27			CER.GRM39F104Z16 0.1µF	DK98104200
C648			ELECT.2.2µF ±20% 50V RA-2	OA22505020	CU31			CER.GRM39F104Z16 0.1µF	DK98104200
C649			CER.GRM39F104Z16 0.1µF	DK98104200	CU32			ELECT.47µF ±20% 16V RA-2	OA47601620
C650			ELECT.47µF ±20% 16V RA-2	OA47601620	CU33			CER.GRM39F104Z16 0.1µF	DK98104200
C651			CER.GRM39F104Z16 0.1µF	DK98104200	CU34			ELECT.47µF ±20% 16V RA-2	OA47601620
C652			CER.GRM39F104Z16 0.1µF	DK98104200	CU35			CER.GRM39F104Z16 0.1µF	DK98104200
C670			CER.GRM39F104Z16 0.1µF	DK98104200	CU36			ELECT.47µF ±20% 16V RA-2	OA47601620
C671			ELECT.47µF ±20% 16V RA-2	OA47601620	CU37			CER.GRM39F104Z16 0.1µF	DK98104200
C672			CER.GRM39F104Z16 0.1µF	DK98104200	CU38			ELECT.47µF ±20% 16V RA-2	OA47601620
C673			ELECT.47µF ±20% 16V RA-2	OA47601620	CU39			CER.GRM39F104Z16 0.1µF	DK98104200
C674			CER.GRM39F104Z16 0.1µF	DK98104200	CU40			ELECT.47µF ±20% 25V RA-2	OA47602520
C675			ELECT.47µF ±20% 16V RA-2	OA47601620	CU41			CER.GRM39F104Z16 0.1µF	DK98104200
C676					CU42			ELECT.47µF ±20% 16V RA-2	OA47601620
}			CER.GRM39F104Z16 0.1µF	DK98104200	CU43			CER.GRM39F104Z16 0.1µF	DK98104200
C685					CU44			CER.GRM39F104Z16 0.1µF	DK98104200
C691			ELECT.47µF ±20% 16V RA-2	OA47601620	CU45			ELECT.47µF ±20% 16V RA-2	OA47601620
C692			CER.GRM39F104Z16 0.1µF	DK98104200	CU46			CER.GRM39F104Z16 0.1µF	DK98104200
C693			ELECT.47µF ±20% 16V RA-2	OA47601620	CU47			ELECT.47µF ±20% 16V RA-2	OA47601620
CR30			CER.68pF (GR39)	DD95680300	CU50			CER.GRM39F104Z16 0.1µF	DK98104200
CR31			CER.GRM39F104Z16 0.1µF	DK98104200	CU51			ELECT.47µF ±20% 16V RA-2	OA47601620
CR32			CER.GRM39F104Z16 0.1µF	DK98104200	CU52				
CR33			CER.470pF (GR39)	DK96471300	}			CER.GRM39F104Z16 0.1µF	DK98104200
CR34			CER.GRM39F104Z16 0.1µF	DK98104200	CU60				
CR35			CER.GRM39F104Z16 0.1µF	DK98104200	CU61			CHIP,0Ω ±5% 1/16W	NN05000610
CR36			ELECT.47µF ±20% 16V RA-2	OA47601620	CU62			CER.GRM39F104Z16 0.1µF	DK98104200
CR44			CER.GRM39F104Z16 0.1µF	DK98104200	CU63			CER.GRM39F104Z16 0.1µF	DK98104200
CR50			CER.GRM39F104Z16 0.1µF	DK98104200	CU64			CHIP,0Ω ±5% 1/16W	NN05000610
CR51			CER.0.01µF	DK98103300	CU70			CER.GRM39F104Z16 0.1µF	DK98104200
CR52			CER.0.01µF	DK98103300	CU71			CER.GRM39F104Z16 0.1µF	DK98104200
CR53			CER.GRM39F104Z16 0.1µF	DK98104200	CU80			CER.GRM39F104Z16 0.1µF	DK98104200
CR54			CER.GRM39F104Z16 0.1µF	DK98104200	CU81			CER.GRM39F104Z16 0.1µF	DK98104200
CR55			ELECT.47µF ±20% 16V RA-2	OA47601620					
CR56			CER.GRM39F104Z16 0.1µF	DK98104200					
CR57			ELECT.47µF ±20% 16V RA-2	OA47601620	R601				
CR58			CER.22pF ±5% CG 50V GR39	DD95220300	}			CHIP,2.2kΩ ±5% 1/16W	NN05222610
CR59			CER.22pF ±5% CG 50V GR39	DD95220300	R607				
CR60			CER.GRM39F104Z16 0.1µF	DK98104200	R610			CHIP,27Ω ±5% 1/16W	NN05270610
CR61			ELECT.47µF ±20% 16V RA-2	OA47601620	R611			CHIP,4.7kΩ ±5% 1/16W	NN05472610
CR62			CER.GRM39F104Z16 0.1µF	DK98104200	R614				
CR63			ELECT.47µF ±20% 16V RA-2	OA47601620	}			CHIP,4.7kΩ ±5% 1/16W	NN05472610
CR64			CER.GRM39F104Z16 0.1µF	DK98104200	R623				
CR70			CER.GRM39F104Z16 0.1µF	DK98104200	R624			CHIP,22kΩ ±5% 1/16W	NN05223610
CU01			CER.GRM39F104Z16 0.1µF	DK98104200	R626			CHIP,10kΩ ±5% 1/16W	NN05103610
CU02			ELECT.47µF ±20% 16V RA-2	OA47601620	R629			CHIP,22kΩ ±5% 1/16W	NN05223610
CU03			CER.GRM39F104Z16 0.1µF	DK98104200	R630			CHIP,33kΩ ±5% 1/16W	NN05333610
CU04			ELECT.47µF ±20% 16V RA-2	OA47601620	R631			CHIP,22kΩ ±5% 1/16W	NN05223610
CU05			CER.GRM39F104Z16 0.1µF	DK98104200	R632			CHIP,4.7kΩ ±5% 1/16W	NN05472610
CU06			CER.GRM39F104Z16 0.1µF	DK98104200	R633			CHIP,4.7kΩ ±5% 1/16W	NN05472610
CU07			ELECT.47µF ±20% 16V RA-2	OA47601620	R636			CHIP,27Ω ±5% 1/16W	NN05270610
CU08			CER.GRM39F104Z16 0.1µF	DK98104200	R637			CHIP,10Ω ±5% 1/16W	NN05100610
CU09			CER.470pF (GR39)	DK96471300	R638			CHIP,27Ω ±5% 1/16W	NN05270610
CU12			CER.GRM39F104Z16 0.1µF	DK98104200	R640			CHIP,27Ω ±5% 1/16W	NN05270610
CU13			CER.GRM39F104Z16 0.1µF	DK98104200	R641			CHIP,4.7kΩ ±5% 1/16W	NN05472610
CU14			CER.GRM39F104Z16 0.1µF	DK98104200	R644				
CU15			ELECT.47µF ±20% 16V RA-2	OA47601620	}			CHIP,4.7kΩ ±5% 1/16W	NN05472610
CU16			CER.GRM39F104Z16 0.1µF	DK98104200	R653				
CU17			ELECT.10µF ±20% 16V RA-2	OA10601620	R654			CHIP,22kΩ ±5% 1/16W	NN05223610
CU18			ELECT.47µF ±20% 16V RA-2	OA47601620	R656			CHIP,10kΩ ±5% 1/16W	NN05103610
CU19			ELECT.47µF ±20% 16V RA-2	OA47601620	R657			CHIP,22kΩ ±5% 1/16W	NN05223610
CU20			CER.GRM39F104Z16 0.1µF	DK98104200	R658			CHIP,33kΩ ±5% 1/16W	NN05333610

NOTE : *nsp* PART IS LISTED FOR REFERENCE ONLY, MARANTZ WILL NOT SUPPLY THESE PARTS.

PS9200

POS. NO	VERS. COLOR	PART NO. (FOR PCS)	DESCRIPTION	PART NO. (MJI)	POS. NO	VERS. COLOR	PART NO. (FOR PCS)	DESCRIPTION	PART NO. (MJI)
R659			CHIP,22kΩ ±5% 1/16W	NN05223610	RU17			CHIP,4.7kΩ ±5% 1/16W	NN05472610
R660			CHIP,4.7kΩ ±5% 1/16W	NN05472610	RU20			CHIP,12kΩ ±5% 1/16W	NN05123610
R661			CHIP,4.7kΩ ±5% 1/16W	NN05472610	RU21			CHIP,12kΩ ±5% 1/16W	NN05123610
R662			CHIP,27Ω ±5% 1/16W	NN05270610	RU22			CHIP,1kΩ ±5% 1/16W	NN05102610
R663			CHIP,27Ω ±5% 1/16W	NN05270610	RU24			CHIP,100kΩ ±5% 1/16W	NN05104610
R664			CHIP,27Ω ±5% 1/16W	NN05270610	RU25				
R665			CHIP,47Ω ±5% 1/16W	NN05470610	}			CHIP,4.7kΩ ±5% 1/16W	NN05472610
R666			CHIP,47Ω ±5% 1/16W	NN05470610	RU28				
R671					RU29			CHIP,1MΩ ±5% 1/16W	NN05105610
}			CHIP,22kΩ ±5% 1/16W	NN05223610	RU31			CHIP,22kΩ ±5% 1/16W	NN05223610
R679					RU32			CHIP,22kΩ ±5% 1/16W	NN05223610
R681			CHIP,33Ω ±5% 1/16W	NN05330610	RU37			CHIP,22kΩ ±5% 1/16W	NN05223610
R682			CHIP,27Ω ±5% 1/16W	NN05270610	RU38			CHIP,100Ω ±5% 1/16W	NN05101610
R683			CHIP,27Ω ±5% 1/16W	NN05270610	RU39			CHIP,22kΩ ±5% 1/16W	NN05223610
R684			CHIP,10Ω ±5% 1/16W	NN05100610	RU41			CHIP,1.2kΩ ±5% 1/16W	NN05122610
R685			CHIP,27Ω ±5% 1/16W	NN05270610	RU42			CHIP,390Ω ±5% 1/16W	NN05391610
R686			CHIP,27Ω ±5% 1/16W	NN05270610	RU43			CHIP,1.2kΩ ±5% 1/16W	NN05122610
R687			CHIP,27Ω ±5% 1/16W	NN05270610	RU44			CHIP,2.2kΩ ±5% 1/16W	NN05222610
R688			CHIP,10kΩ ±5% 1/16W	NN05103610	RU50			CHIP,4.7kΩ ±5% 1/16W	NN05472610
R689			CHIP,10kΩ ±5% 1/16W	NN05103610	RU51			CHIP,4.7kΩ ±5% 1/16W	NN05472610
R691					RU56			CHIP,22kΩ ±5% 1/16W	NN05223610
}			CHIP,22kΩ ±5% 1/16W	NN05223610	RU57			CHIP,22kΩ ±5% 1/16W	NN05223610
R694					RU58			CHIP,4.7kΩ ±5% 1/16W	NN05472610
RR30			CHIP,75Ω ±5% 1/16W	NN05750610	RU60			CHIP,47Ω ±5% 1/16W	NN05470610
RR31			CHIP,27Ω ±5% 1/16W	NN05270610	RU61			CHIP,220Ω ±5% 1/16W	NN05221610
RR32			CHIP,22kΩ ±5% 1/16W	NN05223610	RU62			CHIP,47Ω ±5% 1/16W	NN05470610
RR33			CHIP,22kΩ ±5% 1/16W	NN05223610	RU63			CHIP,18kΩ ±5% 1/16W	NN05183610
RR50			CHIP,8.2kΩ ±5% 1/16W	NN05822610	RU64			CHIP,220Ω ±5% 1/16W	NN05221610
RR51			CHIP,5.1kΩ ±5% 1/16W	NN0551261R	RU65			CHIP,47kΩ ±5% 1/16W	NN05473610
RR52			CHIP,5.1kΩ ±5% 1/16W	NN0551261R	RU66			CHIP,47kΩ ±5% 1/16W	NN05473610
RR53			CHIP,75Ω ±5% 1/16W	NN05750610	RU67			CHIP,220Ω ±5% 1/16W	NN05221610
RR54			CHIP,33Ω ±5% 1/16W	NN05330610	RU70			CHIP,22kΩ ±5% 1/16W	NN05223610
RR55			CHIP,22Ω ±5% 1/16W	NN05220610	RU71			CHIP,22kΩ ±5% 1/16W	NN05223610
RR56			CHIP,22Ω ±5% 1/16W	NN05220610	RU72				
RR57			CHIP,22Ω ±5% 1/16W	NN05220610	}			CHIP,0Ω ±5% 1/16W	NN05000610
RR58			CHIP,33Ω ±5% 1/16W	NN05330610	RU78				
RR59			CHIP,1MΩ ±5% 1/16W	NN05105610	RU80			68Ω ±5% 1/4W	GG05680140
RR60			CHIP,2.2kΩ ±5% 1/16W	NN05222610	RU81			CHIP,10kΩ ±5% 1/16W	NN05103610
RR61			CHIP,22kΩ ±5% 1/16W	NN05223610	RU82			CHIP,22kΩ ±5% 1/16W	NN05223610
RR63			CHIP,22kΩ ±5% 1/16W	NN05223610	RU83			CHIP,6.8kΩ ±5% 1/16W	NN05682610
RR65			CHIP,22kΩ ±5% 1/16W	NN05223610	RU84			2.2Ω ±5% 1/4W	GG05022140
RR66			CHIP,10kΩ ±5% 1/16W	NN05103610	RU85			CHIP,22kΩ ±5% 1/16W	NN05223610
RR72			CHIP,22Ω ±5% 1/16W	NN05220610	RU87			68Ω ±5% 1/4W	GG05680140
RR73			CHIP,33Ω ±5% 1/16W	NN05330610	RU88			CHIP,10kΩ ±5% 1/16W	NN05103610
RR74			CHIP,22Ω ±5% 1/16W	NN05220610	RU89			CHIP,22kΩ ±5% 1/16W	NN05223610
RR75			CHIP,10Ω ±5% 1/16W	NN05100610	RU90			CHIP,6.8kΩ ±5% 1/16W	NN05682610
RR76			CHIP,22Ω ±5% 1/16W	NN05220610	RU91			2.2Ω ±5% 1/4W	GG05022140
RR77			CHIP,33Ω ±5% 1/16W	NN05330610	RU92			CHIP,22kΩ ±5% 1/16W	NN05223610
RU01			CHIP,12kΩ ±5% 1/16W	NN05123610	RU94			2.2Ω ±5% 1/4W	GG05022140
RU02			CHIP,12kΩ ±5% 1/16W	NN05123610	RU95			CHIP,220Ω ±5% 1/16W	NN05221610
RU03			CHIP,12kΩ ±5% 1/16W	NN05123610					
RU04			CHIP,2.2kΩ ±5% 1/16W	NN05222610					
RU05			CHIP,2.2kΩ ±5% 1/16W	NN05222610					
RU06			CHIP,100Ω ±5% 1/16W	NN05101610	DU01			P604- SEMICONDUCTORS	
RU07			CHIP,3kΩ ±5% 1/16W	NN05302610	DU80			CHIP DIODE,1SS301	HZ20028050
RU08			CHIP,0Ω ±5% 1/16W	NN05000610	DU81			CHIP DIODE,1SS301	HZ20028050
RU09			CHIP,4.7kΩ ±5% 1/16W	NN05472610	Q600			CHIP FET (2SK),HN1K05FU	HY22010050
RU10			CHIP,1.2kΩ ±5% 1/16W	NN05122610				2SK2824 X 2	
RU11			CHIP,1kΩ ±5% 1/16W	NN05102610	Q601			CHIP FET (2SK),HN1K05FU	HY22010050
RU12			CHIP,1.2kΩ ±5% 1/16W	NN05122610				2SK2824 X 2	
RU13			CHIP,12kΩ ±5% 1/16W	NN05123610	Q610			IC,CS493292	HC10009880
RU14			CHIP,12kΩ ±5% 1/16W	NN05123610				AUDIO DSP CRYSTAL	
RU15			CHIP,47kΩ ±5% 1/16W	NN05473610	Q611			IC,TC74VHCT245AFT	HC009805K0
					Q640			IC,CS493292	HC10009880
								AUDIO DSP CRYSTAL	

NOTE : *nsp* PART IS LISTED FOR REFERENCE ONLY, MARANTZ WILL NOT SUPPLY THESE PARTS.

PS9200

POS. NO	VERS. COLOR	PART NO. (FOR PCS)	DESCRIPTION	PART NO. (MJJ)	POS. NO	VERS. COLOR	PART NO. (FOR PCS)	DESCRIPTION	PART NO. (MJJ)
Q641			IC,TC74VHCT245AFT	HC009805K0	J600			P604- MISCELLANEOUS	
Q670			IC,128KX8 SRAM 3.3V 10NS SOJ	HC10143990	JR30			RETAINER, GND TERMINAL	320J104010
Q671			IC,MBM29LV400TC-90P	HC60021000				TERMINAL,14X14 RA 1L1P BLK	YT02010790
Q673			IC,TC74VHCT244AFT	HC009705K0	JR31			AU FLM-GND	
Q674			IC,TC74VHC574FT	HC009605K0	JU50			OPT. CONNECTOR,JFJ300	YJ15000210
Q675			IC,TC74VHC574FT	HC009605K0	JU61			JACK,DELC-J9PAF-20L9	YJ90001220
Q676			IC,TC74VHCT245AFT	HC009805K0	JU62			TERMINAL,2P CINCH PINJACK	YT02020890
Q680			IC,TC74VHCT541AFT	HC008805K0				TERMINAL,CINCH PIN JACK	YT02021740
Q681			IC,TC74VHC08FT TAPING	HC008205K0	JU80			GRN-GRN	
Q682			IC,TC74VHC32FT	HC009505K0				JACK,3.5MM MINI JACK	YJ01004750
Q683			IC,TC74VHC00FS	HC005105K0	JU82			LGA6502-0150	
Q684			IC,TC74VHC32FT	HC009505K0				JACK,LGY6501-0600	YJ01004670
Q685			IC,TC74VHC125FT	HC009405K0	L691			3.5 MINI JACK	
QR44			IC,TC74VHC08FT TAPING	HC008205K0	LR30			EMI FILTER,DSS306-91-F-223Z	FM12223010
QR50			IC,LC89055 (SPDIF RECORDER)	HC10405030	LU01			PULSE TRANSF. TPS247MN-0386AN)	TP41042030
QR70			IC,TC74VHCT541AFT	HC008805K0	}			FERRITE CORE,	FC90020120
QU01			IC,H8S/2633 FP-128	HC60022010	LU54			BK1608HM102-T BEADS	
QU02			IC,PST600D-2 RESET TAPING	HC10098550	LU71				
QU03			DIG.TRS.RN2303 (PNPX1(22K+22K))	BA10013050	}			FERRITE CORE,	FC90020120
QU05			DIG.TRS.DTC124EU,RN1303 UMT TYPE	BA21303000	LU80			BK1608HM102-T BEADS	
QU20			IC,TC74VHC00FS	HC005105K0	LU81				
QU21			IC,TC74VHC125FT	HC009405K0	}			EMI FILTER,DSS306-91-F-223Z	FM12223010
▲ QU41			IC, PQ30RV11	HC36930320	LU86				
QU42			DIG.TRS.DTC124EU,RN1303 UMT TYPE	BA21303000	LU87			FERRITE CORE,	FC90020120
QU43			TRS.2SA950 (GR,R)	HT109501A0	SU02			BK1608HM102-T BEADS	
QU50			IC,HIN202ECB 16LEAD WIDE BODY	HC10204990				PUSH SW.SPUJ191000	SP02022320
QU60			DIG.TRS.DTC124EU,RN1303 UMT TYPE	BA21303000	XR50			WITH KNOB	
QU61			DIG.TRS.RN2303 (PNPX1(22K+22K))	BA10013050	XU01			CRYSTAL,12.288MHZ (AT-49)	JX12013260
QU62			DIG.TRS.DTC124EU,RN1303 UMT TYPE	BA21303000				SERAMVIB.CSTLS 5.0MHZ	FQ05004050
QU63			DIG.TRS.RN2303 (PNPX1(22K+22K))	BA10013050	▲ C802			P814- BACKUP TRANSF, AC OUTLET CIRCUIT BOARD	
QU65			DIG.TRS.RN2303 (PNPX1(22K+22K))	BA10013050	▲ C803			P814- CAPACITORS	
QU66			DIG.TRS.DTC124EU,RN1303 UMT TYPE	BA21303000	C804			CER. DE1607-1F 103M-KH	DK17103910
QU67			DIG.TRS.RN2303 (PNPX1(22K+22K))	BA10013050	C805			CER. DE1607-1F 103M-KH	DK17103910
QU68			DIG.TRS.RN2303 (PNPX1(22K+22K))	BA10013050	C808			CER.100pF UP050B101K-A	DA16101110
▲ QU69			PHOTO CUPLER, PC-817 1PAIR	HW10006320	C805			ELECT.100µF ±20% 10V RA-2	OA10701020
QU70			IC,ATMEL AT24C08 8PIN SOIC	HC10191990	C811			ELECT.470µF 25V ±20% RA-2	OA47702520
QU71			IC,PCF8574(I/O EXPANDER)	HC10068490	C812			ELECT.47µF ±20% 25V RA-2	OA47602520
QU80			TRS.2SA970 (GR) OR (BL)	HT109702A0	▲ C813			ELECT. 4700µF 16V	OA47801620
QU81			DIG.TRS.DTC124EU,RN1303 UMT TYPE	BA21303000	C814			CER.50V DC 0.1µF +80-20%	DD38104010
QU82			DIG.TRS.RN2303 (PNPX1(22K+22K))	BA10013050	C815			CER.50V DC 0.1µF +80-20%	DD38104010
QU83			TRS.2SA970 (GR) OR (BL)	HT109702A0	C816			CER.50V DC 0.1µF +80-20%	DD38104010
QU84			DIG.TRS.DTC124EU,RN1303 UMT TYPE	BA21303000	C817			ELECT.100µF ±20% 16V RA-2	OA10701620
QU85			DIG.TRS.RN2303 (PNPX1(22K+22K))	BA10013050	▲ R801			P814- RESISTORS	
QU86			DIG.TRS.DTC124EU,RN1303 UMT TYPE	BA21303000	▲ R802			ROTOR , 2.2Ω 7W	NQ15022070
					R807			W/TEMP.FUSE	
					R808			ROTOR , 2.2Ω 7W	NQ15022070
					R811			W/TEMP.FUSE	
								1Ω ±5% 1/4W	GG05010140
								470Ω ±5% 1/4W	GG05471140
								470Ω ±5% 1/6W	GG05471160
								P814- RESISTORS(COMMON)	
					R***			CARBON FILM FIXED RES.	
								±5% 1/6W : R803 R804 R805	
								R806 R812 R813	

NOTE : *nsp* PART IS LISTED FOR REFERENCE ONLY, MARANTZ WILL NOT SUPPLY THESE PARTS.

PS9200

POS. NO	VERS. COLOR	PART NO. (FOR PCS)	DESCRIPTION	PART NO. (MJI)	POS. NO	VERS. COLOR	PART NO. (FOR PCS)	DESCRIPTION	PART NO. (MJI)
			P814- SEMICONDUCTORS					P834-CAPACITORS(COMMON)	
D801			DIODE,1D3 1A/200V	HD20002710				PLASTIC FILM CAPACITOR	
D802			DIODE,1D3 1A/200V	HD20002710				±5% 50V : C512	
D803			DIODE,1SS176,MA165,1SS254	HD20002000					
			30V 0.1A						
D804			DIODE,1SS176,MA165,1SS254	HD20002000				HIGH DIELECTRIC CONSTANT	
			30V 0.1A					CER. CAPACITOR ±10% 50V :	
								C513	
▲ D811								P834- RESISTORS	
▲)			DIODE, 1D3 1A/200V	HD20002710				330Ω ±5% 1/4W	GG05331140
▲ D816					R538			330Ω ±5% 1/4W	GG05331140
D817			ZENER,5.1V EQUIVALENT	HD30511000	R539			100Ω ±5% 1/4W	GG05101140
Q801			TRS.2SA1048 Y OR GR	HT110482B0	R831			100Ω ±5% 1/2W	GG05010120
Q802			TRS.2SA1048 Y OR GR	HT110482B0	R832			1Ω ±5% 1/4W	GG05010140
Q803			DIG.TRS.DTC114ES/UN4211	BA20001000	R833			100Ω ±5% 1/6W	GG05101160
			10K,10K		R834			1Ω ±5% 1/4W	GG05010140
▲ Q811			IC, NJM78M05FA	HC38505090	R835				
Q812			IC,PST600D-2 RESET TAPING	HC10098550	RN24				
			P814- MISCELLANEOUS					P834- RESISTORS(COMMON)	
▲ F801			FUSE, 12A 250V	FS11200440				CARBON FILM FIXED RES.	
▲ J801			UL,CSA,MITI NO.314					±5% 1/6W : R536 R537	
			JACK, 2P AC OUTLET	YJ04002040				R551-R563 RN25 RN26 RN46	
			(CCT1304-0212)						
▲ L801			RELAY, VS24MB-NR TV-8	LY10240240					
▲ L802			POWER RELAY,G5PA-1 5A	LY10120400					
▲ L811			POWER TRANSF. AC100V	TS13521090					
			P824- POWER SW					P834- SEMICONDUCTORS	
			(EXEPT U)					DIODE,1SS176,MA165,1SS254	HD20002000
			CIRCUIT BOARD					30V 0.1A	
			P824- CAPACITORS					DIODE,1D3 1A/200V	HD20002710
▲ C801			CER. DE1307-1E 472M-KH	DK17472910				DIODE,1D3 1A/200V	HD20002710
			P824- MISCELLANEOUS					ZENER,MTZJ33D	HD33301000
▲ S801			PUSH SW. MAINS POWER	SP01013800				ZENER,6.8V EQUIVALENT	HD30681000
			ESB92S17B					DIODE, 600V 25A	HE20029290
								BRIDGE-DI D25XB60	
								DIODE, 1D3 1A/200V	HD20002710
								DIODE, 1D3 1A/200V	HD20002710
								ZENER,MTZJ2.0B	HD30201000
								ZENER,MTZJ2.0B	HD30201000
C511			CER.100pF UP050B101K-A	DA16101110				TRS.2SC2458 Y OR GR	HT324582B0
C514			ELECT.47μF/16V	EJ47601610				TRS.2SC2458 Y OR GR	HT324582B0
C831			ELECT.ELNA RA2 16X25	OA10805020				DIG.TRS.DTC114ES/UN4211	BA20001000
C832			ELECT.470μF ±20% 50V RA-2	OA47705020				10K,10K	
C833								TRS.2SC2458 Y OR GR	HT324582B0
								TRS.2SC2458 Y OR GR	HT324582B0
			CER.50V DC 0.1μF +80-20%	DD38104010				TRS.2SA1048 Y OR GR	HT110482B0
								IC, NJM78M18FA	HC38518090
C836								IC, -18V 500MA REG.	HC39518090
C837			ELECT.100μF ±20% 25V RA-2	OA10702520				NJM79M18FA JR	
C838			ELECT.100μF ±20% 25V RA-2	OA10702520				IC, NJM78M18FA	HC38518090
C839			ELECT.100μF ±20% 50V RA-2	OA10705020					
C840			CER.50V DC 0.1μF +80-20%	DD38104010					
C841			CER.50V DC 0.1μF +80-20%	DD38104010					
▲ C842									
▲)			ELECT.35XL90 VNSD	OB18907120					
▲ C845								P834- MISCELLANEOUS	
C846			CER.50V DC 0.1μF +80-20%	DD38104010				RELAY, VSB24STB 16A AVSS	LY10240300
C847			ELECT.100μF ±20% 25V RA-2	OA10702520				RELAY, VSB24STB 16A AVSS	LY10240300
C848			CER.50V DC 0.1μF +80-20%	DD38104010					
▲ CN07			ELECT. 220μF ±20% 50V RA-2	OA22705020					
CN08			CER.100pF UP050B101K-A	DA16101110				P844- AC INLET	
CN09			CER.100pF UP050B101K-A	DA16101110				CIRCUIT BOARD	
								P844- MISCELLANEOUS	
								JACK, 2P MAINS INLET	YJ04002440
								PWI1910-H	

NOTE : *nsp* PART IS LISTED FOR REFERENCE ONLY, MARANTZ WILL NOT SUPPLY THESE PARTS.

PS9200

POS. NO	VERS. COLOR	PART NO. (FOR PCS)	DESCRIPTION	PART NO. (MJI)	POS. NO	VERS. COLOR	PART NO. (FOR PCS)	DESCRIPTION	PART NO. (MJI)
			PC04- FRONT CIRCUIT BOARD		QC04			PHOTO UNIT,	HW10002620
			PC04- CAPACITORS		QC05			IR SENSOR TSOP 1136 TB1	
CC01			CER.50V DC 0.1µF +80-20%	DD38104010	QC06			DIG.TRS.DTA114ES/UN4111 10K,10K	BA10001000
CC05					QC07			DIG.TRS.DTA114ES/UN4111 10K,10K	BA10001000
CC07			CER.390pF	DA16391110	QC07			DIG.TRS.DTA114ES/UN4111 10K,10K	BA10001000
CC08			CER.100pF UP050B101K-A	DA16101110	QC08			TRS.C2458,C1740S,C3199,ETC	HT30001000
CC09			CER.CER. 0.1µF Z 50V	DA17104110	QC09			TRS.2SC2120 O	HT321201A0
CC10			CER.CER. 0.1µF Z 50V	DA17104110	QC10			TRS.2SC2120 O	HT321201A0
CC11			CER.CER. 0.1µF Z 50V	DA17104110	QC11			IC,PST600D-2 RESET TAPING	HC10098550
CC12			CER.50V DC 0.1µF +80-20%	DD38104010					
CC13			CER.CER. 0.1µF Z 50V	DA17104110				PC04- MISCELLANEOUS	
CC16			CER.50V DC 0.1µF +80-20%	DD38104010	SC01			PUSH SW.EVQ11L05R H/5MM, 160GF	SP01013370
CC17			CER.0.022µF Z 50V	DK18223310					
CC18			ELECT,47µF/6.3V	EJ47600610	SC26				
CC21			CER.50V DC 0.1µF +80-20%	DD38104010	SC27			ROTALY ENCODER, EC16B 16PLS 16CLICK	SR02010080
CC22			CER.50V DC 0.1µF +80-20%	DD38104010	VC01			DISPLAY UNIT,16-BT-92GNK	HQ31601410
CC30			ELECT,10µF/50V	EJ10605010				PC74- UP/DOWN SW CIRCUIT BOARD	
CC31			CER.CER. 0.1µF Z 50V	DA17104110				PC74- MISCELLANEOUS	
CC32			CER.CER. 0.1µF Z 50V	DA17104110	SC70			PUSH SW.EVQ11L05R H/5MM,160GF	SP01013370
CC33			CER.CER. 0.1µF Z 50V	DA17104110	SC71			PUSH SW.EVQ11L05R H/5MM,160GF	SP01013370
CC34			ELECT,10µF/16V	EJ10601610					
CC35			CER.50V DC 0.1µF +80-20%	DD38104010				PC84- VOLUME ENCODER CIRCUIT BOARD	
CC36			ELECT,100µF/6.3V	EJ10700610				PC84- CAPACITORS	
CC38			CER.50V DC 0.1µF +80-20%	DD38104010	CC80			CER.50V DC 0.1µF +80-20%	DD38104010
CC40			CER.10000pF	DA17103110	CC81			CER.10000pF	DA17103110
CC41			CER.10000pF	DA17103110	CC82			CER.10000pF	DA17103110
CC43			ELECT,100µF/6.3V	EJ10700610				PC84- RESISTORS(COMMON)	
CC44			CER.50V DC 0.1µF +80-20%	DD38104010				CARBON FILM FIXED RES. ±5% 1/6W : RC80-RC85	
CC50			ELECT.100µF ±20% 10V RA-2	OA10701020				PC84- MISCELLANEOUS	
CC51			ELECT.100µF ±20% 50V RA-2	OA10705020	SC80			PUSH SW.EVQ11L05R H/5MM, 160GF	SP01013370
			PC04-CAPACITORS(COMMON)		SC81			PUSH SW.EVQ11L05R H/5MM, 160GF	SP01013370
			PLASTIC FILM CAPACITOR ±5% 50V : CC20		SC82			ROTALY ENCODER, 36PULSE EC16B	SR02010070
			PC04- RESISTORS					PD04- DIG IN/ADC/DAC CIRCUIT BOARD	
RC08			COMPO.RKC13BS473J ±5% P1.8	BW05473230				PD04- CAPACITORS	
RC09			COMPO.RKC13BS473J ±5% P1.8	BW05473230	CA01			CER.0.1µF ±10% B 10V	DK96104200
RC10			COMPO.RKC13BS103J ±5% P1.8	BW05103330	CA05				
RC11			COMPO.RKC13BS473J ±5% P1.8	BW05473230	CA06			CER.GRM39F104Z16 0.1µF	DK98104200
			PC04- RESISTORS(COMMON)		CA09				
			CARBON FILM FIXED RES. ±5% 1/6W : RC01-RC04 RC06 RC12 RC13 RC17-RC21 RC24-RC50 RC52		CA10			ELECT.47µF ±20% 25V RA-2	OA47602520
					CA12			ELECT.47µF ±20% 25V RA-2	OA47602520
DC01			L.E.D.GL3ED8 SHARP	HI10099320	CA14				
DC02					CA20			CER.GRM39F104Z16 0.1µF	DK98104200
			L.E.D.SLR-932AV-8K A RANK 5MM P2.5	HI20006030					
DC05									
DC06			DIODE,1SS176,MA165,1SS254 30V 0.1A	HD20002000					
QC01			IC,NJM3430FG1	HC10220090					
QC02			TRS.C2458,C1740S,C3199,ETC	HT30001000					
QC03			TRS.C2458,C1740S,C3199,ETC	HT30001000					

NOTE : *nsp* PART IS LISTED FOR REFERENCE ONLY, MARANTZ WILL NOT SUPPLY THESE PARTS.

PS9200

POS. NO	VERS. COLOR	PART NO. (FOR PCS)	DESCRIPTION	PART NO. (MJI)	POS. NO	VERS. COLOR	PART NO. (FOR PCS)	DESCRIPTION	PART NO. (MJI)
CD01			ELECT.10μF ±20% 50V RA-2	OA10605020	CH37			FILM,APSV 471J, 470pF(TP) 100V PP	OF15471540
CD04					CH40				
CD05			CER.GRM39F104Z16 0.1μF	DK98104200	CH41			FILM,APSV 221J, 220pF(TP) 100V PP	OF15221540
CD12					CH42			FILM,APSV 221J, 220pF(TP) 100V PP	OF15221540
CD13			ELECT.100μF 10V ARA	OA10701050	CH43			CER.47pF ±5% CG 50V GR39	DD95470300
CD16					CH44			CER.47pF ±5% CG 50V GR39	DD95470300
CD17			CER.GRM39F104Z16 0.1μF	DK98104200	CH45			ELECT.22μF 25V ARA	OA22602550
CD20					CH46			ELECT.22μF 25V ARA	OA22602550
CD21			ELECT.100μF ±20% 10V RA-2	OA10701020	CH47			FILM,APSV 471J, 470pF(TP) 100V PP	OF15471540
CD24					CH48			FILM,APSV 471J, 470pF(TP) 100V PP	OF15471540
CD25			CER.GRM39F104Z16 0.1μF	DK98104200	CH49			CER.GRM39F104Z16 0.1μF	DK98104200
CD28					CH56				
CD29			ELECT.10μF ±20% 50V RA-2	OA10605020	CJ01			FILM,820pF ±5% 50V	DF15821350
CD32					CJ08				
CD33			CER.GRM39F104Z16 0.1μF	DK98104200	CJ09			FILM,APSV 271J, 270pF(TP) 100V PP	OF15271540
CD36					CJ16				
CD37			ELECT.10μF ±20% 50V RA-2	OA10605020	CJ17			ELECT.22μF 25V ARA	OA22602550
CD40					CJ18			ELECT.22μF ±20% 50V RA-2	OA22605020
CD41			CER.100pF ±5% CG 50V GR39	DD95101300	CJ19			ELECT.22μF 25V ARA	OA22602550
CD44					CJ20			ELECT.22μF 25V ARA	OA22602550
CD50			CER.0.01μF	DK98103300	CJ21			FILM,APSV 561J 560pF(TP) 100V PP	OF15561540
CD53					CJ24				
CD54			CER.GRM39F104Z16 0.1μF	DK98104200	CJ25			ELECT.22μF ±20% 50V RA-2	OA22605020
CD55			CER.GRM39F104Z16 0.1μF	DK98104200	CJ28				
CD56			CER.0.01μF	DK98103300	CJ29			CER.22pF ±5% CG 50V GR39	DD95220300
CD59			CER.0.01μF	DK98103300	CJ32				
CD60			ELECT.10μF ±20% 50V RA-2	OA10605020	CJ33			ELECT.22μF 25V ARA	OA22602550
CD65					CJ34			ELECT.22μF ±20% 50V RA-2	OA22605020
CH01			FILM,820pF ±5% 50V	DF15821350	CJ35			ELECT.22μF 25V ARA	OA22602550
CH08					CJ36			ELECT.22μF 25V ARA	OA22602550
CH09			FILM,APSV 271J, 270pF(TP) 100V PP	OF15271540	CJ37			FILM,APSV 471J, 470pF(TP) 100V PP	OF15471540
CH16					CJ40				
CH17			ELECT.22μF 25V ARA	OA22602550	CJ41			CER.GRM39F104Z16 0.1μF	DK98104200
CH20					CJ48			0Ω ±5% 1/4W	GD05000140
CH21					CK01			0Ω ±5% 1/4W	GD05000140
CH24			FILM,APSV 561J 560pF(TP) 100V PP	OF15561540	CK02			ELECT.22μF ±20% 50V RA-2	OA22605020
CH25					CK03			ELECT.22μF ±20% 50V RA-2	OA22605020
CH28			ELECT.22μF ±20% 50V RA-2	OA22605020	CK04			CER.150pF ±5% CG 50V GR39	DD95151300
CH29					CK05			CER.150pF ±5% CG 50V GR39	DD95151300
CH32			CER.22pF ±5% CG 50V GR39	DD95220300	CK06			CER.100pF ±5% CG 50V GR39	DD95101300
CH33					CK07			CER.100pF ±5% CG 50V GR39	DD95101300
CH36			ELECT.22μF 25V ARA	OA22602550	CK08			CER.100pF ±5% CG 50V GR39	DD95101300
					CK09			FILM,APSV 471J, 470pF(TP) 100V PP	OF15471540
					CK10			FILM,APSV 471J, 470pF(TP) 100V PP	OF15471540

NOTE : *nsp* PART IS LISTED FOR REFERENCE ONLY, MARANTZ WILL NOT SUPPLY THESE PARTS.

PS9200

POS. NO	VERS. COLOR	PART NO. (FOR PCS)	DESCRIPTION	PART NO. (MJI)	POS. NO	VERS. COLOR	PART NO. (FOR PCS)	DESCRIPTION	PART NO. (MJI)
CK11			CER.GRM39F104Z16 0.1µF	DK98104200	RH41			CHIP,10kΩ ±5% 1/16W	NN05103610
CK17					RH44				
CK18			ELECT.10µF ±20% 50V RA-2	OA10605020	RH45				
CK19			ELECT.1µF ±20% 50V RA-2	OA10505020				CHIP,470Ω ±5% 1/16W	NN05471610
CK20			ELECT.1µF ±20% 50V RA-2	OA10505020	RH48				
CK21					RH49				
CK24			CER.47pF ±5% CG 50V GR39	DD95470300				CHIP,100kΩ ±5% 1/16W	NN05104610
CK25			CER.GRM39F104Z16 0.1µF	DK98104200	RH52				
CK26			CER.GRM39F104Z16 0.1µF	DK98104200	RH53			CHIP,4.7kΩ ±5% 1/16W	NN05472610
CK27			CER.47pF ±5% CG 50V GR39	DD95470300	RH54			CHIP,4.7kΩ ±5% 1/16W	NN05472610
CK28			CER.47pF ±5% CG 50V GR39	DD95470300	RH55			CHIP,3.3kΩ ±5% 1/16W	NN05332610
CK29			CER.0.1µF 50V F	DK98104300	RH56			CHIP,3.3kΩ ±5% 1/16W	NN05332610
			C1608JF1H104Z		RH57			CHIP,4.7kΩ ±5% 1/16W	NN05472610
CK30			CER.0.22µF ±10% B 10V	DK96224200	RH58			CHIP,4.7kΩ ±5% 1/16W	NN05472610
CK51			CER.GRM39F104Z16 0.1µF	DK98104200	RH59			CHIP,3.3kΩ ±5% 1/16W	NN05332610
CK52			CER.GRM39F104Z16 0.1µF	DK98104200	RH60			CHIP,3.3kΩ ±5% 1/16W	NN05332610
CK53			ELECT.10µF ±20% 50V RA-2	OA10605020	RH61			CHIP,470Ω ±5% 1/16W	NN05471610
CK54			ELECT.10µF ±20% 50V RA-2	OA10605020	RH62			CHIP,470Ω ±5% 1/16W	NN05471610
CK55			CER.GRM39F224Z16 0.22µF	DK98224200	RH63			CHIP,100kΩ ±5% 1/16W	NN05104610
CK56			CER.GRM39F224Z16 0.22µF	DK98224200	RH64			CHIP,100kΩ ±5% 1/16W	NN05104610
CK57			CER.GRM39F104Z16 0.1µF	DK98104200	RJ01				
CK58			CER.GRM39F104Z16 0.1µF	DK98104200				CHIP,2.2kΩ ±5% 1/16W	NN05222610
CK59			ELECT.100µF ±20% 10V RA-2	OA10701020	RJ28				
CK60			ELECT.100µF ±20% 10V RA-2	OA10701020	RJ29			CHIP,100kΩ ±5% 1/16W	NN05104610
CK61			CER.470pF (GR39)	DK96471300					
CK68			CER.470pF (GR39)	DK96471300	RJ32				
			PD04- RESISTORS		RJ33			CHIP,22kΩ ±5% 1/16W	NN05223610
RA01					RJ34			CHIP,4.7kΩ ±5% 1/16W	NN05472610
			CHIP,75Ω ±5% 1/16W	NN05750610	RJ35			CHIP,10kΩ ±5% 1/16W	NN05103610
RA05					RJ36			CHIP,10kΩ ±5% 1/16W	NN05103610
RA06					RJ37			CHIP,560kΩ ±5% 1/16W	NN05564610
			CHIP,1kΩ ±5% 1/16W	NN05102610	RJ38			CHIP,68kΩ ±5% 1/16W	NN05683610
RA10					RJ39			CHIP,120kΩ ±5% 1/16W	NN05124610
RA11					RJ40			CHIP,120kΩ ±5% 1/16W	NN05124610
			CHIP,100kΩ ±5% 1/16W	NN05104610	RJ41				
RA15								CHIP,10kΩ ±5% 1/16W	NN05103610
RA16					RJ44				
			CHIP,4.7kΩ ±5% 1/16W	NN05472610	RJ45			CHIP,470Ω ±5% 1/16W	NN05471610
RA20									
RA21					RJ48				
			CHIP,10kΩ ±5% 1/16W	NN05103610	RJ49				
RA24								CHIP,100kΩ ±5% 1/16W	NN05104610
RD01					RJ52				
			CHIP,1kΩ ±5% 1/16W	NN05102610	RK01			CHIP,6.8kΩ ±5% 1/16W	NN05682610
RD08					RK02			CHIP,6.8kΩ ±5% 1/16W	NN05682610
RD09					RK03			CHIP,3.9kΩ ±5% 1/16W	NN05392610
RH01					RK04			CHIP,3.9kΩ ±5% 1/16W	NN05392610
			CHIP,10kΩ ±5% 1/16W	NN05103610	RK05			CHIP,2.7kΩ ±5% 1/16W	NN05272610
RH28					RK06			CHIP,2.7kΩ ±5% 1/16W	NN05272610
RH29					RK07			CHIP,2.2kΩ ±5% 1/16W	NN05222610
			CHIP,2.2kΩ ±5% 1/16W	NN05222610	RK08			CHIP,2.2kΩ ±5% 1/16W	NN05222610
RH32					RK09			CHIP,4.7kΩ ±5% 1/16W	NN05472610
RH33					RK10			CHIP,4.7kΩ ±5% 1/16W	NN05472610
RH34					RK11				
RH35								CHIP,10kΩ ±5% 1/16W	NN05103610
RH36					RK14				
RH37					RK15			CHIP,330Ω ±5% 1/16W	NN05331610
RH38									
RH39					RK18				
RH40					RK19			CHIP,2.2kΩ ±5% 1/16W	NN05222610
			CHIP,120kΩ ±5% 1/16W	NN05124610	RK20			CHIP,2.2kΩ ±5% 1/16W	NN05222610
			CHIP,120kΩ ±5% 1/16W	NN05124610	RK21			CHIP,1MΩ ±5% 1/16W	NN05105610

NOTE : *nsp* PART IS LISTED FOR REFERENCE ONLY, MARANTZ WILL NOT SUPPLY THESE PARTS.

PS9200

POS. NO	VERS. COLOR	PART NO. (FOR PCS)	DESCRIPTION	PART NO. (MJI)	POS. NO	VERS. COLOR	PART NO. (FOR PCS)	DESCRIPTION	PART NO. (MJI)
RK23			CHIP,22kΩ ±5% 1/16W	NN05223610	QK03			IC,NJM2115M	HC10172090
∫					QK04			IC,NJM2115M	HC10172090
RK28					QK05			IC,NJM2068M TAPING	HC10102090
RK29			CHIP,47kΩ ±5% 1/16W	NN05473610	QK06			IC,NJM2068M TAPING	HC10102090
RK30			CHIP,47kΩ ±5% 1/16W	NN05473610	QK07			DIG. TRS.DTA114EU	BA10026210
RK31			CHIP,4.7kΩ ±5% 1/16W	NN05472610	QK08			IC,NJM2115M	HC10172090
RK32			CHIP,47kΩ ±5% 1/16W	NN05473610	QK51			IC,ADC AK5383VS 96kHz 24BIT	HC10033480
RK33			CHIP,10kΩ ±5% 1/16W	NN05103610	QK70			DIG. TRS.DTA114EU	BA10026210
RK34			CHIP,5.6kΩ ±5% 1/16W	NN05562610	QK71			TRS.2SC2120 O	HT321201A0
RK35			CHIP,10kΩ ±5% 1/16W	NN05103610	QK72			DIG. TRS.DTA114EU	BA10026210
RK36			CHIP,5.6kΩ ±5% 1/16W	NN05562610	QK73			TRS.2SC2120 O	HT321201A0
RK37			CHIP,10kΩ ±5% 1/16W	NN05103610					
RK39			CHIP,680kΩ ±5% 1/16W	NN05684610				PD04- MISCELLANEOUS	
RK40			CHIP,680kΩ ±5% 1/16W	NN05684610	JA01			TERMINAL,14X14 RA 1L3P BLK	YT02030610
RK41			CHIP,680kΩ ±5% 1/16W	NN05684610				AU F-SHIELD	
RK42			CHIP,47kΩ ±5% 1/16W	NN05473610	JA02			TERMINAL,CINCH 2P AU(BL)	YT02021540
RK43			CHIP,680kΩ ±5% 1/16W	NN05684610				FRONT SHIELDED	
RK44			CHIP,4.7kΩ ±5% 1/16W	NN05472610	JA03				
RK46			CHIP,10kΩ ±5% 1/16W	NN05103610	∫			OPT. CONNECTOR,JFJ400	YJ15000200
RK47			CHIP,10kΩ ±5% 1/16W	NN05103610	JA06				
RK48			CHIP,10kΩ ±5% 1/16W	NN05103610	LD01				
RK49			CHIP,3.3kΩ ±5% 1/16W	NN05332610	∫			EMI FILTER,DSS306-91-F-223Z	FM12223010
RK50			CHIP,3.3kΩ ±5% 1/16W	NN05332610	LD04				
RK51			CHIP,10kΩ ±5% 1/16W	NN05103610	LK70			RELAY,MR82-24USR	LY20240480
RK58			CHIP,470Ω ±5% 1/16W	NN05471610	LK71			RELAY,MR82-24USR	LY20240480
RK70									
∫			CHIP,10kΩ ±5% 1/16W	NN05103610				PF14- COMPONENT	
RK73								CIRCUIT BOARD	
RK74			680Ω ±5% 1/6W	GG05681160				PF14- CAPACITORS	
RK75			680Ω ±5% 1/6W	GG05681160	CF61			CER.0.01μF Z 50V	DK18103310
RK76			CHIP,10kΩ ±5% 1/16W	NN05103610	CF62			ELECT.10μF ±20% 50V RA-2	OA10605020
RK77			CHIP,10kΩ ±5% 1/16W	NN05103610	CF63			ELECT.470μF ±20% 6.3V RA-2	OA47700620
			PD04- SEMICONDUCTORS					PF14- RESISTORS	
DA01			CHIP DIODE,1SS302	HZ20018050	RF53			1Ω ±5% 1/6W	GG05010160
∫					RF59			1Ω ±5% 1/6W	GG05010160
DA05					RF76			1Ω ±5% 1/6W	GG05010160
DK01			CHIP DIODE,1SS302	HZ20018050	RF77			75Ω ±5% 1/6W	GD05750160
∫								PF14- RESISTORS(COMMON)	
DK05			CHIP DIODE,1SS302	HZ20018050	R***			CARBON FILM FIXED RES.	
DK70			CHIP DIODE,1SS302	HZ20018050				±5% 1/6W : RF51-RF52	
DK71			CHIP DIODE,1SS302	HZ20018050				RF57-RF58 RF74-RF75	
QA01			IC,CMOS 74HCU04 FLAT TAPING	HC700400Z0				PF14- SEMICONDUCTORS	
QA02			IC,CMOS 74HCU04 FLAT TAPING	HC700400Z0	DF51			DIODE,1SS176,MA165,1SS254	HD20002000
QA03			IC,TC74HC151AF	HC715100Z0				30V 0.1A	
QA04			IC,TC74HC151AF	HC715100Z0	DF53			DIODE,1SS176,MA165,1SS254	HD20002000
QA05			IC,OR-GATE 74HC32	HC703200Z0				30V 0.1A	
QA06			IC,CMOS 74HC00 FLAT TAPING	HC700000Z0	DF54			DIODE,1SS176,MA165,1SS254	HD20002000
QA07			IC,PCF8574(I/O EXPANDER)	HC10068490				30V 0.1A	
QD01			IC,24BIT 192KHZ DAC DR=120DB	HC10011880	QF51			TRS.2SC2458 Y OR GR	HT324582B0
∫					QF53			TRS.2SC2458 Y OR GR	HT324582B0
QD04					QF54			TRS.2SC2458 Y OR GR	HT324582B0
QH01			IC,NJM2068M TAPING	HC10102090				PF14- MISCELLANEOUS	
∫					JF51			TERMINAL,YKC21-4076 1L3	YT02030700
QH05			IC,NJM2068M TAPING	HC10102090	JF52			FS AU	
QJ01					JF53			TERMINAL,3P CINCH JACK	YT02030540
∫			IC,NJM2068M TAPING	HC10102090				1L3 R/G/B GOLD	
QJ04								TERMINAL,3P CINCH JACK	YT02030540
QK01			CHIP TR. (2SC),2SC4213	HX342132A0	LF51			1L3 R/G/B GOLD	
QK02			CHIP TR. (2SC),2SC4213	HX342132A0	LF52			RELAY,MR82-24USR	LY20240480
					LF53			RELAY,MR82-24USR	LY20240480
								RELAY,MR82-24USR	LY20240480

NOTE : "nsp" PART IS LISTED FOR REFERENCE ONLY, MARANTZ WILL NOT SUPPLY THESE PARTS.

PS9200

POS. NO	VERS. COLOR	PART NO. (FOR PCS)	DESCRIPTION	PART NO. (MJ)	POS. NO	VERS. COLOR	PART NO. (FOR PCS)	DESCRIPTION	PART NO. (MJ)
LF56			RELAY,MR82-24USR	LY20240480	CE59			ELECT.22µF ±20% 50V RA-2	OA22605020
LF57			RELAY,MR82-24USR	LY20240480	CE60			ELECT.22µF ±20% 50V RA-2	OA22605020
LF58			RELAY,MR82-24USR	LY20240480	CE61			ELECT.22µF ±20% 25V ARS	OA22602540
LF59			RELAY,MR82-24USR	LY20240480	CE62			ELECT.22µF ±20% 50V RA-2	OA22605020
			PF24- D-TERMINAL		CE63			ELECT.10µF ±20% 50V RA-2	OA10605020
			CIRCUIT BOARD		CE64			ELECT.47µF ±20% 25V RA-2	OA47602520
			PF24- CAPACITORS		CE65			FILM,100pF ±5% 100V APSV	OF15101540
CF87			CER.0.01µF Z 50V	DK18103310	CE67			CER.50V DC 0.1µF +80-20%	DD38104010
CF88			ELECT.10µF ±20% 50V RA-2	OA10605020	CE68			CER.50V DC 0.1µF +80-20%	DD38104010
CF91			CER.0.01µF Z 50V	DK18103310	CE69			ELECT.47µF ±20% 25V RA-2	OA47602520
CF92			ELECT.10µF ±20% 50V RA-2	OA10605020	CE70			ELECT.47µF ±20% 25V RA-2	OA47602520
			PF24- SEMICONDUCTORS		CE71			FILM,APSV 471J, 470pF(TP) 100V PP	OF15471540
QF91			IC,C-MOS 74HC4053	HC705300B0	CE91			ELECT.47µF ±20% 25V RA-2	OA47602520
			PF24- MISCELLANEOUS		CE92			CER.50V DC 0.1µF +80-20%	DD38104010
JF91			JACK,YKF45-300T	YJ11000660	CE93			ELECT.47µF ±20% 25V RA-2	OA47602520
JF92			D CONNECTOR ANGLE	YJ11000660	CE94			CER.50V DC 0.1µF +80-20%	DD38104010
JF93			JACK,YKF45-300T	YJ11000660	CG01			ELECT.22µF ±20% 50V RA-2	OA22605020
			D CONNECTOR ANGLE		CG02			ELECT.22µF ±20% 50V RA-2	OA22605020
			JACK,YKF45-300T		CG03			ELECT.10µF ±20% 50V RA-2	OA10605020
			D CONNECTOR ANGLE		CG04			ELECT.10µF ±20% 50V RA-2	OA10605020
			JACK,YKF45-300T		CG05			FILM,100pF ±5% 100V APSV	OF15101540
			D CONNECTOR ANGLE		CG06			FILM,100pF ±5% 100V APSV	OF15101540
			PG04- ELE.VOLUME		CG07			CER.50V DC 0.1µF +80-20%	DD38104010
			CIRCUIT BOARD		CG08			CER.50V DC 0.1µF +80-20%	DD38104010
			PG04- CAPACITORS		CG09			ELECT.22µF ±20% 50V RA-2	OA22605020
CE01			ELECT.22µF ±20% 50V RA-2	OA22605020	CG10			ELECT.22µF ±20% 50V RA-2	OA22605020
CE02			ELECT.22µF ±20% 50V RA-2	OA22605020	CG11			ELECT.22µF ±20% 25V ARS	OA22602540
CE03			ELECT.10µF ±20% 50V RA-2	OA10605020	CG12			ELECT.22µF ±20% 25V ARS	OA22602540
CE04			ELECT.10µF ±20% 50V RA-2	OA10605020	CG13			ELECT.10µF ±20% 50V RA-2	OA10605020
CE05			FILM,100pF ±5% 100V APSV	OF15101540	CG14			ELECT.10µF ±20% 50V RA-2	OA10605020
CE06			FILM,100pF ±5% 100V APSV	OF15101540	CG15			FILM,100pF ±5% 100V APSV	OF15101540
CE07			CER.50V DC 0.1µF +80-20%	DD38104010	CG16			FILM,100pF ±5% 100V APSV	OF15101540
CE08			CER.50V DC 0.1µF +80-20%	DD38104010	CG17			CER.50V DC 0.1µF +80-20%	DD38104010
CE09			ELECT.22µF ±20% 50V RA-2	OA22605020	CG18			CER.50V DC 0.1µF +80-20%	DD38104010
CE10			ELECT.22µF ±20% 50V RA-2	OA22605020	CG19			ELECT.47µF ±20% 25V RA-2	OA47602520
CE11			ELECT.22µF ±20% 25V ARS	OA22602540	CG20			ELECT.47µF ±20% 25V RA-2	OA47602520
CE12			ELECT.22µF ±20% 25V ARS	OA22602540	CG21			FILM,APSV 471J, 470pF(TP) 100V PP	OF15471540
CE13			ELECT.10µF ±20% 50V RA-2	OA10605020	CG22			FILM,APSV 471J, 470pF(TP) 100V PP	OF15471540
CE14			ELECT.10µF ±20% 50V RA-2	OA10605020	CG41			ELECT.47µF ±20% 25V RA-2	OA47602520
CE15			FILM,100pF ±5% 100V APSV	OF15101540	CG42			CER.50V DC 0.1µF +80-20%	DD38104010
CE16			FILM,100pF ±5% 100V APSV	OF15101540	CG43			ELECT.47µF ±20% 25V RA-2	OA47602520
CE17			CER.50V DC 0.1µF +80-20%	DD38104010	CG44			CER.50V DC 0.1µF +80-20%	DD38104010
CE18			CER.50V DC 0.1µF +80-20%	DD38104010	CG51			ELECT.22µF ±20% 50V RA-2	OA22605020
CE19			ELECT.47µF ±20% 25V RA-2	OA47602520	CG52			ELECT.22µF ±20% 50V RA-2	OA22605020
CE20			ELECT.47µF ±20% 25V RA-2	OA47602520	CG53			ELECT.10µF ±20% 50V RA-2	OA10605020
CE21			FILM,APSV 471J, 470pF(TP) 100V PP	OF15471540	CG54			ELECT.10µF ±20% 50V RA-2	OA10605020
CE22			FILM,APSV 471J, 470pF(TP) 100V PP	OF15471540	CG55			FILM,100pF ±5% 100V APSV	OF15101540
CE41			ELECT.47µF ±20% 25V RA-2	OA47602520	CG56			FILM,100pF ±5% 100V APSV	OF15101540
CE42			CER.50V DC 0.1µF +80-20%	DD38104010	CG57			CER.50V DC 0.1µF +80-20%	DD38104010
CE43			ELECT.47µF ±20% 25V RA-2	OA47602520	CG58			CER.50V DC 0.1µF +80-20%	DD38104010
CE44			CER.50V DC 0.1µF +80-20%	DD38104010	CG59			ELECT.22µF ±20% 50V RA-2	OA22605020
CE49			ELECT.100µF ±20% 16V RA-2	OA10701620	CG60			ELECT.22µF ±20% 50V RA-2	OA22605020
CE50			ELECT.100µF ±20% 16V RA-2	OA10701620	CG61			ELECT.22µF ±20% 25V ARS	OA22602540
CE51			ELECT.22µF ±20% 50V RA-2	OA22605020	CG62			ELECT.22µF ±20% 25V ARS	OA22602540
CE52			ELECT.22µF ±20% 50V RA-2	OA22605020	CG63			ELECT.10µF ±20% 50V RA-2	OA10605020
CE53			ELECT.10µF ±20% 50V RA-2	OA10605020	CG64			ELECT.10µF ±20% 50V RA-2	OA10605020
CE54			ELECT.10µF ±20% 50V RA-2	OA10605020	CG65			FILM,100pF ±5% 100V APSV	OF15101540
CE55			FILM,100pF ±5% 100V APSV	OF15101540	CG66			FILM,100pF ±5% 100V APSV	OF15101540
CE57			CER.50V DC 0.1µF +80-20%	DD38104010	CG67			CER.50V DC 0.1µF +80-20%	DD38104010
CE58			CER.50V DC 0.1µF +80-20%	DD38104010	CG68			CER.50V DC 0.1µF +80-20%	DD38104010
					CG69			ELECT.47µF ±20% 25V RA-2	OA47602520

NOTE : *nsp* PART IS LISTED FOR REFERENCE ONLY, MARANTZ WILL NOT SUPPLY THESE PARTS.

PS9200

POS. NO	VERS. COLOR	PART NO. (FOR PCS)	DESCRIPTION	PART NO. (MJI)	POS. NO	VERS. COLOR	PART NO. (FOR PCS)	DESCRIPTION	PART NO. (MJI)
CG70			ELECT.47µF ±20% 25V RA-2	OA47602520	RE19				
CG71			FILM,APSV 471J, 470pF(TP) 100V PP	OF15471540	RE22			CHIP,220Ω ±5% 1/10W	NI05221110
CG72			FILM,APSV 471J, 470pF(TP) 100V PP	OF15471540	RE23				
CG91			ELECT.47µF ±20% 25V RA-2	OA47602520	RE26			CHIP,4.7kΩ ±5% 1/10W	NI05472110
CG92			CER.50V DC 0.1µF +80-20%	DD38104010	RE27			CHIP,33Ω ±5% 1/10W	NI05330110
CG93			ELECT.47µF ±20% 25V RA-2	OA47602520	RE28			CHIP,33Ω ±5% 1/10W	NI05330110
CG94			CER.50V DC 0.1µF +80-20%	DD38104010	RE40			CHIP,100Ω ±5% 1/10W	NI05101110
CM01			ELECT.22µF ±20% 50V RA-2	OA22605020	RE41			CHIP,1MΩ ±5% 1/10W	NI05105110
CM02			ELECT.22µF ±20% 50V RA-2	OA22605020	RE43			CHIP,100Ω ±5% 1/10W	NI05101110
CM03			ELECT.10µF ±20% 50V RA-2	OA10605020	RE44			CHIP,100Ω ±5% 1/10W	NI05101110
CM04			ELECT.10µF ±20% 50V RA-2	OA10605020	RE45			CHIP,10kΩ ±5% 1/10W	NI05103110
CM07			CER.50V DC 0.1µF +80-20%	DD38104010	RE47			CHIP,10kΩ ±5% 1/10W	NI05103110
CM08			CER.50V DC 0.1µF +80-20%	DD38104010	RE48			CHIP,10kΩ ±5% 1/10W	NI05103110
CM09					RE49			150Ω ±5% 1/2W	GG05151120
CM12			ELECT.22µF ±20% 50V RA-2	OA22605020	RE51			CHIP,47kΩ ±5% 1/10W	NI05473110
CM13			ELECT.10µF ±20% 50V RA-2	OA10605020	RE52			CHIP,47kΩ ±5% 1/10W	NI05473110
CM14			ELECT.10µF ±20% 50V RA-2	OA10605020	RE53			CHIP,10kΩ ±5% 1/10W	NI05103110
CM17			CER.50V DC 0.1µF +80-20%	DD38104010	RE54			CHIP,27kΩ ±5% 1/10W	NI05273110
CM18			CER.50V DC 0.1µF +80-20%	DD38104010	RE55			CHIP,10kΩ ±5% 1/10W	NI05103110
CM19			ELECT.47µF ±20% 25V RA-2	OA47602520	RE56			CHIP,10kΩ ±5% 1/10W	NI05103110
CM20			ELECT.47µF ±20% 25V RA-2	OA47602520	RE57				
CM31			ELECT.22µF ±20% 50V RA-2	OA22605020	RE60			CHIP,47kΩ ±5% 1/10W	NI05473110
CM32			ELECT.22µF ±20% 50V RA-2	OA22605020	RE61			CHIP,5.6kΩ ±5% 1/10W	NI05562110
CM33			ELECT.10µF ±20% 50V RA-2	OA10605020	RE62			CHIP,1.5kΩ ±5% 1/10W	NI05152110
CM34			ELECT.10µF ±20% 50V RA-2	OA10605020	RE63			CHIP,4.7kΩ ±5% 1/10W	NI05472110
CM37			CER.50V DC 0.1µF +80-20%	DD38104010	RE64			CHIP,1.8kΩ ±5% 1/10W	NI05182110
CM38			CER.50V DC 0.1µF +80-20%	DD38104010	RE65			CHIP,8.2kΩ ±5% 1/10W	NI05822110
CM39			ELECT.47µF ±20% 25V RA-2	OA47602520	RE66			CHIP,8.2kΩ ±5% 1/10W	NI05822110
CM40			ELECT.47µF ±20% 25V RA-2	OA47602520	RE67			CHIP,47kΩ ±5% 1/10W	NI05473110
CM61			ELECT.47µF ±20% 25V RA-2	OA47602520	RE68			CHIP,47kΩ ±5% 1/10W	NI05473110
CM62			CER.50V DC 0.1µF +80-20%	DD38104010	RE69				
CM63			ELECT.47µF ±20% 25V RA-2	OA47602520	RE72			CHIP,220Ω ±5% 1/10W	NI05221110
CM64			CER.50V DC 0.1µF +80-20%	DD38104010	RE73				
CG***			PG04-CAPACITORS(COMMON) HIGH DIELECTRIC CONSTANT CER. CAPACITOR ±10% 50V : CE40 CE45-CE48 CE56 CE66 CE72 CE90 CG40 CG90 CM05 CM06 CM15 CM16 CM21 CM22 CM35 CM36 CM41 CM42 CM60		RE76			CHIP,4.7kΩ ±5% 1/10W	NI05472110
					RE77			CHIP,33Ω ±5% 1/10W	NI05330110
					RE78			CHIP,33Ω ±5% 1/10W	NI05330110
					RE90			CHIP,100Ω ±5% 1/10W	NI05101110
					RE91			CHIP,1MΩ ±5% 1/10W	NI05105110
					RE92			CHIP,1MΩ ±5% 1/10W	NI05105110
					RG01			CHIP,47kΩ ±5% 1/10W	NI05473110
					RG02			CHIP,47kΩ ±5% 1/10W	NI05473110
RE01			CHIP,47kΩ ±5% 1/10W	NI05473110	RG03				
RE02			CHIP,47kΩ ±5% 1/10W	NI05473110	RG06			CHIP,10kΩ ±5% 1/10W	NI05103110
RE03					RG07				
RE06			CHIP,10kΩ ±5% 1/10W	NI05103110	RG10			CHIP,47kΩ ±5% 1/10W	NI05473110
RE07					RG11			CHIP,5.6kΩ ±5% 1/10W	NI05562110
RE10			CHIP,47kΩ ±5% 1/10W	NI05473110	RG12			CHIP,5.6kΩ ±5% 1/10W	NI05562110
RE11			CHIP,5.6kΩ ±5% 1/10W	NI05562110	RG13			CHIP,4.7kΩ ±5% 1/10W	NI05472110
RE12			CHIP,5.6kΩ ±5% 1/10W	NI05562110	RG14			CHIP,4.7kΩ ±5% 1/10W	NI05472110
RE13			CHIP,4.7kΩ ±5% 1/10W	NI05472110	RG15			CHIP,8.2kΩ ±5% 1/10W	NI05822110
RE14			CHIP,4.7kΩ ±5% 1/10W	NI05472110	RG16			CHIP,8.2kΩ ±5% 1/10W	NI05822110
RE15			CHIP,8.2kΩ ±5% 1/10W	NI05822110	RG17			CHIP,47kΩ ±5% 1/10W	NI05473110
RE16			CHIP,8.2kΩ ±5% 1/10W	NI05822110	RG18			CHIP,47kΩ ±5% 1/10W	NI05473110
RE17			CHIP,47kΩ ±5% 1/10W	NI05473110	RG19				
RE18			CHIP,47kΩ ±5% 1/10W	NI05473110	RG22			CHIP,220Ω ±5% 1/10W	NI05221110

NOTE : *hsp* PART IS LISTED FOR REFERENCE ONLY, MARANTZ WILL NOT SUPPLY THESE PARTS.

PS9200

POS. NO	VERS. COLOR	PART NO. (FOR PCS)	DESCRIPTION	PART NO. (MJI)	POS. NO	VERS. COLOR	PART NO. (FOR PCS)	DESCRIPTION	PART NO. (MJI)
RG23					RM39			CHIP,330Ω ±5% 1/10W	NI05331110
RG26					RM40			CHIP,330Ω ±5% 1/10W	NI05331110
RG27			CHIP,33Ω ±5% 1/10W	NI05330110	RM41			CHIP,4.7kΩ ±5% 1/10W	NI05472110
RG28			CHIP,33Ω ±5% 1/10W	NI05330110	RM42			CHIP,4.7kΩ ±5% 1/10W	NI05472110
RG40			CHIP,100Ω ±5% 1/10W	NI05101110	RM43			CHIP,150Ω ±5% 1/10W	NI05151110
RG41			CHIP,1MΩ ±5% 1/10W	NI05105110	RM44			CHIP,150Ω ±5% 1/10W	NI05151110
RG51			CHIP,47kΩ ±5% 1/10W	NI05473110	RM60			CHIP,100Ω ±5% 1/10W	NI05101110
RG52			CHIP,47kΩ ±5% 1/10W	NI05473110	RM61			CHIP,1MΩ ±5% 1/10W	NI05105110
RG53					RM62			CHIP,10kΩ ±5% 1/10W	NI05103110
RG56			CHIP,10kΩ ±5% 1/10W	NI05103110	RM64			CHIP,10kΩ ±5% 1/10W	NI05103110
RG57					RM65			CHIP,10kΩ ±5% 1/10W	NI05103110
RG60					RM66			680Ω ±5% 1/6W	GG05681160
RG61			CHIP,5.6kΩ ±5% 1/10W	NI05562110				PG04- SEMICONDUCTORS	
RG62			CHIP,5.6kΩ ±5% 1/10W	NI05562110	DE40			CHIP DIODE,DAN202K	HZ20002210
RG63			CHIP,4.7kΩ ±5% 1/10W	NI05472110	DM60			CHIP DIODE,DAN202K	HZ20002210
RG64			CHIP,4.7kΩ ±5% 1/10W	NI05472110	QE01			IC,NJM-2068-DD	HC10053090
RG65			CHIP,8.2kΩ ±5% 1/10W	NI05822110	QE02			IC,TC9459N ELE.VOLUME	HC10443050
RG66			CHIP,8.2kΩ ±5% 1/10W	NI05822110	QE03			IC,NJM-2068-DD	HC10053090
RG67			CHIP,47kΩ ±5% 1/10W	NI05473110	QE05				
RG68			CHIP,47kΩ ±5% 1/10W	NI05473110				TRS.2SC2878 A OR BRANK	HT328782A0
RG69					QE08				
RG72			CHIP,220Ω ±5% 1/10W	NI05221110	QE40			DIG.TRS.DTC114ES/UN4211 10K,10K	BA20001000
RG73					QE41			TRS.2SA817 O OR Y 600MW -300MA	HT108172B0
RG76			CHIP,4.7kΩ ±5% 1/10W	NI05472110	QE51			IC,NJM-2068-DD	HC10053090
RG77			CHIP,33Ω ±5% 1/10W	NI05330110	QE52			IC,TC9459N ELE.VOLUME	HC10443050
RG78			CHIP,33Ω ±5% 1/10W	NI05330110	QE53			IC,NJM-2068-DD	HC10053090
RG90			CHIP,100Ω ±5% 1/10W	NI05101110	QE55				
RG91			CHIP,1MΩ ±5% 1/10W	NI05105110				TRS.2SC2878 A OR BRANK	HT328782A0
RM01			CHIP,47kΩ ±5% 1/10W	NI05473110	QE58			IC,NJM-2068-DD	HC10053090
RM02			CHIP,47kΩ ±5% 1/10W	NI05473110	QG01			IC,TC9459N ELE.VOLUME	HC10443050
RM03					QG02			IC,NJM-2068-DD	HC10053090
RM06			CHIP,10kΩ ±5% 1/10W	NI05103110	QG03				
RM07					QG05			TRS.2SC2878 A OR BRANK	HT328782A0
RM10			CHIP,47kΩ ±5% 1/10W	NI05473110	QG08				
RM11			CHIP,3.9kΩ ±5% 1/10W	NI05392110	QG51			IC,NJM-2068-DD	HC10053090
RM12			CHIP,3.9kΩ ±5% 1/10W	NI05392110	QG52			IC,TC9459N ELE.VOLUME	HC10443050
RM13			CHIP,12kΩ ±5% 1/10W	NI05123110	QG53			IC,NJM-2068-DD	HC10053090
RM14			CHIP,12kΩ ±5% 1/10W	NI05123110	QG55				
RM15			CHIP,47kΩ ±5% 1/10W	NI05473110				TRS.2SC2878 A OR BRANK	HT328782A0
RM16			CHIP,47kΩ ±5% 1/10W	NI05473110	QG58			IC,NJM-2068-DD	HC10053090
RM17					QM01			IC,TC9459N ELE.VOLUME	HC10443050
RM20			CHIP,220Ω ±5% 1/10W	NI05221110	QM02			IC,NJM-2068-DD	HC10053090
RM21					QM03				
RM24			CHIP,4.7kΩ ±5% 1/10W	NI05472110	QM05			TRS.2SC2878 A OR BRANK	HT328782A0
RM25			CHIP,33Ω ±5% 1/10W	NI05330110	QM08				
RM26			CHIP,33Ω ±5% 1/10W	NI05330110	QM30			IC,NJM-2068-DD	HC10053090
RM31			CHIP,47kΩ ±5% 1/10W	NI05473110	QM31			TRS.2SC2878 A OR BRANK	HT328782A0
RM32			CHIP,47kΩ ±5% 1/10W	NI05473110	QM32			TRS.2SC2878 A OR BRANK	HT328782A0
RM33			CHIP,3.9kΩ ±5% 1/10W	NI05392110	QM60			DIG.TRS.DTC114ES/UN4211 10K,10K	BA20001000
RM34			CHIP,3.9kΩ ±5% 1/10W	NI05392110	QM61			TRS.2SA970 (GR) OR (BL)	HT109702A0
RM35			CHIP,12kΩ ±5% 1/10W	NI05123110				PG04- MISCELLANEOUS	
RM36			CHIP,12kΩ ±5% 1/10W	NI05123110	JE01			TERMINAL,14X14 RA 2L6P BLK AU F-SHIELD	YT02060690
RM37			CHIP,47kΩ ±5% 1/10W	NI05473110	JE02			TERMINAL,YKC21-3914 1L1P FS BK AU	YT02011710
RM38			CHIP,47kΩ ±5% 1/10W	NI05473110	JE03			TERMINAL,YKC21-4086 2L4P FS BK AU	YT02041340

NOTE : *nsp* PART IS LISTED FOR REFERENCE ONLY, MARANTZ WILL NOT SUPPLY THESE PARTS.

PS9200

POS. NO	VERS. COLOR	PART NO. (FOR PCS)	DESCRIPTION	PART NO. (MJI)	POS. NO	VERS. COLOR	PART NO. (FOR PCS)	DESCRIPTION	PART NO. (MJI)
JE04			TERMINAL,14X14 RA 2L6P BLK AU F-SHIELD	YT02060690	CL38			ELECT.10µF ±20% 50V RA-2	OA10605020
JE10			RETAINER,GND TERMINAL	320J104010	CL39			CER.24pF ±5% CH 50V BLK	DD15240300
LE01			RELAY,MR82-24USR	LY20240480	CL40			CER.22pF ±5% CH 50V BLK	DD15220300
LE51			RELAY,MR82-24USR	LY20240480	CL42			CER.50V DC 0.1µF +80-20%	DD38104010
LG01			RELAY,MR82-24USR	LY20240480	CL44			ELECT.1µF ±20% 50V RA-2	OA10505020
LG51			RELAY,MR82-24USR	LY20240480	CL45			ELECT.1µF ±20% 50V RA-2	OA10505020
LM01			RELAY,MR82-24USR	LY20240480	CL46			CER.50V DC 0.1µF +80-20%	DD38104010
LM60			RELAY,MR82-24USR	LY20240480	CL47			ELECT.10µF ±20% 50V RA-2	OA10605020
			PL04- CVBS		CL48			CER.22pF ±5% CH 50V BLK	DD15220300
			CIRCUIT BOARD		CL49			CER.22pF ±5% CH 50V BLK	DD15220300
			PL04- CAPACITORS		CL50			CER.47pF ±5% CH 50V BLK	DD15470300
CF01			ELECT.10µF ±20% 50V RA-2	OA10605020	CL51			ELECT.10µF ±20% 50V RA-2	OA10605020
CF02			ELECT.10µF ±20% 50V RA-2	OA10605020	CL52			ELECT.10µF ±20% 50V RA-2	OA10605020
CF03			ELECT.10µF ±20% 50V RA-2	OA10605020	CL53			ELECT.100µF ±20% 10V RA-2	OA10701020
CF04			CER.50V DC 0.1µF +80-20%	DD38104010	CL54			CER.50V DC 0.1µF +80-20%	DD38104010
CF05			ELECT.10µF ±20% 50V RA-2	OA10605020	CL55			ELECT.1µF ±20% 50V RA-2	OA10505020
CF06			ELECT.10µF ±20% 50V RA-2	OA10605020	CL57			CER.50V DC 0.1µF +80-20%	DD38104010
CF07			ELECT.100µF ±20% 10V RA-2	OA10701020	CL58			ELECT.100µF ±20% 16V RA-2	OA10701620
CF08			CER.50V DC 0.1µF +80-20%	DD38104010	CL59			CER.47pF ±5% CH 50V BLK	DD15470300
CF09			ELECT.10µF ±20% 50V RA-2	OA10605020	CL60			ELECT.100µF ±20% 10V RA-2	OA10701020
CF13			ELECT.10µF ±20% 50V RA-2	OA10605020	CL63			CER.50V DC 0.1µF +80-20%	DD38104010
CF14			CER.47pF ±5% CH 50V BLK	DD15470300	CL64			CER.0.01µF DC50V +80%-20%	DD38103010
CF15			CER.47pF ±5% CH 50V BLK	DD15470300	CL65			ELECT.10µF ±20% 50V RA-2	OA10605020
CF16			ELECT.100µF ±20% 10V RA-2	OA10701020	CL66			CER.0.01µF DC50V +80%-20%	DD38103010
CF17			CER.50V DC 0.1µF +80-20%	DD38104010	CL67			CER.0.01µF DC50V +80%-20%	DD38103010
CF19			CER.47pF ±5% CH 50V BLK	DD15470300	CL68			ELECT.10µF ±20% 50V RA-2	OA10605020
CF20			ELECT.10µF ±20% 50V RA-2	OA10605020	CL69			CER.0.01µF DC50V +80%-20%	DD38103010
CF21			ELECT.10µF ±20% 50V RA-2	OA10605020	CL70			CER.0.01µF DC50V +80%-20%	DD38103010
CF22			CER.50V DC 0.1µF +80-20%	DD38104010	CL71			ELECT.10µF ±20% 50V RA-2	OA10605020
CF23			ELECT.100µF ±20% 16V RA-2	OA10701620	CL72			CER.0.01µF DC50V +80%-20%	DD38103010
CF24			ELECT.1µF ±20% 50V RA-2	OA10505020	CL73			CER.0.022µF Z 50V	DK18223310
CF26			CER.50V DC 0.1µF +80-20%	DD38104010	CL78			CER.50V DC 0.1µF +80-20%	DD38104010
CF27			CER.47pF ±5% CH 50V BLK	DD15470300	CL79			ELECT.10µF ±20% 50V RA-2	OA10605020
CF28			ELECT.470µF ±20% 6.3V RA-2	OA47700620	CL80			ELECT.10µF ±20% 50V RA-2	OA10605020
CF31			CER.50V DC 0.1µF +80-20%	DD38104010	CL81			ELECT.10µF ±20% 50V RA-2	OA10605020
CF33			CER.50V DC 0.1µF +80-20%	DD38104010	CL82			CER.47pF ±5% CH 50V BLK	DD15470300
CL01			ELECT.470µF ±20% 6.3V RA-2	OA47700620	CL85			CER.47pF ±5% CH 50V BLK	DD15470300
CL02			ELECT.470µF ±20% 6.3V RA-2	OA47700620	CL87			ELECT.100µF ±20% 10V RA-2	OA10701020
CL09			CER.47pF ±5% CH 50V BLK	DD15470300				PL04-CAPACITORS(COMMON)	
CL12			ELECT.10µF ±20% 50V RA-2	OA10605020				HIGH DIELECTRIC CONSTANT	
CL13			ELECT.10µF ±20% 50V RA-2	OA10605020				CER. CAPACITOR ±10% 50V :	
CL14			CER.50V DC 0.1µF +80-20%	DD38104010				CF25 CL43 CL62 CL83 CL86	
CL15			ELECT.10µF ±20% 50V RA-2	OA10605020				PL04- RESISTORS	
CL16			ELECT.10µF ±20% 50V RA-2	OA10605020	RF01			CHIP,75Ω ±5% 1/10W	NI05750110
CL20			ELECT.470µF ±20% 6.3V RA-2	OA47700620	RF02			CHIP,1kΩ ±5% 1/10W	NI05102110
CL21			ELECT.10µF ±20% 50V RA-2	OA10605020	RF03			CHIP,75Ω ±5% 1/10W	NI05102110
CL22			ELECT.470µF ±20% 6.3V RA-2	OA47700620	RF04			CHIP,10kΩ ±5% 1/10W	NI05103110
CL23			ELECT.100µF ±20% 10V RA-2	OA10701020	RF05			CHIP,75Ω ±5% 1/10W	NI05750110
CL24			CER.50V DC 0.1µF +80-20%	DD38104010	RF06			CHIP,1MΩ ±5% 1/10W	NI05105110
CL25			ELECT.100µF ±20% 10V RA-2	OA10701020	RF07			CHIP,1MΩ ±5% 1/10W	NI05105110
CL26			ELECT.100µF ±20% 10V RA-2	OA10701020	RF08			CHIP,0Ω ±5% 1/10W	NI05000110
CL27			CER.50V DC 0.1µF +80-20%	DD38104010	RF09			CHIP,1kΩ ±5% 1/10W	NI05102110
CL28			ELECT.10µF ±20% 50V RA-2	OA10605020	RF16				
CL29			ELECT.10µF ±20% 50V RA-2	OA10605020	RL01			CHIP,75Ω ±5% 1/10W	NI05750110
CL32			ELECT.10µF ±20% 50V RA-2	OA10605020	RL02			CHIP,75Ω ±5% 1/10W	NI05750110
CL34			ELECT.10µF ±20% 50V RA-2	OA10605020	RL03			CHIP,75Ω ±5% 1/10W	NI05750110
CL35			CER.50V DC 0.1µF +80-20%	DD38104010	RL04			CHIP,0Ω ±5% 1/10W	NI05000110
CL36			ELECT.10µF ±20% 50V RA-2	OA10605020	RL05			CHIP,75Ω ±5% 1/10W	NI05750110
CL37			ELECT.2.2µF ±20% 50V RA-2	OA22505020	RL06			CHIP,0Ω ±5% 1/10W	NI05000110
					RL07			CHIP,75Ω ±5% 1/10W	NI05750110
					RL08			CHIP,0Ω ±5% 1/10W	NI05000110

NOTE : *hsp* PART IS LISTED FOR REFERENCE ONLY, MARANTZ WILL NOT SUPPLY THESE PARTS.

PS9200

POS. NO	VERS. COLOR	PART NO. (FOR PCS)	DESCRIPTION	PART NO. (MJJ)	POS. NO	VERS. COLOR	PART NO. (FOR PCS)	DESCRIPTION	PART NO. (MJJ)
RL09			CHIP,75Ω ±5% 1/10W	NI05750110	QL07			IC,74HC4094 16PIN DIP	HC709449B0
RL10			CHIP,0Ω ±5% 1/10W	NI05000110	QL08			TRS.C2458,C1740S,C3199,ETC	HT30001000
RL11			CHIP,75Ω ±5% 1/10W	NI05750110	QL09			TRS.A1048,A933S,A1267,ETC.	HT10001000
RL12			CHIP,0Ω ±5% 1/10W	NI05000110	QL10			TRS.C2458,C1740S,C3199,ETC	HT30001000
RL13			CHIP,75Ω ±5% 1/10W	NI05750110	QL11			DIG.TRS.DTA114ES/UN4111	BA10001000
RL14			CHIP,0Ω ±5% 1/10W	NI05000110				10K,10K	
RL15			CHIP,75Ω ±5% 1/10W	NI05750110	QL12			TRS.C2458,C1740S,C3199,ETC	HT30001000
RL16			CHIP,75Ω ±5% 1/10W	NI05750110	QL13			DIG.TRS.DTC114ES/UN4211	BA20001000
RL18			CHIP,10kΩ ±5% 1/10W	NI05103110				10K,10K	
RL19			CHIP,10kΩ ±5% 1/10W	NI05103110	QL14			TRS.C2458,C1740S,C3199,ETC	HT30001000
RL20			CHIP,10kΩ ±5% 1/10W	NI05103110	QL15			TRS.C2458,C1740S,C3199,ETC	HT30001000
RL21			CHIP,1kΩ ±5% 1/10W	NI05102110	QL16			DIG.TRS.DTC114ES/UN4211	BA20001000
RL22			CHIP,1kΩ ±5% 1/10W	NI05102110				10K,10K	
RL23			CHIP,1kΩ ±5% 1/10W	NI05102110	QL17			DIG.TRS.DTA114ES/UN4111	BA10001000
RL24			CHIP,470Ω ±5% 1/10W	NI05471110				10K,10K	
RL25			CHIP,10kΩ ±5% 1/10W	NI05103110	QL21			IC,CMOS 74HC00 FLAT	HC700000Z0
RL26			CHIP,100kΩ ±5% 1/10W	NI05104110				TAPING	
RL27			CHIP,10kΩ ±5% 1/10W	NI05103110	QL22			CHIP TR. (2SC),2SC1622AD17	HX316221A0
RL28			CHIP,12kΩ ±5% 1/10W	NI05123110					
RL29			CHIP,220Ω ±5% 1/10W	NI05221110	JL01			PL04- MISCELLANEOUS	
RL30			CHIP,0Ω ±5% 1/10W	NI05000110				TERMINAL,YKC21-3913 1L1	YT02011690
RL31			CHIP,1MΩ ±5% 1/10W	NI05105110	JL02			FS AU	
RL32			CHIP,0Ω ±5% 1/10W	NI05000110	JL03			TERMINAL,YKC21-4074 2L2	YT02021710
RL33			CHIP,220Ω ±5% 1/10W	NI05221110				FS AU	
RL35			CHIP,10kΩ ±5% 1/10W	NI05103110	JL04			TERMINAL,YKC21-3701 1L4	YT02041310
RL36			220Ω ±5% 1/2W	GG05221120				FG AU	
RL37			CHIP,4.7kΩ ±5% 1/10W	NI05472110	JL04			TERMINAL,YKC21-3701 1L4	YT02041310
RL38			CHIP,10kΩ ±5% 1/10W	NI05103110				FG AU	
RL39			CHIP,1kΩ ±5% 1/10W	NI05102110	LL01			EMI FILTER,DSS306-91-F-223Z	FM12223010
RL40			CHIP,56Ω ±5% 1/10W	NI05560110	LL02			EMI FILTER,DSS306-91-F-223Z	FM12223010
RL41			CHIP,1kΩ ±5% 1/10W	NI05102110	LL03			EMI FILTER,DSS306-91-F-223Z	FM12223010
RL42			CHIP,10kΩ ±5% 1/10W	NI05103110	LL04			CHIP INDUCTANCE,	LU15333010
RL43			CHIP,1kΩ ±5% 1/10W	NI05102110				NL252018 33UH	
RL44			CHIP,100Ω ±5% 1/10W	NI05101110	XL01			CRYSTAL,	JX14001260
RL45			CHIP,100Ω ±5% 1/10W	NI05101110				AT49/14.31818MHZ(TP)	
RL57			CHIP,10kΩ ±5% 1/10W	NI05103110					
RL58								PN14- RN47	
RL61			CHIP,0Ω ±5% 1/10W	NI05000110				CIRCUIT BOARD	
RL62			CHIP,75Ω ±5% 1/10W	NI05750110	RN47			PN14- RESISTORS	
RL63			CHIP,1MΩ ±5% 1/10W	NI05105110				VARIATOR,FOR HEAT SENS.	HP00029230
RL64			CHIP,1MΩ ±5% 1/10W	NI05105110				100C BD	
RL68			CHIP,0Ω ±5% 1/10W	NI05000110					
RL69			CHIP,75Ω ±5% 1/10W	NI05750110				PN24- RN62	
RL70			CHIP,0Ω ±5% 1/10W	NI05000110				CIRCUIT BOARD	
RL72								PN24- RESISTORS	
RL84			CHIP,1kΩ ±5% 1/10W	NI05102110				VARIATOR,FOR FAN SENS.	HP00042230
RL85			CHIP,0Ω ±5% 1/10W	NI05000110				80C BF	
								PN54- RN49	
								CIRCUIT BOARD	
								PN54- RESISTORS	
								VARIATOR,FOR HEAT SENS.	HP00029230
								100C BD	
								PN64- RN86	
								CIRCUIT BOARD	
								PN64- RESISTORS	
								VARIATOR,FOR FAN SENS.	HP00042230
								80C BF	
								PP04- AUX	
								CIRCUIT BOARD	
								PP04- CAPACITORS	
								CER.50V DC 0.1μF +80-20%	DD38104010
								CER.50V DC 0.1μF +80-20%	DD38104010
DL01			CHIP DIODE,DAN202K	HZ20002210					
QF01			IC,NJM2534M TAPING TE1	HC10223090					
QF02			IC,NJM2296M TAPING	HC10210090					
QF03			IC,NJM2535M TAPING TE1	HC10224090					
QF04			IC,74HC4094 16PIN DIP	HC709449B0					
QL01			IC,NJM2534M TAPING TE1	HC10223090					
QL02			IC,NJM2296M TAPING	HC10210090					
QL03			IC,NJM2535M TAPING TE1	HC10224090					
QL04			IC,OSD LC74781	HC10377030					
QL05			IC,NJM2535M TAPING TE1	HC10224090					
QL06			IC,BA7622F TAPING-E2	HC10221210					
					CP03				
					CP04				

NOTE : *nsp* PART IS LISTED FOR REFERENCE ONLY, MARANTZ WILL NOT SUPPLY THESE PARTS.

PS9200

POS. NO	VERS. COLOR	PART NO. (FOR PCS)	DESCRIPTION	PART NO. (MJI)	POS. NO	VERS. COLOR	PART NO. (FOR PCS)	DESCRIPTION	PART NO. (MJI)
CP05			ELECT.10µF ±20% 50V RA-2	OA10605020	CQ50			ELECT.10µF ±20% 50V RA-2	OA10605020
CP08					CQ53				
CP09			CER.50V DC 0.1µF +80-20%	DD38104010	CQ54				
CP11					CQ58			CER.50V DC 0.1µF +80-20%	DD38104010
CP14			ELECT.10µF ±20% 50V RA-2	OA10605020	CQ64			ELECT.100µF ±20% 16V RA-2	OA10701620
CP16			CER.CER. 0.1µF Z 50V	DA17104110	CQ65			ELECT.100µF ±20% 16V RA-2	OA10701620
CP17			ELECT.100µF ±20% 10V RA-2	OA10701020					
CP18			CER.50V DC 0.1µF +80-20%	DD38104010					
C***			PP04-CAPACITORS(COMMON) HIGH DIELECTRIC CONSTANT CER. CAPACITOR ±10% 50V : CP01 CP02		C***			PQ04-CAPACITORS(COMMON) HIGH DIELECTRIC CONSTANT CER. CAPACITOR ±10% 50V : CQ37 CQ38 CQ41 CQ42 CQ56 CQ59 CQ60 CQ61 CQ62 CQ63	
RP11			PP04- RESISTORS 75Ω ±5% 1/6W	GD05750160	R***			PQ04- RESISTORS(COMMON) CARBON FILM FIXED RES. ±5% 1/6W : RQ01-RQ04 RQ09-RQ12 RQ17-RQ20 RQ25-RQ28 RQ33-RQ36 RQ41-RQ44 RQ49-RQ64	
RP12			75Ω ±5% 1/6W	GD05750160					
RP14			75Ω ±5% 1/6W	GD05750160					
R***			PP04- RESISTORS(COMMON) CARBON FILM FIXED RES. ±5% 1/6W : RP01-RP06 RP16		QQ01			PQ04- SEMICONDUCTORS IC,NJU7312L ANALOG SW.	HC10124090
QP01			PP04- SEMICONDUCTORS IC,NJM4558D-D	HC10008090	QQ02			IC,NJU7312L ANALOG SW.	HC10124090
JP01			PP04- MISCELLANEOUS OPT. CONNECTOR,JFJ400	YJ15000200	QQ03			IC,NJM4560D-D	HC10021090
JP02			TERMINAL,CINCH JACK 3P + S-TERMINAL	BY04040030	JQ01			PQ04- MISCELLANEOUS TERMINAL,14X14 RA 2L6 WH+RE AU F-GROUND	YT02060670
CP93			PP94- H.P. CIRCUIT BOARD PP94- CAPACITORS CER.50V DC 0.1µF +80-20%	DD38104010	JQ02			TERMINAL,14X14 RA 2L6 WH+RE AU F-GROUND	YT02060670
JP99			PP94- MISCELLANEOUS JACK,HLJ2307-01-3160	YJ01004240	JQ03			TERMINAL,14X14 RA 2L4 WH+RE AU F-FROUND	YT02041280
CQ01			PQ04- A-FUNCTION-V CIRCUIT BOARD PQ04- CAPACITORS FILM,100pF ±5% 100V APSV	OF15101540	CS01			PS04- AUDIO FUNCTION CIRCUIT BOARD PS04- CAPACITORS FILM,100pF ±10% 50V	OF15101540
CQ02			FILM,100pF ±5% 100V APSV	OF15101540	CS02			FILM,100pF ±10% 50V	OF15101540
CQ07			FILM,100pF ±5% 100V APSV	OF15101540	CS07			FILM,100pF ±5% 100V APSV	OF15101540
CQ08			FILM,100pF ±5% 100V APSV	OF15101540	CS08			FILM,100pF ±5% 100V APSV	OF15101540
CQ13			FILM,100pF ±5% 100V APSV	OF15101540	CS13			FILM,100pF ±5% 100V APSV	OF15101540
CQ14			FILM,100pF ±5% 100V APSV	OF15101540	CS14			FILM,100pF ±5% 100V APSV	OF15101540
CQ19			FILM,100pF ±5% 100V APSV	OF15101540	CS19			FILM,100pF ±5% 100V APSV	OF15101540
CQ20			FILM,100pF ±5% 100V APSV	OF15101540	CS20			FILM,100pF ±5% 100V APSV	OF15101540
CQ25			FILM,100pF ±5% 100V APSV	OF15101540	CS27			ELECT.10µF ±20% 50V RA-2	OA10605020
CQ26			FILM,100pF ±5% 100V APSV	OF15101540	CS28			ELECT.10µF ±20% 50V RA-2	OA10605020
CQ31			FILM,100pF ±5% 100V APSV	OF15101540	CS31			ELECT.10µF ±20% 50V RA-2	OA10605020
CQ32			FILM,100pF ±5% 100V APSV	OF15101540	CS32			ELECT.10µF ±20% 50V RA-2	OA10605020
CQ39			ELECT.10µF ±20% 50V RA-2	OA10605020	CS35			CER.50V DC 0.1µF +80-20%	DD38104010
CQ40			ELECT.10µF ±20% 50V RA-2	OA10605020	CS36			CER.50V DC 0.1µF +80-20%	DD38104010
CQ43			ELECT.10µF ±20% 50V RA-2	OA10605020	CS37				
CQ44			ELECT.10µF ±20% 50V RA-2	OA10605020				ELECT.10µF ±20% 50V RA-2	OA10605020
CQ48			CER.50V DC 0.1µF +80-20%	DD38104010	CS40				
CQ49			CER.50V DC 0.1µF +80-20%	DD38104010	CS41				
								CER.50V DC 0.1µF +80-20%	DD38104010
					CS45			ELECT.100µF ±20% 16V RA-2	OA10701620
					CS51			ELECT.100µF ±20% 16V RA-2	OA10701620
					CS52				
					C***			PS04-CAPACITORS(COMMON) HIGH DIELECTRIC CONSTANT CER. CAPACITOR ±10% 50V : CS25 CS26 CS29 CS30 CS43	

NOTE : *nsp* PART IS LISTED FOR REFERENCE ONLY, MARANTZ WILL NOT SUPPLY THESE PARTS.

PS9200

POS. NO	VERS. COLOR	PART NO. (FOR PCS)	DESCRIPTION	PART NO. (MJI)	POS. NO	VERS. COLOR	PART NO. (FOR PCS)	DESCRIPTION	PART NO. (MJI)
			CS46-CS50						
			PS04- RESISTORS						
RS01			CHIP,100Ω ±5% 1/10W	NI05101110	CQ75			CER.50V DC 0.1μF +80-20%	DD38104010
RS02			CHIP,100Ω ±5% 1/10W	NI05101110	CQ76			CER.50V DC 0.1μF +80-20%	DD38104010
RS03			CHIP,270kΩ ±5% 1/10W	NI05274110	CQ77			ELECT.10μF ±20% 50V RA-2	OA10605020
RS04			CHIP,270kΩ ±5% 1/10W	NI05274110	CQ78			ELECT.10μF ±20% 50V RA-2	OA10605020
RS05			CHIP,0Ω ±5% 1/10W	NI05000110	CQ79			FILM,100pF ±5% 100V APSV	OF15101540
RS06			CHIP,0Ω ±5% 1/10W	NI05000110	CQ81			ELECT.10μF ±20% 50V RA-2	OA10605020
RS09			CHIP,100Ω ±5% 1/10W	NI05101110	CQ82			ELECT.10μF ±20% 50V RA-2	OA10605020
RS10			CHIP,100Ω ±5% 1/10W	NI05101110	CQ83			CER.50V DC 0.1μF +80-20%	DD38104010
RS11			CHIP,270kΩ ±5% 1/10W	NI05274110	CQ84			CER.50V DC 0.1μF +80-20%	DD38104010
RS12			CHIP,270kΩ ±5% 1/10W	NI05274110	CQ85			ELECT.10μF ±20% 50V RA-2	OA10605020
RS13			CHIP,0Ω ±5% 1/10W	NI05000110	CQ86			ELECT.10μF ±20% 50V RA-2	OA10605020
RS14			CHIP,0Ω ±5% 1/10W	NI05000110	CQ87			CER.50V DC 0.1μF +80-20%	DD38104010
RS17			CHIP,100Ω ±5% 1/10W	NI05101110	CS71			FILM,100pF ±5% 100V APSV	OF15101540
RS18			CHIP,100Ω ±5% 1/10W	NI05101110	CS72			FILM,100pF ±5% 100V APSV	OF15101540
RS19			CHIP,270kΩ ±5% 1/10W	NI05274110	CS73			ELECT.10μF ±20% 50V RA-2	OA10605020
RS20			CHIP,270kΩ ±5% 1/10W	NI05274110	CS74			ELECT.10μF ±20% 50V RA-2	OA10605020
RS21			CHIP,0Ω ±5% 1/10W	NI05000110	CS75			CER.50V DC 0.1μF +80-20%	DD38104010
RS22			CHIP,0Ω ±5% 1/10W	NI05000110	CS76			CER.50V DC 0.1μF +80-20%	DD38104010
RS25			CHIP,100Ω ±5% 1/10W	NI05101110	CS77			ELECT.10μF ±20% 50V RA-2	OA10605020
RS26			CHIP,100Ω ±5% 1/10W	NI05101110	CS78			ELECT.10μF ±20% 50V RA-2	OA10605020
RS27			CHIP,270kΩ ±5% 1/10W	NI05274110	CS79			FILM,100pF ±5% 100V APSV	OF15101540
RS28			CHIP,270kΩ ±5% 1/10W	NI05274110	CS80			FILM,100pF ±5% 100V APSV	OF15101540
RS29			CHIP,0Ω ±5% 1/10W	NI05000110	CS81			ELECT.10μF ±20% 50V RA-2	OA10605020
RS30			CHIP,0Ω ±5% 1/10W	NI05000110	CS82			ELECT.10μF ±20% 50V RA-2	OA10605020
RS33			CHIP,1kΩ ±5% 1/10W	NI05102110	CS83			CER.50V DC 0.1μF +80-20%	DD38104010
RS34			CHIP,1kΩ ±5% 1/10W	NI05102110	CS84			CER.50V DC 0.1μF +80-20%	DD38104010
RS35			CHIP,47kΩ ±5% 1/10W	NI05473110	CS85			ELECT.10μF ±20% 50V RA-2	OA10605020
RS36			CHIP,47kΩ ±5% 1/10W	NI05473110	CS86			ELECT.10μF ±20% 50V RA-2	OA10605020
RS37			CHIP,1kΩ ±5% 1/10W	NI05102110	CS87			CER.50V DC 0.1μF +80-20%	DD38104010
RS38			CHIP,1kΩ ±5% 1/10W	NI05102110	CS88			CER.50V DC 0.1μF +80-20%	DD38104010
RS39			CHIP,47kΩ ±5% 1/10W	NI05473110	CS89			CER.50V DC 0.1μF +80-20%	DD38104010
RS40			CHIP,47kΩ ±5% 1/10W	NI05473110	CS95			ELECT.100μF ±20% 16V RA-2	OA10701620
RS41			CHIP,270kΩ ±5% 1/10W	NI05274110	CS96			ELECT.100μF ±20% 16V RA-2	OA10701620
RS42			CHIP,270kΩ ±5% 1/10W	NI05274110				PS54-CAPACITORS(COMMON)	
RS43			CHIP,47kΩ ±5% 1/10W	NI05473110				HIGH DIELECTRIC CONSTANT	
RS44			CHIP,47kΩ ±5% 1/10W	NI05473110				CER. CAPACITOR ±10% 50V :	
RS45			CHIP,0Ω ±5% 1/10W	NI05000110				CQ80 CS90-CS94	
RS49			CHIP,100Ω ±5% 1/10W	NI05101110				PS54- RESISTORS(COMMON)	
RS50			CHIP,0Ω ±5% 1/10W	NI05000110				CARBON FILM FIXED RES.	
RS54			CHIP,100Ω ±5% 1/10W	NI05101110				±5% 1/6W : RQ71-RQ74	
RS55			CHIP,100Ω ±5% 1/10W	NI05101110				RQ77-RQ86 RS71-RS74	
RS56			CHIP,100Ω ±5% 1/10W	NI05101110				RS77-RS82 RS85-RS89	
			PS04- SEMICONDUCTORS					PS54- SEMICONDUCTORS	
QS01			IC,NJU7313L ANALOG SW.	HC10125090	Q71			IC,NJM-2068-DD	HC10053090
QS02			IC,NJU7313L ANALOG SW.	HC10125090	Q72			IC,NJM-2068-DD	HC10053090
QS03			IC,NJM4560M	HC10029090	Q70			IC,NJU7311L ANALOG SW.	HC10123090
			PS04- MISCELLANEOUS		Q71			IC,NJM-2068-DD	HC10053090
JS01			TERMINAL,14X14 RA 2L6	YT02060670	Q72			IC,NJM-2068-DD	HC10053090
			WH+RE AU F-GROUND		Q70			FG BK AU	YT02041330
JS02			TERMINAL,14X14 RA 2L6	YT02060670	Q71			TERMINAL,YKC21-3601 2L4P	YT02041330
			WH+RE AU F-GROUND		Q71			FG BK AU	
			PS54- MULTI CH INPUT					PX04- S-VIDEO	
			CIRCUIT BOARD					CIRCUIT BOARD	
			PS54- CAPACITORS					PX04- CAPACITORS	
CQ71			FILM,100pF ±5% 100V APSV	OF15101540	CX05			CER.47pF ±5% CH 50V BLK	DD15470300
CQ72			FILM,100pF ±5% 100V APSV	OF15101540	}				
CQ73			ELECT.10μF ±20% 50V RA-2	OA10605020	CX08				
CQ74			ELECT.10μF ±20% 50V RA-2	OA10605020					

NOTE : *nsp* PART IS LISTED FOR REFERENCE ONLY, MARANTZ WILL NOT SUPPLY THESE PARTS.

PS9200

POS. NO	VERS. COLOR	PART NO. (FOR PCS)	DESCRIPTION	PART NO. (MJI)	POS. NO	VERS. COLOR	PART NO. (FOR PCS)	DESCRIPTION	PART NO. (MJI)
CX09			ELECT.470µF ±20% 6.3V RA-2	OA47700620				PX04- RESISTORS(COMMON) CARBON FILM FIXED RES. ±5% 1/6W : RX28 RX30-RX34 RX36	
CX10			ELECT.22µF ±20% 16V RA-2	OA22601620					
CX11			ELECT.470µF ±20% 6.3V RA-2	OA47700620					
CX12			ELECT.22µF ±20% 16V RA-2	OA22601620					
CX25									
}			ELECT.10µF ±20% 50V RA-2	OA10605020				PX04- SEMICONDUCTORS	
CX34					QX01			IC,NJM2234D DIP TYPE	HC10143090
CX35			ELECT.470µF ±20% 6.3V RA-2	OA47700620	QX02			IC,VIDEO SW NJM2296D 5IN 3OUT	HC10217090
CX36			ELECT.22µF ±20% 16V RA-2	OA22601620					
CX37			ELECT.10µF ±20% 50V RA-2	OA10605020	QX03			IC,NJM2234D DIP TYPE	HC10143090
CX38			ELECT.10µF ±20% 50V RA-2	OA10605020	QX04			IC,VIDEO SW NJM2296D 5IN 3OUT	HC10217090
CX39			ELECT.470µF ±20% 6.3V RA-2	OA47700620					
CX40			ELECT.22µF ±20% 16V RA-2	OA22601620	QX05			IC,NJM2249D	HC10221090
CX41			CER.0.01µF Z 50V	DK18103310	QX06			IC,NJM2235D	HC10222090
CX42			ELECT.10µF ±20% 50V RA-2	OA10605020	QX07			IC,BA7622 DIP	HC10220210
CX44			ELECT.10µF ±20% 50V RA-2	OA10605020					
CX45			ELECT.100µF ±20% 10V RA-2	OA10701020				PX04- MISCELLANEOUS	
CX46			CER.50V DC 0.1µF +80-20%	DD38104010	JX01			TERMINAL,2P S-VIDEO JACK GOLD	YT02021520
CX48			ELECT.100µF ±20% 10V RA-2	OA10701020	JX02			TERMINAL,2P S-VIDEO JACK GOLD	YT02021520
CX49			CER.50V DC 0.1µF +80-20%	DD38104010					
CX51			CER.47pF ±5% CH 50V BLK	DD15470300	JX03			TERMINAL,3P S-VIDEO JACK GOLD	YT02030550
CX53			ELECT.10µF ±20% 50V RA-2	OA10605020					
CX54			ELECT.10µF ±20% 50V RA-2	OA10605020	JX04			TERMINAL,3P S-VIDEO JACK GOLD	YT02030550
CX55			CER.0.01µF Z 50V	DK18103310					
CX56			ELECT.10µF ±20% 50V RA-2	OA10605020	LX01			EMI FILTER,DSS306-91-F-223Z	FM12223010
CX57			CER.0.01µF Z 50V	DK18103310	LX02			EMI FILTER,DSS306-91-F-223Z	FM12223010
CX58			ELECT.10µF ±20% 50V RA-2	OA10605020					
CX61			CER.0.01µF Z 50V	DK18103310				PY04- CONNECTOR	
CX62			ELECT.10µF ±20% 50V RA-2	OA10605020				CIRCUIT BOARD	
CX64			ELECT.10µF ±20% 50V RA-2	OA10605020				PY04- CAPACITORS	
CX65			ELECT.100µF ±20% 10V RA-2	OA10701020	C851			CER.0.01µF Z 50V	DK18103310
CX66			CER.50V DC 0.1µF +80-20%	DD38104010	C852			CER.0.01µF Z 50V	DK18103310
CX68			ELECT.100µF ±20% 10V RA-2	OA10701020	C853			ELECT.2200µF ±20% 35V RA-2	OA22803520
CX69			CER.0.01µF Z 50V	DK18103310	C854			ELECT.2200µF ±20% 35V RA-2	OA22803520
CX71			CER.47pF ±5% CH 50V BLK	DD15470300	C855				
CX72			ELECT.10µF ±20% 50V RA-2	OA10605020	}			CER.0.01µF Z 50V	DK18103310
CX73			CER.0.01µF Z 50V	DK18103310	C858				
CX74			ELECT.10µF ±20% 50V RA-2	OA10605020	C859			ELECT.100µF ±20% 16V RA-2	OA10701620
CX75			ELECT.10µF ±20% 50V RA-2	OA10605020	C860			ELECT.100µF ±20% 16V RA-2	OA10701620
CX79			ELECT.100µF ±20% 16V RA-2	OA10701620	C861			CER.0.01µF Z 50V	DK18103310
CX80			ELECT.1µF ±20% 50V RA-2	OA10505020	C862			CER.0.01µF Z 50V	DK18103310
CX81			ELECT.10µF ±20% 50V RA-2	OA10605020	C863			ELECT.2200µF 10V	EA22901010
CX82			CER.0.022µF TP050F223Z	DA17223110	C864			ELECT.2200µF ±20% 35V RA-2	OA22803520
CX83			ELECT.100µF ±20% 16V RA-2	OA10701620	C865				
CX84			CER.0.01µF Z 50V	DK18103310	}			CER.0.01µF Z 50V	DK18103310
CX85			ELECT.10µF ±20% 50V RA-2	OA10605020	C868				
CX86			CER.0.01µF Z 50V	DK18103310	C869			ELECT.100µF ±20% 16V RA-2	OA10701620
CX87			CER.0.01µF Z 50V	DK18103310	C870			ELECT.100µF ±20% 16V RA-2	OA10701620
CX88			ELECT.10µF ±20% 50V RA-2	OA10605020	C871			CER.0.01µF Z 50V	DK18103310
CX89			CER.0.01µF Z 50V	DK18103310	C872			CER.0.01µF Z 50V	DK18103310
CX91			CER.20pF ±5% CH 50V BLK	DD15200300	C873			ELECT.100µF ±20% 16V RA-2	OA10701620
CX92			CER.20pF ±5% CH 50V BLK	DD15200300	C874			ELECT.100µF ±20% 10V RA-2	OA10701020
CX93			CER.47pF ±5% CH 50V BLK	DD15470300	C875			ELECT.100µF ±20% 16V RA-2	OA10701620
			PX04- RESISTORS		C876			CER.0.01µF Z 50V	DK18103310
RX01					C877			CER.0.01µF Z 50V	DK18103310
}			75Ω ±5% 1/6W	GD05750160	C878			ELECT.100µF ±20% 16V RA-2	OA10701620
RX20					C879			ELECT.100µF ±20% 16V RA-2	OA10701620
RX29			75Ω ±5% 1/6W	GD05750160	CM81				
RX37					}			CER.50V DC 0.1µF +80-20%	DD38104010
}			75Ω ±5% 1/6W	GD05750160	CM85				
RX40					CW01			ELECT.10µF ±20% 50V RA-2	OA10605020
					CW02			ELECT.10µF ±20% 50V RA-2	OA10605020
					CW05			ELECT.10µF ±20% 50V RA-2	OA10605020
					CW06			ELECT.10µF ±20% 50V RA-2	OA10605020

NOTE : *hsp* PART IS LISTED FOR REFERENCE ONLY, MARANTZ WILL NOT SUPPLY THESE PARTS.

PS9200

POS. NO	VERS. COLOR	PART NO. (FOR PCS)	DESCRIPTION	PART NO. (MJI)	POS. NO	VERS. COLOR	PART NO. (FOR PCS)	DESCRIPTION	PART NO. (MJI)
CW07			CER.0.01µF Z 50V	DK18103310				PY04- MISCELLANEOUS FUSE 2.0A 125V UL/CSA FUSE 2.0A 125V UL/CSA FUSE 2.0A 125V UL/CSA FUSE 2.0A 125V UL/CSA	FS20200220 FS20200220 FS20200220 FS20200220
CW08			CER.0.01µF Z 50V	DK18103310	▲ F851				
CW31			ELECT.10µF ±20% 50V RA-2	OA10605020	▲ F852				
CW32			ELECT.10µF ±20% 50V RA-2	OA10605020	▲ F853				
CW35			ELECT.10µF ±20% 50V RA-2	OA10605020	▲ F854				
CW36			ELECT.10µF ±20% 50V RA-2	OA10605020					
CW37			CER.0.01µF Z 50V	DK18103310					
CW38			CER.0.01µF Z 50V	DK18103310					
CY01			CER.0.01µF Z 50V	DK18103310					
			PY04-CAPACITORS(COMMON) HIGH DIELECTRIC CONSTANT CER. CAPACITOR ±10% 50V : CM83 CM86						
		C***							
			PY04- RESISTORS 150Ω ±5% 1/4W 1Ω ±5% 1/6W	GG05151140 GG05010160					
R851									
R852									
			PY04- RESISTORS(COMMON) CARBON FILM FIXED RES. ±5% 1/6W : RM81 RM83-RM85 RW01-RW04 RW31-RW34						
		R***							
			PY04- SEMICONDUCTORS						
▲ D851			DIODE, 1D3 1A/200V	HD20002710					
▲ D858									
D859			DIODE,1GWJ43	HD20031050					
D860			DIODE,1D3 1A/200V	HD20002710					
▲ D861			DIODE, S2VB20	HE20011290					
D862			DIODE,1D3 1A/200V	HD20002710					
D863			DIODE,1D3 1A/200V	HD20002710					
D864			DIODE,1D3 1A/200V	HD20002710					
▲ D865			ZENER, MTZJ3.0B	HD30301000					
D866			DIODE,1D3 1A/200V	HD20002710					
D867			DIODE,1D3 1A/200V	HD20002710					
D868			DIODE,1D3 1A/200V	HD20002710					
DM81									
			DIODE,1SS176,MA165,1SS254 30V 0.1A	HD20002000					
DM93									
▲ Q851			IC, NJM7815FA +15V 1A	HC38915090					
▲ Q852			IC, NJM7915FA	HC39915090					
▲ Q853			IC, NJM7805FA +5V	HC38905090					
▲ Q854			IC, NJM7905FA	HC39905090					
▲ Q855			IC, NJM7805FA +5V	HC38905090					
▲ Q856			IC, BA033T +3.3V 1A TYPE	HC36J33210					
▲ Q857			TRS. 2SC4793 O,Y	HT347932A0					
▲ Q858			TRS. 2SC4793 O,Y	HT347932A0					
QM81			IC,74HC4094 16PIN DIP	HC709449B0					
QM82			IC,74HC4094 16PIN DIP	HC709449B0					
QM83									
			DIG.TRS.DTA114ES/UN4111 10K,10K	BA10001000					
QM88									
QM89			DIG.TRS.DTC114ES/UN4211 10K,10K	BA20001000					
QM90			DIG.TRS.DTA114ES/UN4111 10K,10K	BA10001000					
QW01			IC,NJM-2068-DD	HC10053090					
QW31			IC,NJM4558D-D	HC10008090					
QY01			IC,TC74HC368AP	HC736805B0					

NOTE : "nsp" PART IS LISTED FOR REFERENCE ONLY, MARANTZ WILL NOT SUPPLY THESE PARTS.