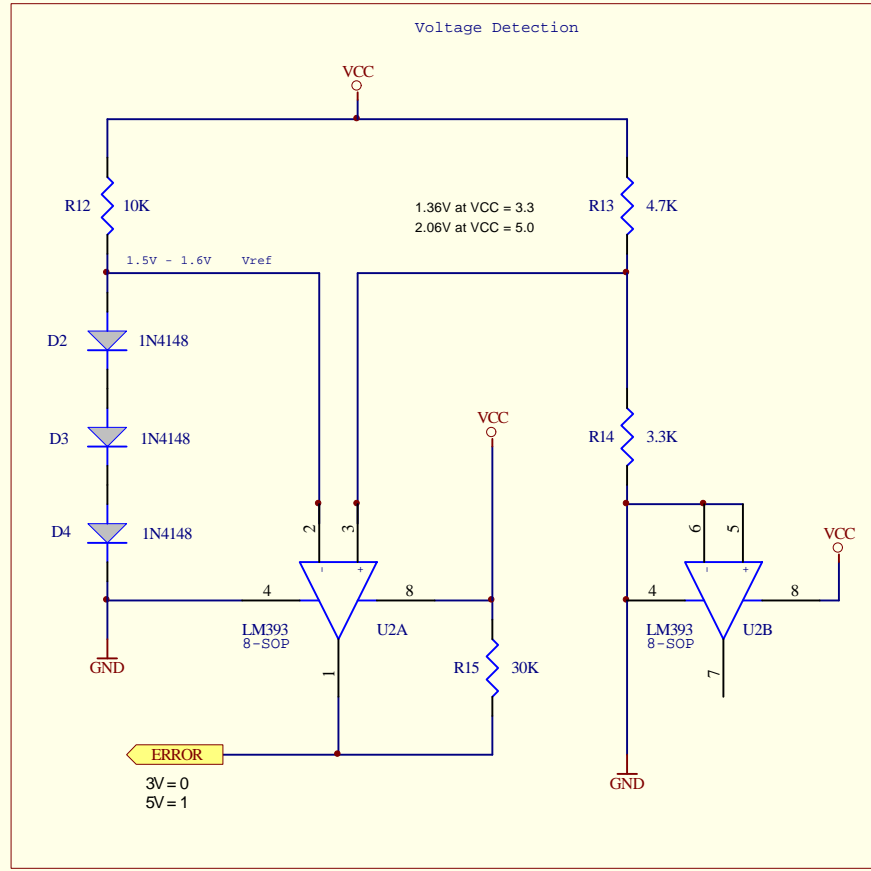
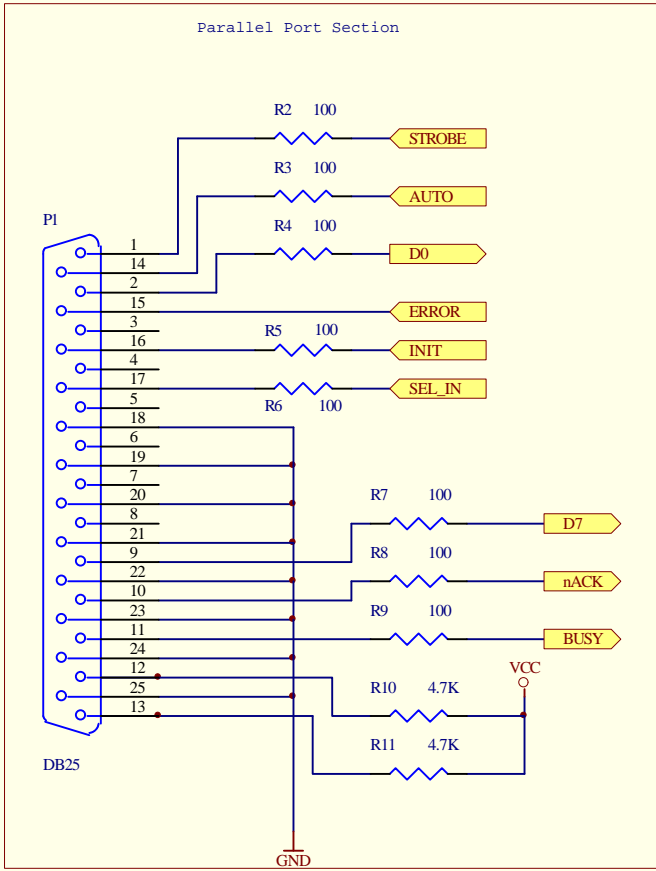


Title		
Size	Number	Revision
Orcad A		
Date:	27-Sep-2001	Sheet of
File:	C:\ISP\isp_cable\rev5\isp_r5.ddb	Drawn By:



Title		
Size	Number	Revision
Orcad A		
Date:	10-Jun-2002	Sheet of
File:	C:\ISP\isp_cable\rev5\isp_r5.ddb	Drawn By: