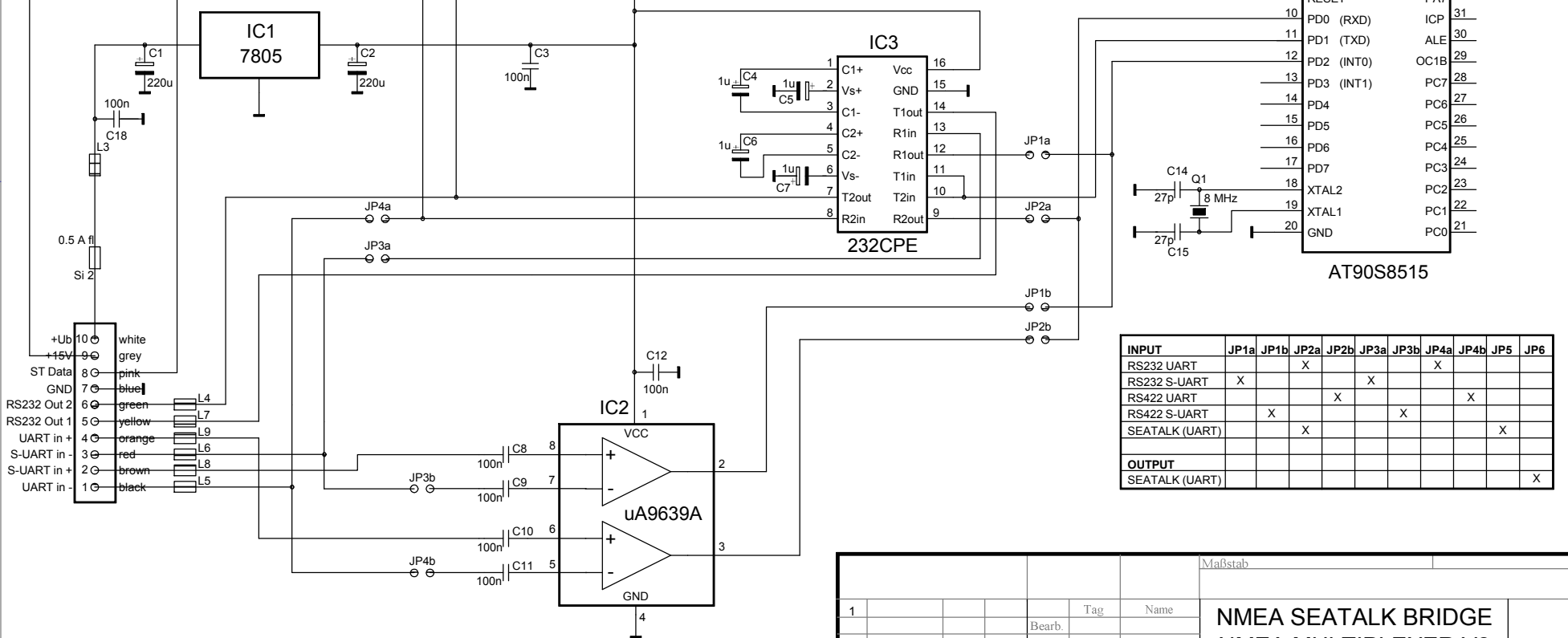
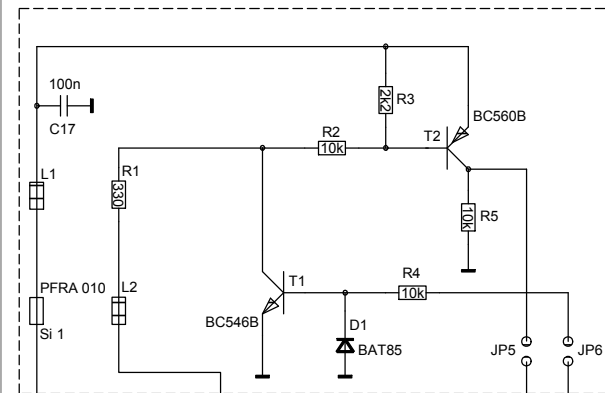


Sealtalk Bridge only



INPUT	JP1a	JP1b	JP2a	JP2b	JP3a	JP3b	JP4a	JP4b	JP5	JP6
RS232 UART			X				X			
RS232 S-UART	X			X						
RS422 UART			X					X		
RS422 S-UART		X			X					
SEALTALK (UART)			X						X	
<b>OUTPUT</b>										
SEALTALK (UART)										X

				Maßstab	
1				Tag	Name
				Bearb.	
				Gepr.	
				Norm.	
				NMEA SEALTALK BRIDGE NMEA MULTIPLEXER V2	
				SEALTALK	
Ausgabe	Änderung	Tag	Name		