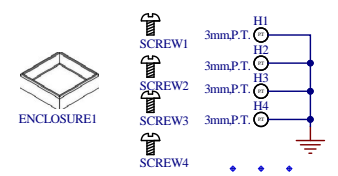
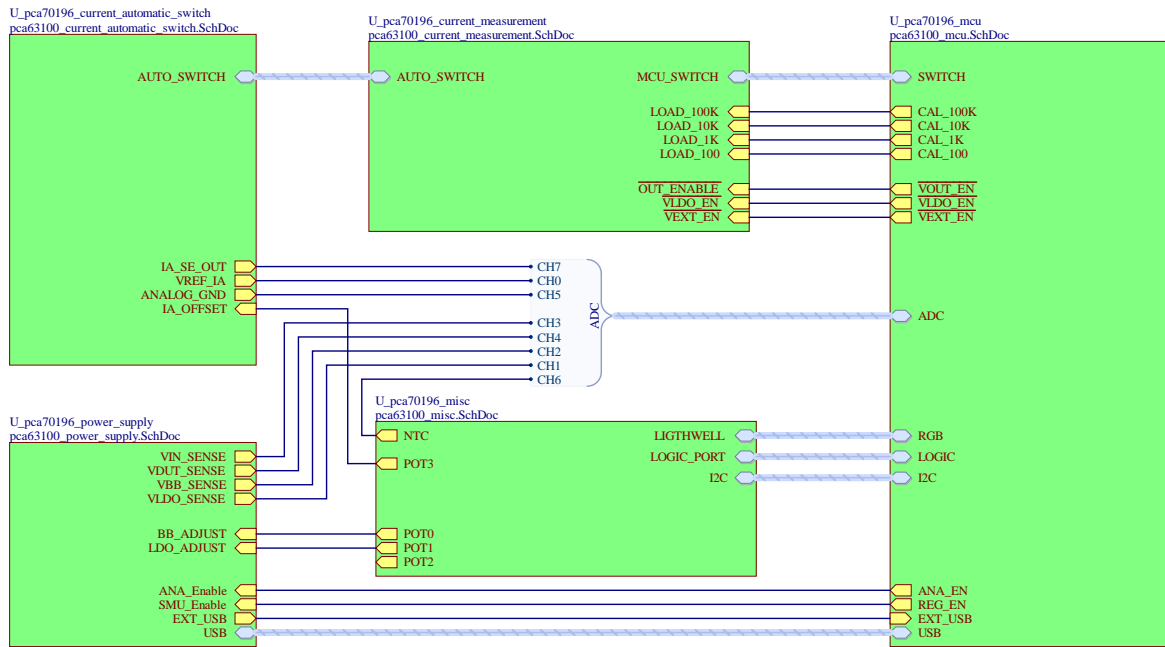
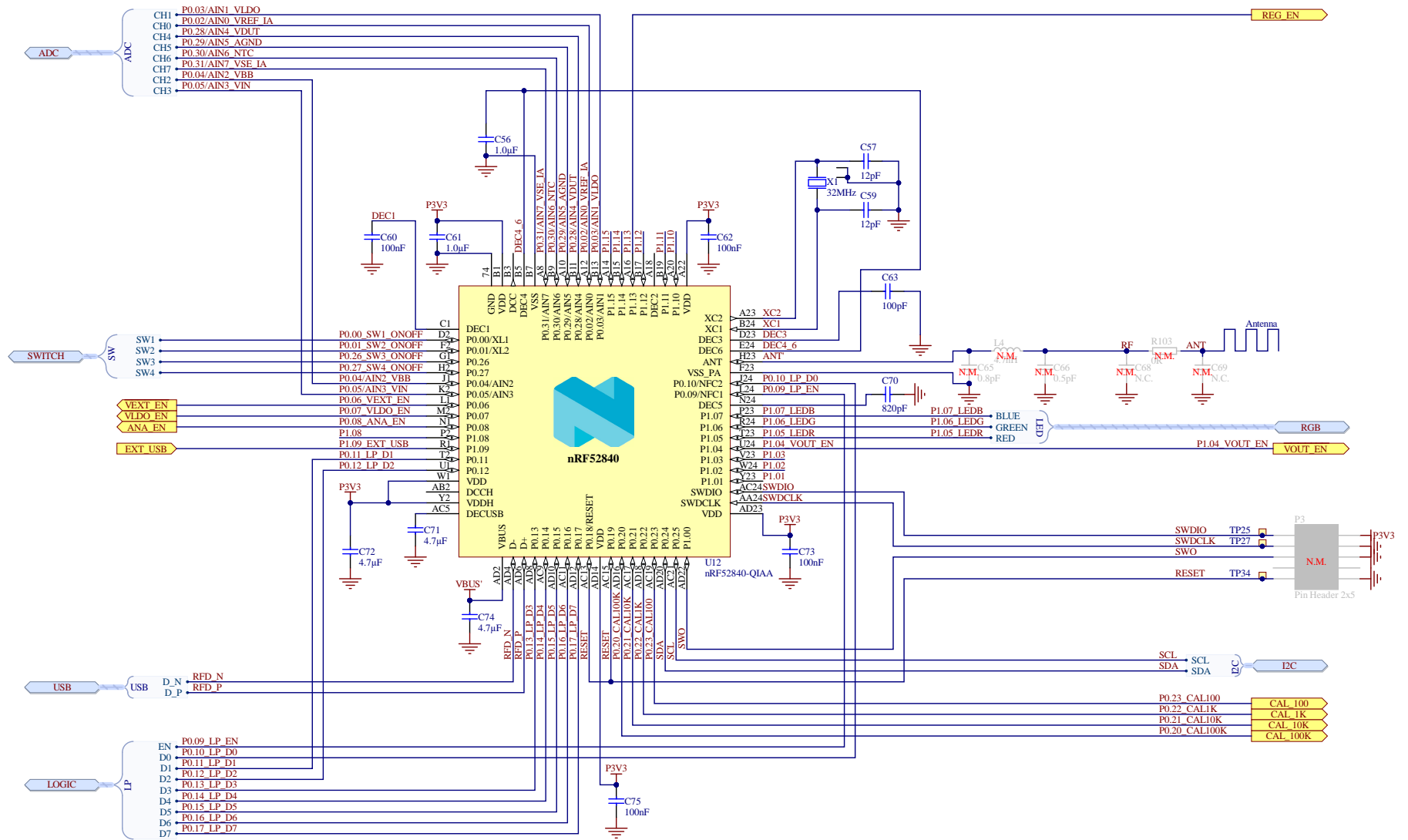


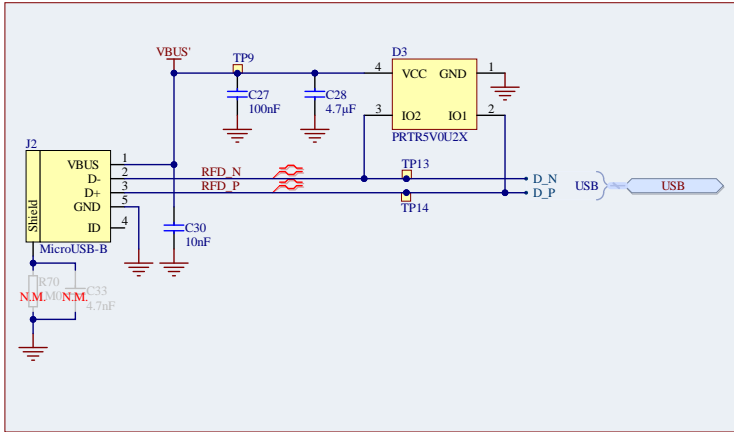
Power Profiler Kit II



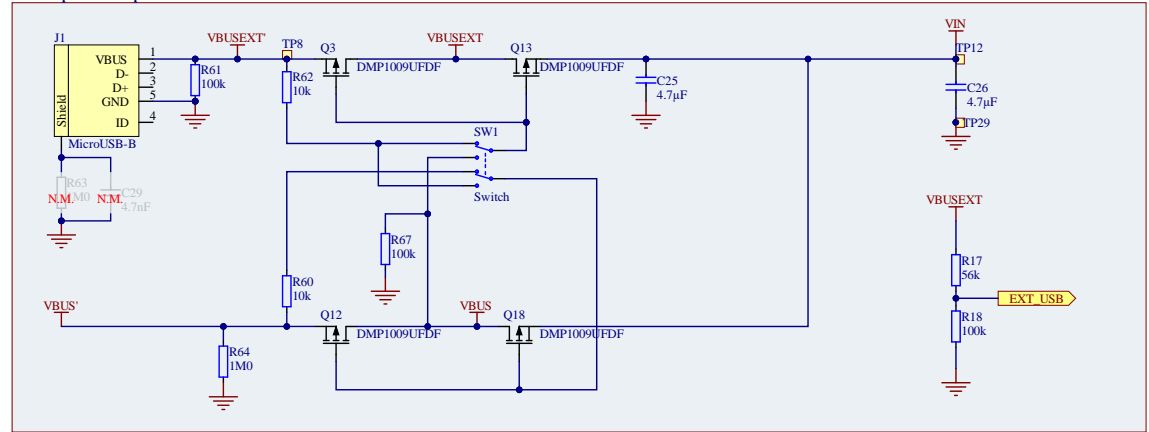
Power Profiler Kit II			
Size A3	Project Number PCA63100	Revision 1.0.1	
Date: 02.11.2020	Sheet 1 of 6		
File: pca63100_top.SchDoc	Drawn By: HANY		



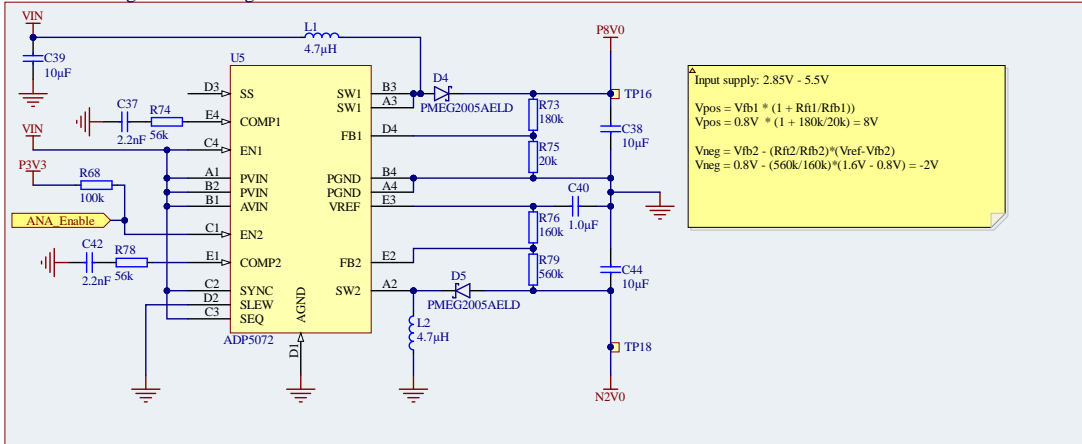
USB Communication Interface



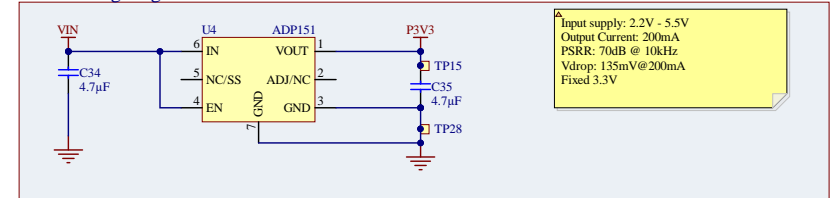
Extra power input



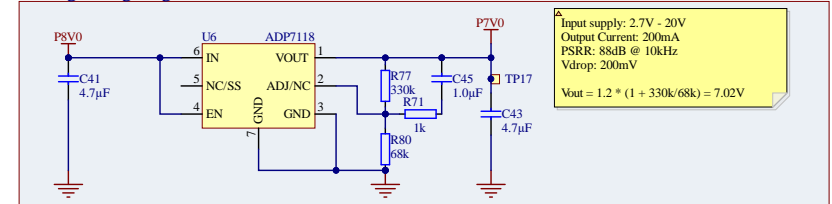
Positive and negative boost regulator



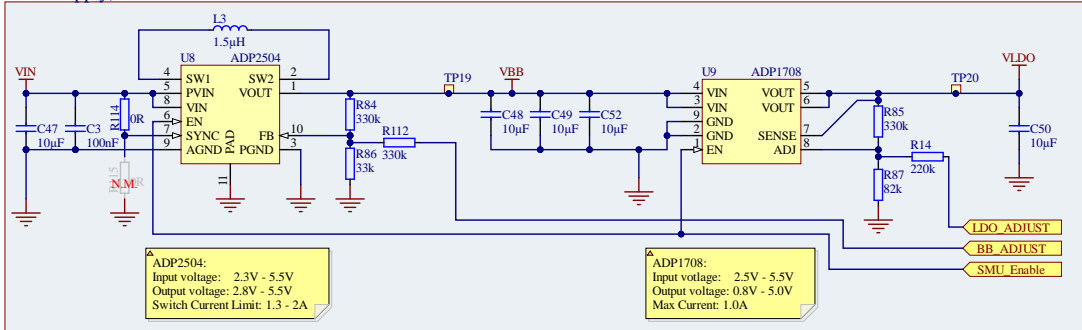
MCU Voltage regulator



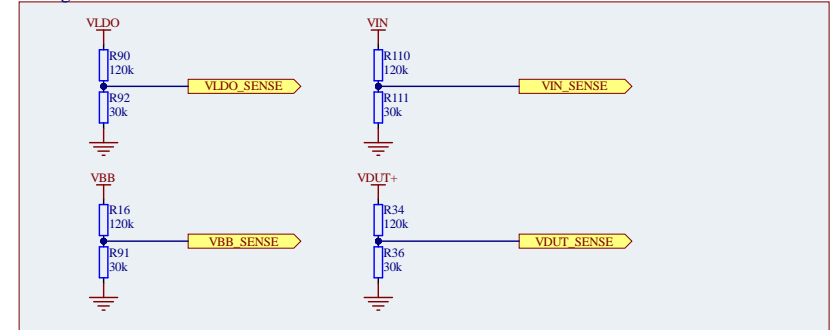
Analog voltage regulator



SMU Supply, Buck-Boost + LDO

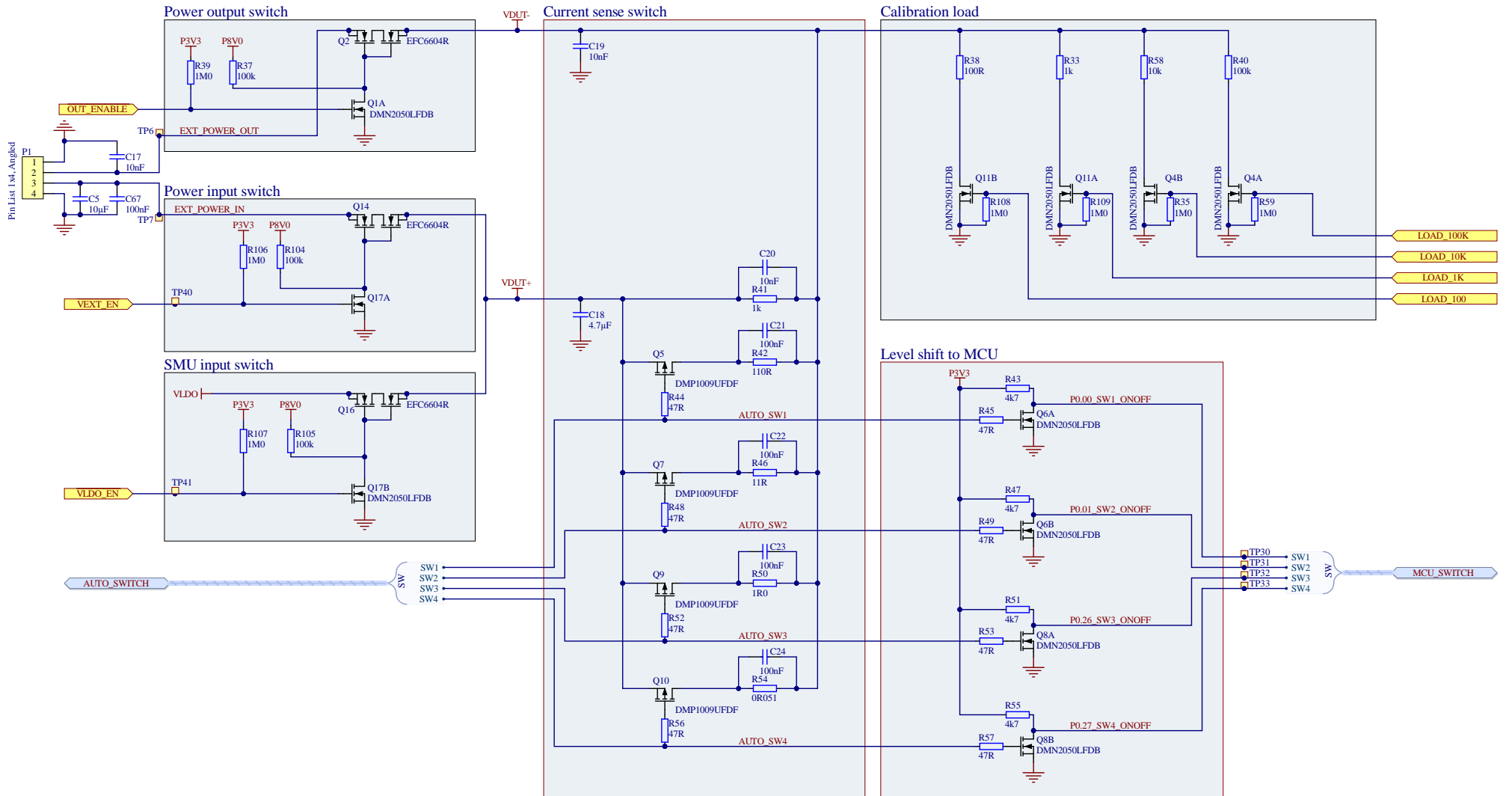


Voltage Measurements

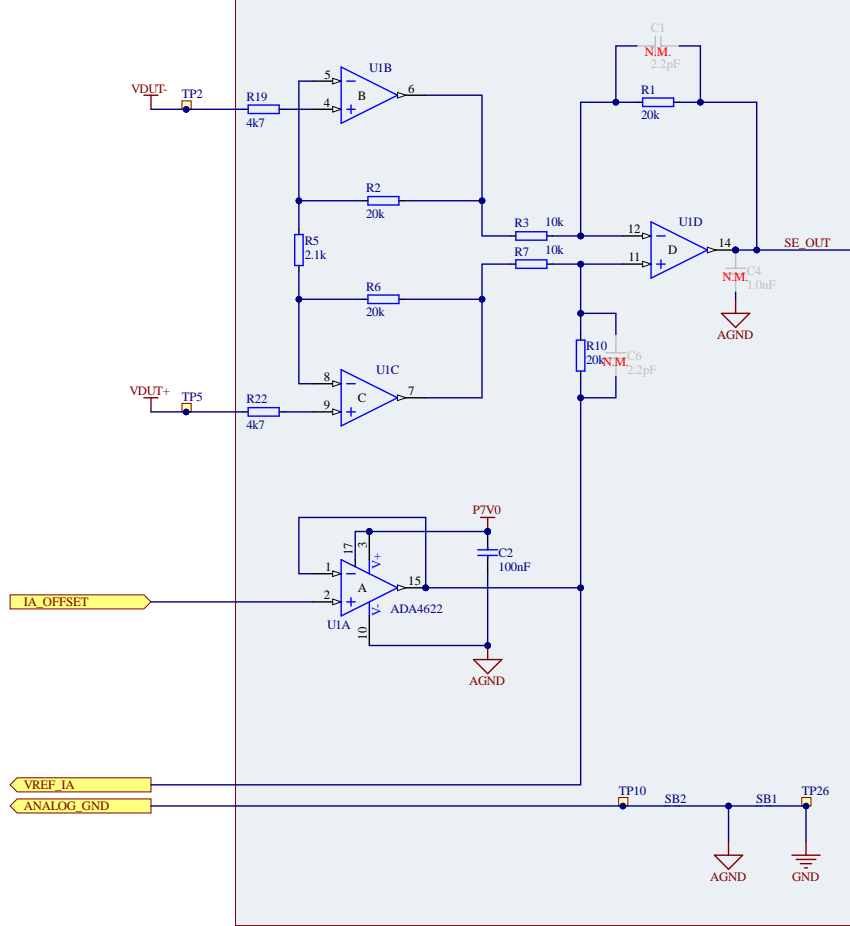


Power Profiler Kit II

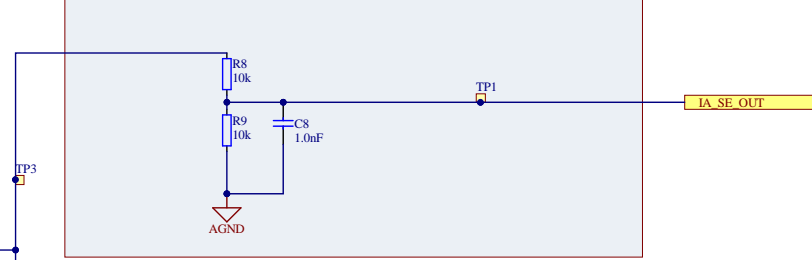
Size A3	Project Number PCA63100	Revision 1.0.1	
Date: 23.11.2020	File: pca63100_power_supply.SchDoc	Sheet 3 of 6	
		Drawn By: HANY	



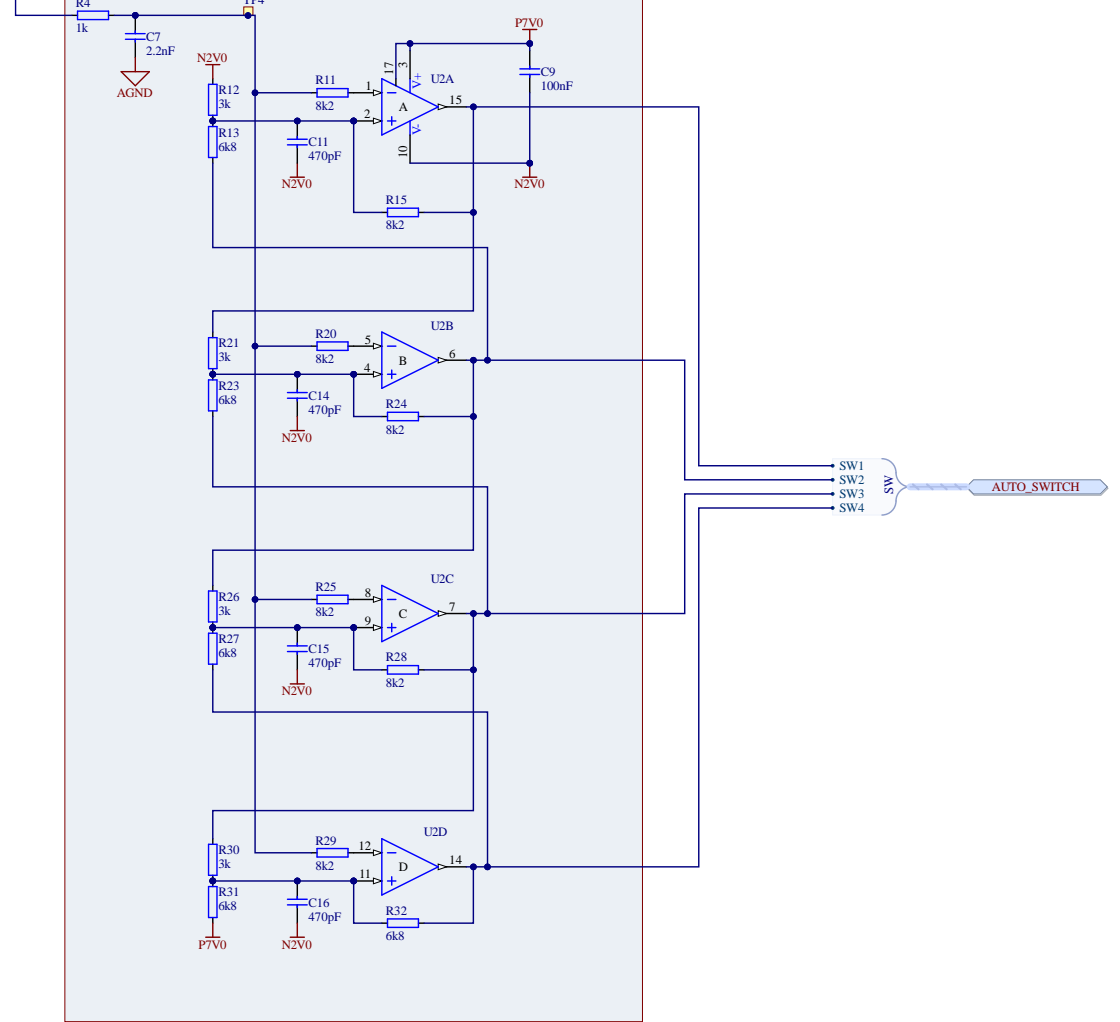
Instrumentation amplifier




Signal conditioning



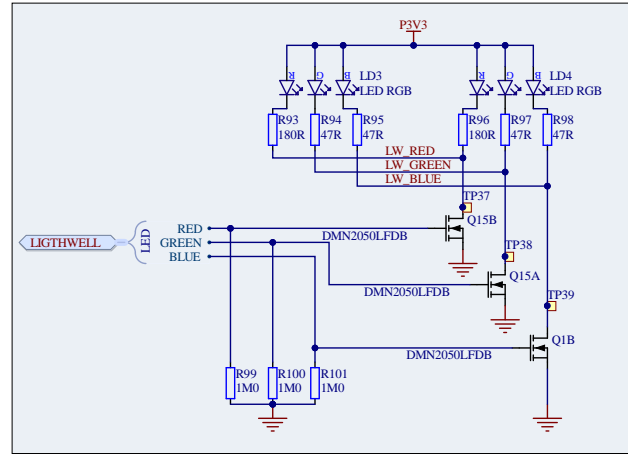
Automatic switching



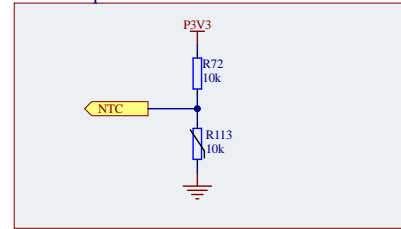
Power Profiler Kit II

Size A3	Project Number PCA63100	Revision 1.0.1	
Date: 23.11.2020	File: pca63100_current_automatic_switch.SchDoc	Sheet 5 of 6	
		Drawn By: HANY	

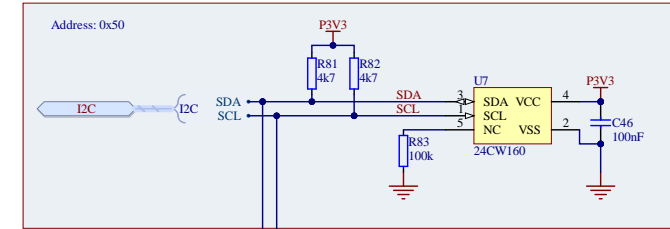
LEDs



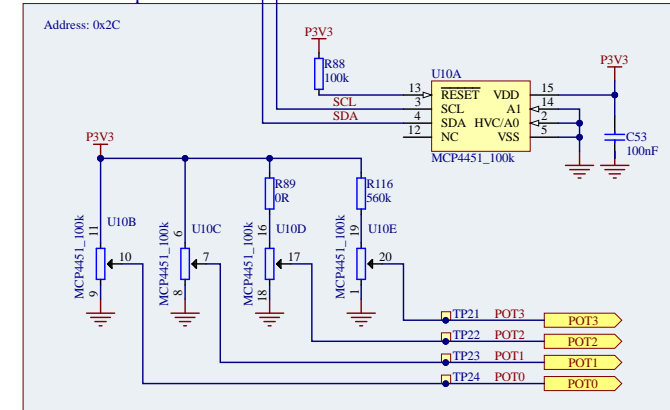
NTC Temperature Sensor



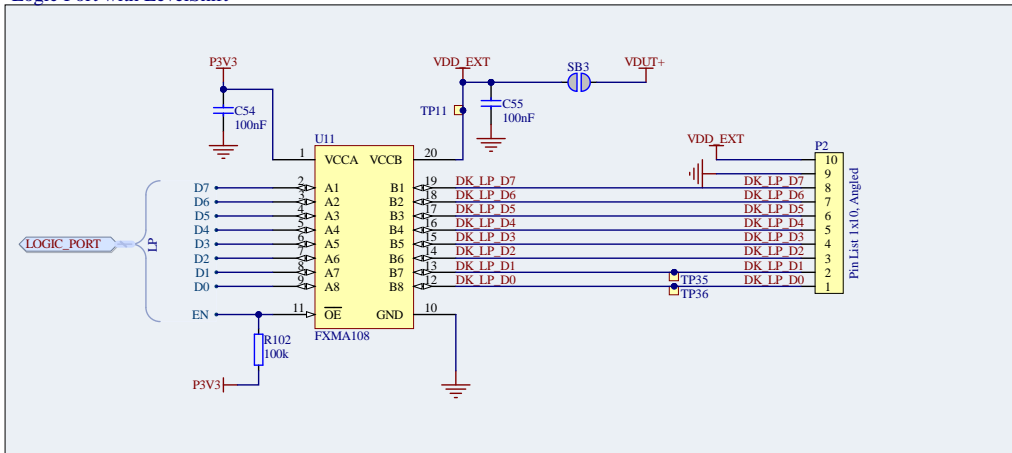
I2C Interface EEPROM



I2C Interface potmeter



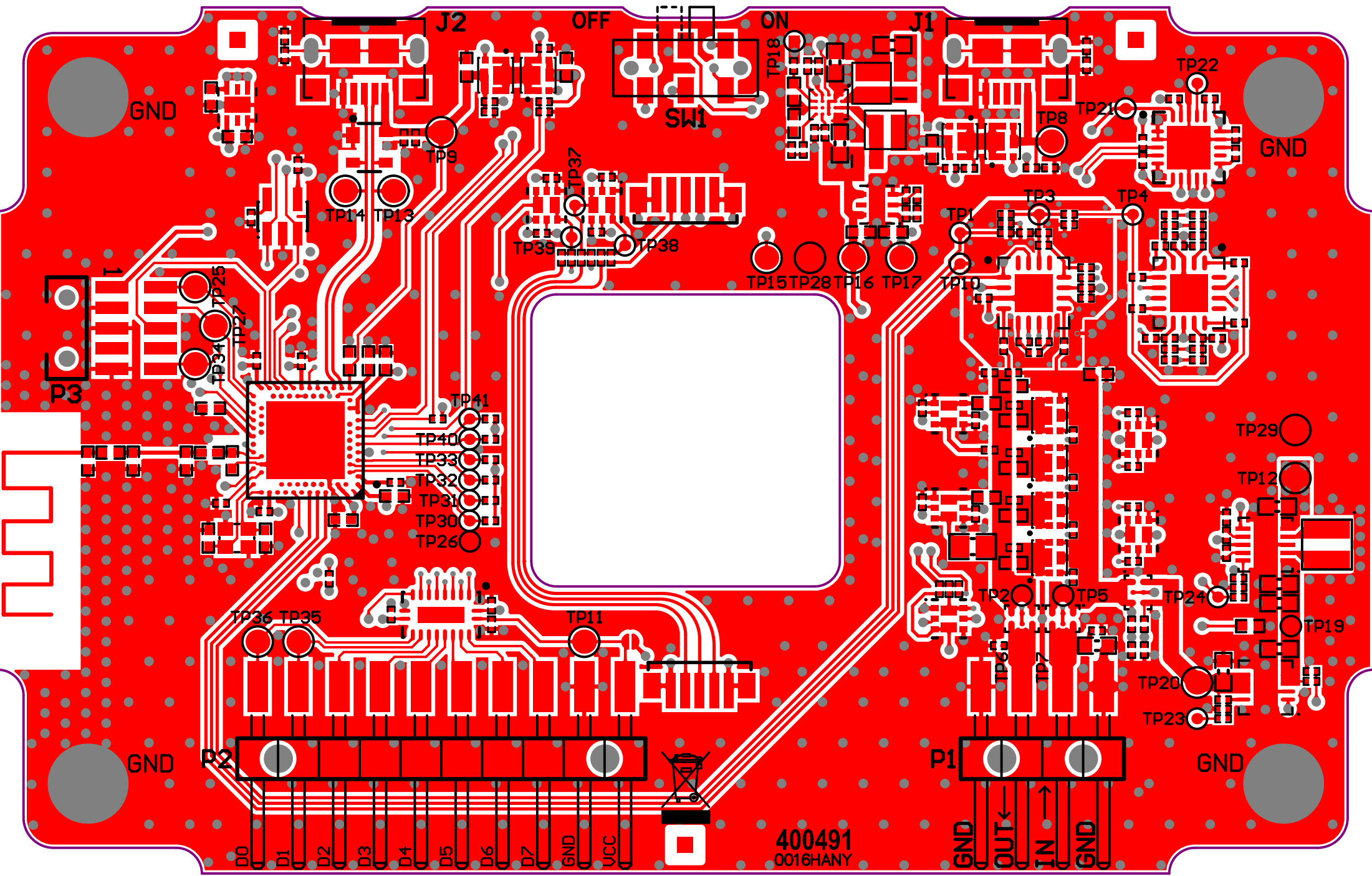
Logic Port with LevelShift



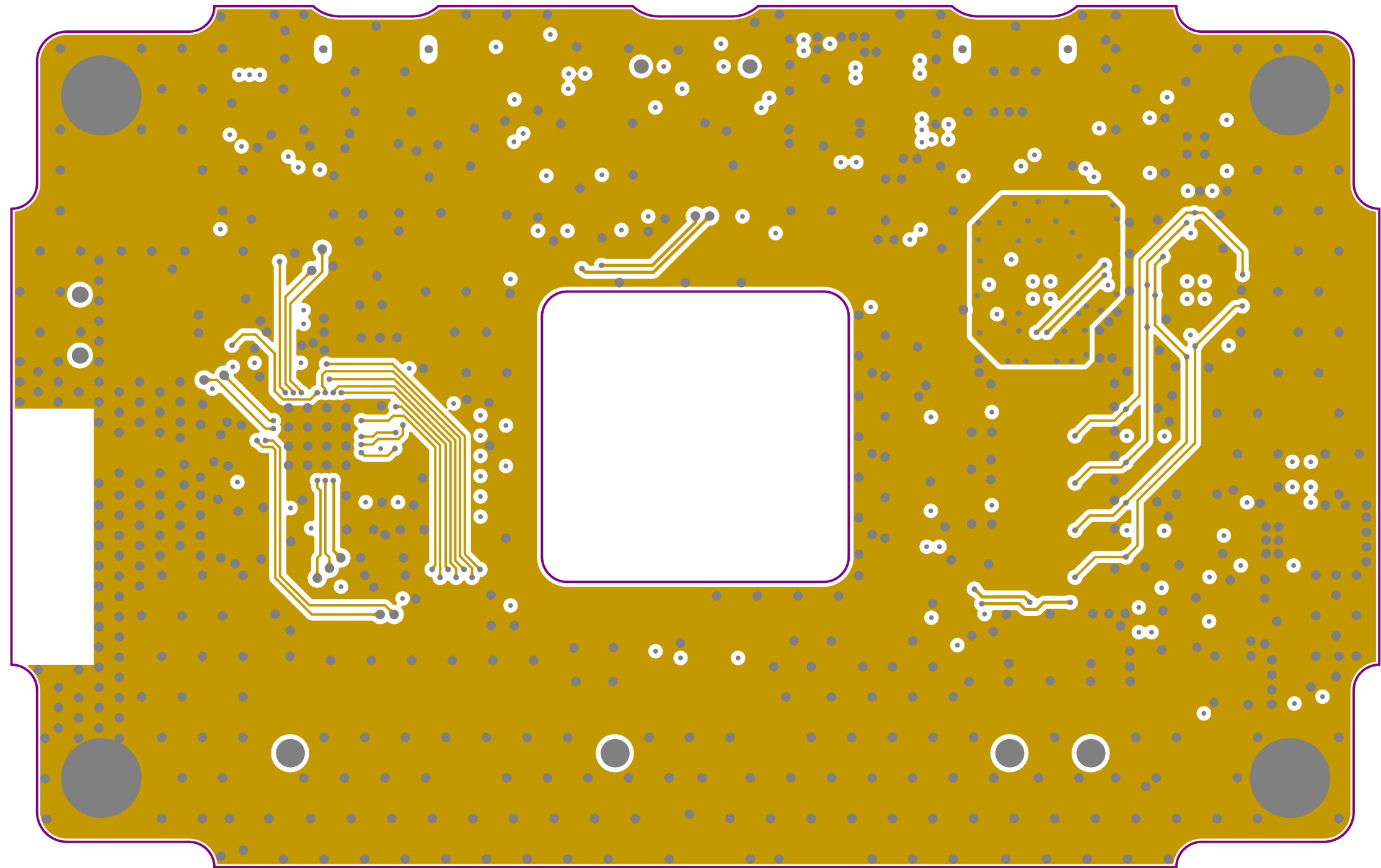
Power Profiler Kit II

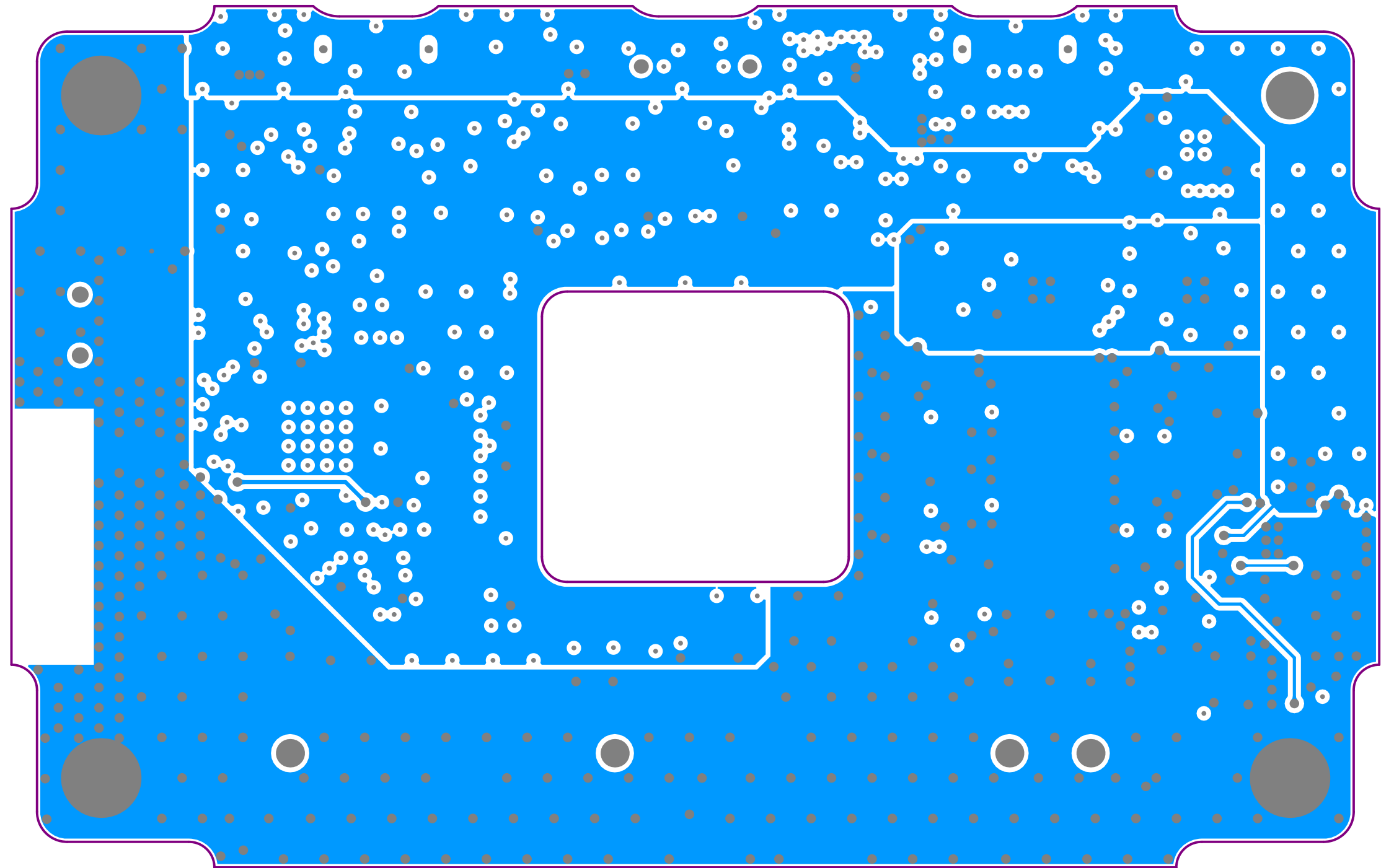
Size A3	Project Number PCA63100	Revision 1.0.1
Date: 02.11.2020	Sheet 6 of 6	
File: pca63100_misc.SchDoc	Drawn By: HANY	





400491
0016HANY





Power Profiler Kit II



Getting started:
nordicsemi.com/startupkz

