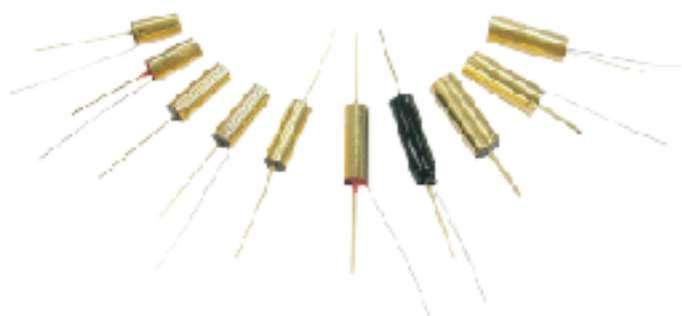




Tilt Switch Ball-Rolling Switch AT Series



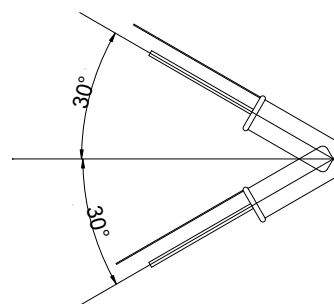
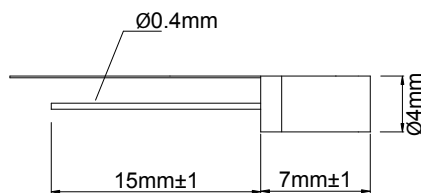
SPECIFICATION

- Electrical Rating : <6mA 24VDC
- Electrical Life: >50,000 Cycles
- Contact Resistance: 1 Ω
- Solder Temperature: 250°C 3 Seconds
- Ambient Temperature: 0°C~100°C

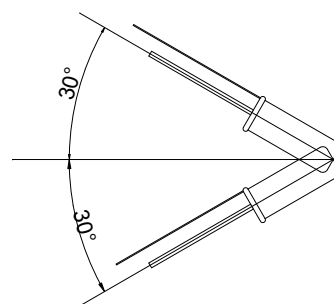
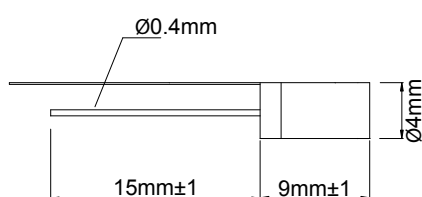
MATERIAL

- Canister: Copper Gold Plated
- Electrode: Copper Gold Plated
- Rolling Ball: Stainless Steel Gold Plated
- Insulated Piece: Nylon 46(94V-0)

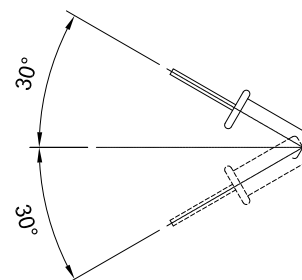
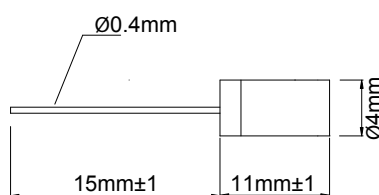
AT407 (Gold Shell Coating)



AT409



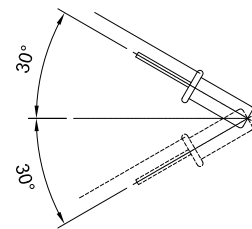
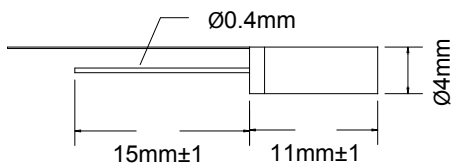
AT411



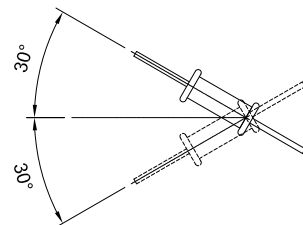
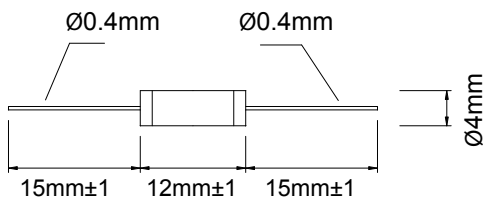


Tilt Switch Ball Rolling Switch AT Series

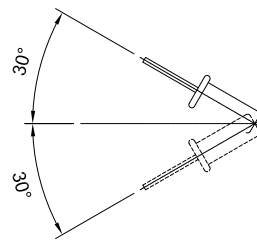
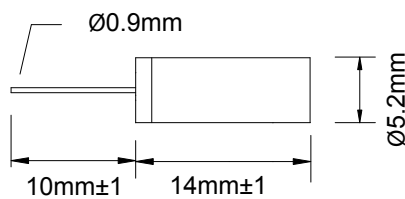
AT411-2



AT411-R2



AT514



AT514-3

