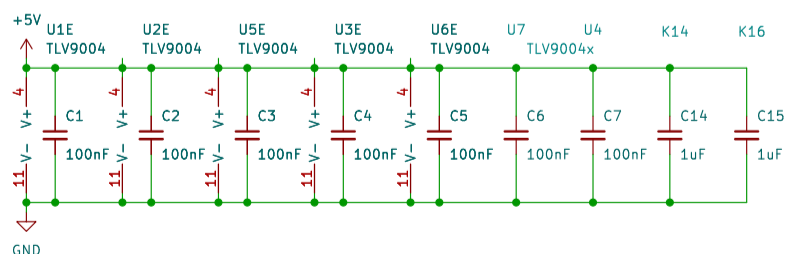
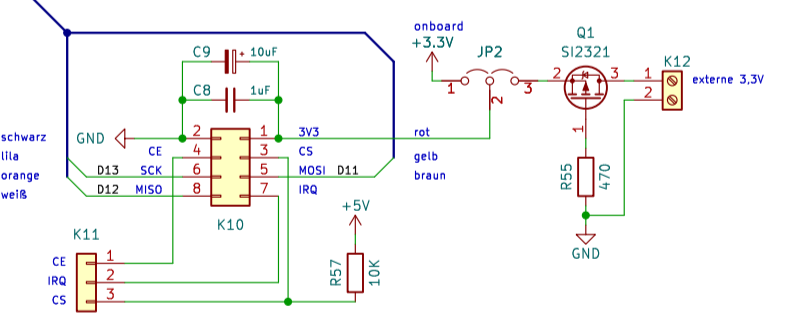
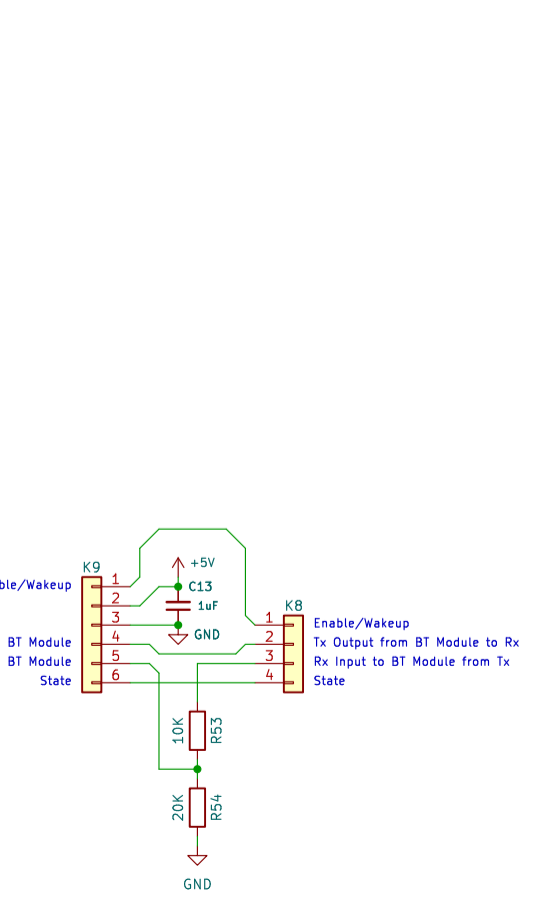
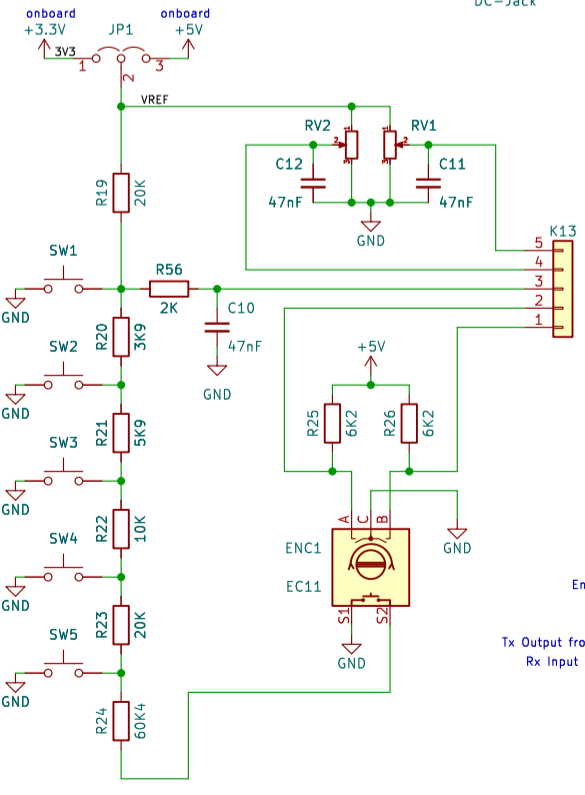
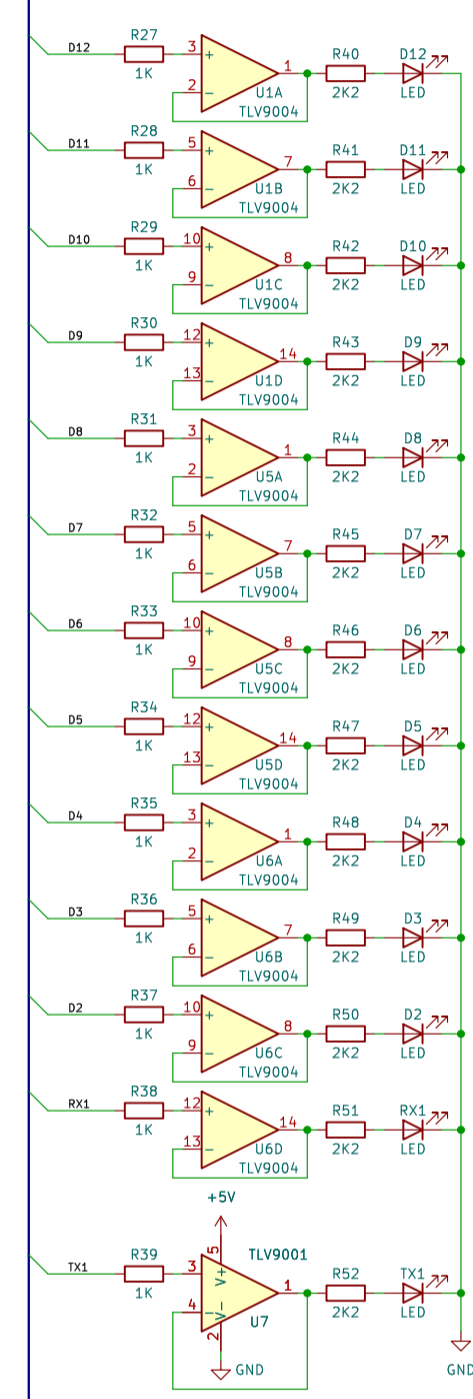
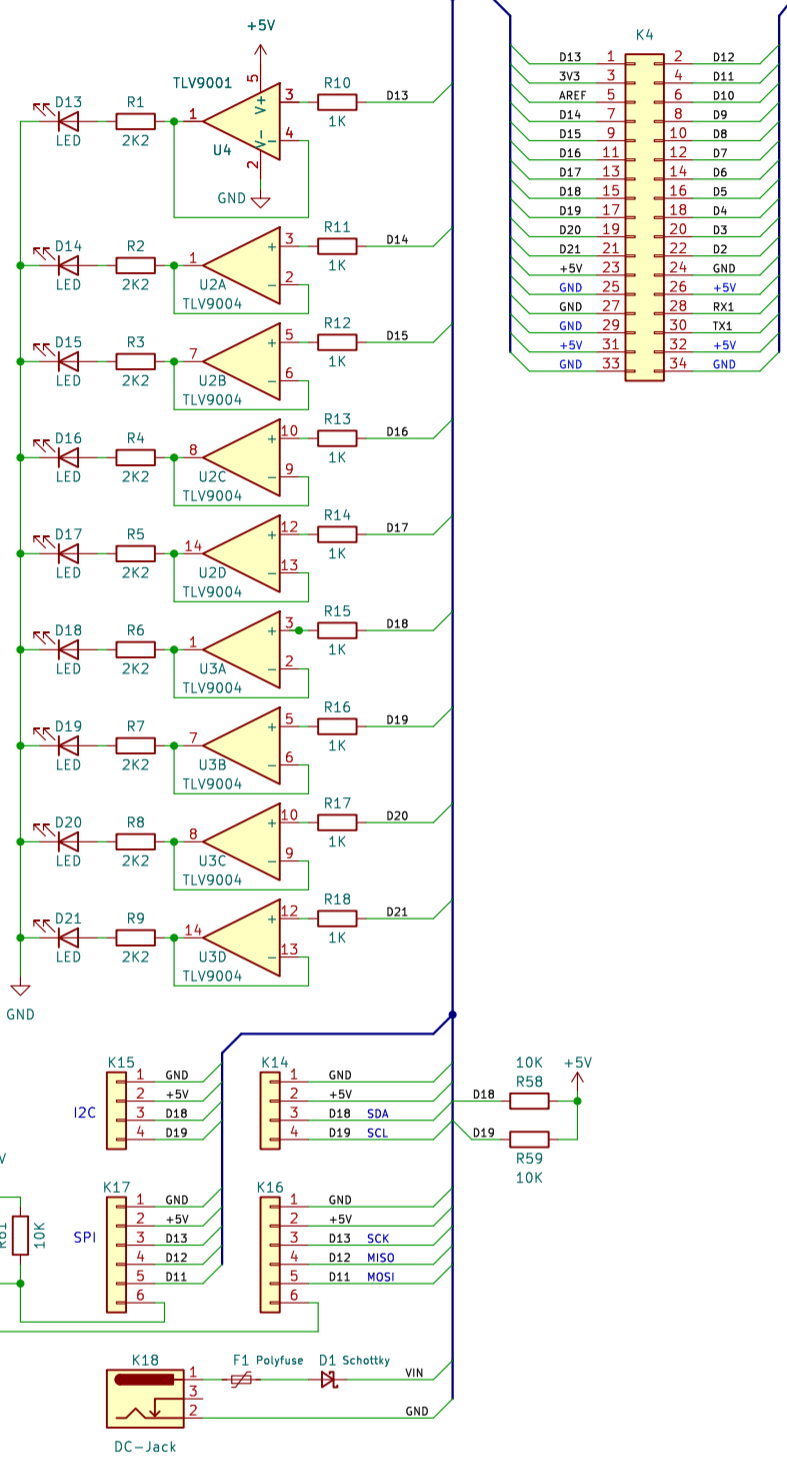
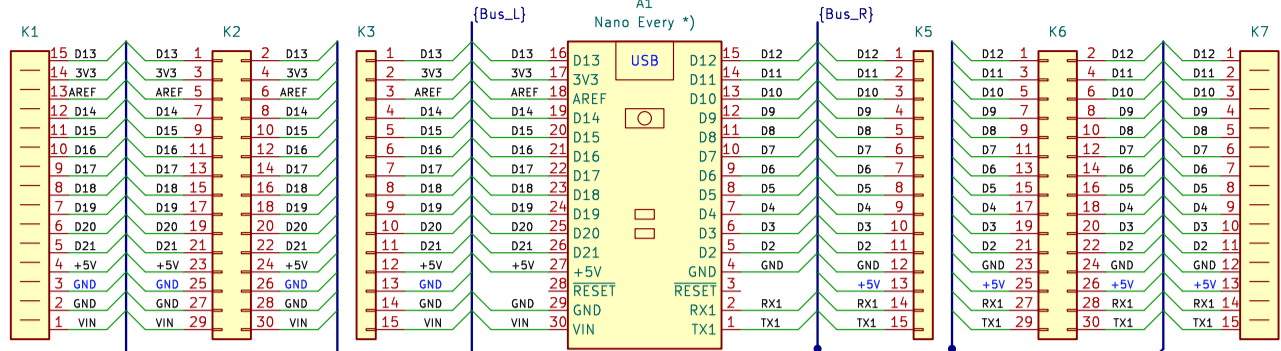


- Drill-Hole1
- Drill-Hole2
- Drill-Hole3
- Drill-Hole4
- Drill-Hole5
- Drill-Hole6
- Drill-Hole7
- Drill-Hole8
- Drill-Hole9
- Drill-Hole10
- TP1
- TP2
- GND
- GND



*) Nano 328P & Nano Every kompatibel, nur die Pins D0/D1 bzw. RX/TX unterscheiden sich.