

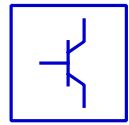
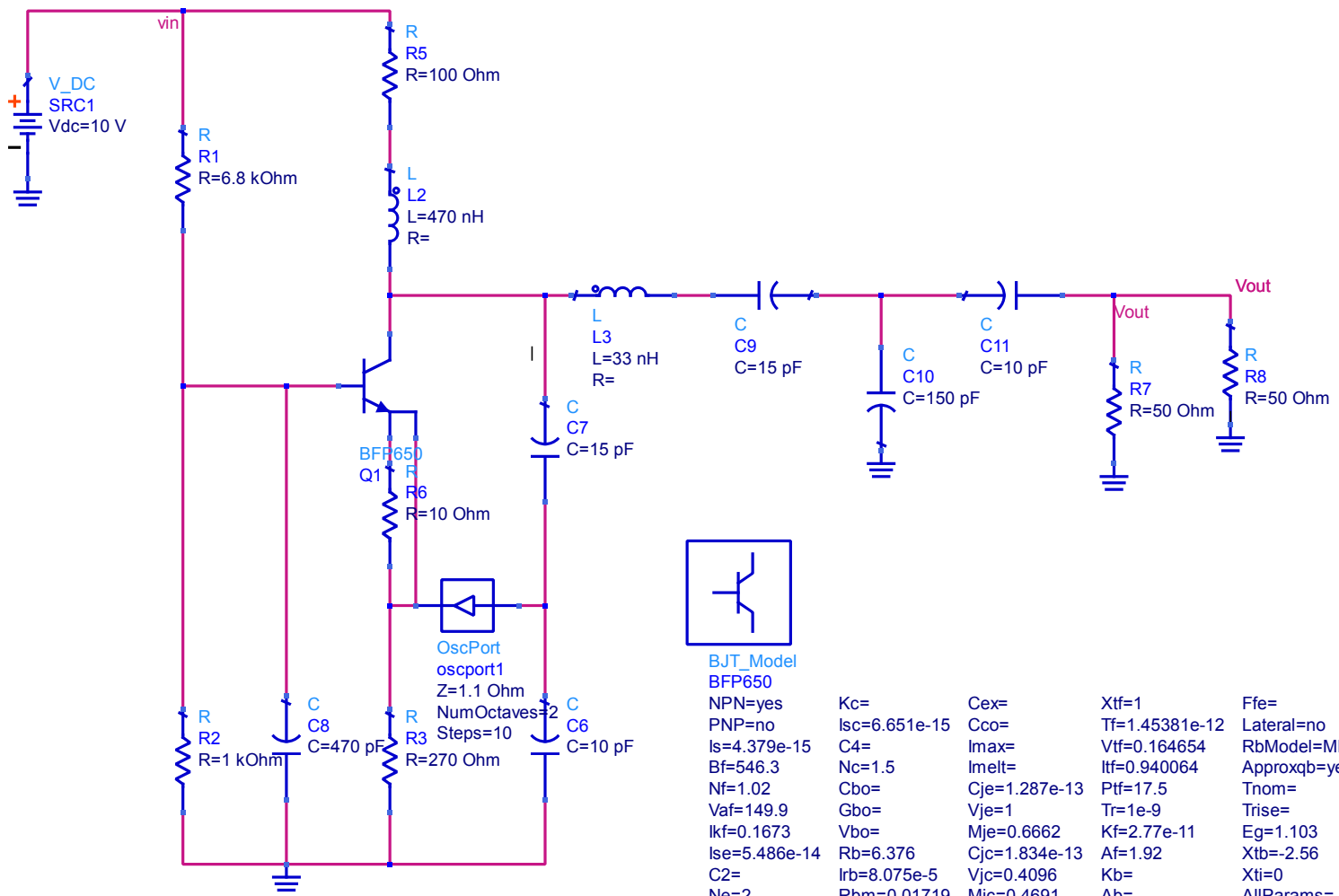
Oscillator Spectrum

Determine oscillation frequency and harmonic output levels

DisplayTemplate
disptemp1
"GS_Oscillator_Spect"

HARMONIC BALANCE

HarmonicBalance
HB1
Freq[1]=433 MHz
Order[1]=10
StatusLevel=3
OscMode=yes
OscPortName="Yes"



BJT_Model
BFP650
NPN=yes
PNP=no
Kc=
Isc=6.651e-15
C4=
Nc=1.5
Cbo=
Gbo=
Vbo=
Ise=5.486e-14
Rb=6.376
Irb=8.075e-5
Rbm=0.01719
Ne=2
Br=185.8
Nr=1
Var=1.816
lkr=0.01136
Ke=
Cex=
Cco=
Imax=
Imelt=
Cje=1.287e-13
Vje=1
Mje=0.6662
Cjc=1.834e-13
Vjc=0.4096
Mjc=0.4691
Xcjc=0.5
Cjs=1.7e-13
Vjs=0.51
Mjs=0.1192
Fc=0.2723
Xtf=1
Tf=1.45381e-12
Vtf=0.164654
Itf=0.940064
Ptf=17.5
Tr=1e-9
Kf=2.77e-11
Af=1.92
Kb=
Ab=
Fb=
Rbnoi=
Iss=
Ns=
Nk=
Ffe=
Lateral=no
RbModel=MDS
Approxqb=yes
Tnom=
Trise=
Eg=1.103
Xtb=-2.56
Xti=0
AllParams=