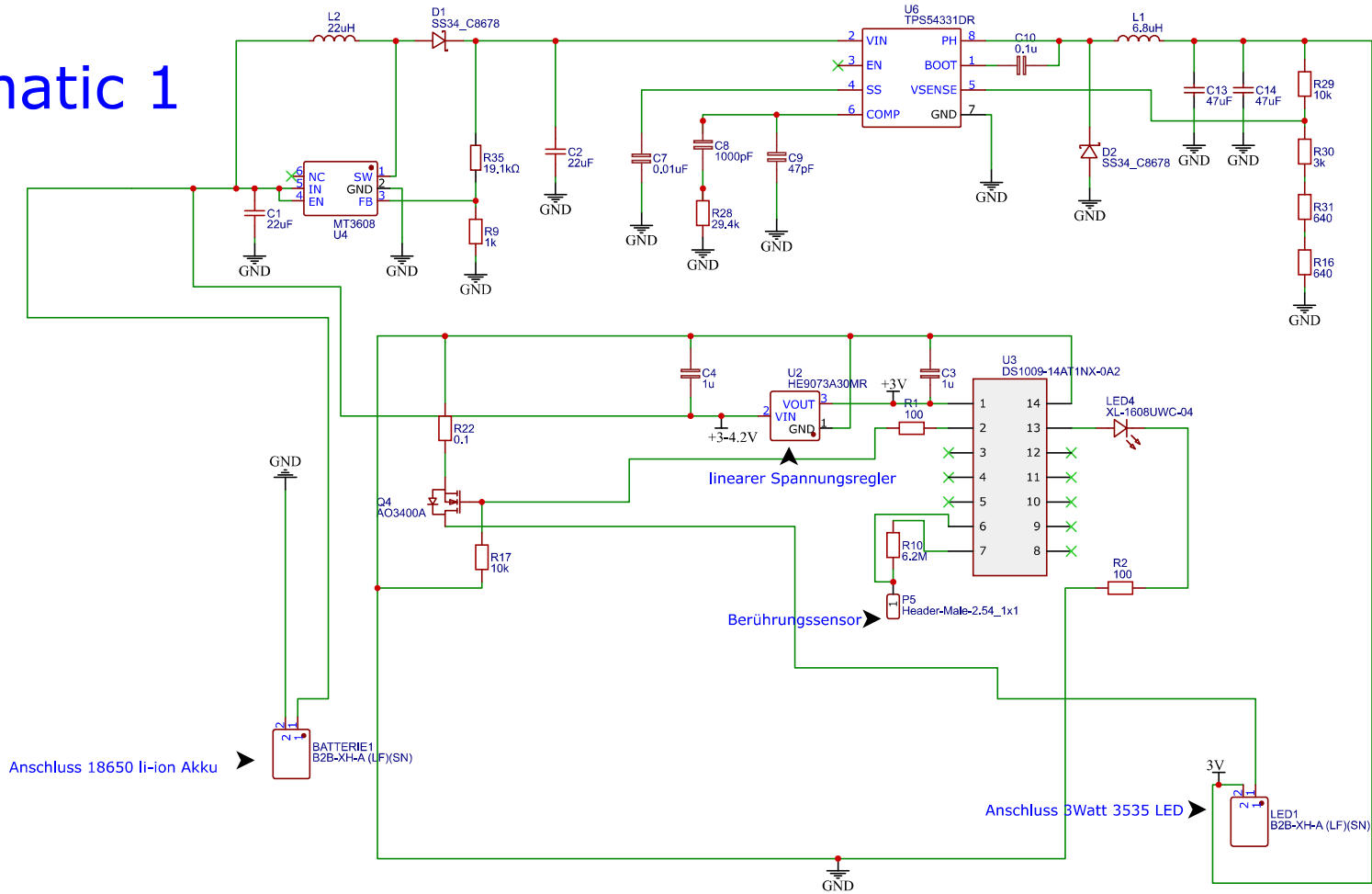


Schematic 1



TITLE:	Sheet_1	REV:	1.0
Company:	Your Company	Sheet:	1/1
Date:	2023-07-31	Drawn By:	gerrit_kempen

