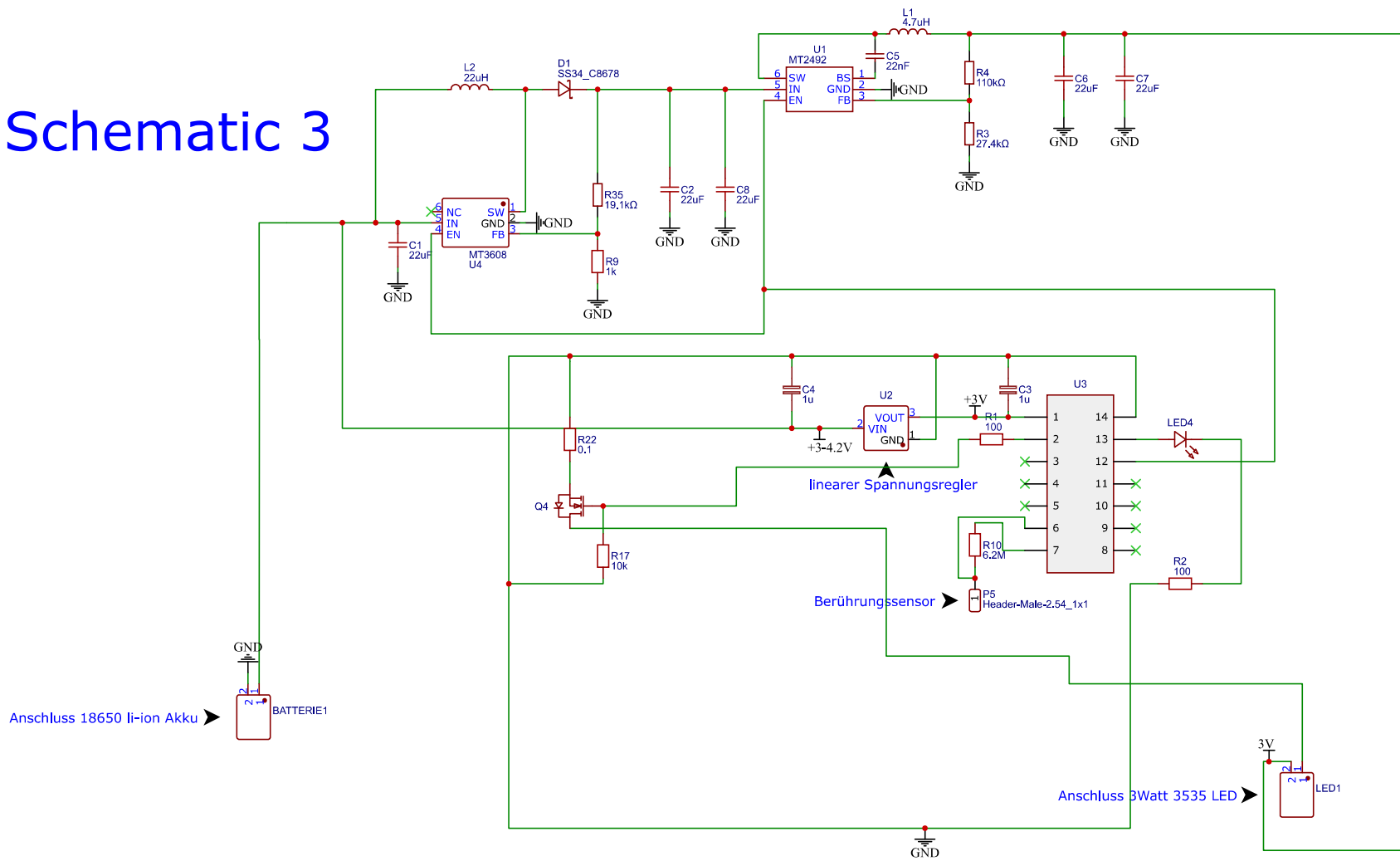


Schematic 3



TITLE: Sheet_1	REV: 1,0
Company: Your Company	Sheet: 1/1
Date: 2023-08-01	Drawn By: gerrit_kempton