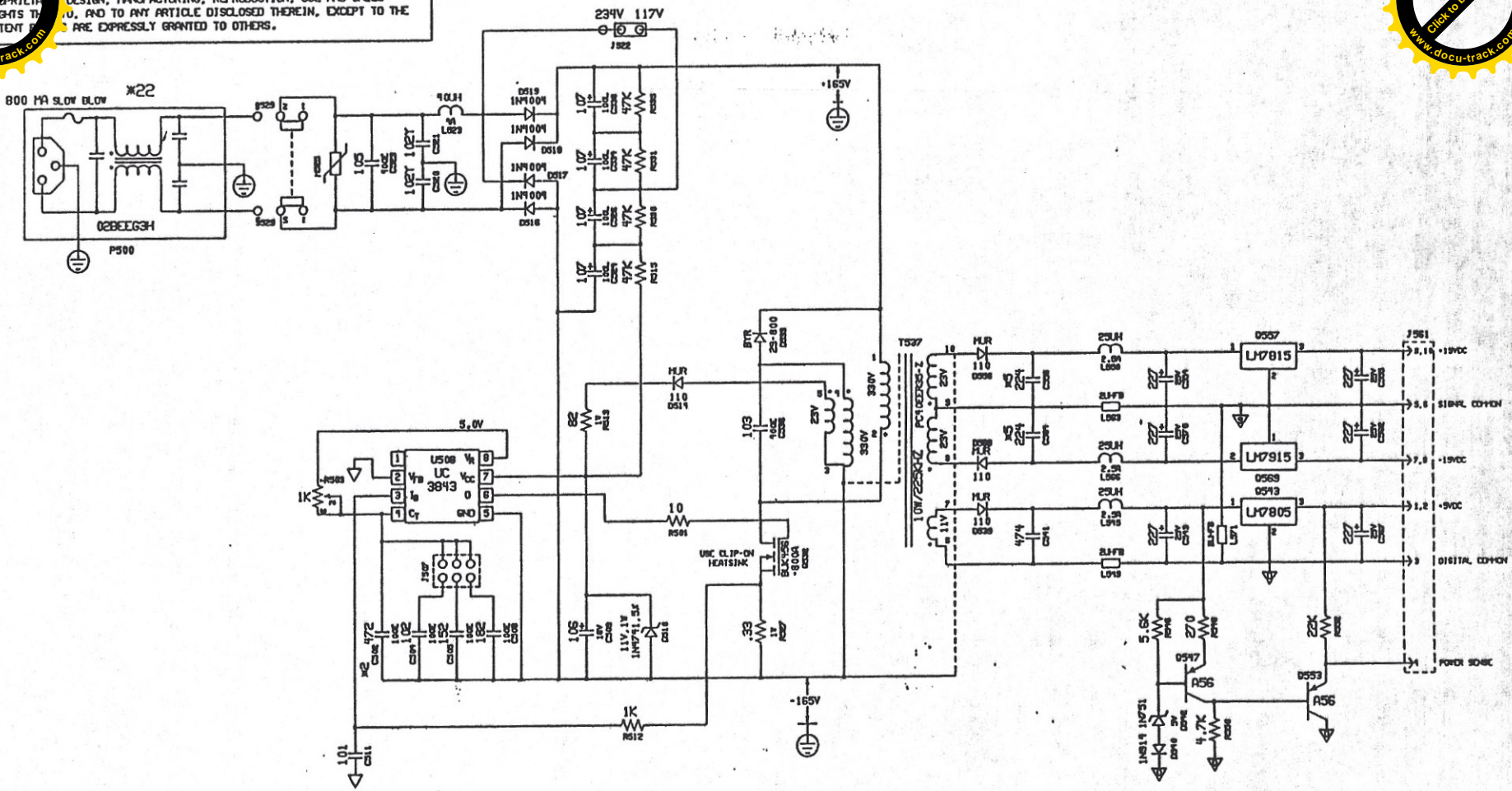


THIS INFORMATION AND DESIGN DISCLOSED HEREIN WAS ORIGINATED BY AND IS THE PROPERTY OF GALLIEN-KRUEGER. GALLIEN-KRUEGER RESERVES ALL PATENT, DESIGN, MANUFACTURING, REPRODUCTION, USE AND SALES RIGHTS THEREIN, AND TO ANY ARTICLE DISCLOSED THEREIN, EXCEPT TO THE EXTENT EXPRESSLY GRANTED TO OTHERS.



603.0005.4.10

PCO#	DATE	FIRST SN	PCO#	DATE	FIRST SN	PCO#	DATE	FIRST SN	PCO#	DATE	FIRST SN
2	2-11-91		9	3-27-91							
5	3-25-91		22	7-25-91							