

FORM NO. RDD019-1  
 DISK  
 ECN

UNI-T  
 优利德科技(东莞)有限公司  
 UNI-TREND TECHNOLOGY (DONGGUAN) LIMITED

REV. 1  
 SH. 1  
 FORM. A4

DWN 张秉昱 07-06-22

CHK

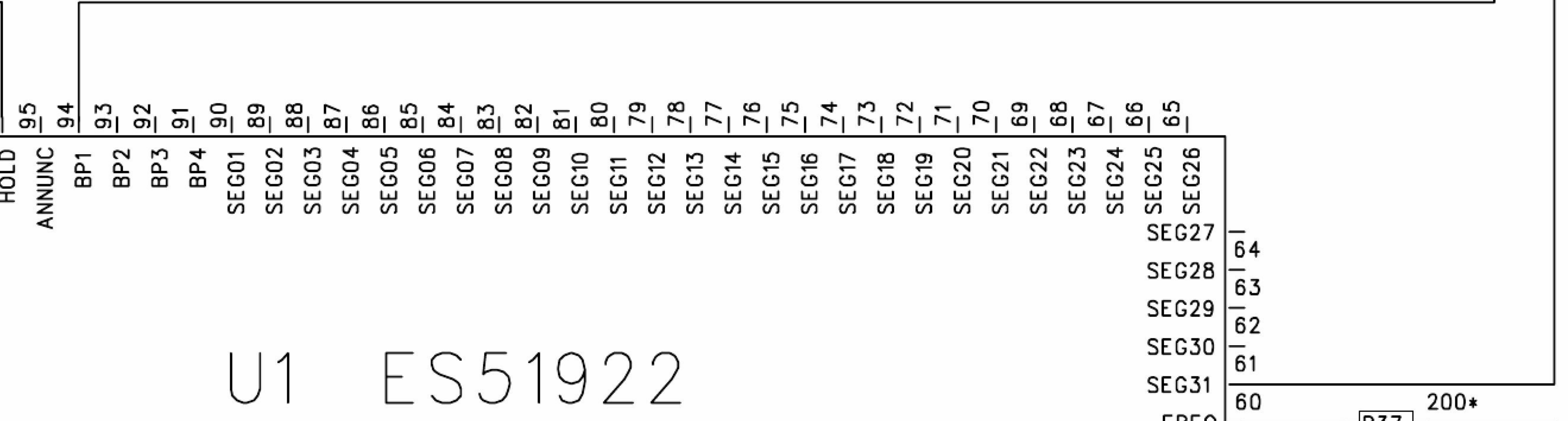
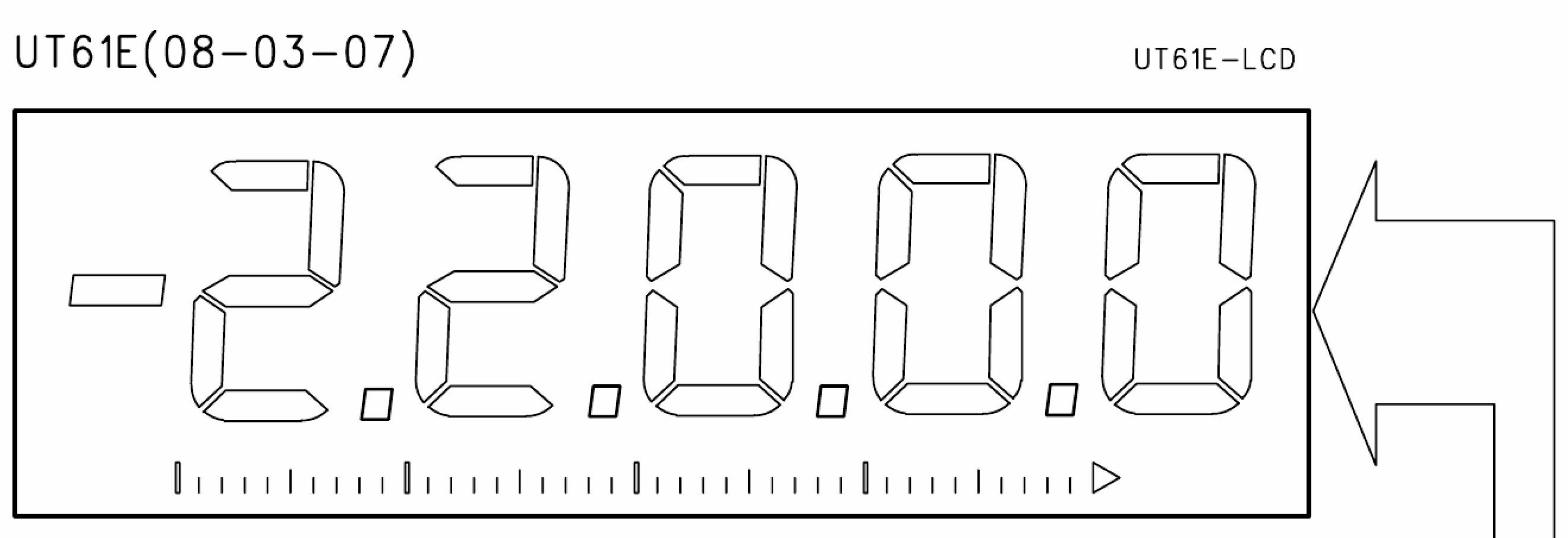
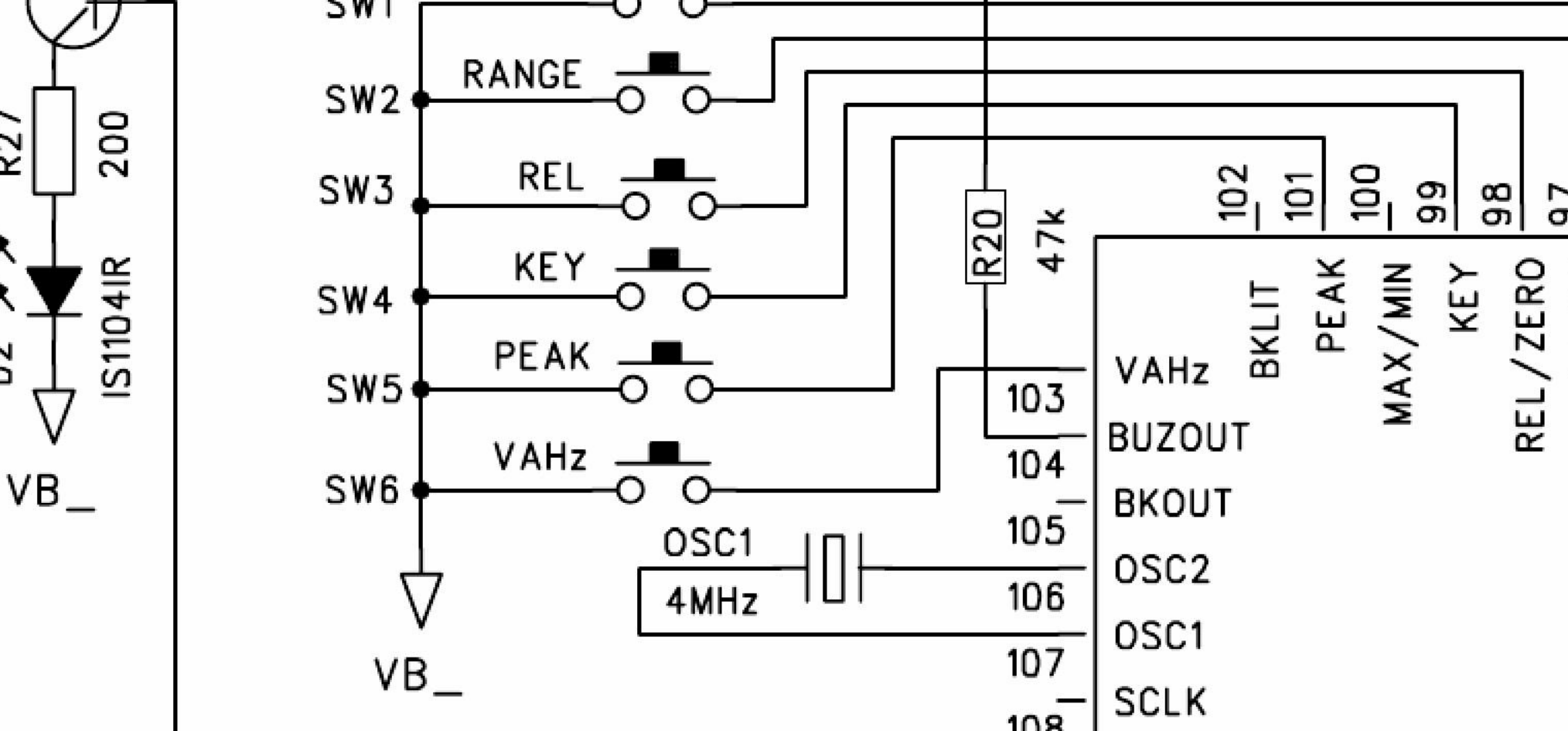
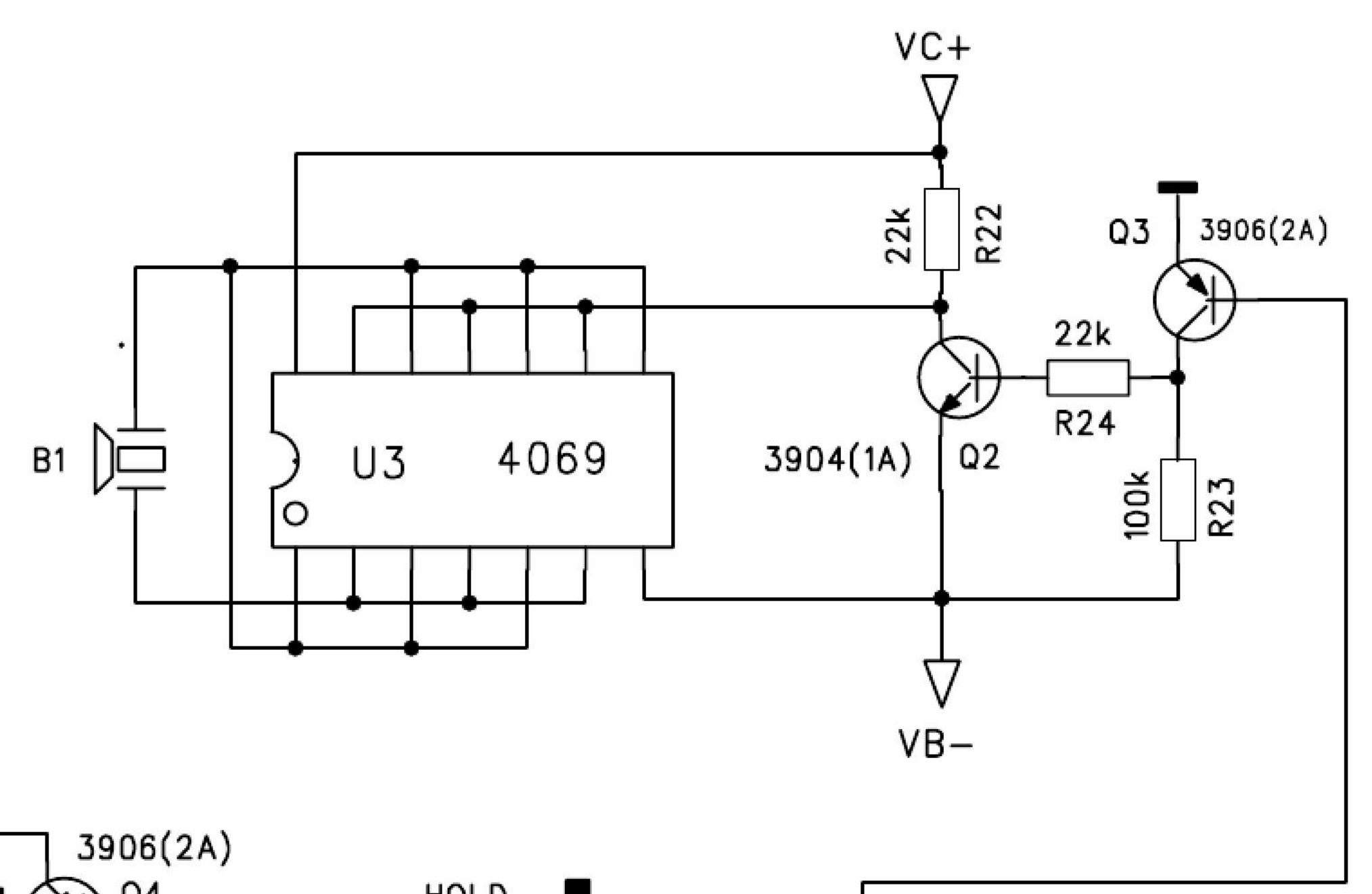
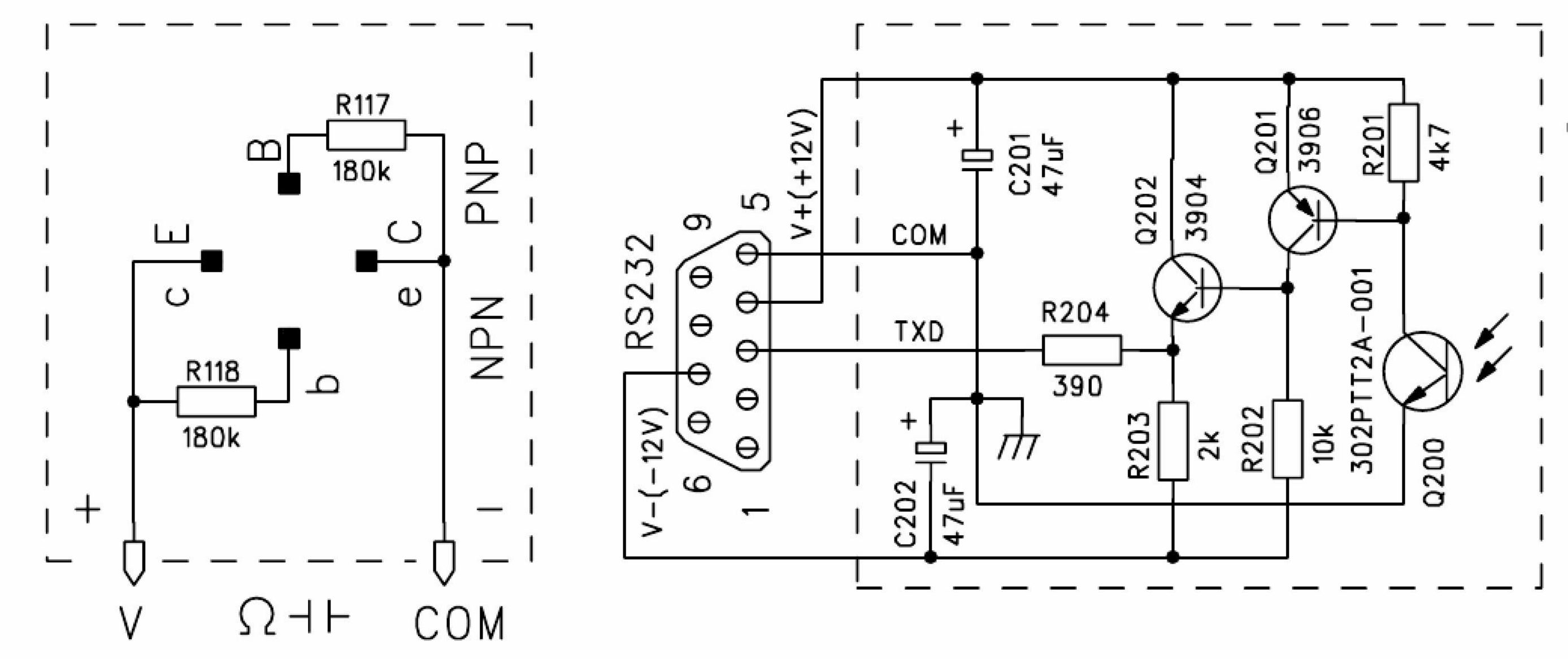
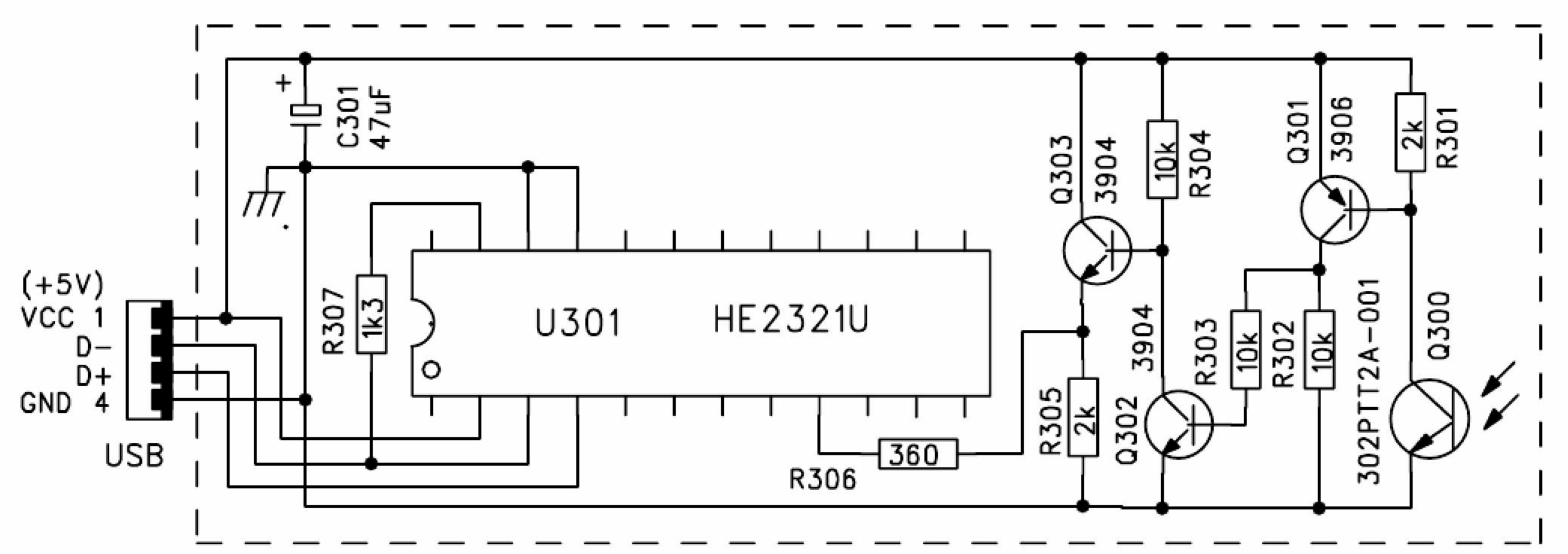
APPRO. 胡林生 07-11-01

UT61E  
 电原理图

D/N: UT2. 714. 224D

P/N:

08-03-07



SLADC	FC1	FC2	FC3	FC4	FC5	Mode	Function of KEY
0	1	0	1	1	1	V ~	DCV / ACV
0	1	1	1	0	1	mV ~	DCmV/ACmV
0	0	1	1	1	1	Ω ~	Ω / Ω / Ω / Ω
0	0	1	1	0	1	+	--
0	0	0	1	0	1	Hz %	(VAHz)
0	1	1	0	1	1	μA ~	DCV / ACV
0	1	1	1	1	1	mA ~	DCV / ACV
0	0	0	0	0	1	A ~	DCV / ACV

