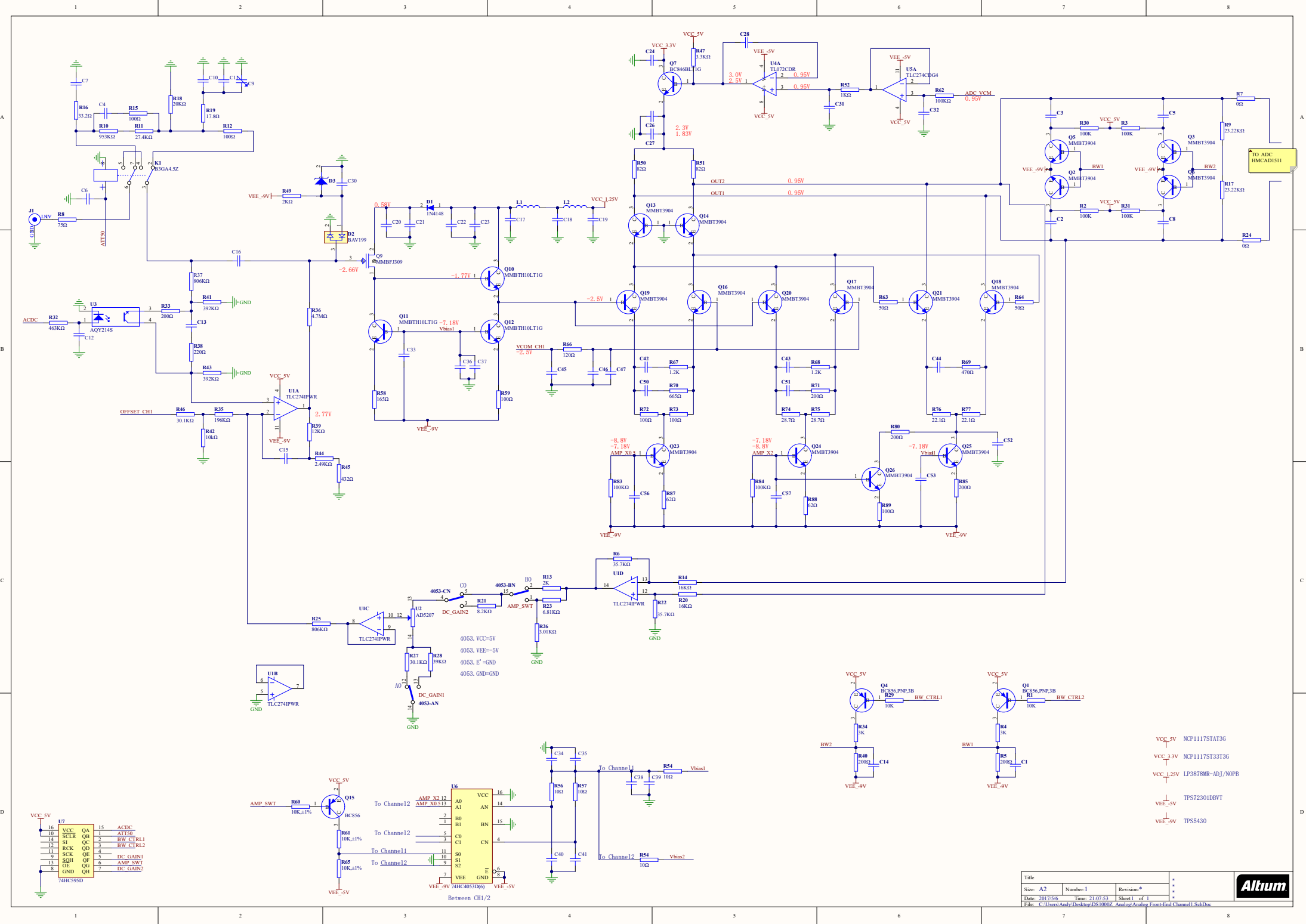
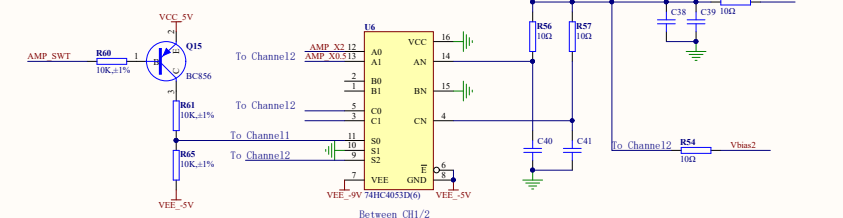


Title			
Size: A3	Number: 1	Revision: *	**
Date: 2017/5/6	Time: 21:07:52	Sheet 1 of 1	**
File: C:\Users\Andy\Desktop\DS1000Z_Analog\DAC.SchDoc			**





16	VCC	QA	15	ACDC
10	SCLR	QB	1	ATT50
14	SI	QC	2	BW_CTRL1
12	RCK	QD	3	BW_CTRL2
11	SCK	QE	4	DC_GAIN1
9	SOH	QF	5	AMP_SW1
13	SOH	QG	6	AMP_SW2
8	GND	QH	7	DC_GAIN2



- VCC_5V NCP1117STAT3G
- VCC_3.3V NCP1117T33T3G
- VCC_1.25V LP3878MR-ADJ/WOPB
- VEE_-5V TPS723010BVT
- VEE_-9V TPS5430

Title		
Size: A2	Number: 1	Revision: *
Date: 2017/5/6	Time: 21:07:53	Sheet 1 of 1
File: C:\Users\Andy\Desktop\DS10B0Z_Analog_Analyser_Front_End_Channel1_SchDoc		

