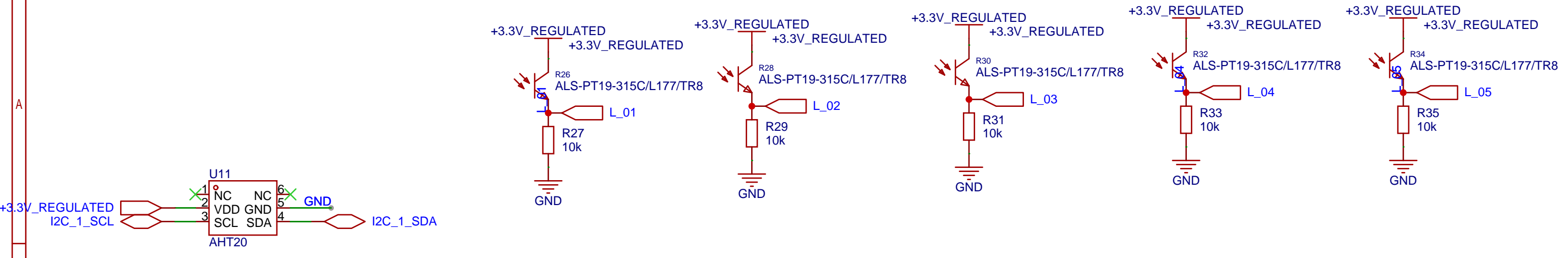
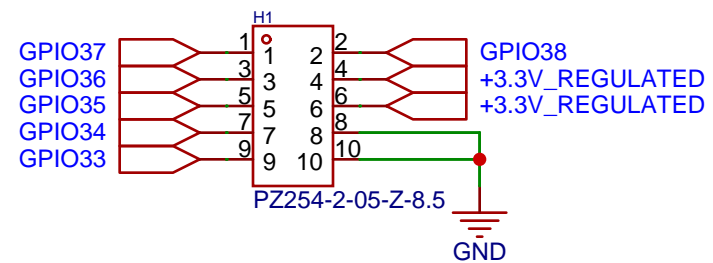
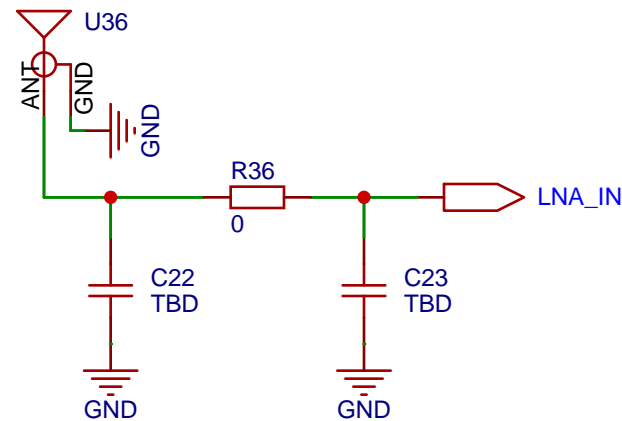
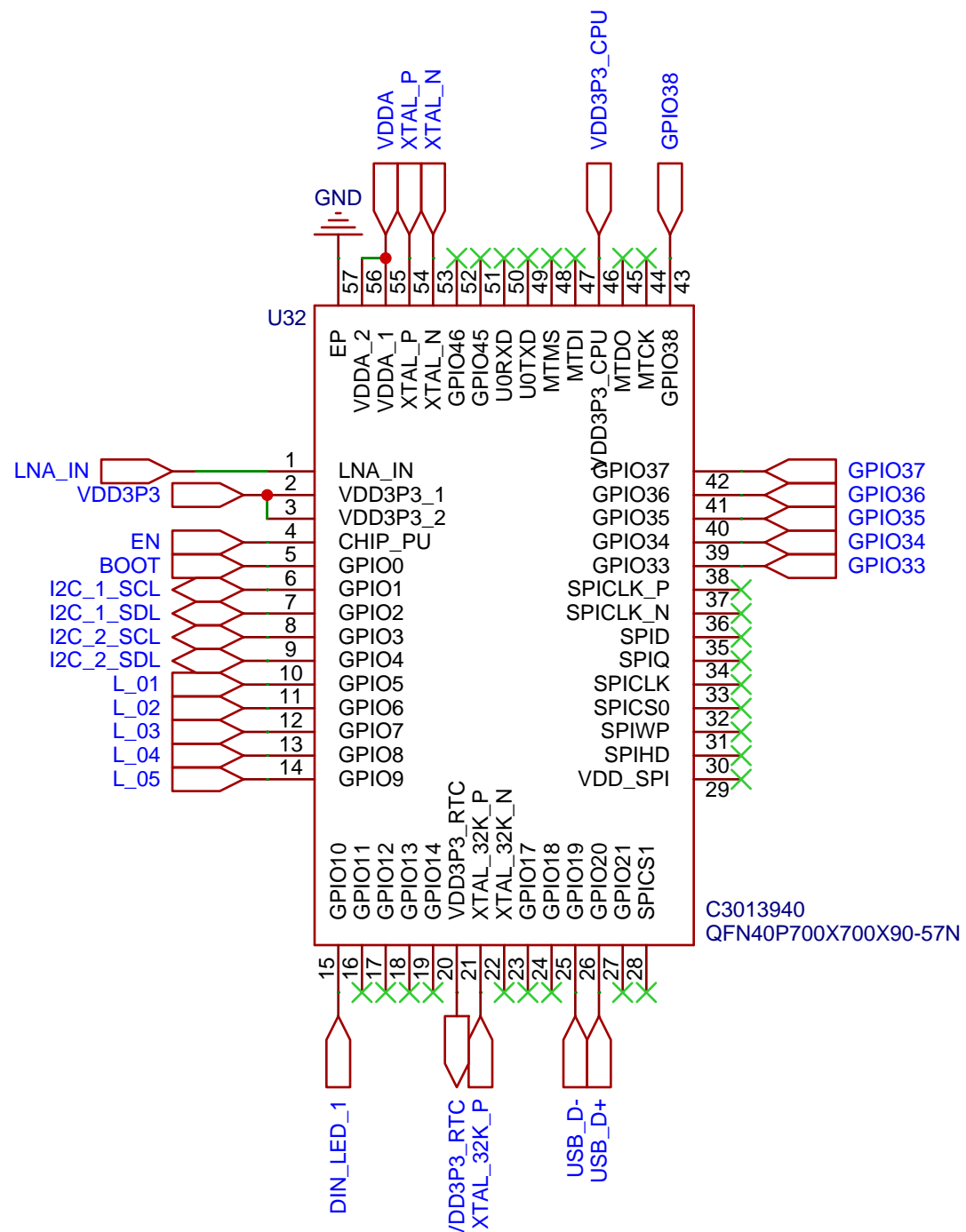
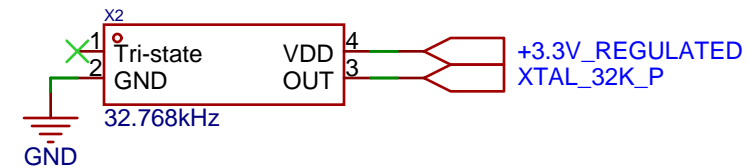
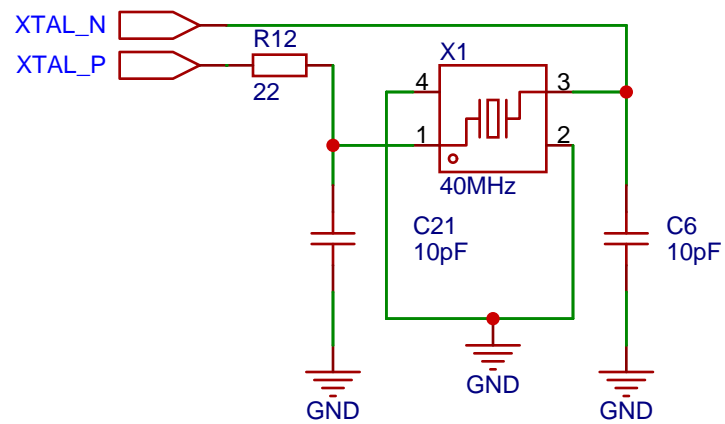
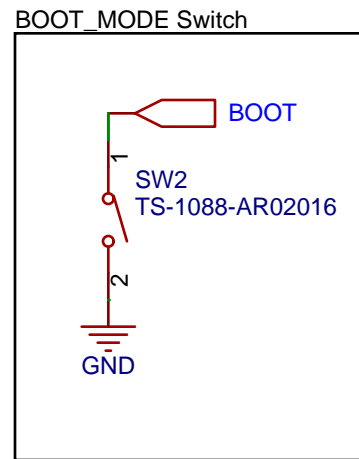
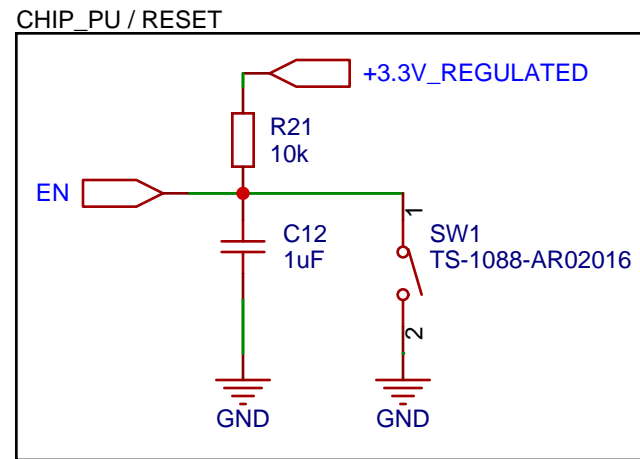


Schematic	Update Date			2023-09-04	
	Create Date			2023-08-11	
Page	LED-Array			Part Number	JLCPCB-002
Drawn	EasyEDA Pro				
Reviewed	EasyEDA Pro				
		VER	SIZE	PAGE	1 OF 4
		V0.1	A4	EasyEDA.com	

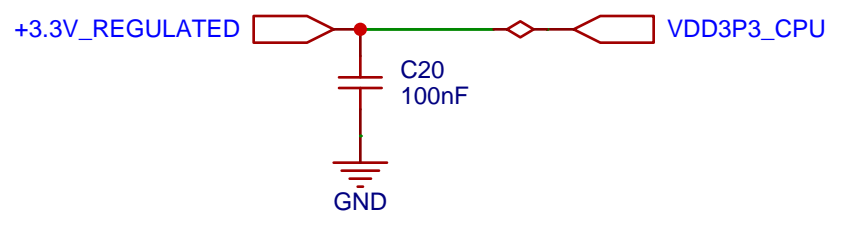
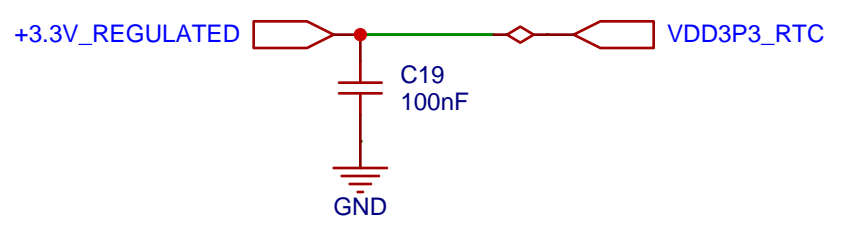
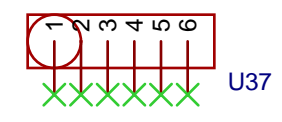
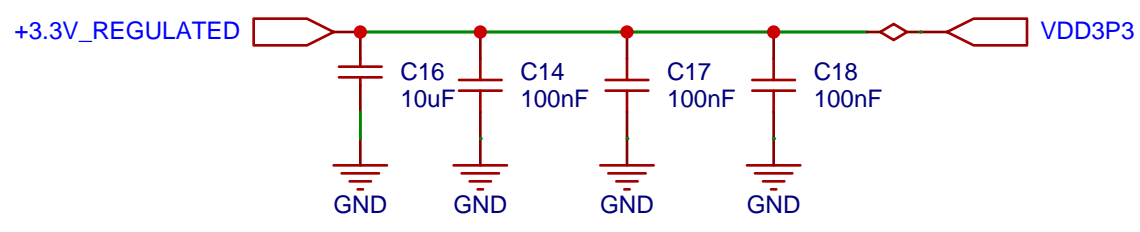
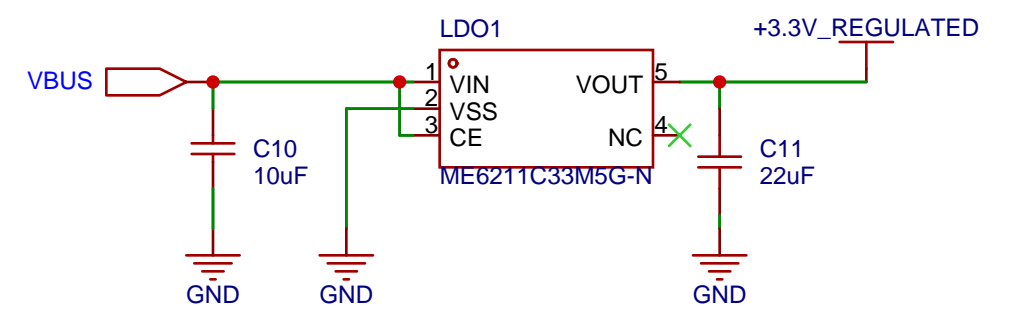
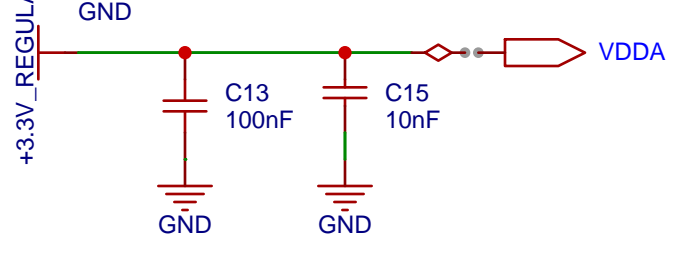
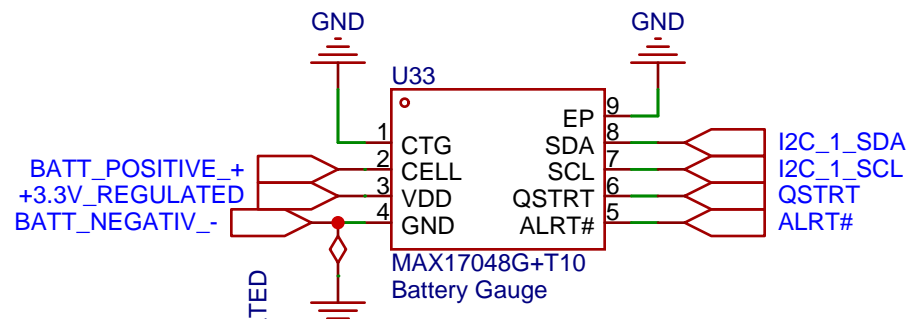
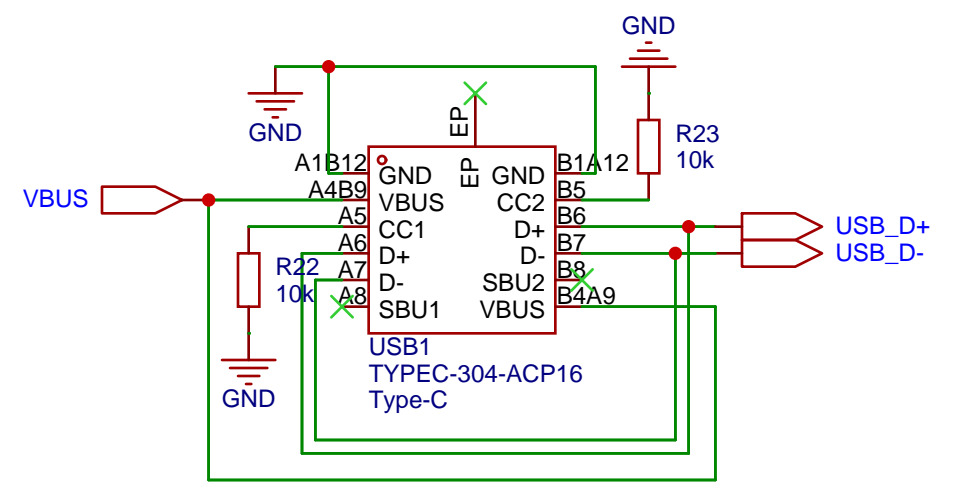
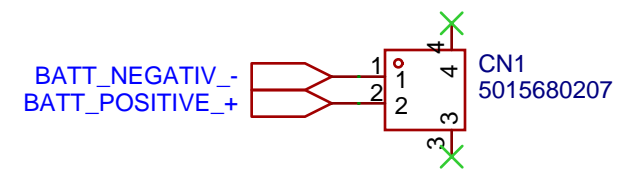
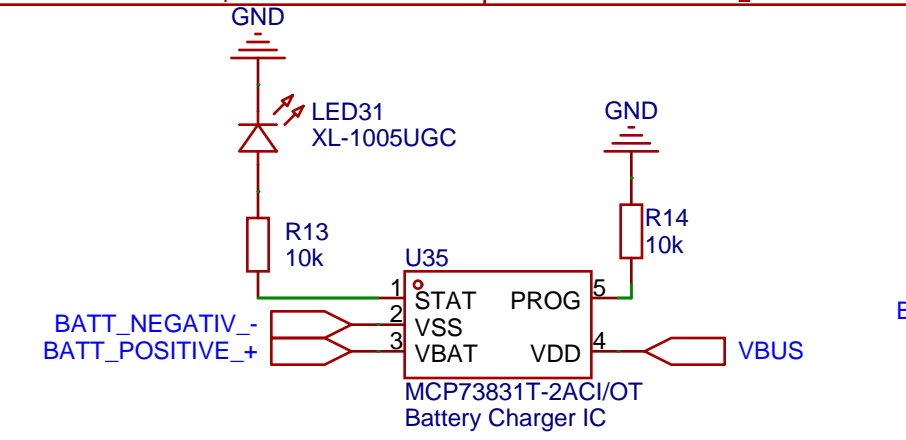


Schematic	Update Date		2023-09-04	
	Create Date		2023-08-12	
Page	Seensors		Part Number	JLPCB-002
Drawn	EasyEDA Pro			
Reviewed	EasyEDA Pro			
		VER	SIZE	PAGE 2 OF 4
		V0.1	A4	EasyEDA.com



Schematic	Update Date		2023-09-04	
	Create Date		2023-08-12	
Page	ESP32-S3		Part Number	
Drawn	Gerrit Riemer			
Reviewed				
	VER	SIZE	PAGE	3 OF 4
	V0.1	A4	Company : PlantyGrowth	





Schematic	Update Date		2023-09-04	
	Create Date		2023-08-12	
Page	Power		Part Number	JLPCB-002
Drawn	EasyEDA Pro			
Reviewed	EasyEDA Pro			
		VER	SIZE	PAGE 4 OF 4
		V0.1	A4	EasyEDA.com