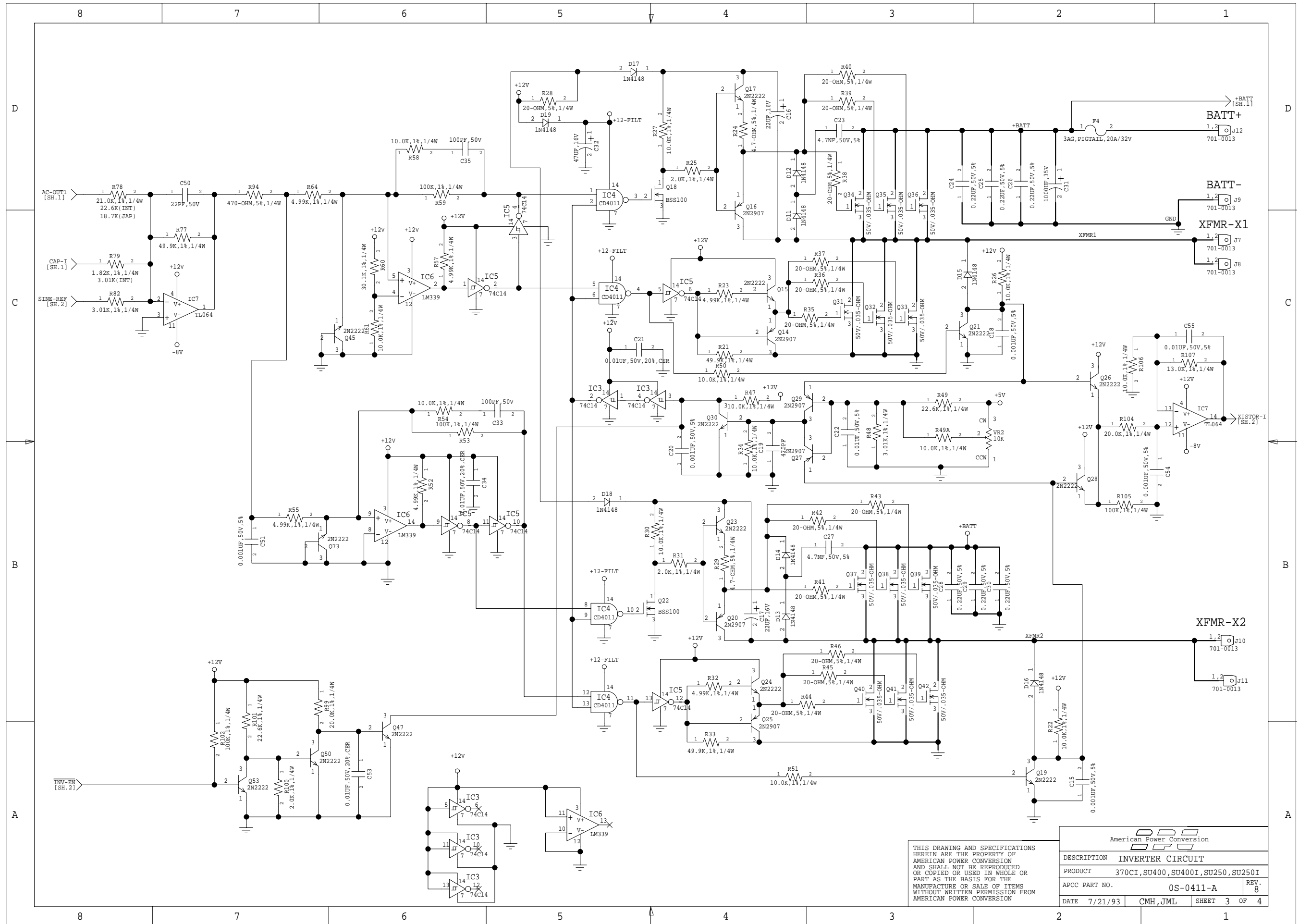


THIS DRAWING AND SPECIFICATIONS
HEREIN ARE THE PROPERTY OF
AMERICAN POWER CONVERSION
AND SHALL NOT BE REPRODUCED
OR COPIED OR USED IN WHOLE OR
PART AS THE BASIS FOR THE
MANUFACTURE OR SALE OF ITEMS
WITHOUT WRITTEN PERMISSION FROM
AMERICAN POWER CONVERSION

American Power Conversion	
DESCRIPTION	CONTROL LOGIC
PRODUCT	370CI, SU400, SU4001, SU250, SU2501
APCC PART NO.	OS-0411-A
DATE	7/21/93
CMH, JML	SHEET 2 OF 4
	REV. 8



THIS DRAWING AND SPECIFICATIONS
HEREIN ARE THE PROPERTY OF
AMERICAN POWER CONVERSION
AND SHALL NOT BE REPRODUCED
OR COPIED OR USED IN WHOLE OR
PART AS THE BASIS FOR THE
MANUFACTURE OR SALE OF ITEMS
WITHOUT WRITTEN PERMISSION FROM
AMERICAN POWER CONVERSION

American Power Conversion			
DESCRIPTION	INVERTER CIRCUIT		
PRODUCT	370CI, SU400, SU400I, SU250, SU250I		
APCC PART NO.	0S-0411-A		REV. 8
DATE	7/21/93	CMH, JML	SHEET 3 OF 4

