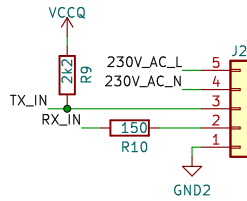
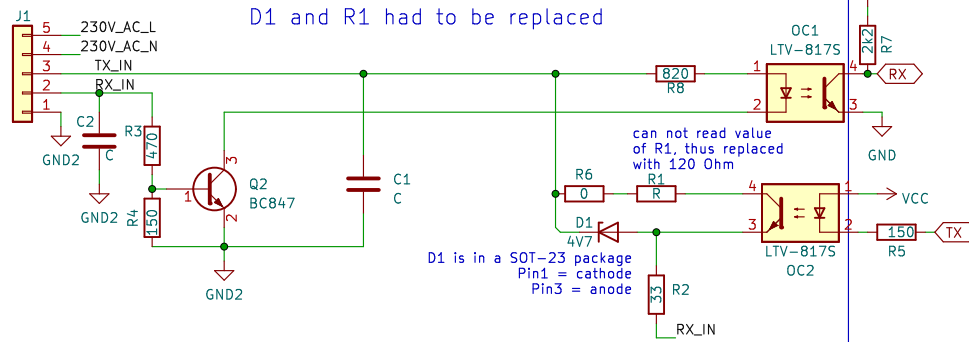


Washing machine Controller



BLDC Controller



D1 and R1 had to be replaced

can not read value of R1, thus replaced with 120 Ohm

D1 is in a SOT-23 package
Pin1 = cathode
Pin3 = anode

refer to circuit diagram of Askoll M500

Sheet: /
File: Askoll_M505_add_to_M500.kicad_sch

Title: Askoll M505

Size: A4 Date: 2023-12-02

KiCad E.D.A. kicad 7.0.2

Rev: X.X

Id: 1/1