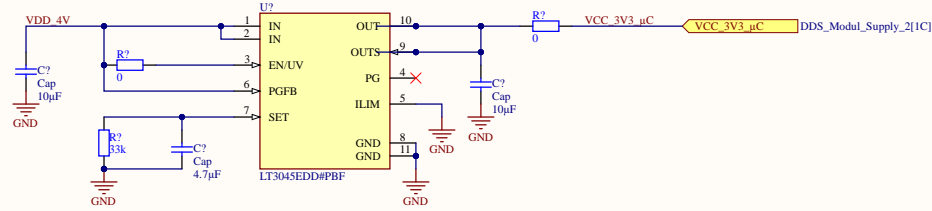
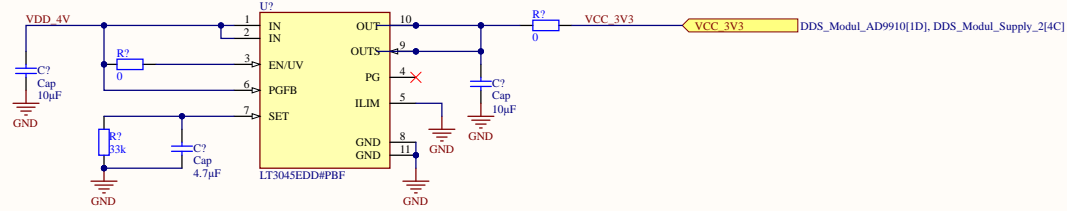


THIS DOCUMENT AND THE DATA DISCLOSED HEREIN OR HEREWITH IS THE PROPERTY OF ALTIUM LIMITED AND MAY BE FREELY DISTRIBUTED IN WHOLE. NO RIGHTS ARE RESERVED OR EXPRESS OR IMPLIED WARRANTY GIVEN.

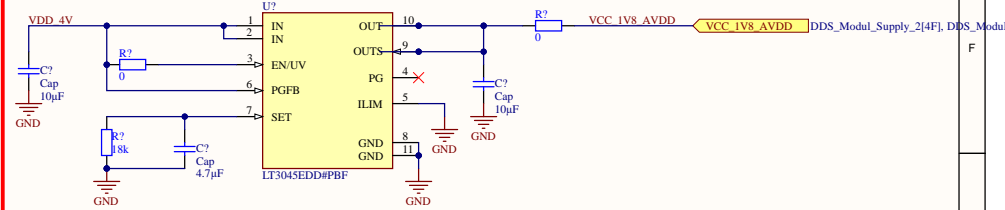
VCC_3V3_μC



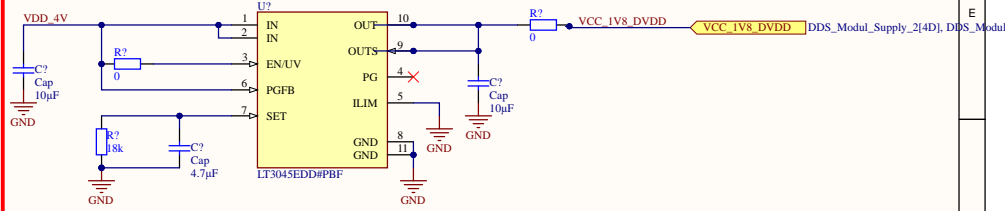
VCC_3V3



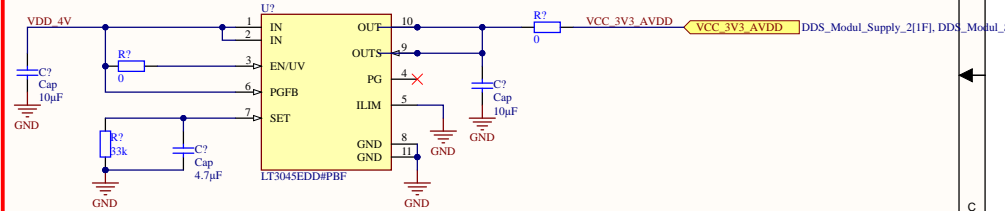
VCC_1V8_AVDD



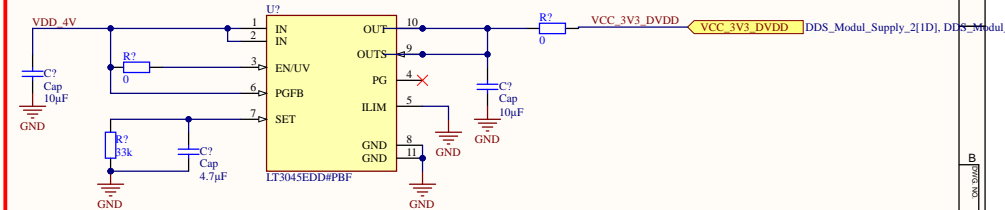
VCC_1V8_DVDD



VCC_3V3_AVDD



VCC_3V3_DVDD



REV. NO.	REV. DATE	DESCRIPTION	DATE	APPROVED
1				

APPROVALS	DATE	PROJECT	Altium
ENG: -			
DSN: -		PROJECT REVISION: -	DOCUMENT REVISION: -
CHK: -		Not in version control Not in version control	
REFERENCE DOCUMENTS		* -	
BOM:		SIZE	CAGE CODE
ASSY DWG:		B	DWG NO.
FAB DWG:		SCALE:	FILE NAME
PCB DWG:			DDS_Modul_Supply_ignore.SchDoc

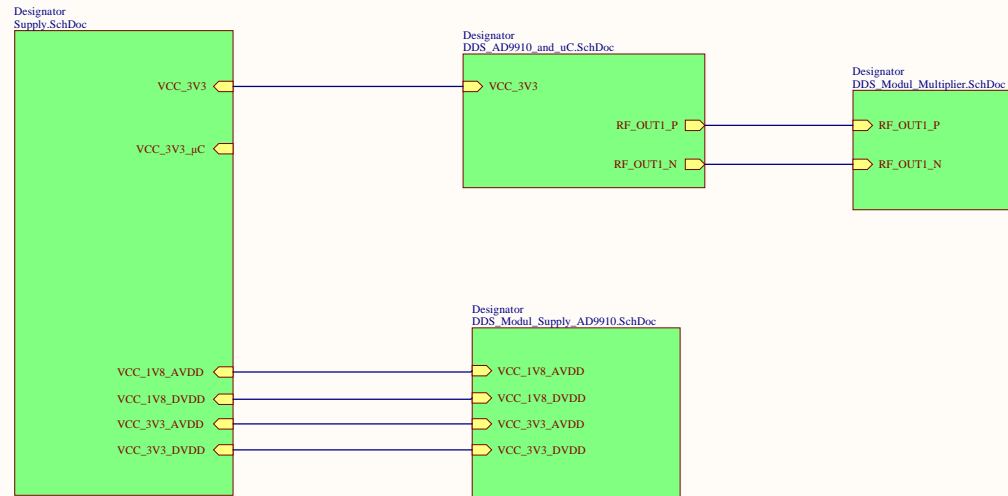
1 of 6

A

1 of 6

THIS DOCUMENT AND THE DATA DISCLOSED HEREIN OR HERewith IS THE PROPERTY OF ALTIUM LIMITED AND MAY BE FREELY DISTRIBUTED IN WHOLE. NO RIGHTS ARE RESERVED OR EXPRESS OR IMPLIED WARANTEE GIVEN.

REV. NO.	2	REV. DATE	
REVISION		DESCRIPTION	
		DATE	
		APPROVED	



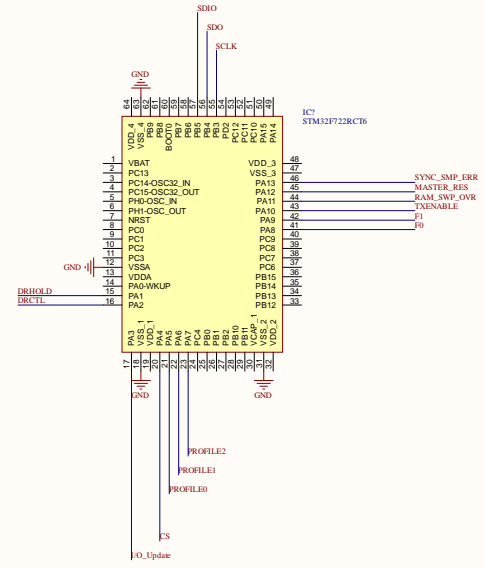
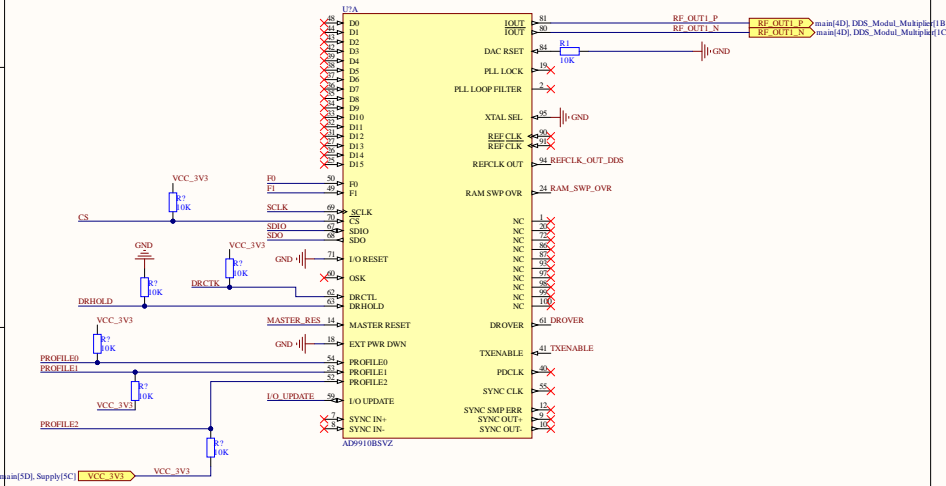
APPROVALS	DATE	PROJECT	Altium	
ENG: -			Not in version control	
DSN: -		PROJECT REVISION:	DOCUMENT REVISION:	DESIGN ITEM:
CHK: -		* Not in version control		
REFERENCE DOCUMENTS		* Not in version control		
BOM:		SIZE	CAGE CODE	DWG NO.
ASSY DWG:		B		
FAB DWG:		SCALE:	FILE NAME	SHEET 2 OF 6
PCBDWG:			main.SchDoc	

THIS DOCUMENT AND THE DATA DISCLOSED HEREIN OR HEREWITHTHIS THE PROPERTY OF ALTUM LIMITED AND MAY BE FREELY DISTRIBUTED IN WHOLE OR PART. NO RIGHTS ARE RESERVED OR EXPRESS OR IMPLIED WARRANTY GIVEN.

DDS-AD9910

uC - STM32F722RCT6

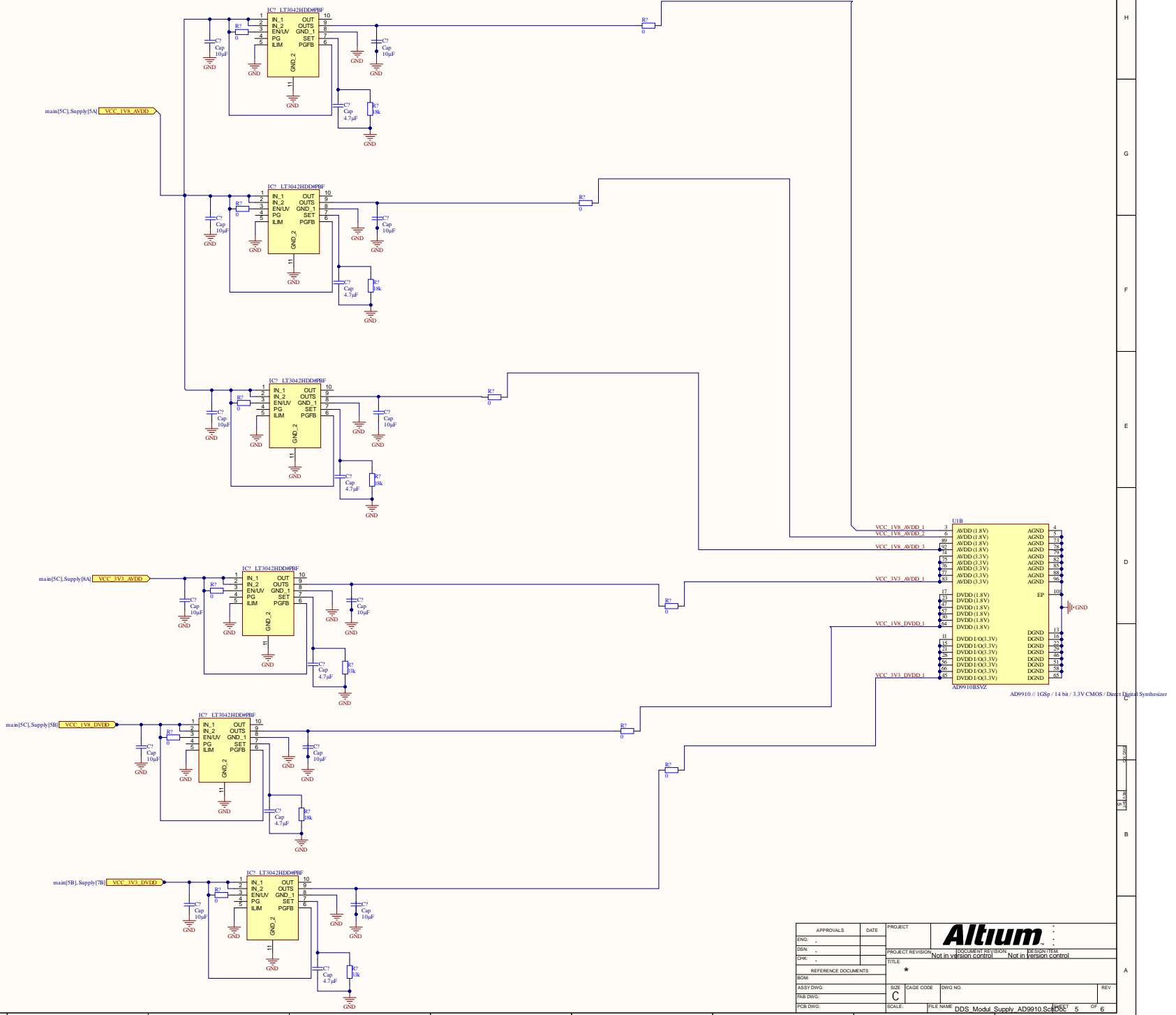
AD9910 // 1GSp / 14 bit / 3.3V CMOS / Direct Digital Synthesizer



APPROVALS	DATE	PROJECT	Altium	
ENG			PROJECT REVISION	DESIGN ITEM
DES			Not in version control	Not in version control
OPC			TITLE	
REFERENCE DOCUMENTS			*	
BOM			ASSEMBLY DWG.	SIZE
FAB DWG.	A2	CAGE CODE	DWG NO.	REV
PCB DWG.		SCALE	FILE NAME	SHEET 4 OF 4

Supply DDS9910

REVISED	DATE	DESCRIPTION	APPROVED
2			
1			

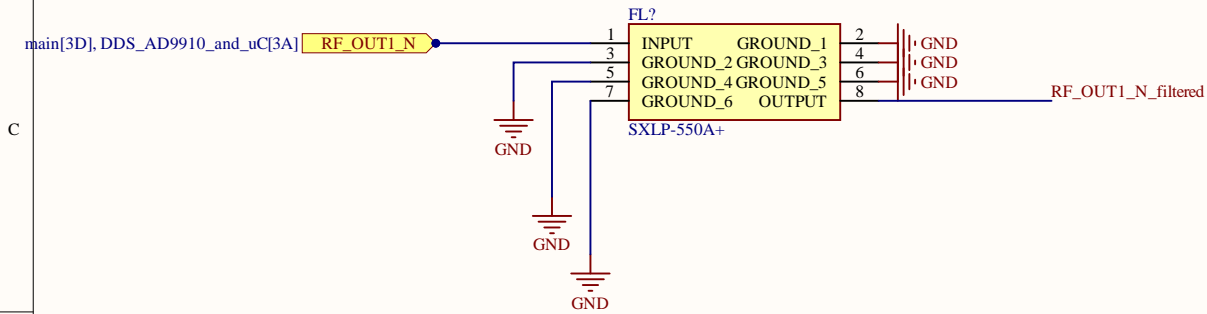
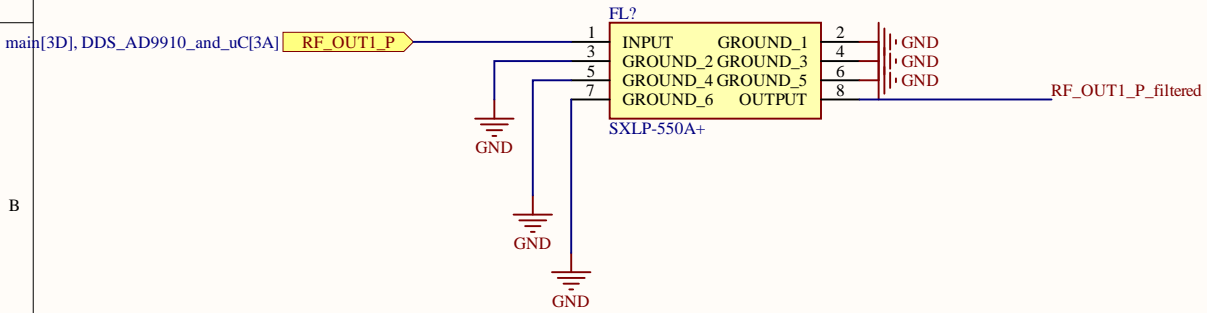


APPROVALS	DATE	PROJECT
ENG: -		
DBN: -		
CHK: -		
REFERENCE DOCUMENTS		
BOM		
ASSEMBLY:	SIZE: C	DWG NO.:
DATE:	SCALE:	FILE NAME:
PCB DWG:	DSS_Modul_Supply_AD9910_Sch.DWG	



Not in version control Not in version control

Filter



Title		
Size	Number	Revision
A4		
Date:	1.13.2024	Sheet of
File:	D:\maak1\..\DDS_Modul_Multiplier.Sch Drawn By:	

Board Stack Report