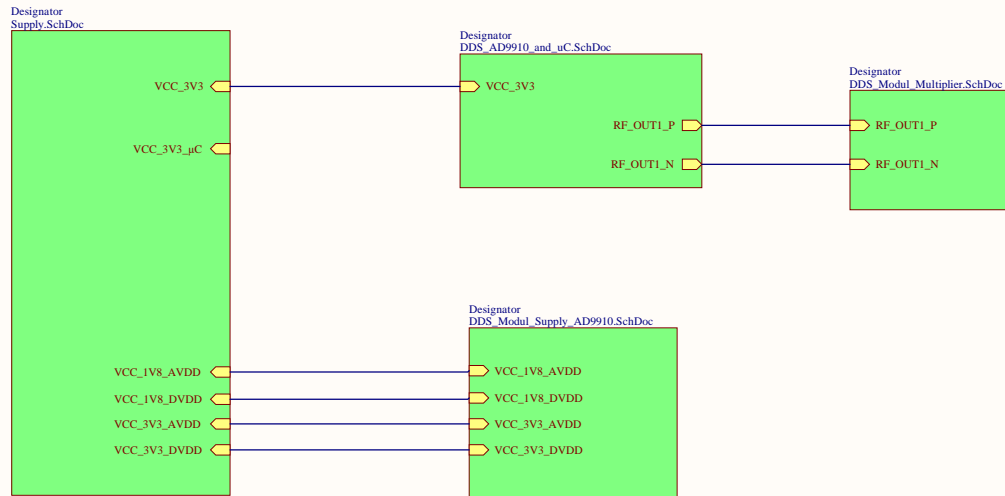


THIS DOCUMENT AND THE DATA DISCLOSED HEREIN OR HERewith IS THE PROPERTY OF ALTIUM LIMITED AND MAY BE FREELY DISTRIBUTED IN WHOLE. NO RIGHTS ARE RESERVED OR EXPRESS OR IMPLIED WARANTEE GIVEN.

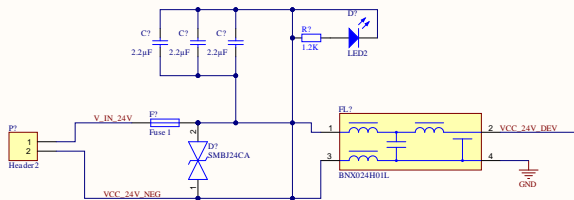
REV. NO.	2	REV. DATE	
REVISION		DESCRIPTION	
		DATE	
		APPROVED	



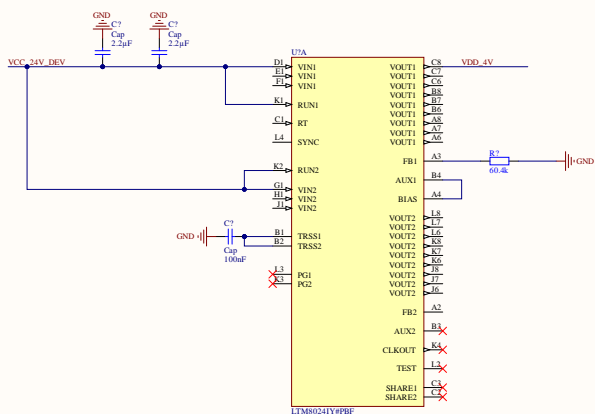
APPROVALS	DATE	PROJECT		
ENG: -				
DSN: -				
CHK: -		PROJECT REVISION: -	DOCUMENT REVISION: -	DESIGN ITEM: -
REFERENCE DOCUMENTS		TITLE: * Not in version control Not in version control		
BOM:		*		
ASSY DWG:	SIZE: B	CAGE CODE	DWG NO.	REV
FAB DWG:	SCALE:	FILE NAME: main.SchDoc	SHEET: 2	OF: 6
PCBDWG:				

THIS DOCUMENT AND THE DATA DISCLOSED HEREIN OR HEREWITH IS THE PROPERTY OF ALTUM LIMITED AND MAY BE FREELY DISTRIBUTED IN WHOLE OR IN PART. NO RIGHTS ARE RESERVED OR EXPRESS OR IMPLIED WARRANTY GIVEN.

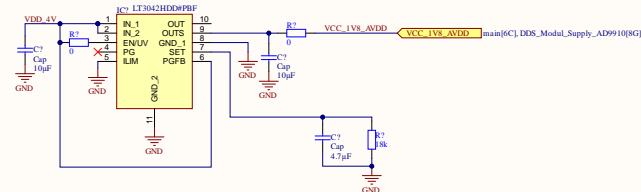
24V input Supply



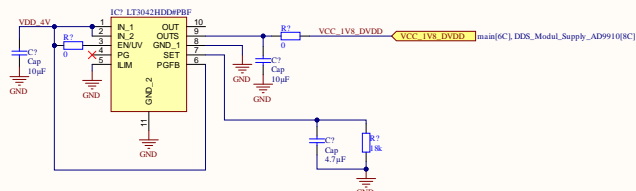
4V supply generator



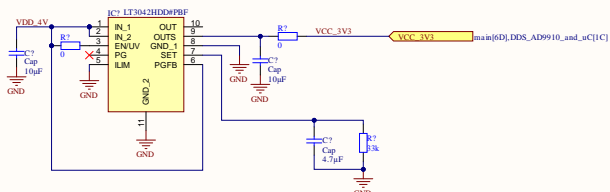
VCC_1V8_AVDD



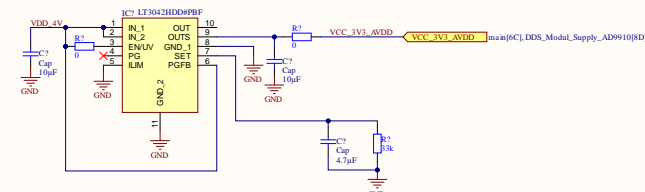
VCC_1V8_DVDD



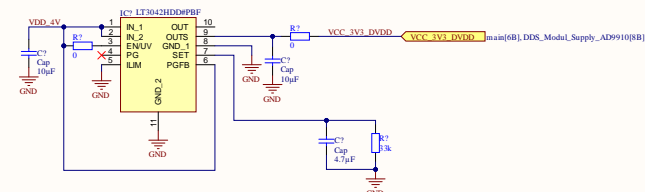
VCC_3V3



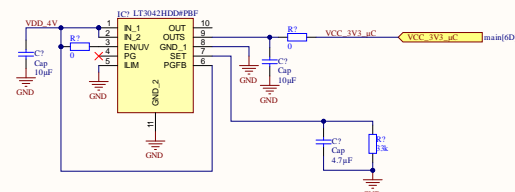
VCC_3V3_AVDD



VCC_3V3_DVDD



VCC_3V3_µC



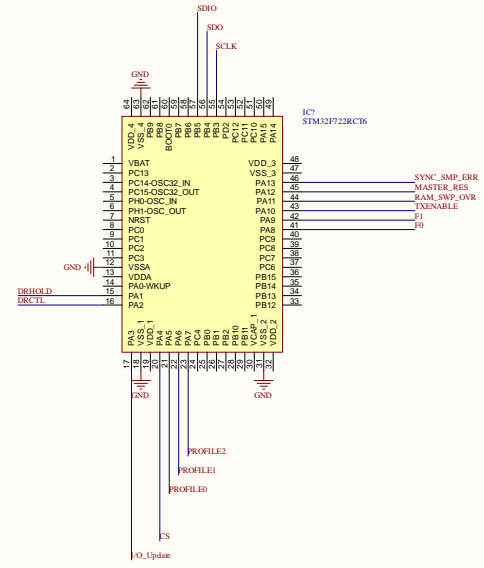
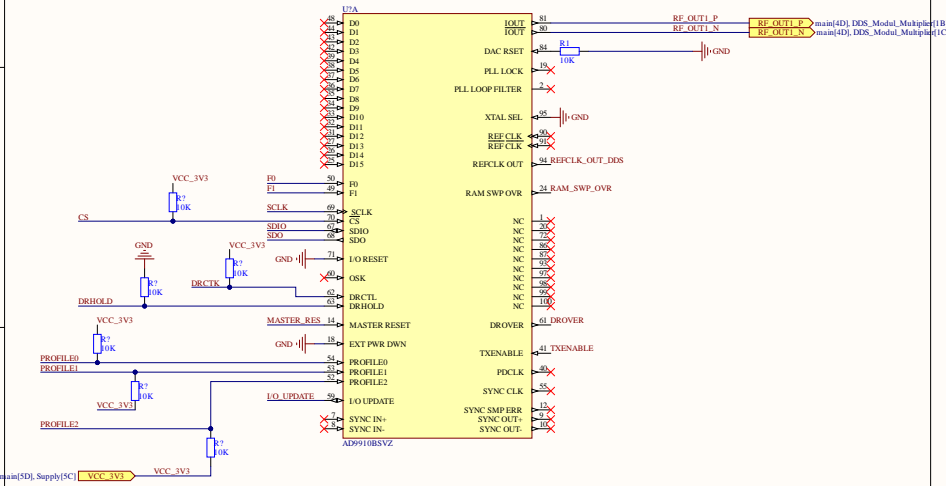
APPROVALS	DATE	PROJECT	Altium	
ENG			DESIGN ITEM	
DES			Not in version control	
GRP			Not in version control	
REFERENCE DOCUMENTS			*	
BOM				
ASSY DWG	SIZE	CAGE CODE	DWG NO.	REV
FAB DWG	A2			
PCB DWG	SCALE	FILE NAME	Supply_SchDoc	SHEET 3 OF

THIS DOCUMENT AND THE DATA DISCLOSED HEREIN OR HEREWITHTHIS THE PROPERTY OF ALTUM LIMITED AND MAY BE FREELY DISTRIBUTED IN WHOLE OR PART. NO RIGHTS ARE RESERVED OR EXPRESS OR IMPLIED WARRANTY GIVEN.

DDS-AD9910

uC - STM32F722RCT6

AD9910 // 1GSp / 14 bit / 3.3V CMOS / Direct Digital Synthesizer

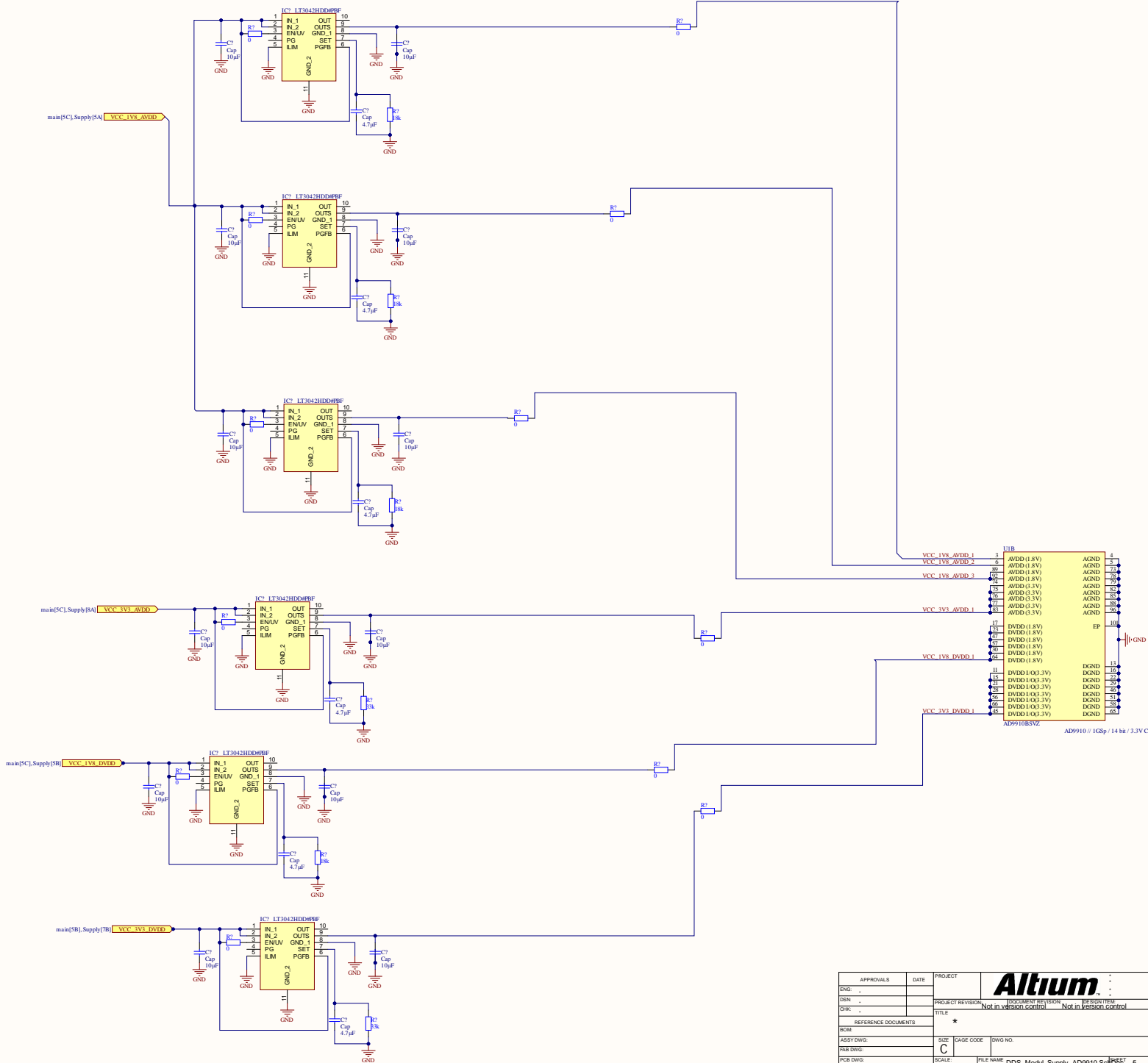


REVISION	DESCRIPTION	DATE	APPROVED

APPROVALS	DATE	PROJECT	Altium			
ENG :			PROJECT REVISION:	DESIGN ITEM:		
DES :			Not in version control	Not in version control		
OPR :			TITLE			
			REFERENCE DOCUMENTS			
BOM:						
ASSY DWG:			SIZE	CAGE CODE	DWG NO.	REV
FAB DWG:			A2			
PCB DWG:			SCALE:	FILE NAME	DDS_AD9910_and_uC.SchDoc	SHEET 4 OF

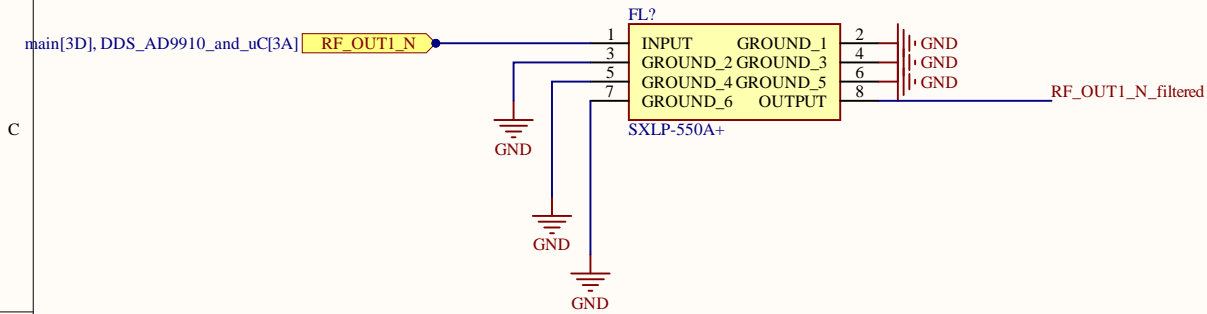
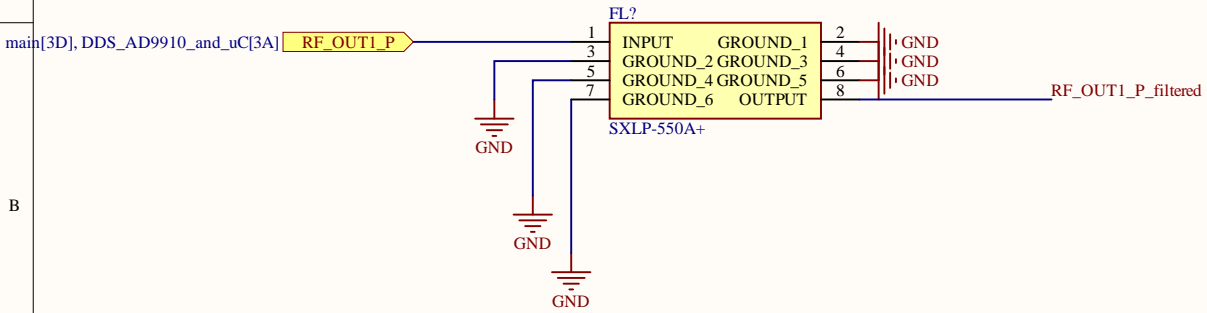
Supply DDS9910

REV	REVISED	DESCRIPTION	DATE	APPROVED
5	2			



APPROVALS	DATE	PROJECT	Altium	
ENG: -				
DBN: -		PROJECT REVISION	DOCUMENT REVISION	SYSTEM ITEM
CHK: -		Not in version control		Not in version control
REFERENCE DOCUMENTS		*		
BOM				
ASSY DWG	SIZE C	DWG CODE	DWG NO.	REV
P&B DWG	SCALE	FILE NAME	DSS_Modul_Supply_AD9910_Sch	SHEET 5 OF 6
PCB DWG				

Filter



Title		
Size A4	Number	Revision
Date: 1.13.2024	Sheet of	
File: D:\maak1\..\DDS_Modul_Multiplier.Sch	Drawn By:	

Board Stack Report