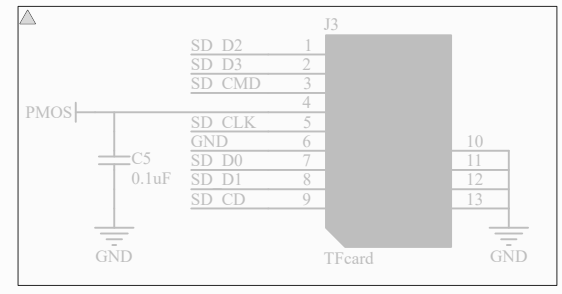
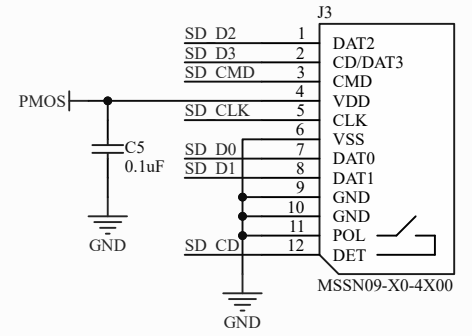
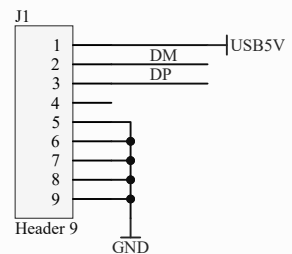
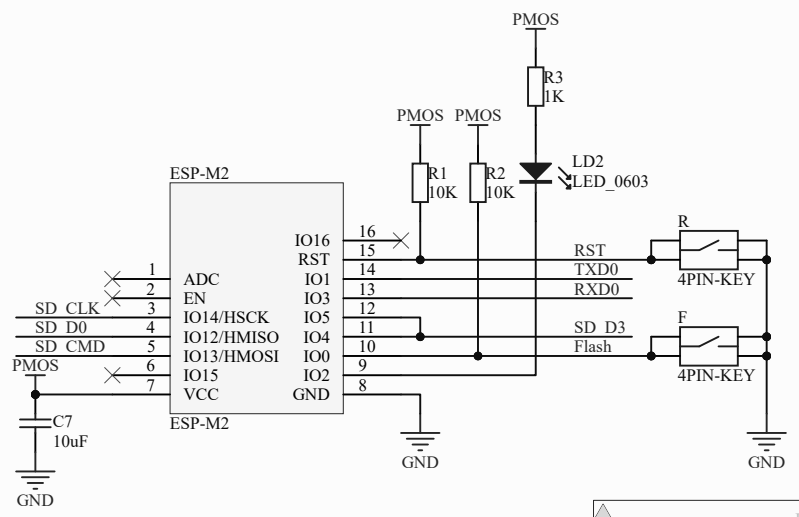


A

A

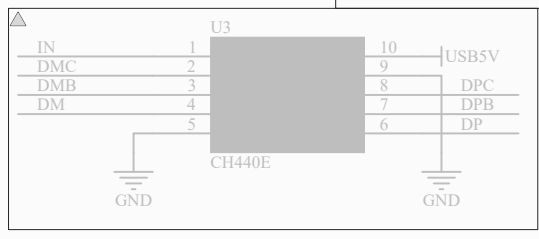
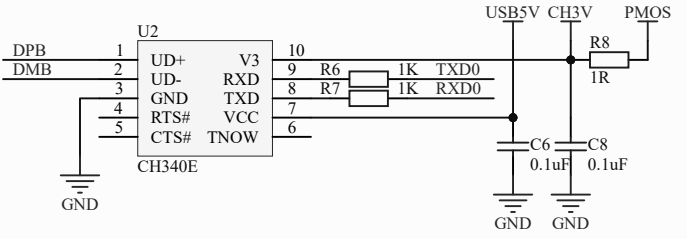
B

B

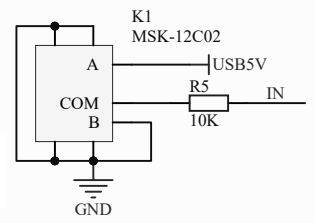


C

C

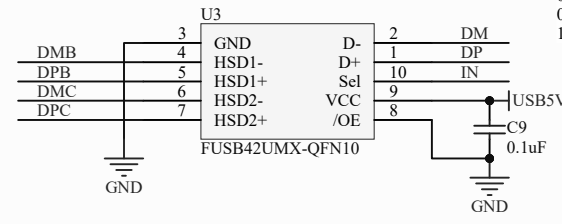


EN	IN	D+	D-	USB2UART
0	0	HSD1+	HSD1-	Cardreader
0	1	HSD2+	HSD2-	
1	X	X	X	



D

D



Title		
Size	Number	Revision
A4		
Date:	9-17-2021	Sheet of
File:	H:硬件模块\SD-WIFI\SD-WIFI\SD-WIFI\Brd\Brd.Dwg	