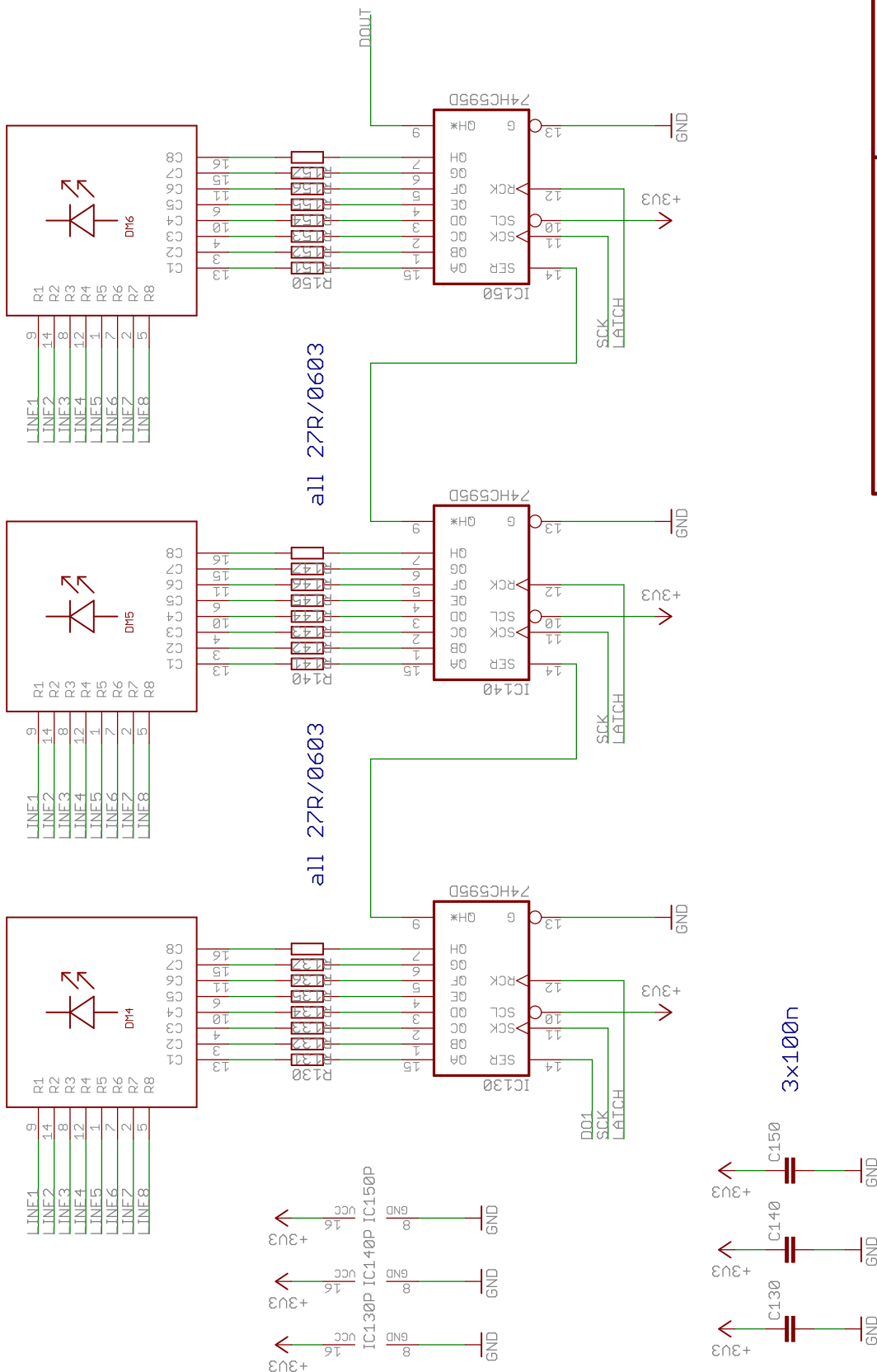


LED Matrix 2

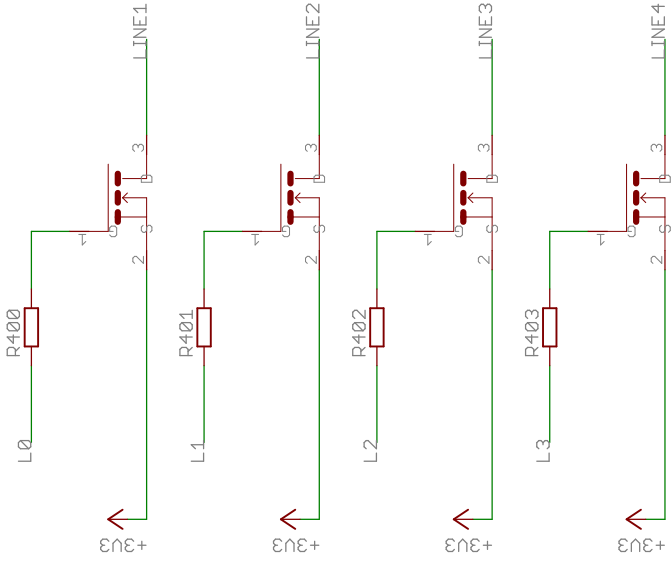


all 27R/0603

all 27R/0603

3x100n

MOSFETS



all R = 10k

Mosfets = IRLML6401

Tim Hotfilter

basicboard

6.11.2009 17:10:48

Sheet: 4/5

