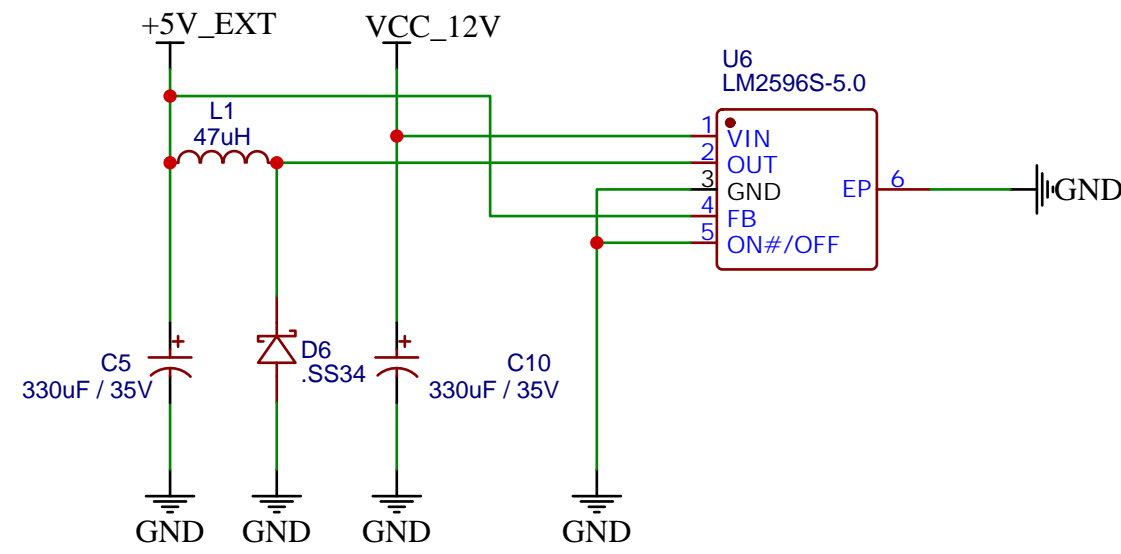
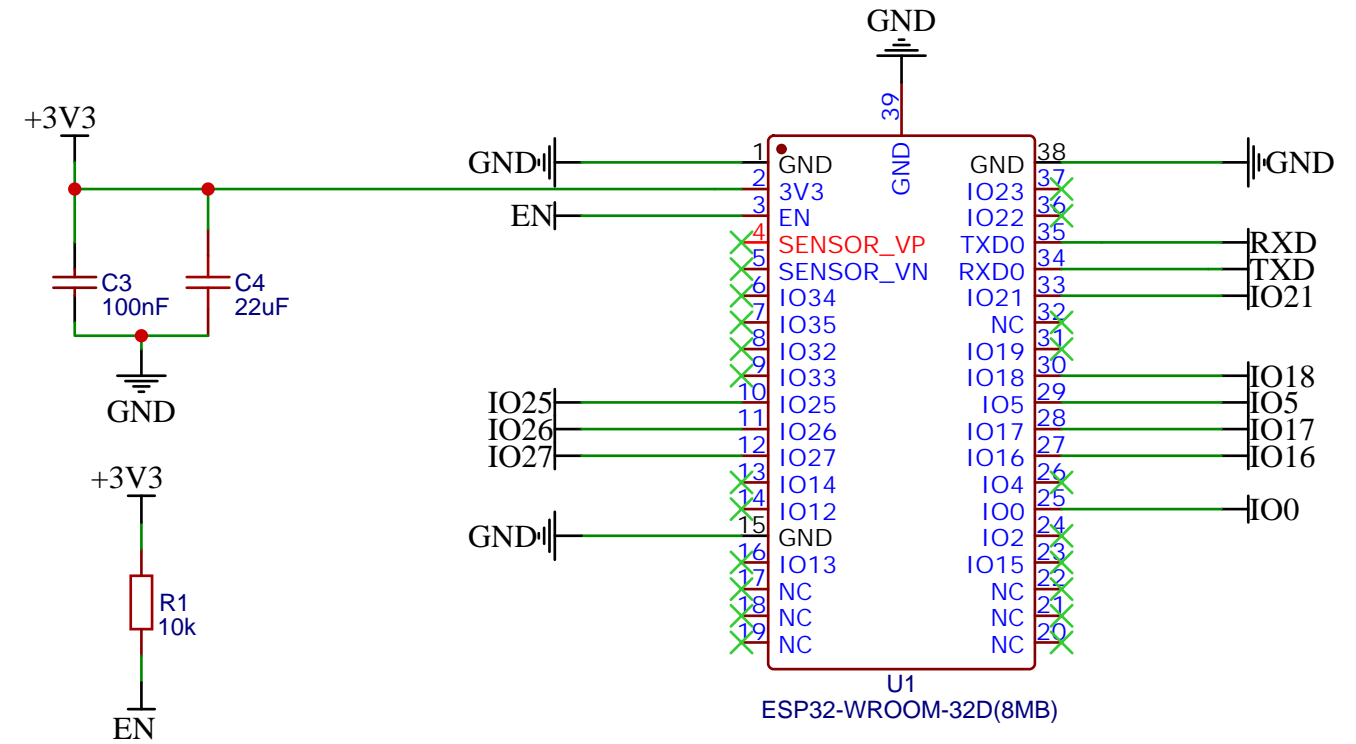


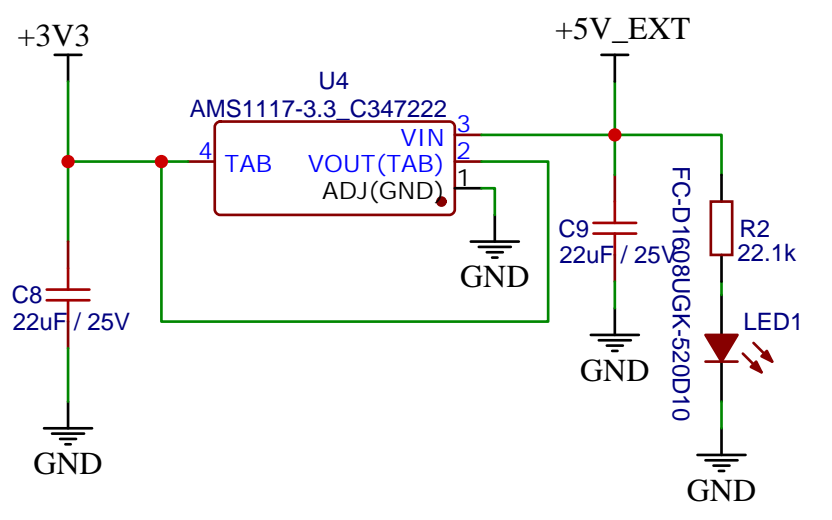
Power 5V



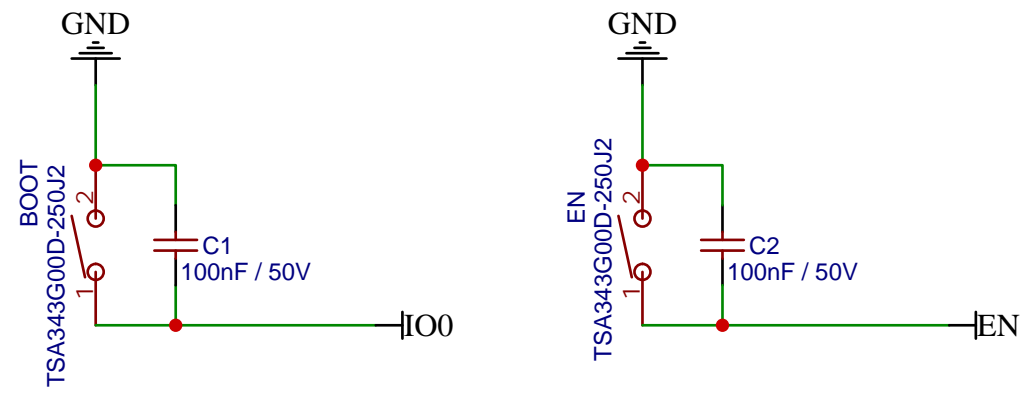
ESP32



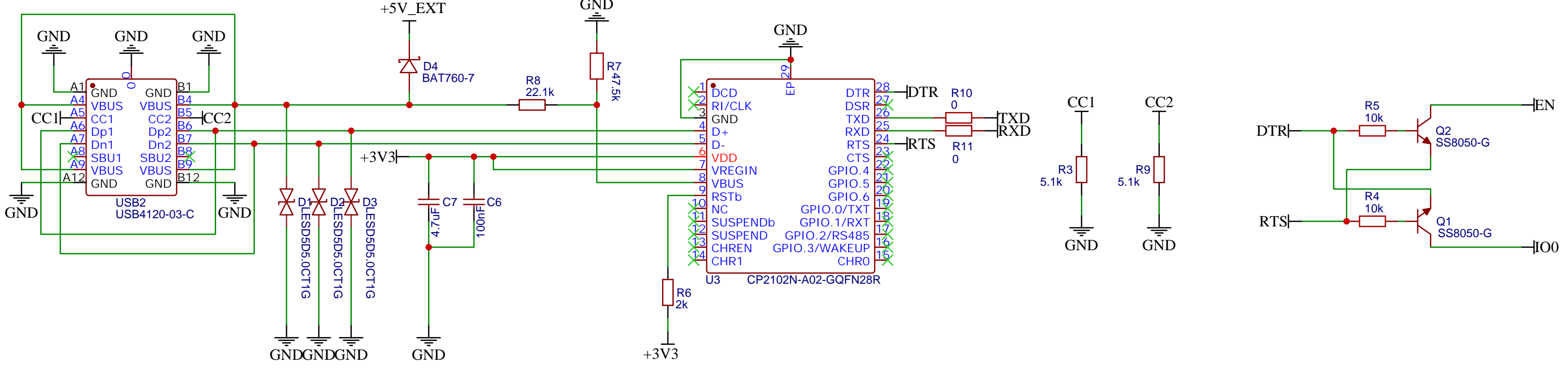
Power 3.3V



Switch Buttons



USB C Power & UART



Terminals

