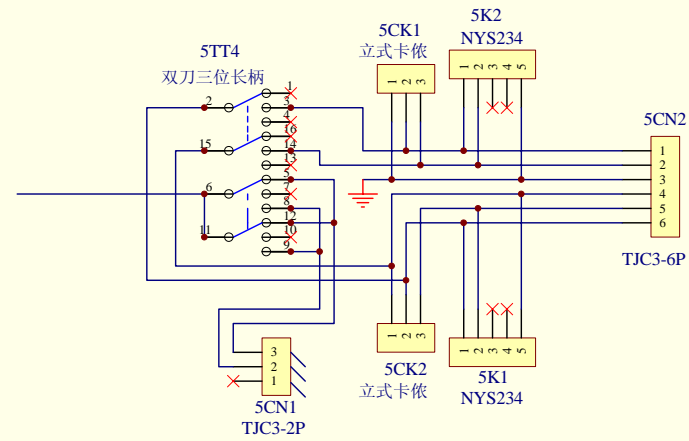
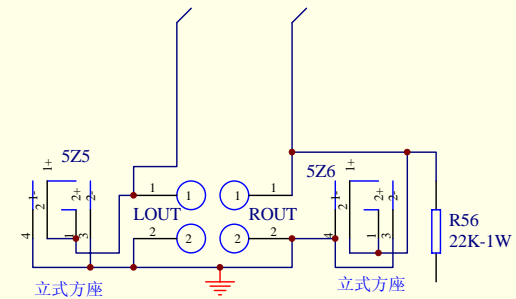
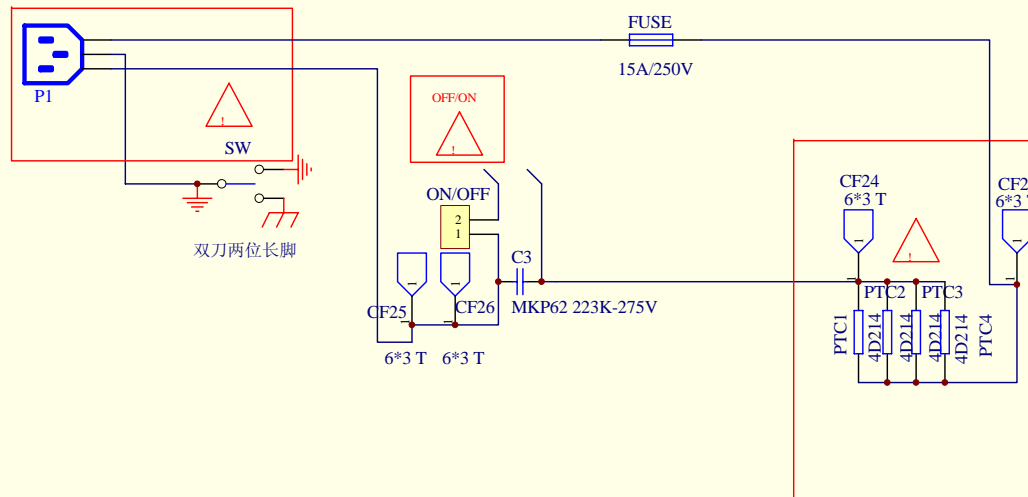


Title		
P400,P500,P700,P900,P1200,P1600,P2000		
Size	Number	Revision
B		
Date:	18-Jun-2010	Sheet of
File:	D:\工作项目文件\DAP\DAP.dtb	Drawn By:



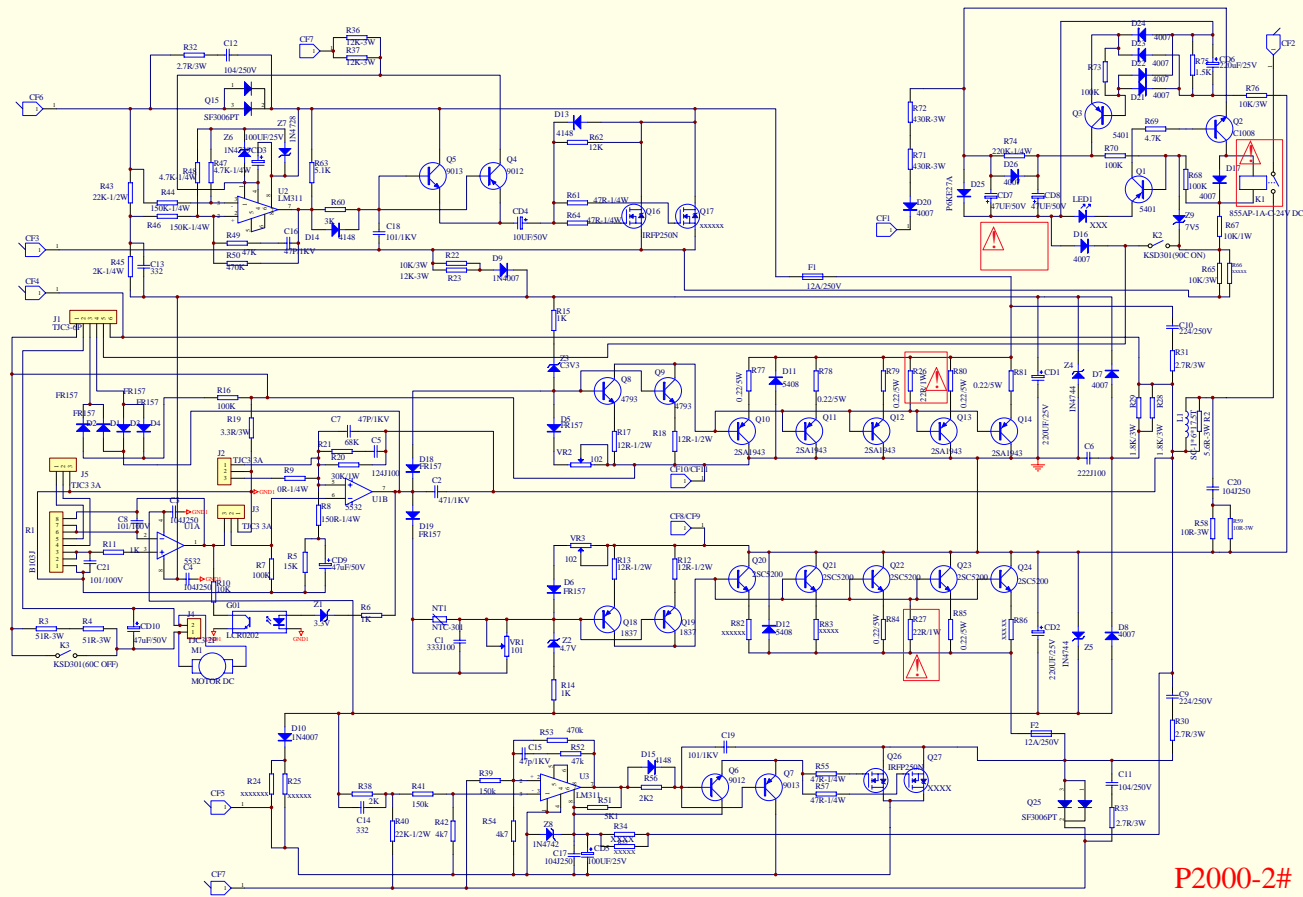
CP-6#

Title		
P400,P500,P700,P900,P1200,P1600,P2000		
Size	Number	Revision
B		
Date:	18-Jun-2010	Sheet of
File:	D:\工作项目文件\DAP\DA.P.dlb	Drawn By:



**CQC400-1#**  
**S2005/07/05**

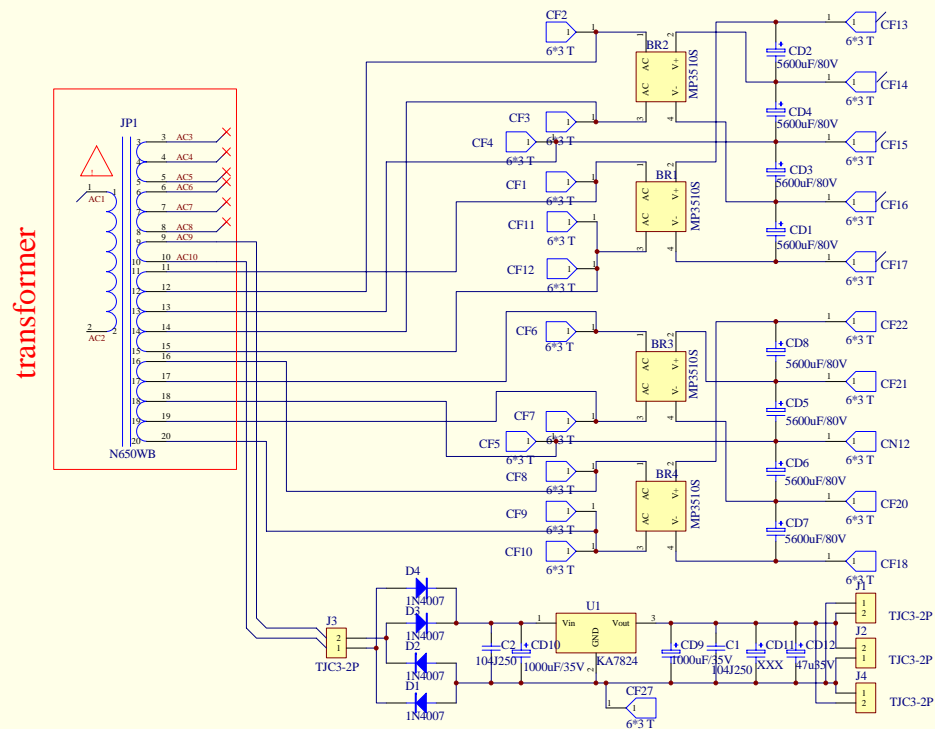
Title		
P900,P1200,P1600,P2000		
Size	Number	Revision
B		
Date:	18-Jun-2010	Sheet of
File:	原工作项目文件DAP\DA.P.dtb	Drawn By:



P2000-2#

Title		
Doc No.	Doc Name	Revision
Doc No.	Doc Name	Revision
Doc No.	Doc Name	Revision
Doc No.	Doc Name	Revision

P2000-1#  
20070919



Title		
P1200,P1600,P2000		
Size	Number	Revision
C		
Date:	18 Jun 2010	Sheet of
File:	D:\工作项目\文件\BAP\BAP.dwg	Drawn By: