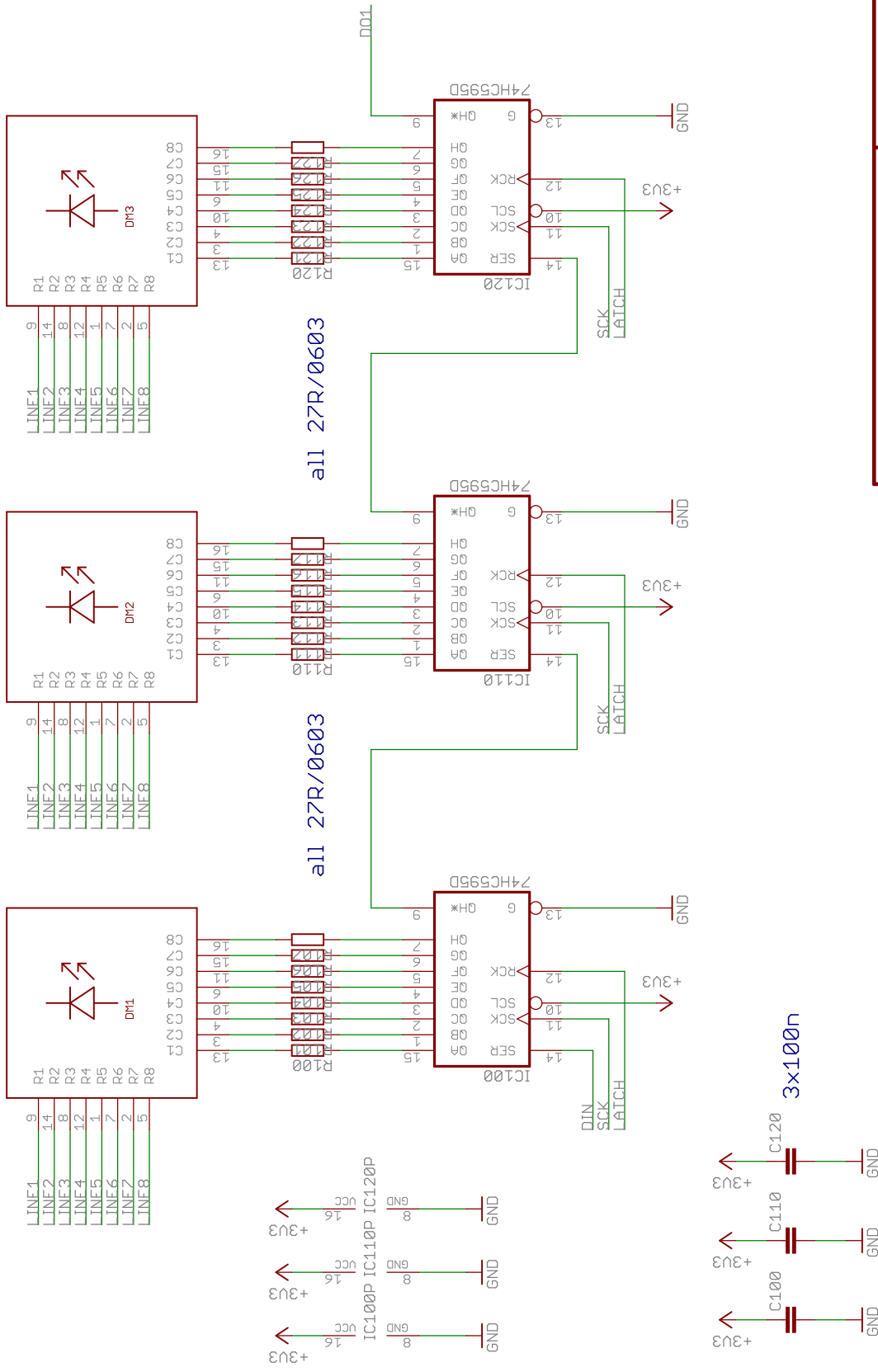
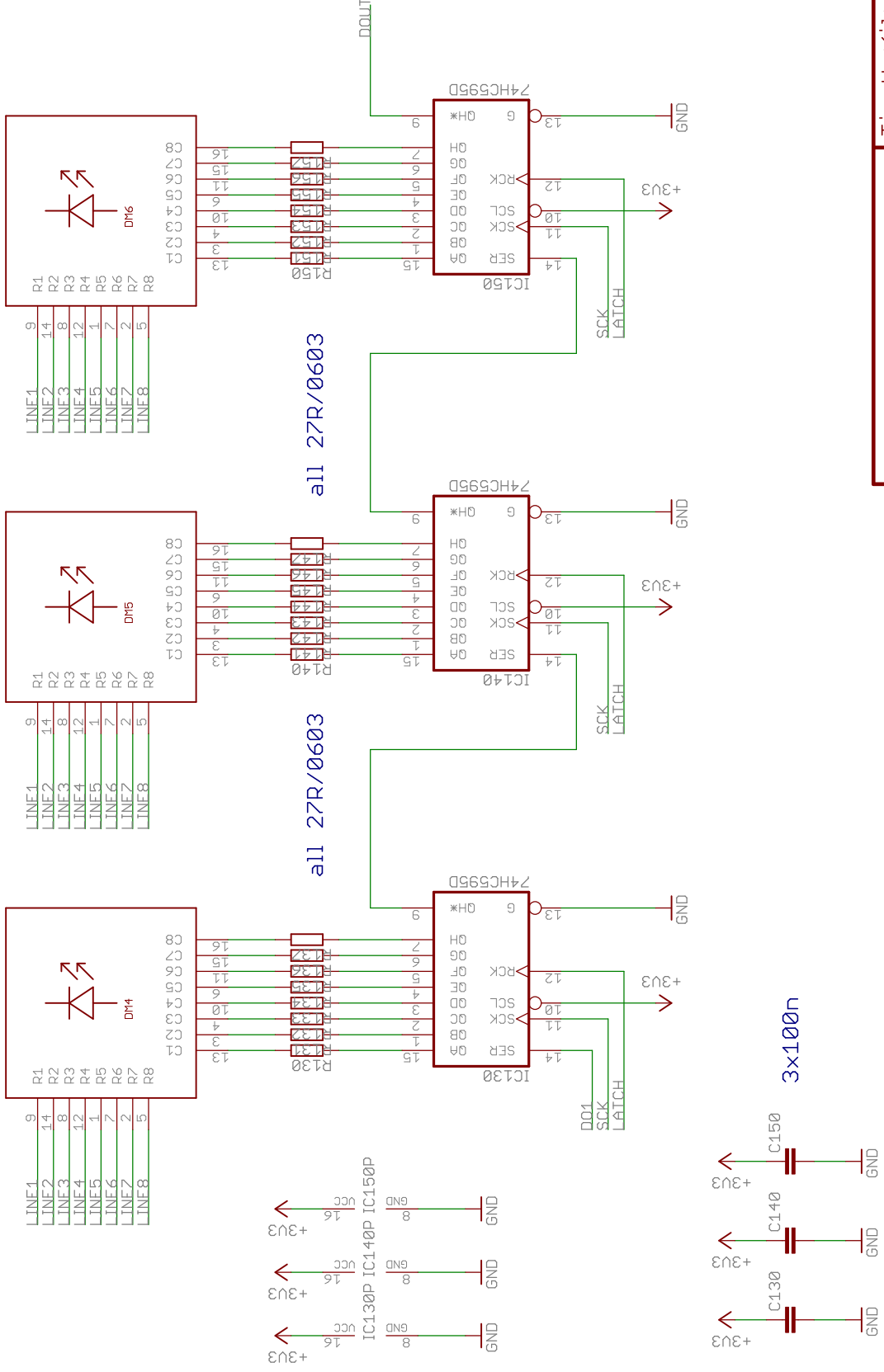


# LED Matrix 1

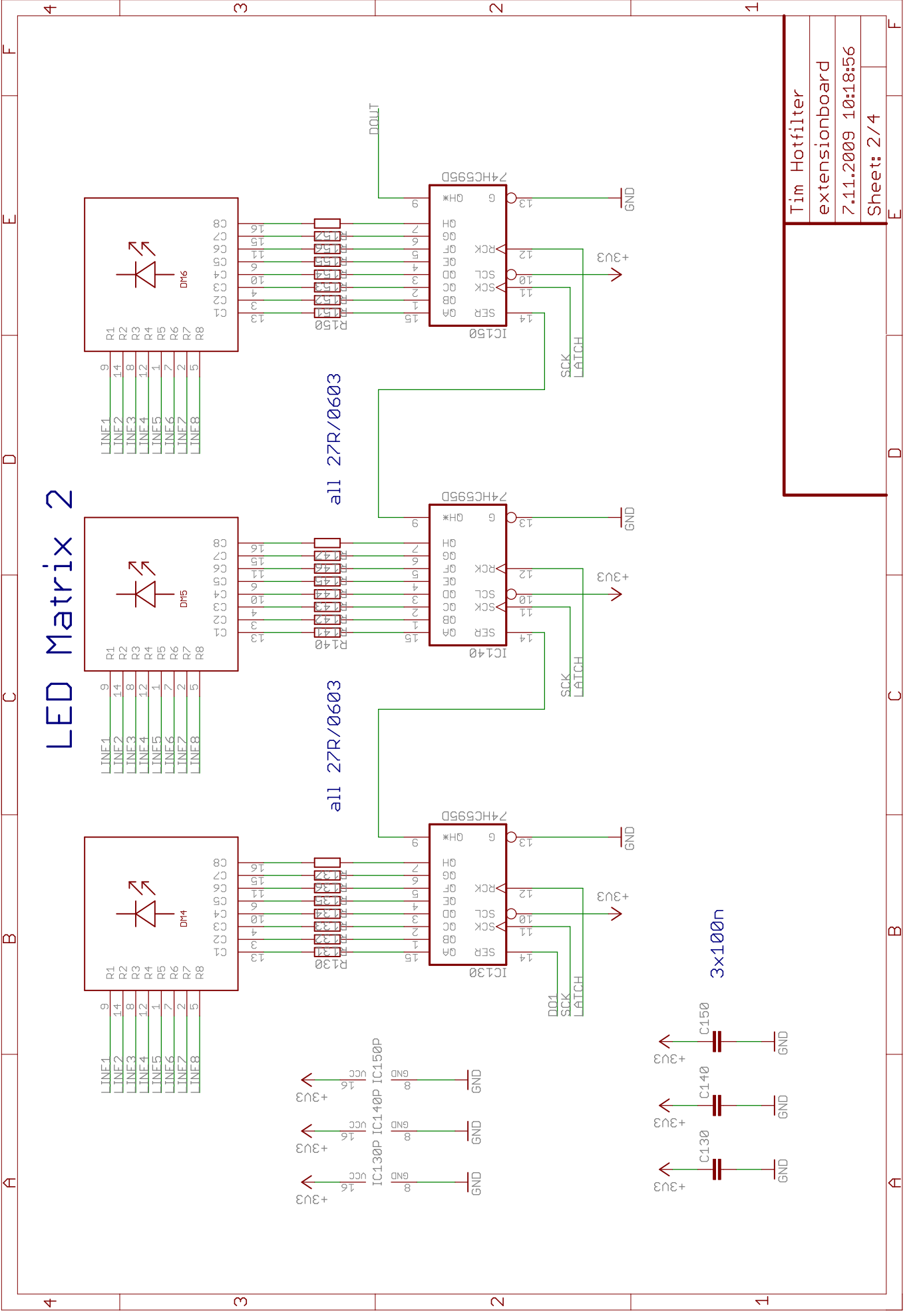


Tim Hotfilter  
 extensionboard  
 7.11.2009 10:18:56  
 Sheet: 1/4

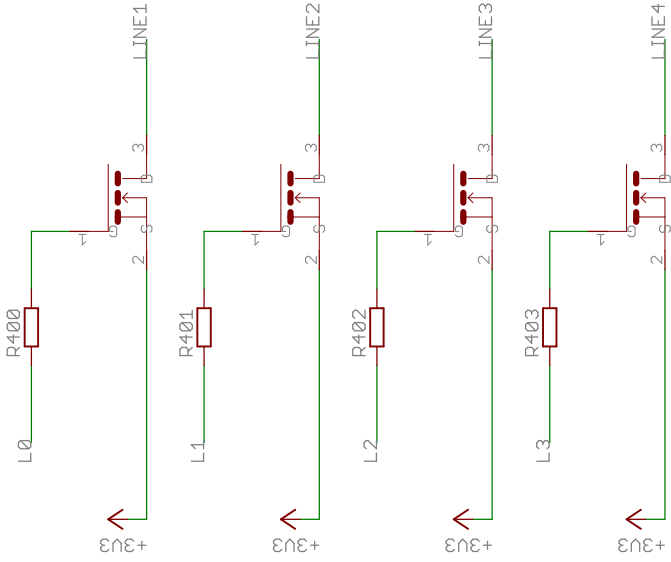
# LED Matrix 2



Tim Hotfilter  
 extensionboard  
 7.11.2009 10:18:56  
 Sheet: 2/4

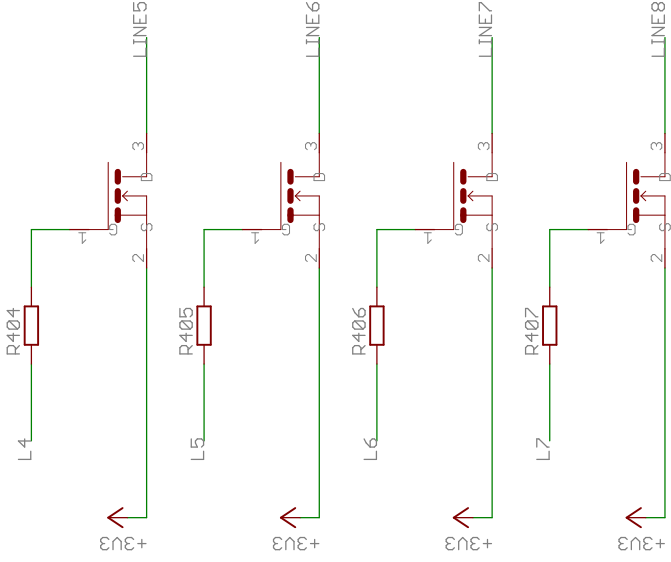


# MOSFETS

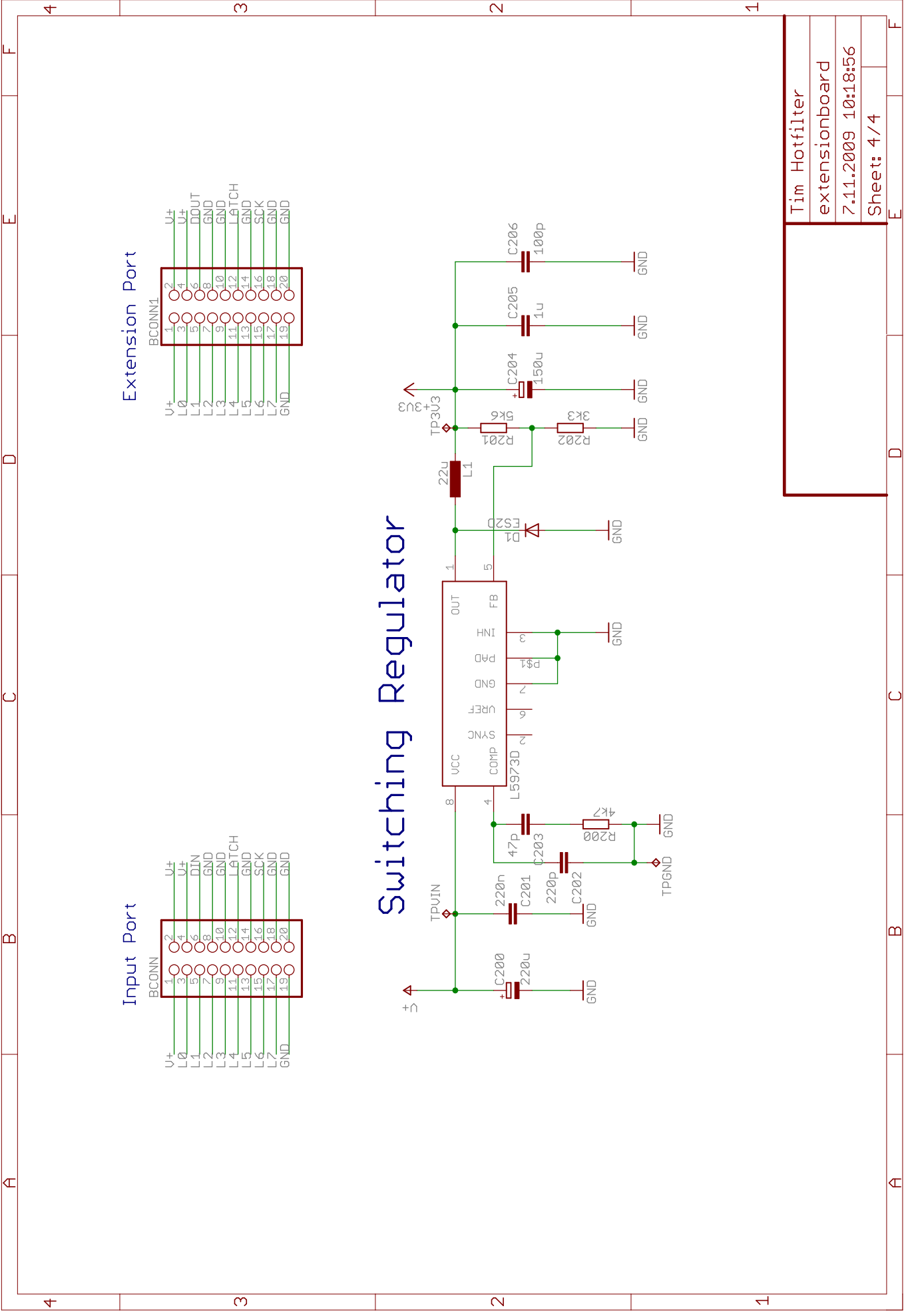


all R = 10k

Mosfets = IRLML6401



Tim Hotfilter
extensionboard
7.11.2009 10:18:56
Sheet: 3/4



Tim Hotfilter  
 extensionboard  
 7.11.2009 10:18:56  
 Sheet: 4/4