

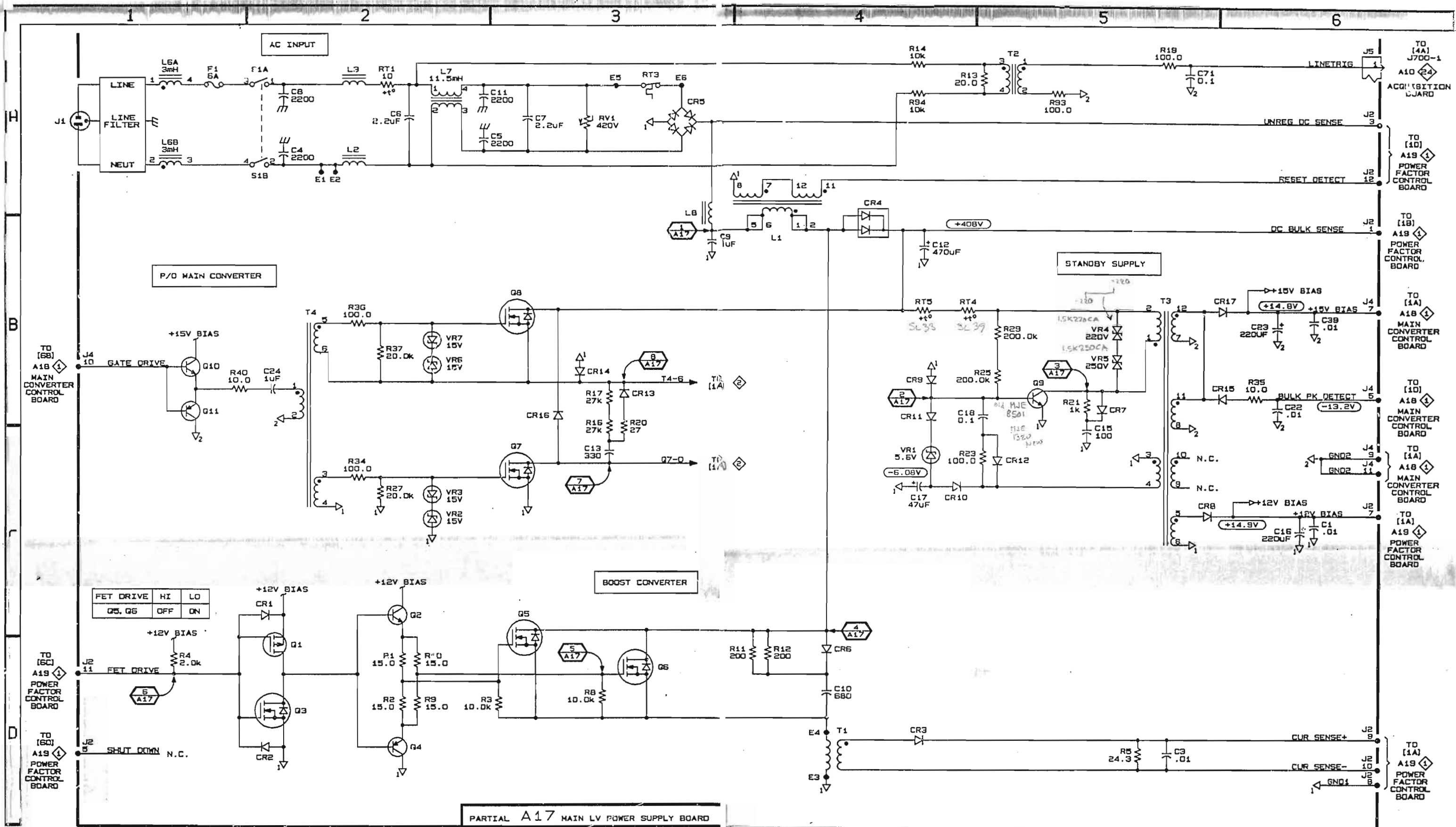
MAIN LV POWER SUPPLY BOARD

A18 MAIN CONVERTER CONTROL BOARD

544A

LOW VOLTAGE POWER SUPPLY BLOCK DIAGRAM A17



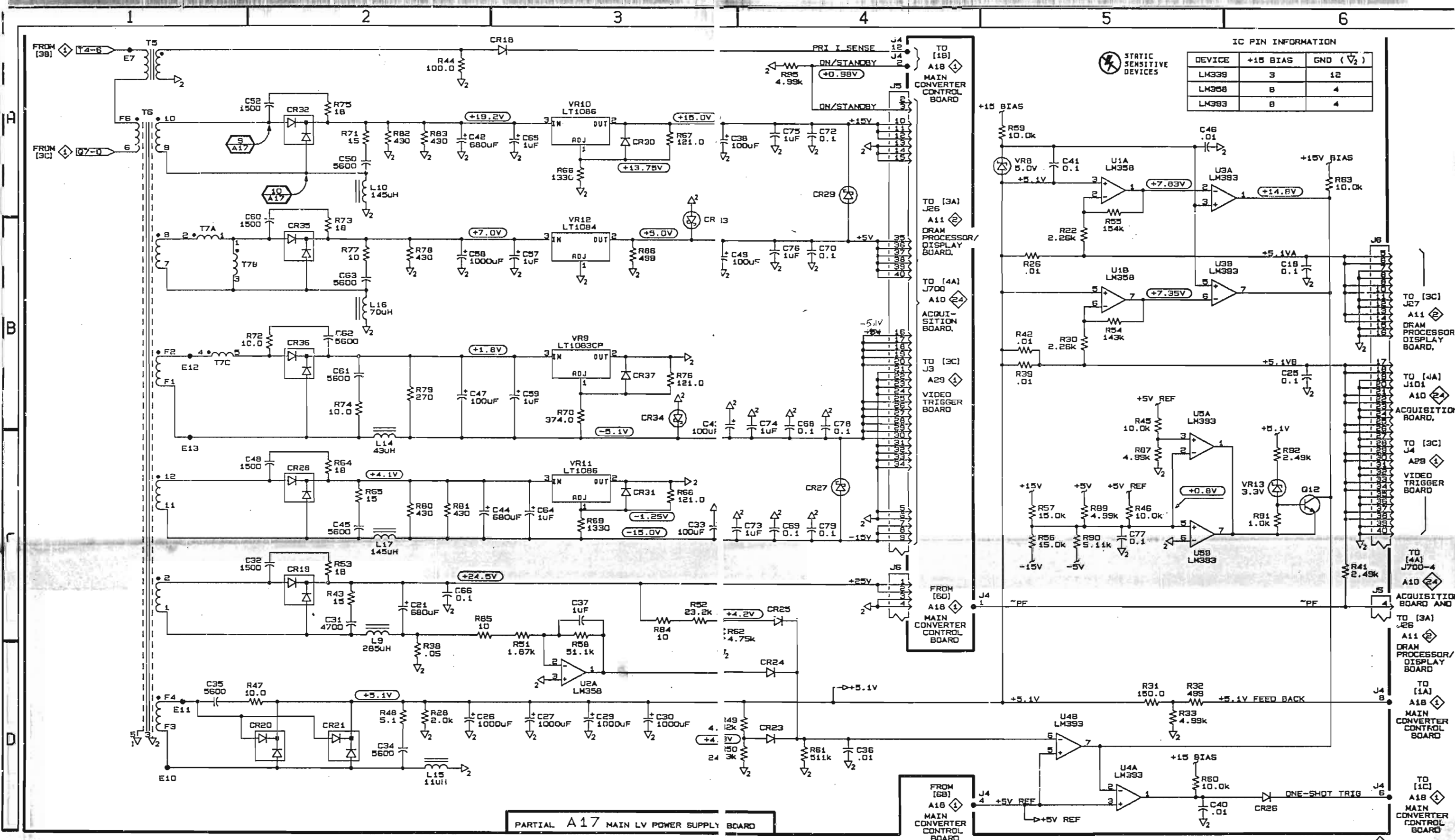


PARTIAL A17 MAIN LV POWER SUPPLY BOARD

TDS 544A

119-4415-01

AC INPUT, STANDBY SUPPLY, AND CONVERTERS A17



IC PIN INFORMATION

DEVICE	+15 BIAS	GND (V ₂)
LM339	3	12
LM358	8	4
LM393	8	4

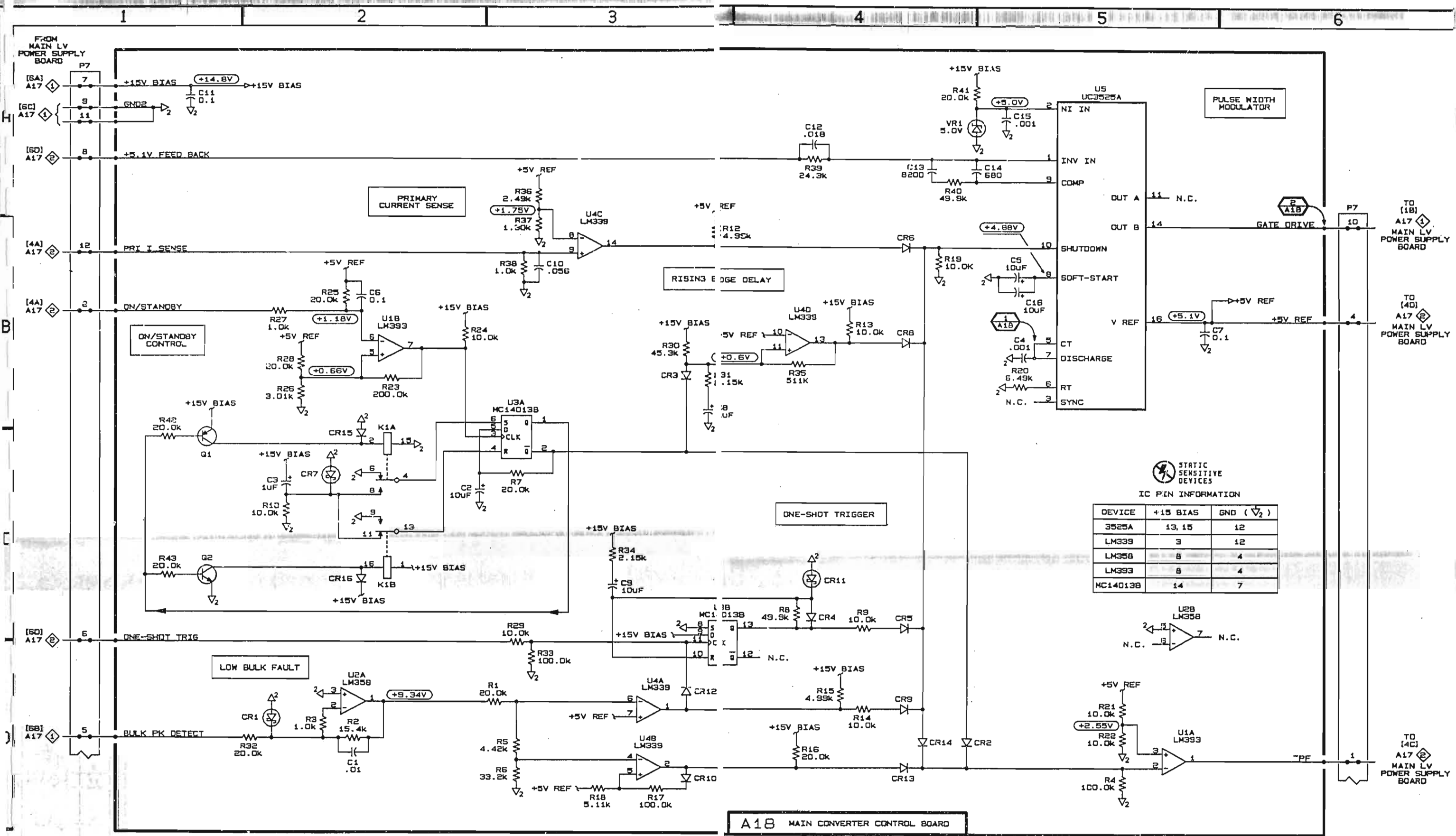
STATIC SENSITIVE DEVICES

PARTIAL A17 MAIN LV POWER SUPPLY BOARD

118-4415-01

TDS 544A

MAIN CONVERTER A17



STATIC SENSITIVE DEVICES

IC PIN INFORMATION

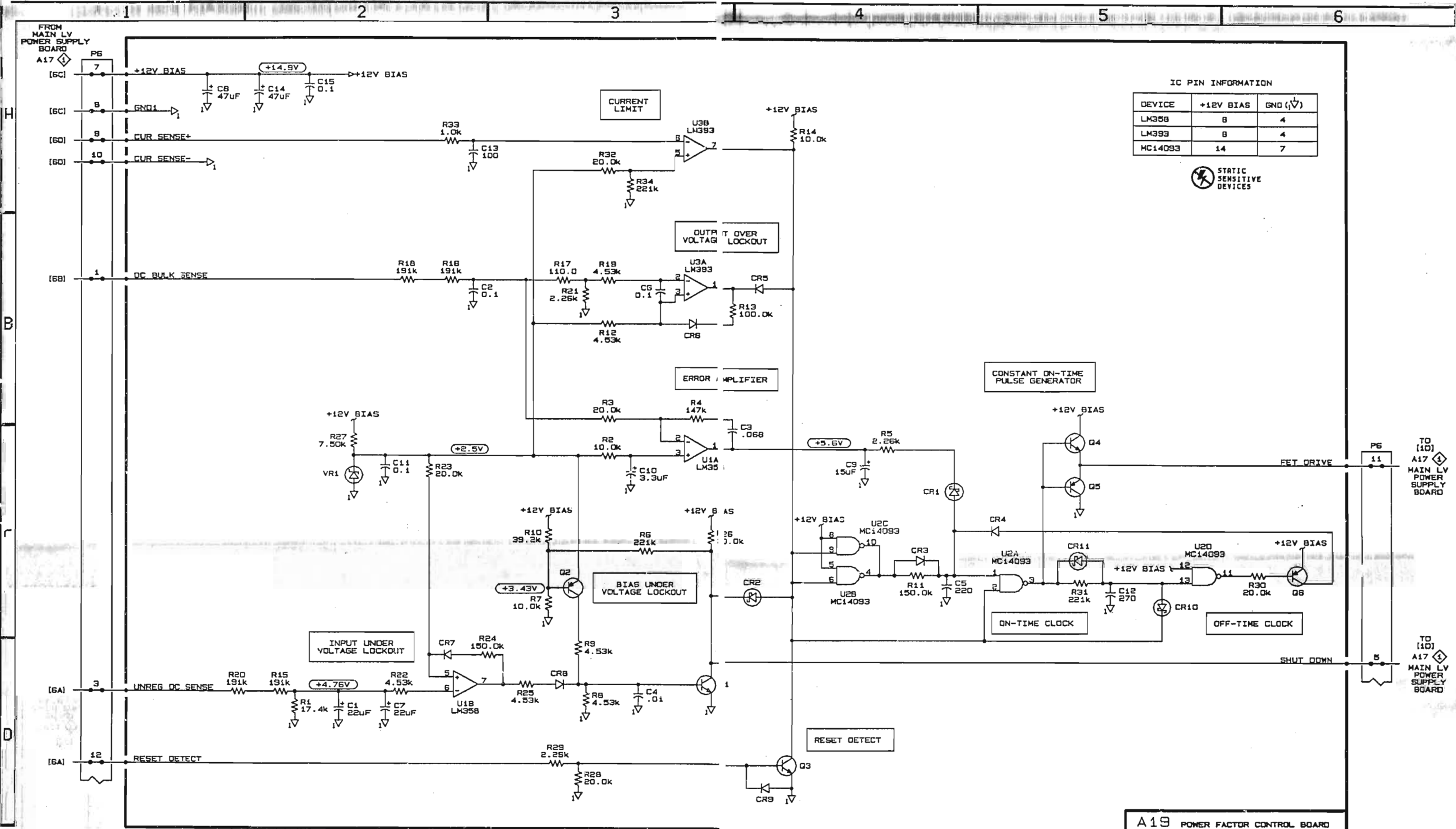
DEVICE	+15 BIAS	GND (V ₂)
3525A	13, 15	12
LM339	3	12
LM358	8	4
LM393	8	4
MC14013B	14	7

TDS 544A

A18 MAIN CONVERTER CONTROL BOARD

119-4415-01

MAIN CONVERTER CONTROL A18 1



IC PIN INFORMATION

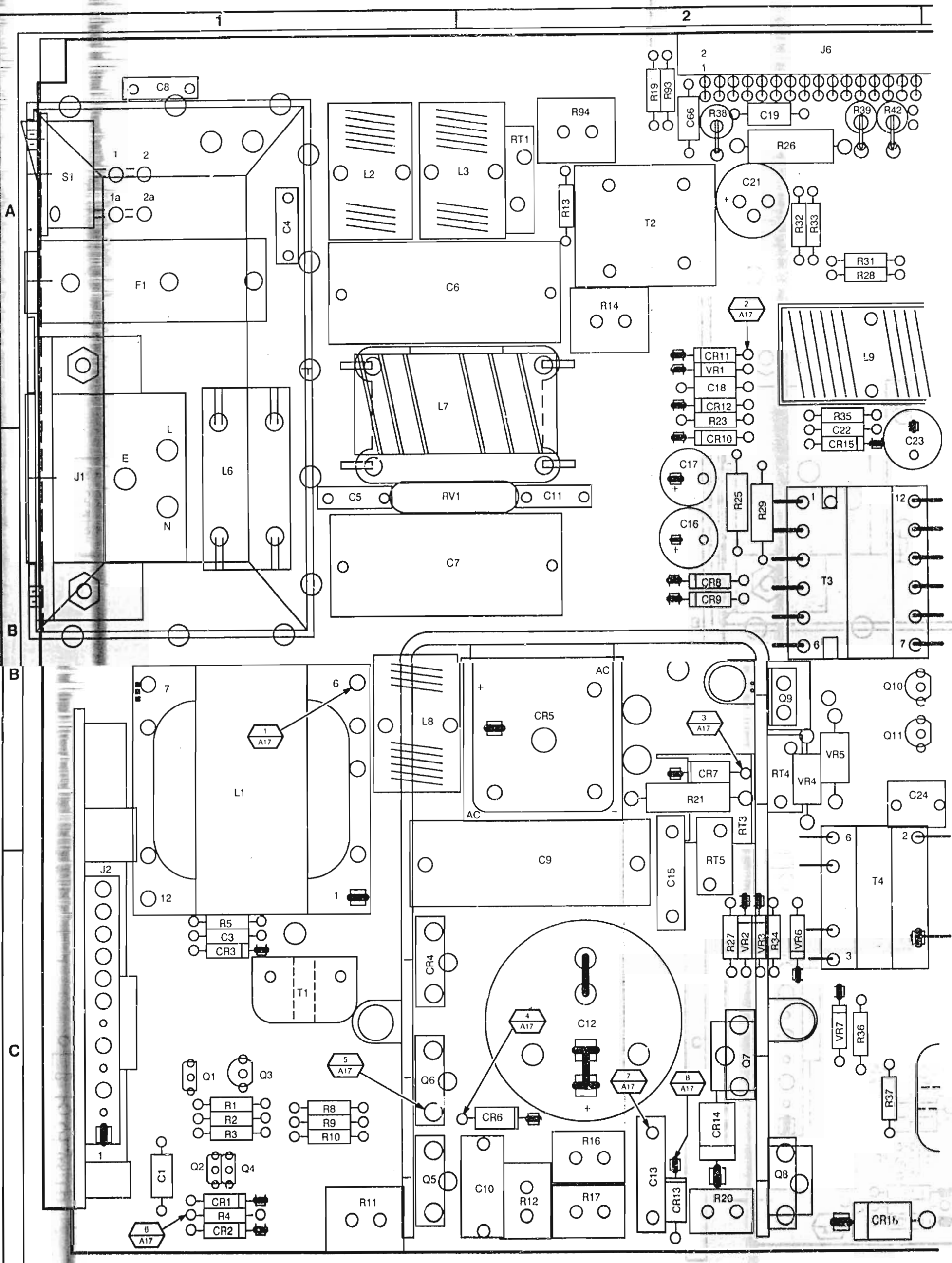
DEVICE	+12V BIAS	GND (V)
LM358	8	4
LM393	8	4
MC14093	14	7

⚡ STATIC SENSITIVE DEVICES

TDS 544A

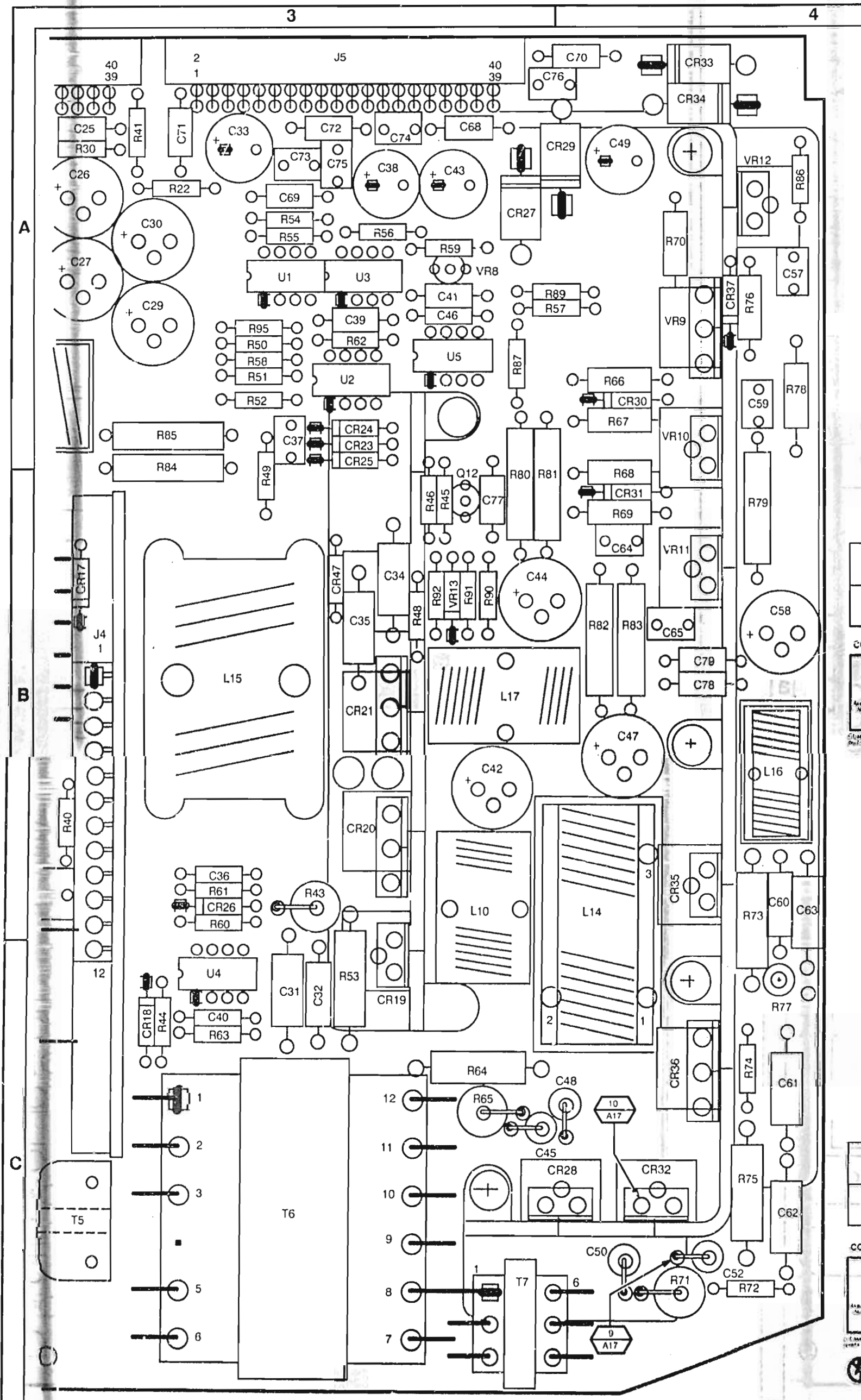
POWER FACTOR CONTROL A19

A19 POWER FACTOR CONTROL BOARD



(A)
(C)
COMPONE
A2
STA
SEN
DEV

(A)
(C)
COMPONE
A2
STA
SEN
DEV



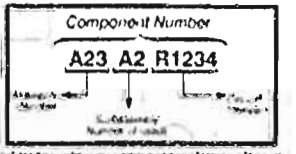
(A)	(B)
(C)	(D)

COMPONENT NUMBER EXAMPLE

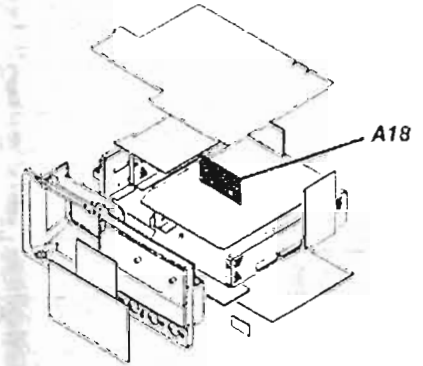
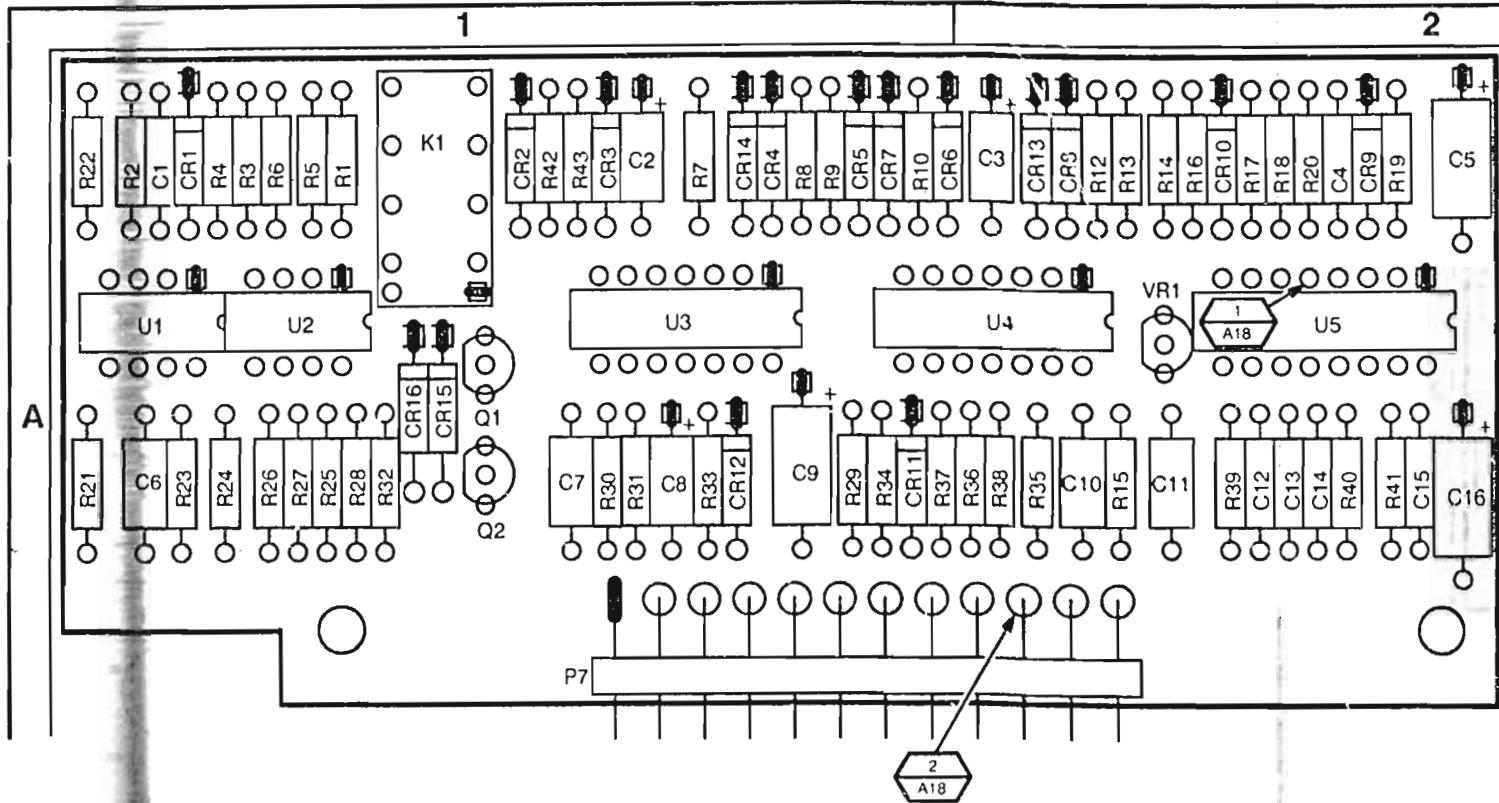


(A)	(B)
(C)	(D)

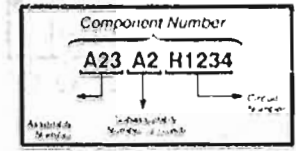
COMPONENT NUMBER EXAMPLE



STATIC SENSITIVE DEVICES

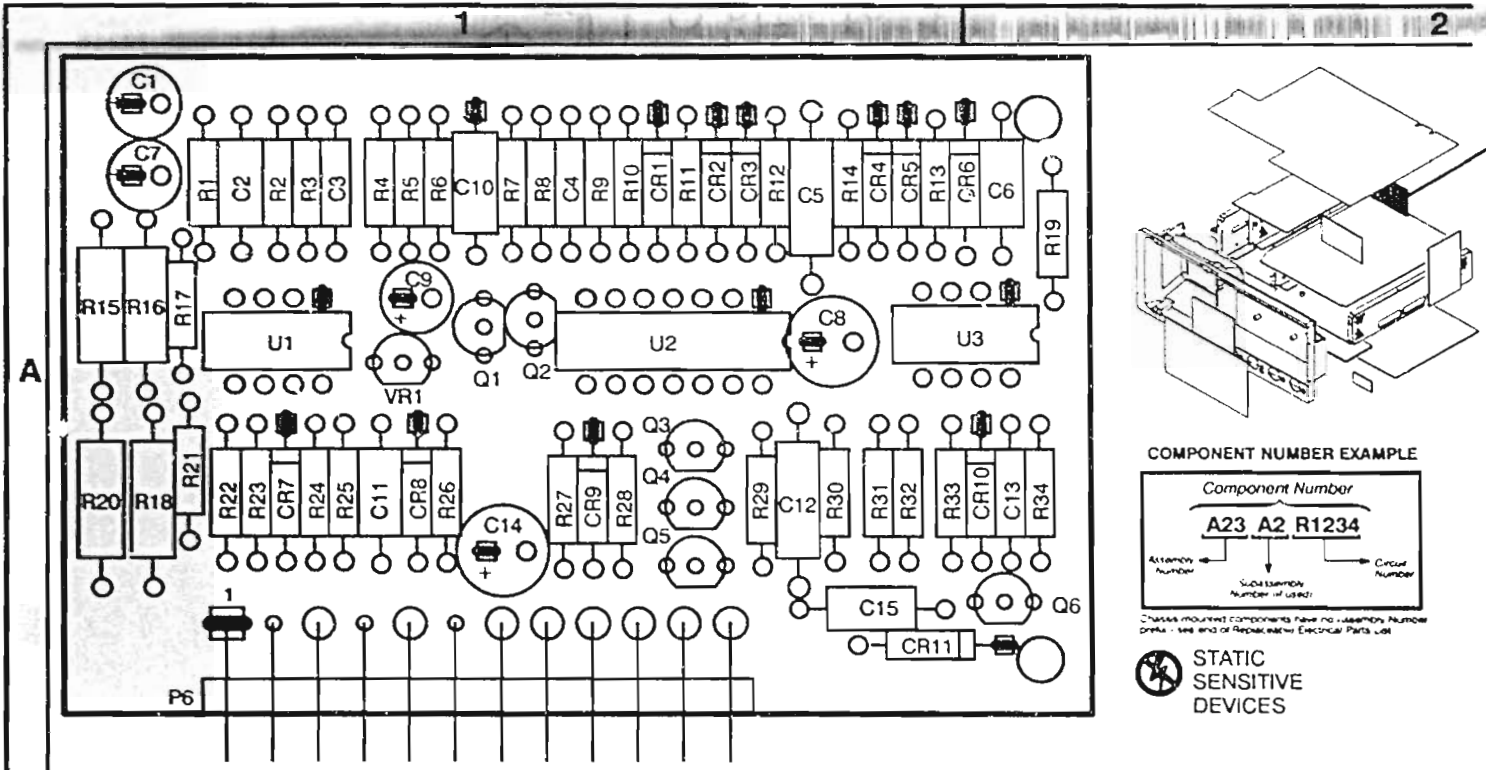


COMPONENT NUMBER EXAMPLE



Use this number to identify components in the Assembly Manual.
 (A1) Use only of this number in the Parts List.





Vol. 2 Figure 9-146: A19 Power Factor Control Board