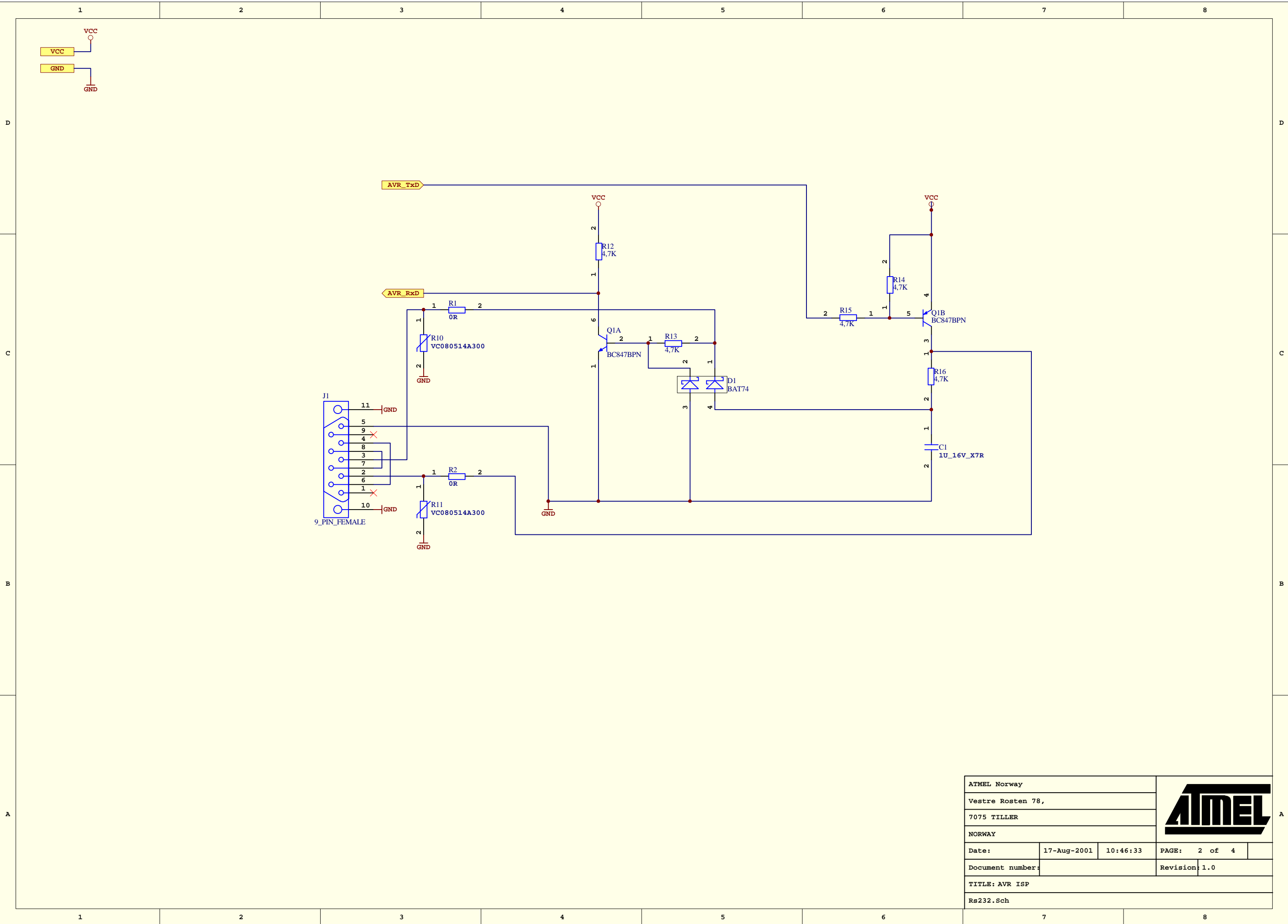
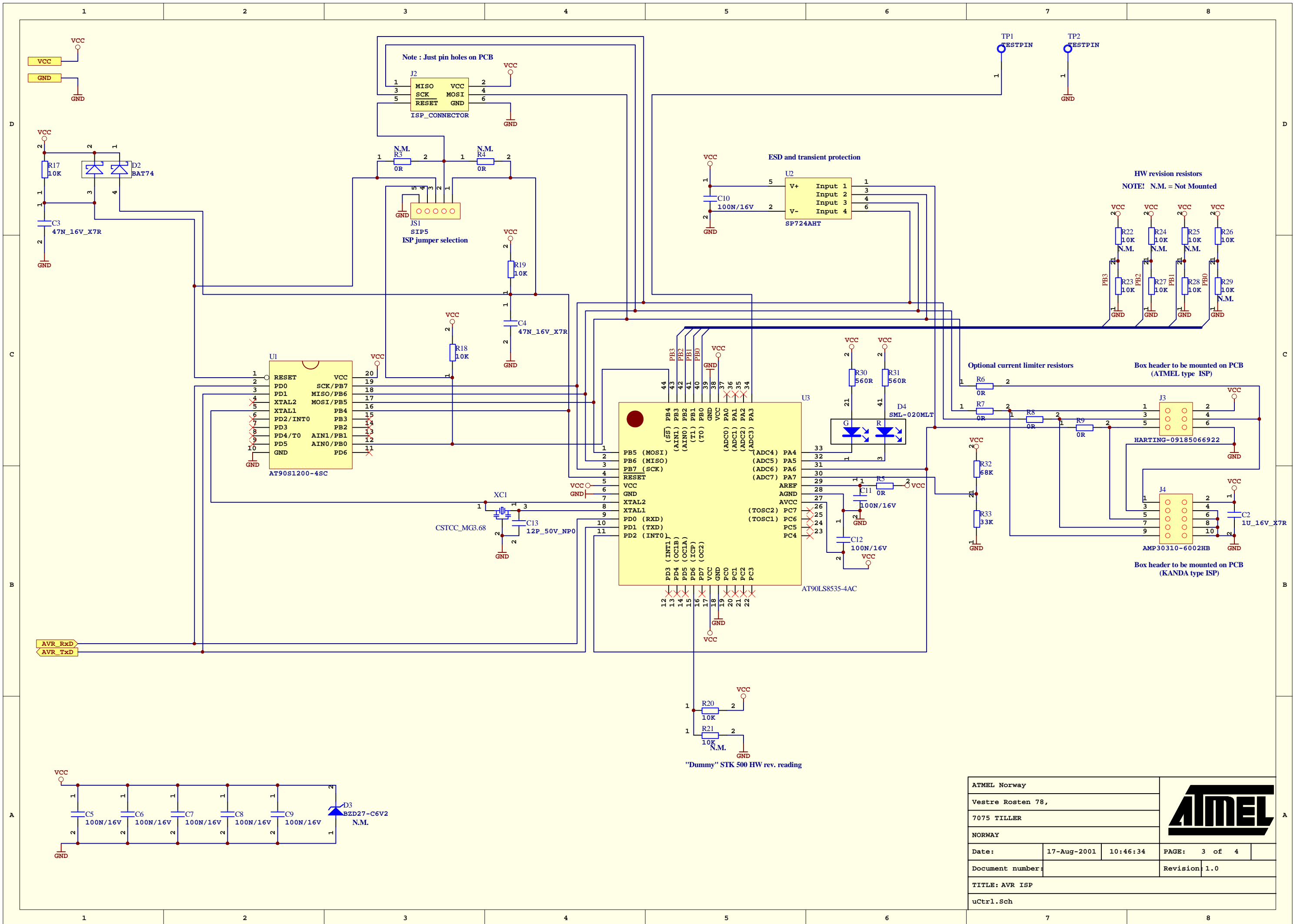


ATMEL Norway			
Vestre Rosten 78,			
7075 TILLER			
NORWAY			
Date:	17-Aug-2001	10:46:33	PAGE: 1 of 4
Document number:			Revision: 1.0
TITLE: AVR ISP			
mother.Sch			



ATMEL Norway				
Vestre Rosten 78,				
7075 TILLER				
NORWAY				
Date:	17-Aug-2001	10:46:33	PAGE: 2 of 4	
Document number:			Revision: 1.0	
TITLE: AVR ISP				
Rs232.Sch				



ATMEL Norway				
Vestre Rosten 78,				
7075 TILLER				
NORWAY				
Date:	17-Aug-2001	10:46:34	PAGE:	3 of 4
Document number:			Revision:	1.0
TITLE: AVR ISP				
uCtrl1.Sch				

1

2

3

4

5

6

7

8

D

D

C

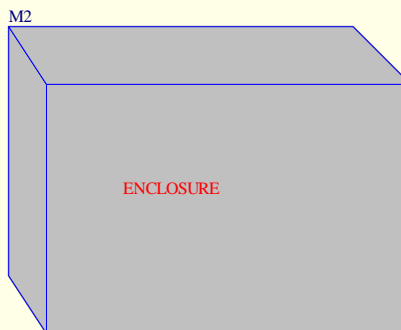
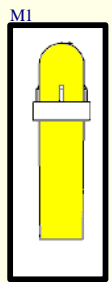
C

B

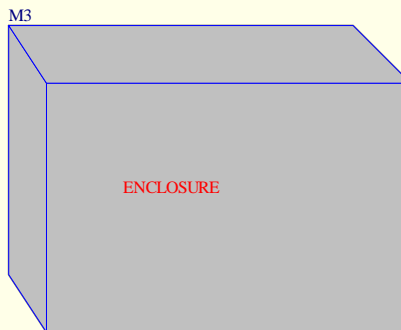
B

A

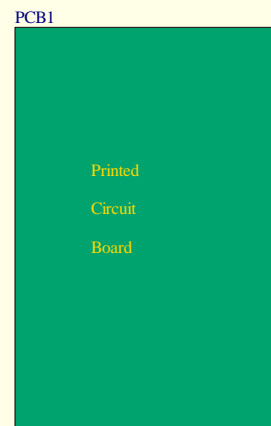
A



AVRISP ENCLOSURE BOTTOM



AVRISP ENCLOSURE TOP



AVRISP A0003.3.1000.A

ATMEL Norway				
Vestre Rosten 78,				
7075 TILLER				
NORWAY				
Date:	17-Aug-2001	10:46:35	PAGE:	4 of 4
Document number:			Revision:	1.0
TITLE: AVR ISP				
Mechanics.Sch				

1

2

3

4

5

6

7

8