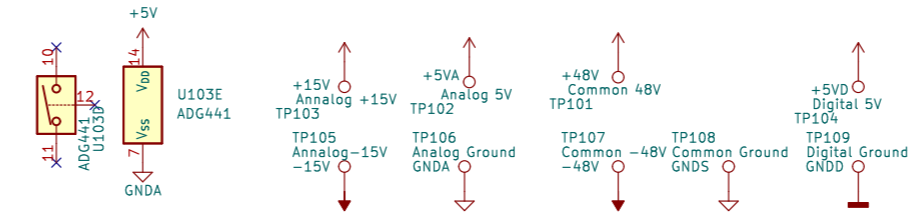
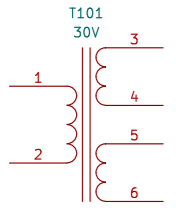
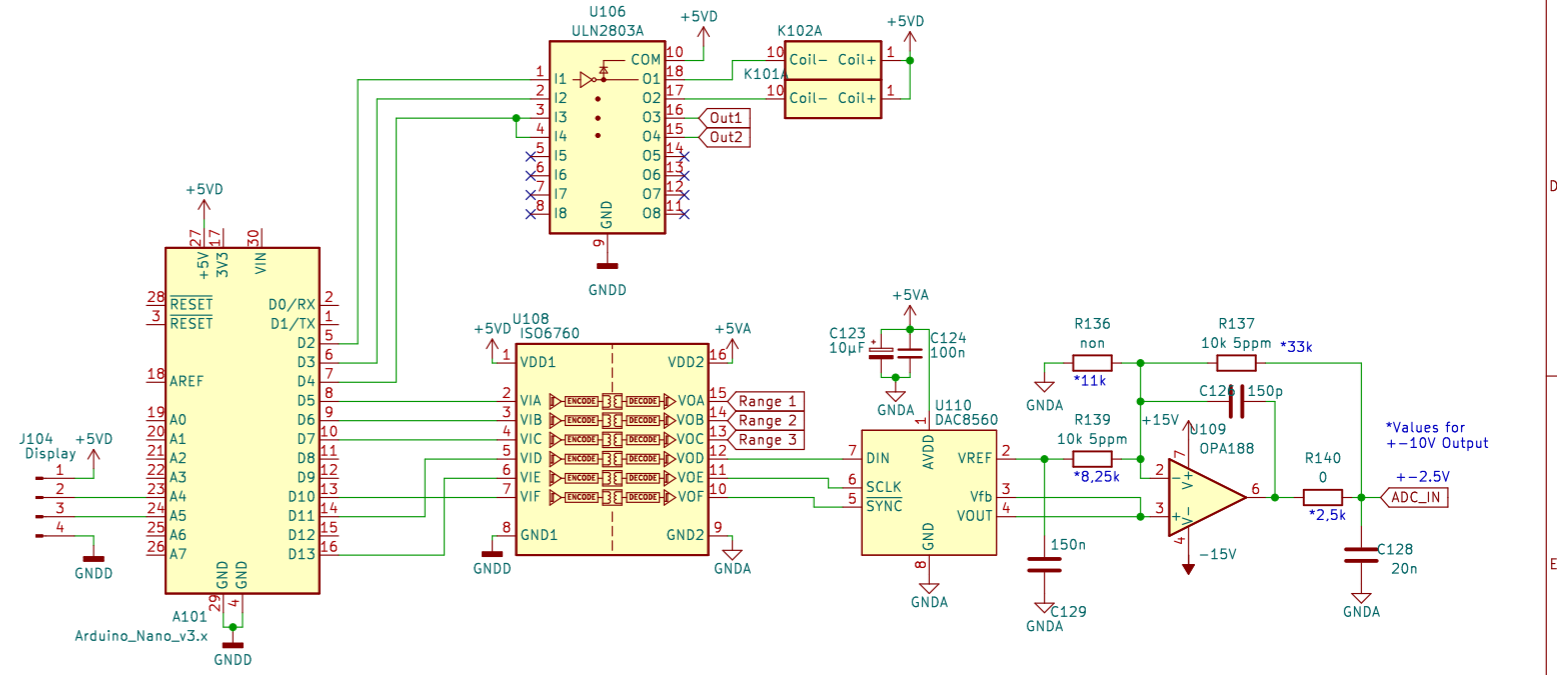
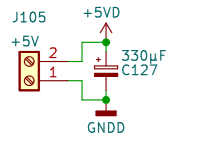
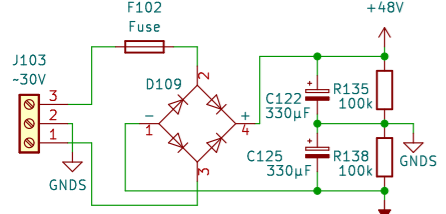
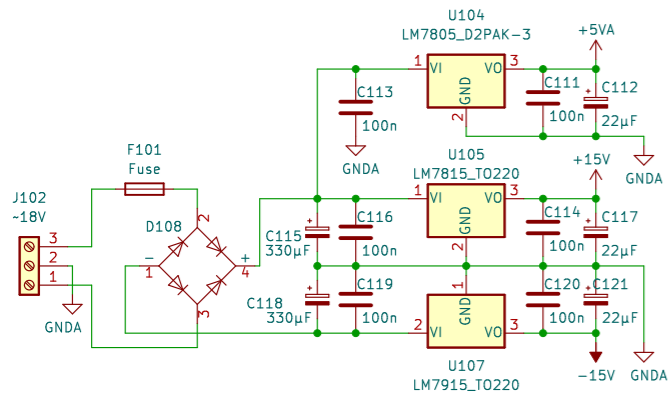
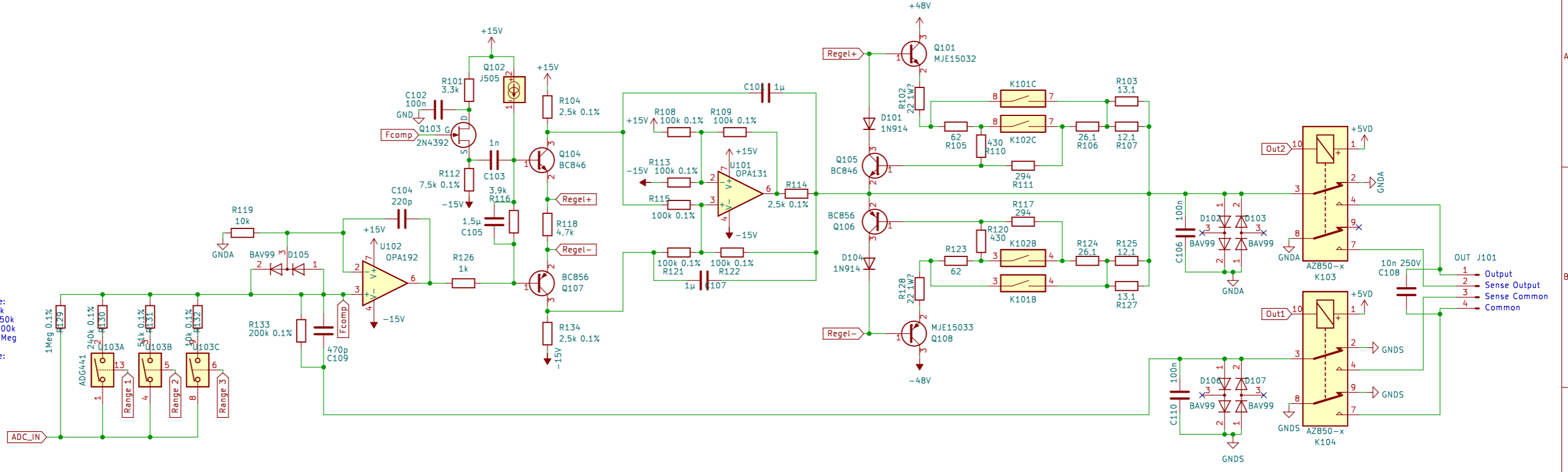


Voltage Range:
 50V => 10k
 10V => 50k
 2.5V => 200k
 500mV => 1Meg

Current Range:
 100mA
 20mA
 2mA



Stefan Weiß

Sheet:
 File: 16Bit Voltage Source.kicad_sch
Title: 16Bit Voltage Source
 Size: A3 Date: 2024-04-08
 KiCad E.D.A. kicad (7.0.0)

Rev: V1.1
 Id: 1/1