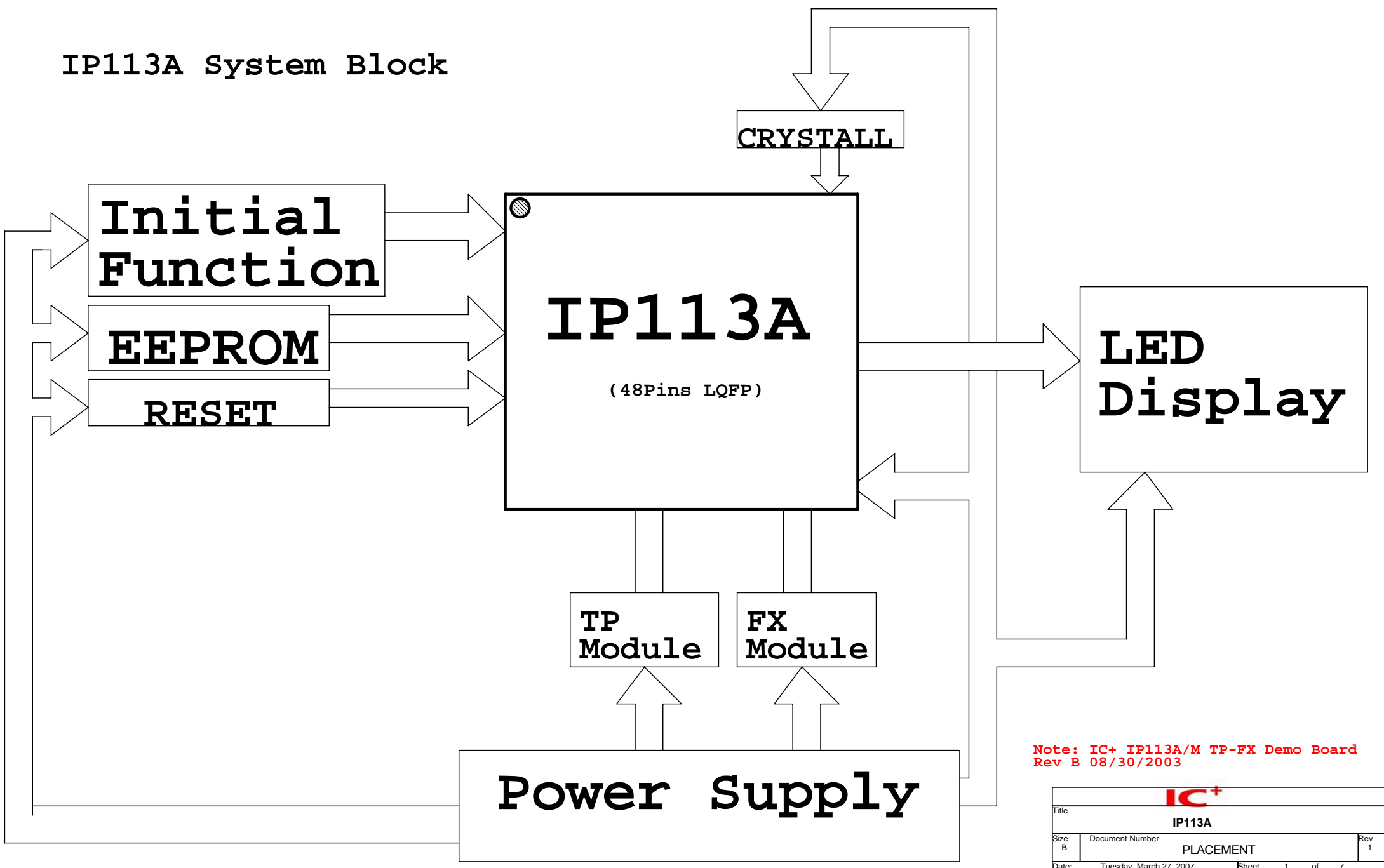


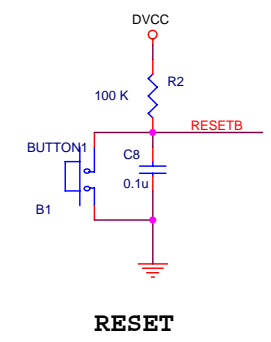
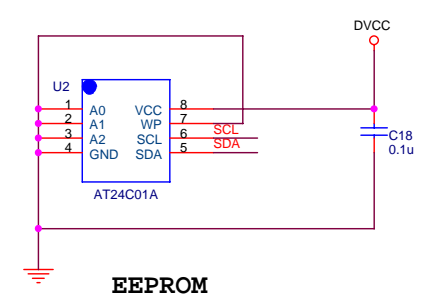
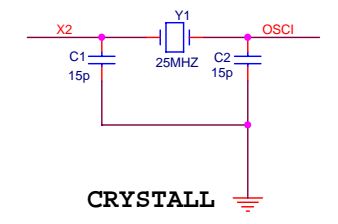
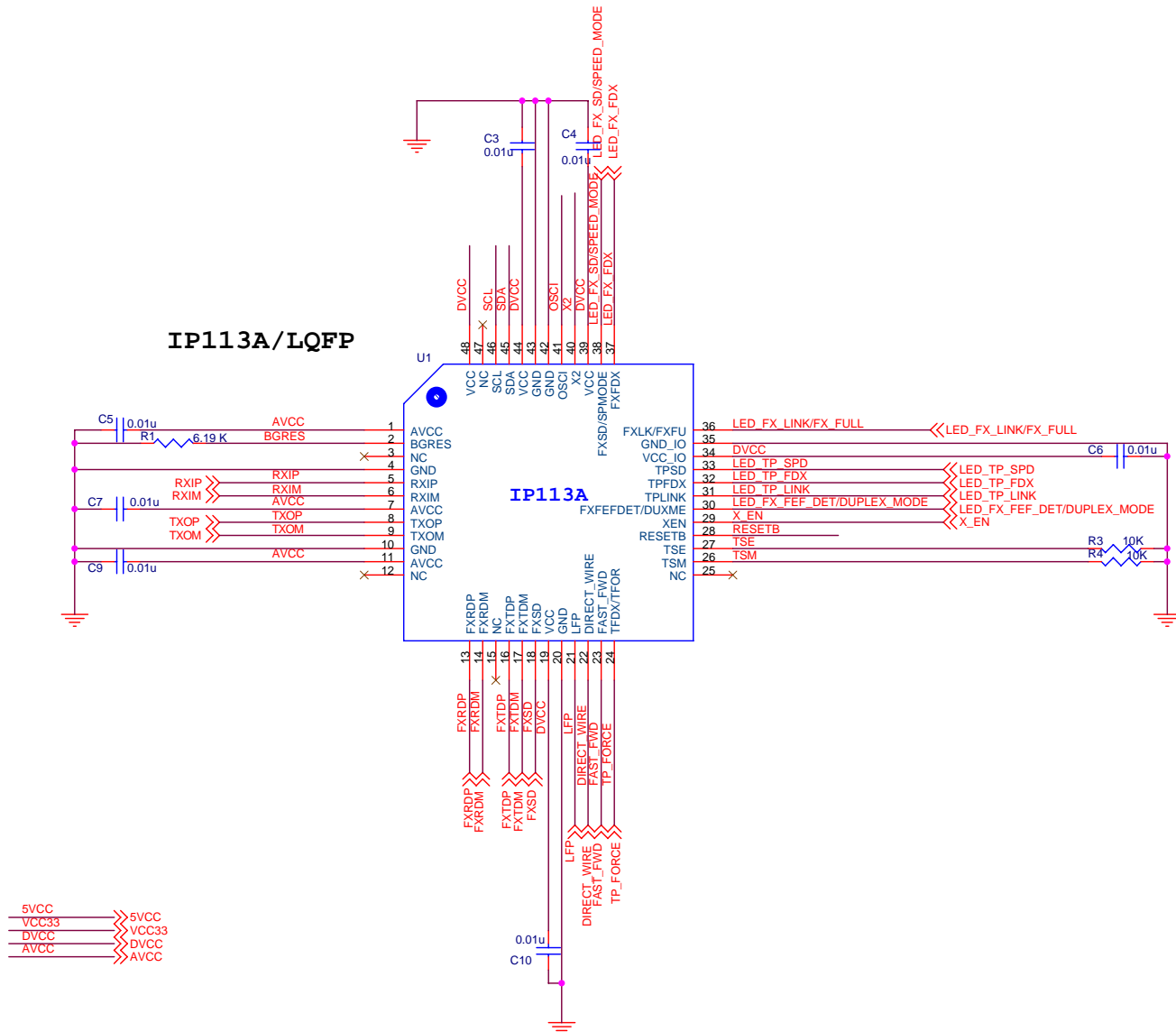
IP113A System Block

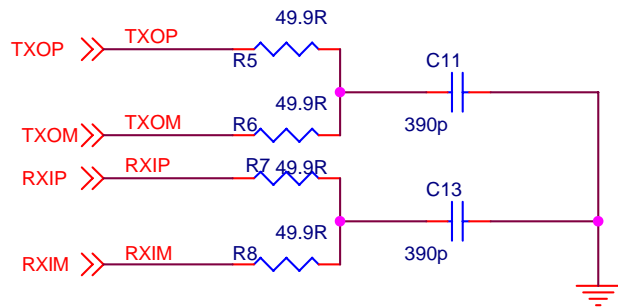


Note: IC+ IP113A/M TP-FX Demo Board
Rev B 08/30/2003

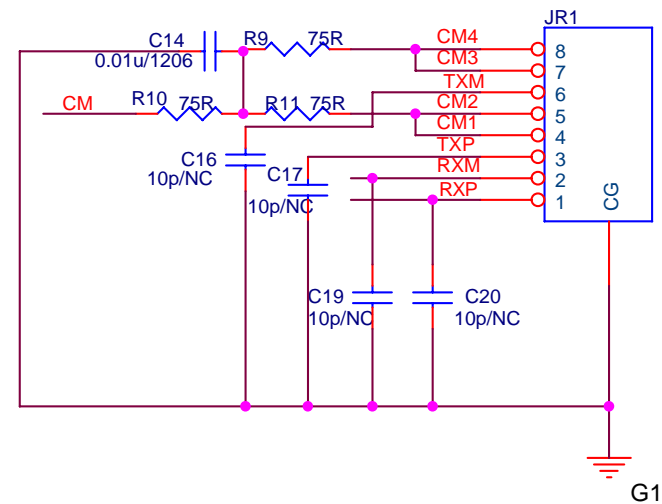
IC+		
Title IP113A		
Size B	Document Number PLACEMENT	Rev 1
Date: Tuesday, March 27, 2007	Sheet 1	of 7

IP113A/LQFP

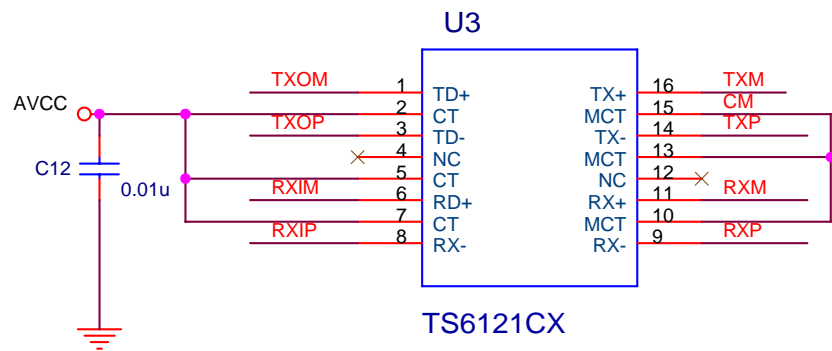




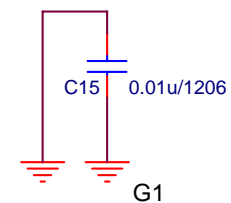
TRANSFORMER



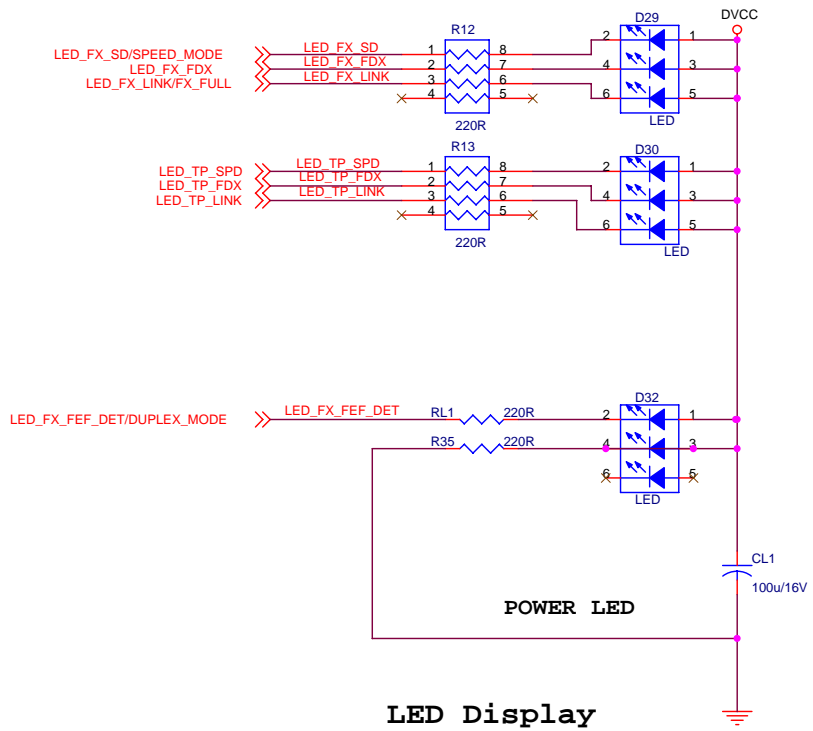
RJ45



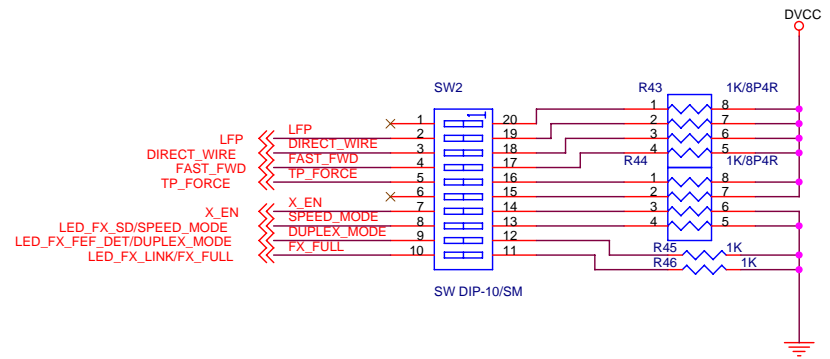
TS6121CX



IC+		
Title IP113A		
Size A	Document Number Transformer ; RJ45	Rev 1
Date: Tuesday, March 27, 2007	Sheet 3	of 7



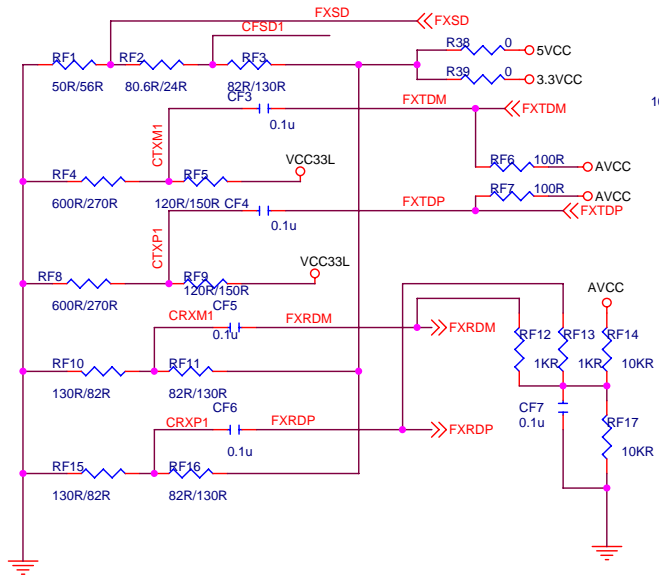
LED Display



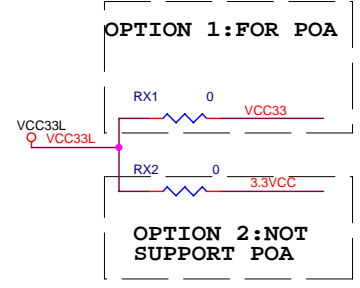
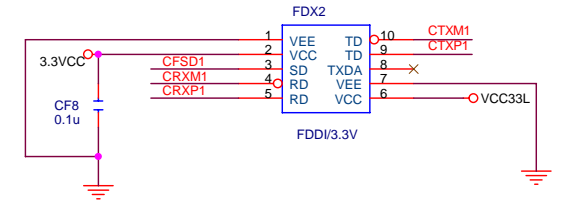
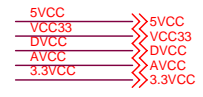
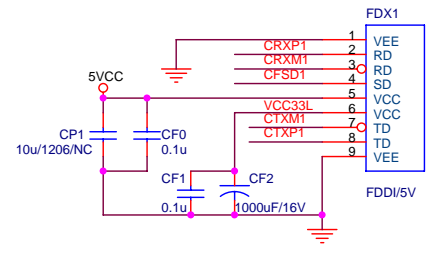
FUNCTION SETTING (OPTION)



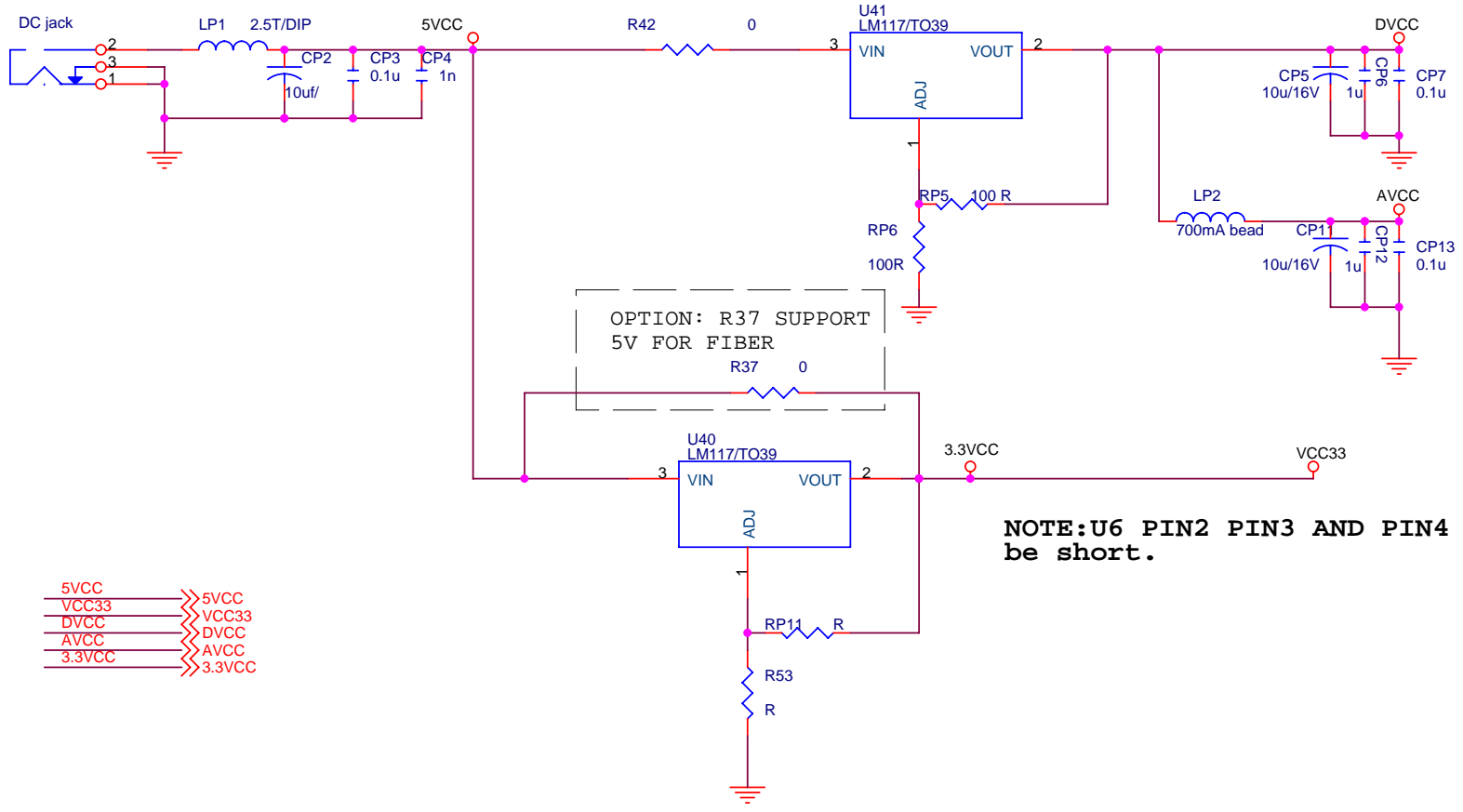
IC⁺		
IP113A		
Title	LED ; SEETING FUNCTION	
Size B	Document Number	Rev 1
Date:	Tuesday, March 27, 2007	Sheet 4 of 7



NOTE: Above register (5 V FIBER REGISTER / 3.3V FIBER REGISTER)



NOTE1: 1.SUPPORT 3.3 V : ADD RP11,R53,U40 REMOVE R37
 2.SUPPORT 5 V : ADD R37 ; REMOVE RP11 ,R53 ,U40



OPTION: R37 SUPPORT
 5V FOR FIBER

NOTE:U6 PIN2 PIN3 AND PIN4 must
 be short.

5VCC → 5VCC
 VCC33 → VCC33
 DVCC → DVCC
 AVCC → AVCC
 3.3VCC → 3.3VCC

IC+		
Title IP113A		
Size Custom	Document Number POWER	Rev 1
Date: Tuesday, March 27, 2007	Sheet 6	of 7